

US00D839155S

(12) **United States Design Patent**
McDougall

(10) **Patent No.:** **US D839,155 S**
(45) **Date of Patent:** **** Jan. 29, 2019**

(54) **BRAKE COVER PLATE** 8,800,727 B2 * 8/2014 Miller F16D 65/186
188/71.6
(71) Applicant: **Advanced Braking Pty Ltd**, Osborne 9,140,324 B2 * 9/2015 Boonpongmanee
Park, Western Australia (AU) F16D 25/0638

(72) Inventor: **Robert McDougall**, Woodvale (AU)
(73) Assignee: **Advanced Braking Pty. Ltd.**, Osborne
Park (AU)

(**) Term: **15 Years**

(21) Appl. No.: **29/585,848**

(22) Filed: **Nov. 29, 2016**

(30) **Foreign Application Priority Data**

May 31, 2016 (AU) 201612928
(51) **LOC (11) Cl.** **12-16**
(52) **U.S. Cl.**
USPC **D12/180**
(58) **Field of Classification Search**
USPC D12/160, 180
CPC F16D 65/128; F16D 65/12; F16D 65/123;
F16D 65/127; F16D 2065/1328
See application file for complete search history.

(56) **References Cited**

U.S. PATENT DOCUMENTS

8,794,414 B2 * 8/2014 Culmer F16D 65/186
188/264 D

OTHER PUBLICATIONS

ABT Terra DUra brake brochure, undated, 2 pages. Found online
Apr. 17, 2018 at https://www.advancedbraking.com/sites/default/files/Terra_Dura.PDF (Year: 2018).*

* cited by examiner

Primary Examiner — Robert M. Spear
(74) *Attorney, Agent, or Firm* — Brinks Gilson & Lione

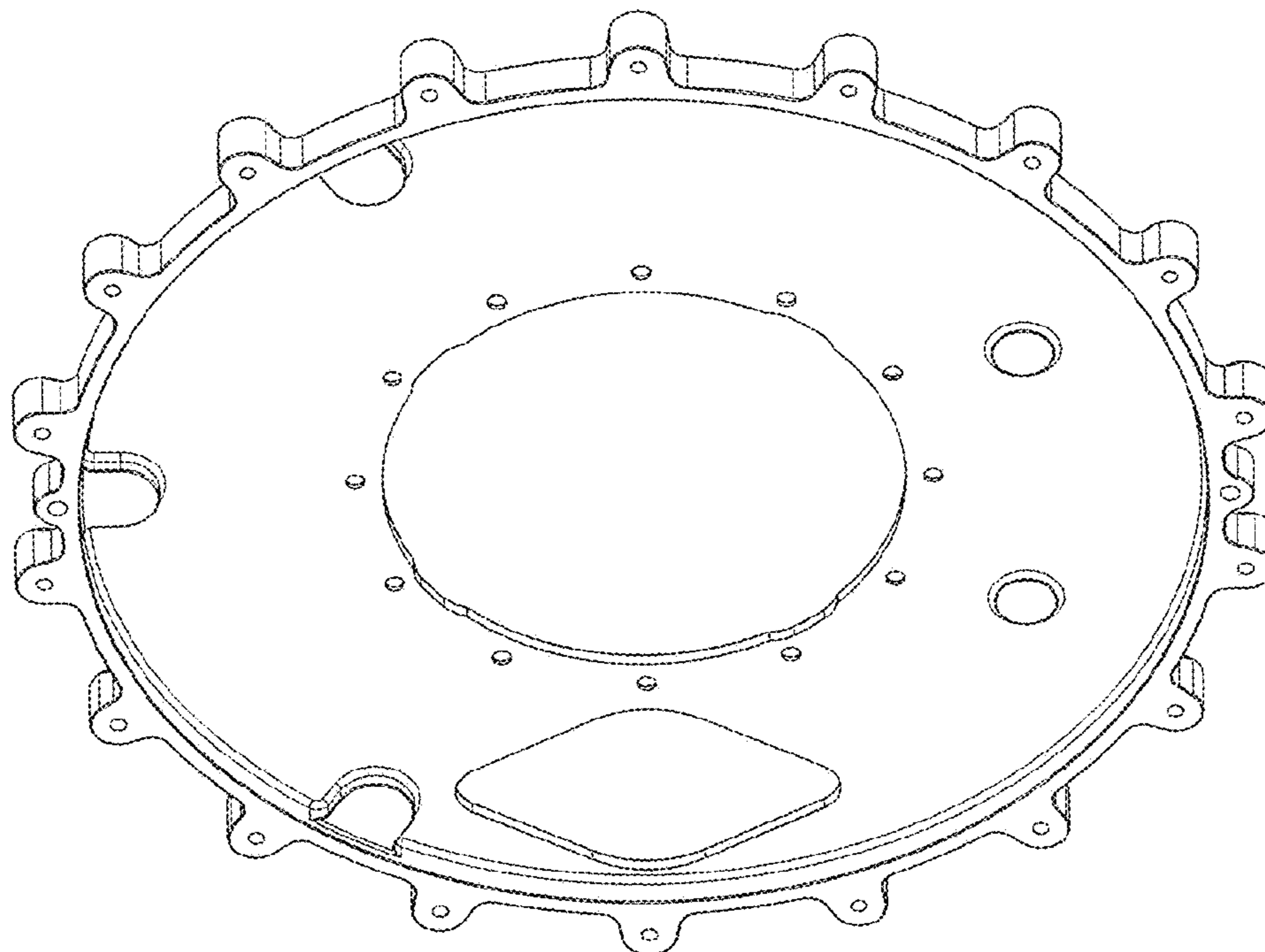
(57) **CLAIM**

The ornamental design for a brake cover plate, substantially
as shown and described.

DESCRIPTION

FIG. 1 is a front perspective view of the brake cover plate;
FIG. 2 is a front view of the brake cover plate;
FIG. 3 is a rear perspective view of the brake cover plate;
FIG. 4 is a rear view of the brake cover plate; and,
FIG. 5 is a side view of the brake cover plate.

1 Claim, 5 Drawing Sheets



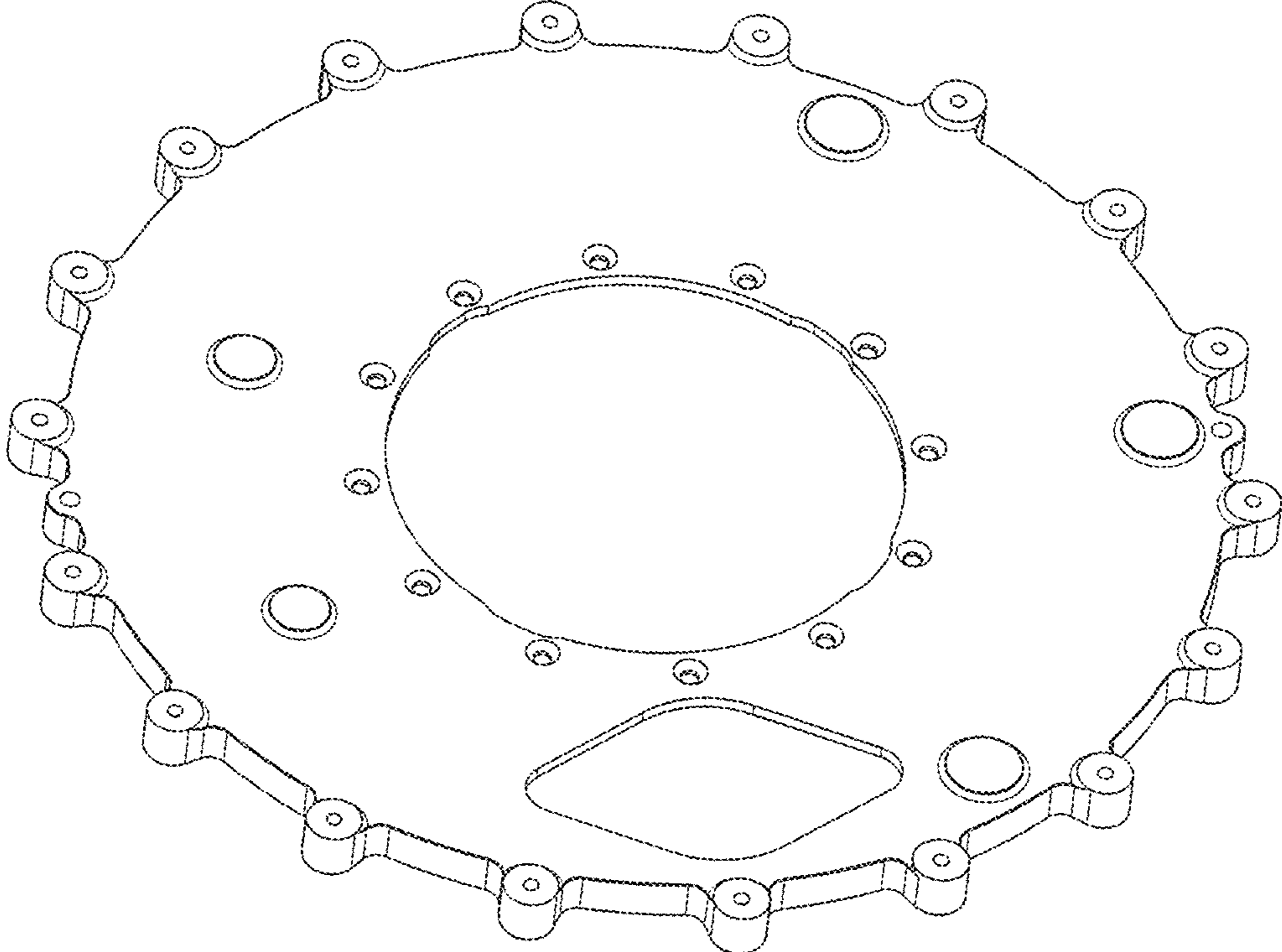


FIG. 1

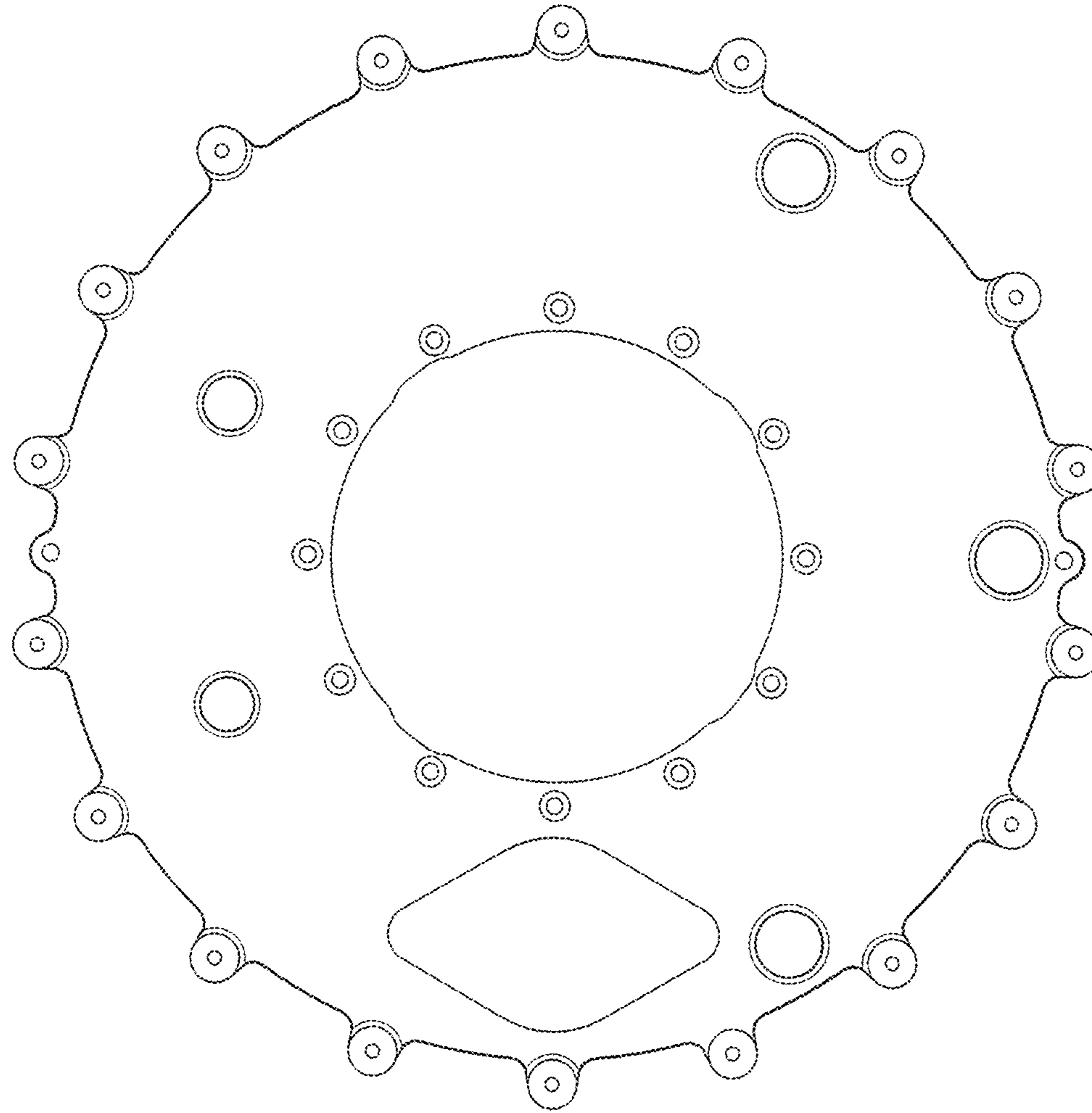


FIG. 2

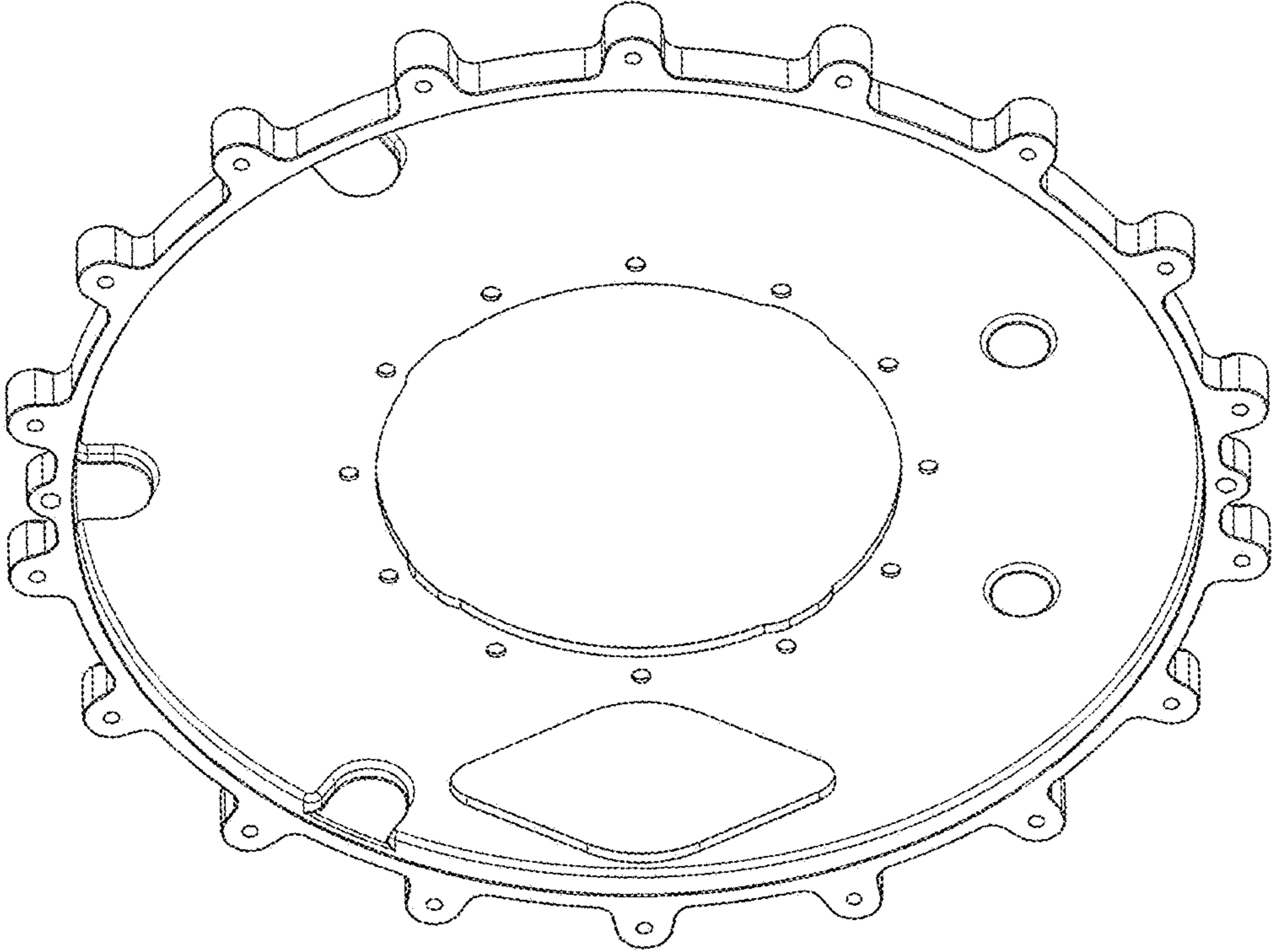


FIG. 3

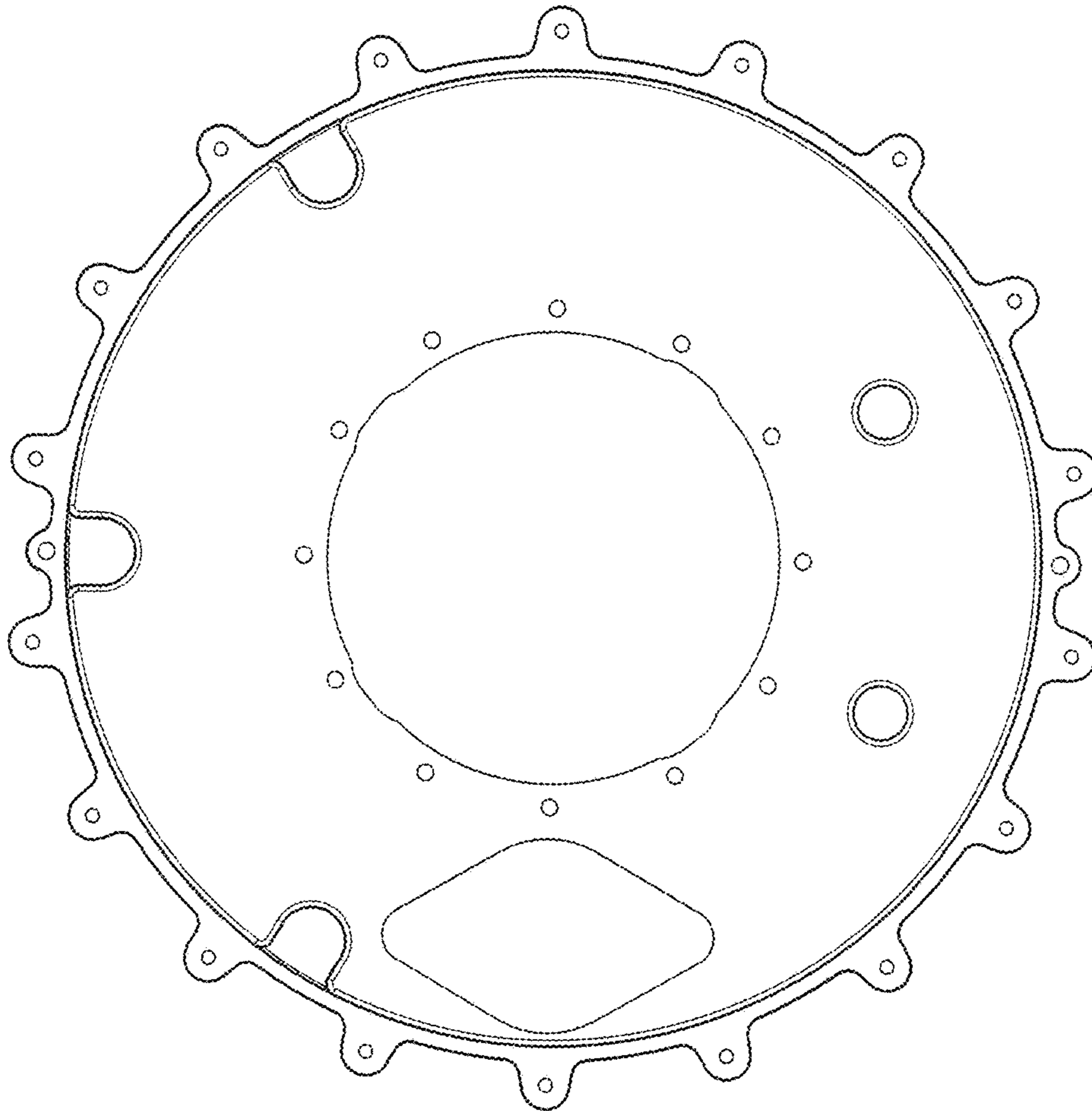


FIG. 4

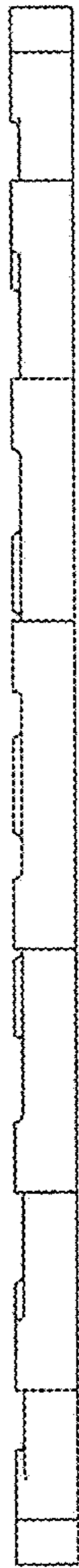


FIG. 5