



US00D839153S

(12) **United States Design Patent**
Wada

(10) **Patent No.:** **US D839,153 S**

(45) **Date of Patent:** **** Jan. 29, 2019**

(54) **FRONT BUMPER FOR AN AUTOMOBILE**

(71) Applicant: **Honda Motor Co., Ltd.**, Tokyo (JP)

(72) Inventor: **Riku Wada**, Wako (JP)

(73) Assignee: **HONDA MOTOR CO., LTD.**, Tokyo (JP)

(**) Term: **15 Years**

(21) Appl. No.: **29/631,246**

(22) Filed: **Dec. 28, 2017**

(30) **Foreign Application Priority Data**

Jun. 30, 2017 (JP) 2017-014200

(51) **LOC (11) Cl.** **12-16**

(52) **U.S. Cl.**
USPC **D12/169**

(58) **Field of Classification Search**
USPC D12/169, 102, 113, 115, 117, 120;
296/180.1, 180.2
CPC B60R 19/02; B60R 19/04; B62D 25/08
See application file for complete search history.

(56) **References Cited**

U.S. PATENT DOCUMENTS

D599,704 S * 9/2009 Frenzel D12/91
D602,822 S * 10/2009 Irie D12/169

D756,862 S * 5/2016 Wada D12/169
D801,882 S * 11/2017 Kozub D12/169
D813,740 S * 3/2018 Park D12/169
D820,174 S * 6/2018 Whitla D12/169
D820,175 S * 6/2018 Ishigaki D12/169

* cited by examiner

Primary Examiner — Melody N Brown

(74) *Attorney, Agent, or Firm* — Westerman, Hattori,
Daniels & Adrian, LLP

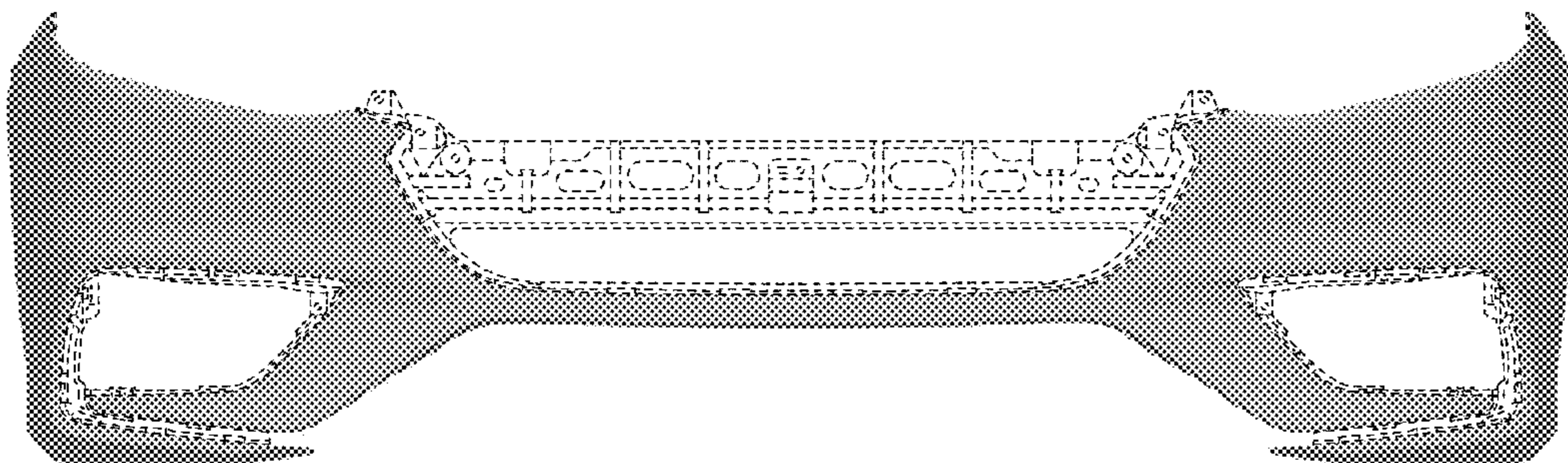
(57) **CLAIM**

The ornamental design for a front bumper for an automobile,
as shown and described.

DESCRIPTION

FIG. 1 is a perspective view of a front bumper for an automobile;
FIG. 2 is a front elevation view thereof;
FIG. 3 is a top plan view thereof; and,
FIG. 4 is a right side elevation view thereof.
The broken lines in the drawings illustrate portions of the front bumper for an automobile that are environmental structures and form no part of the claimed design.

1 Claim, 4 Drawing Sheets



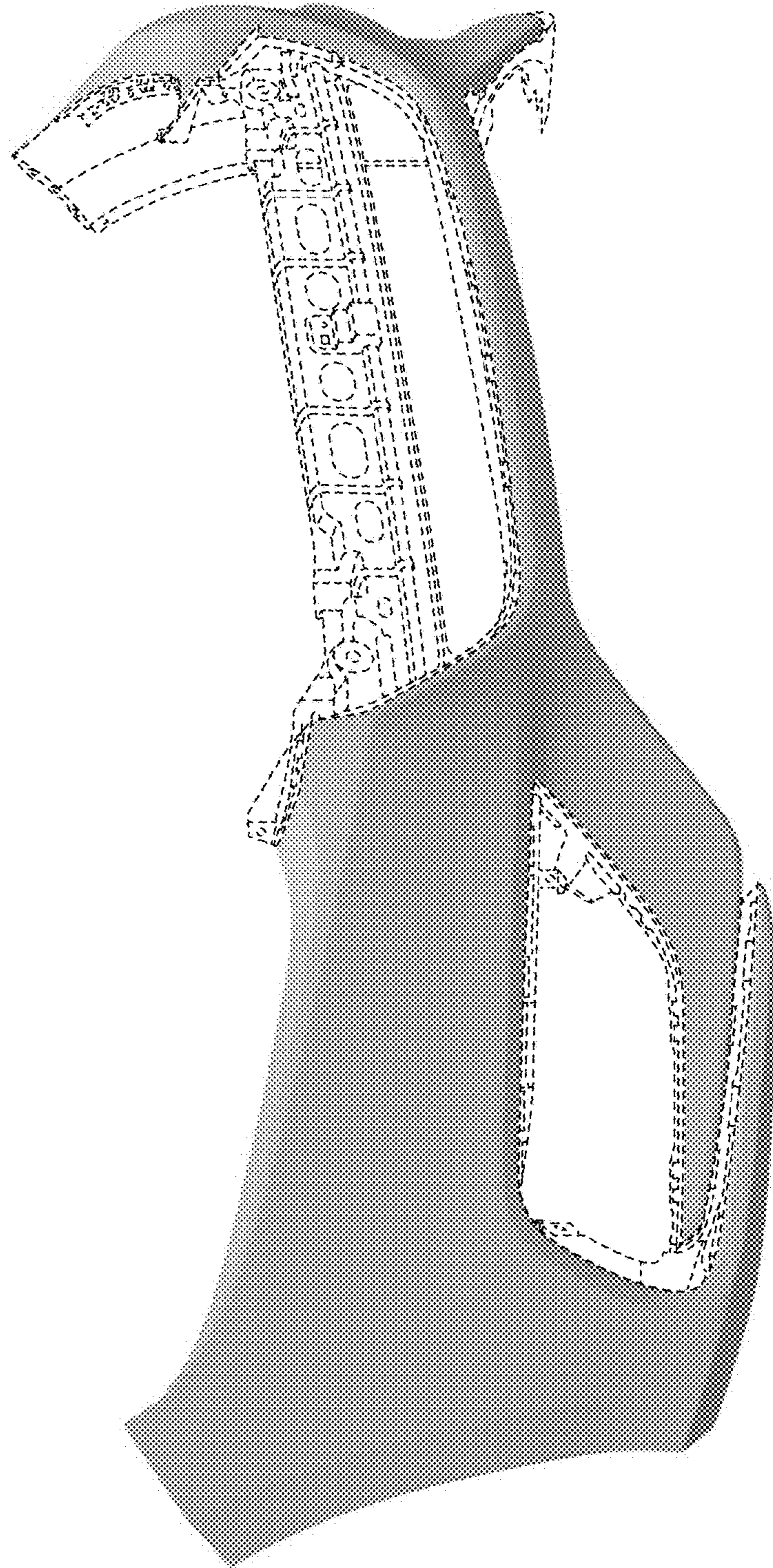


Fig.1

Fig. 2

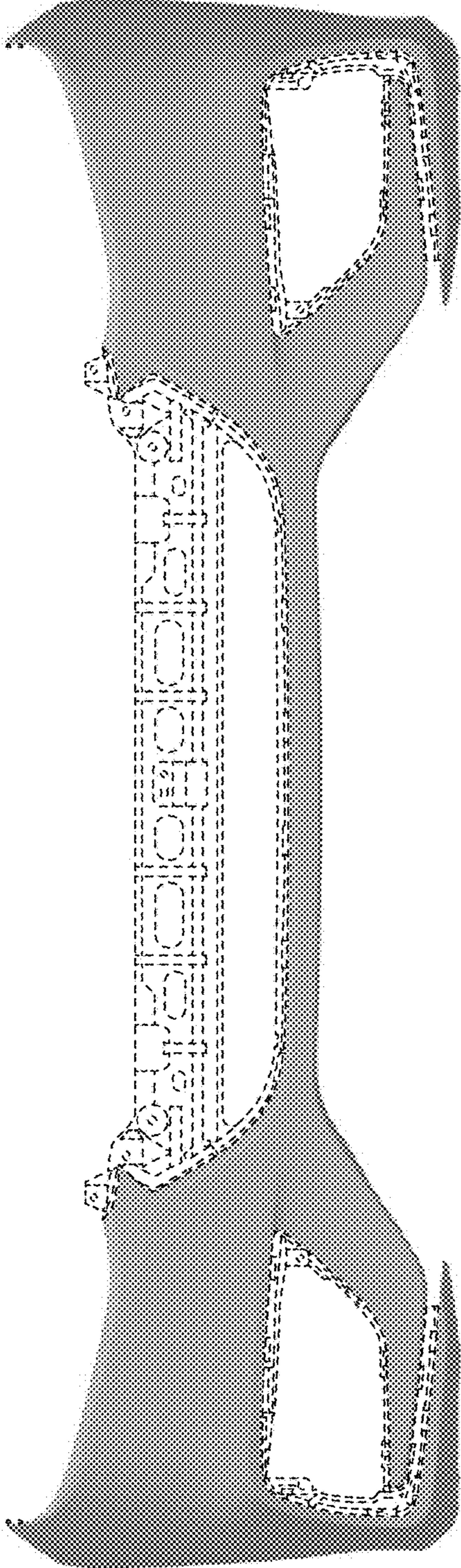
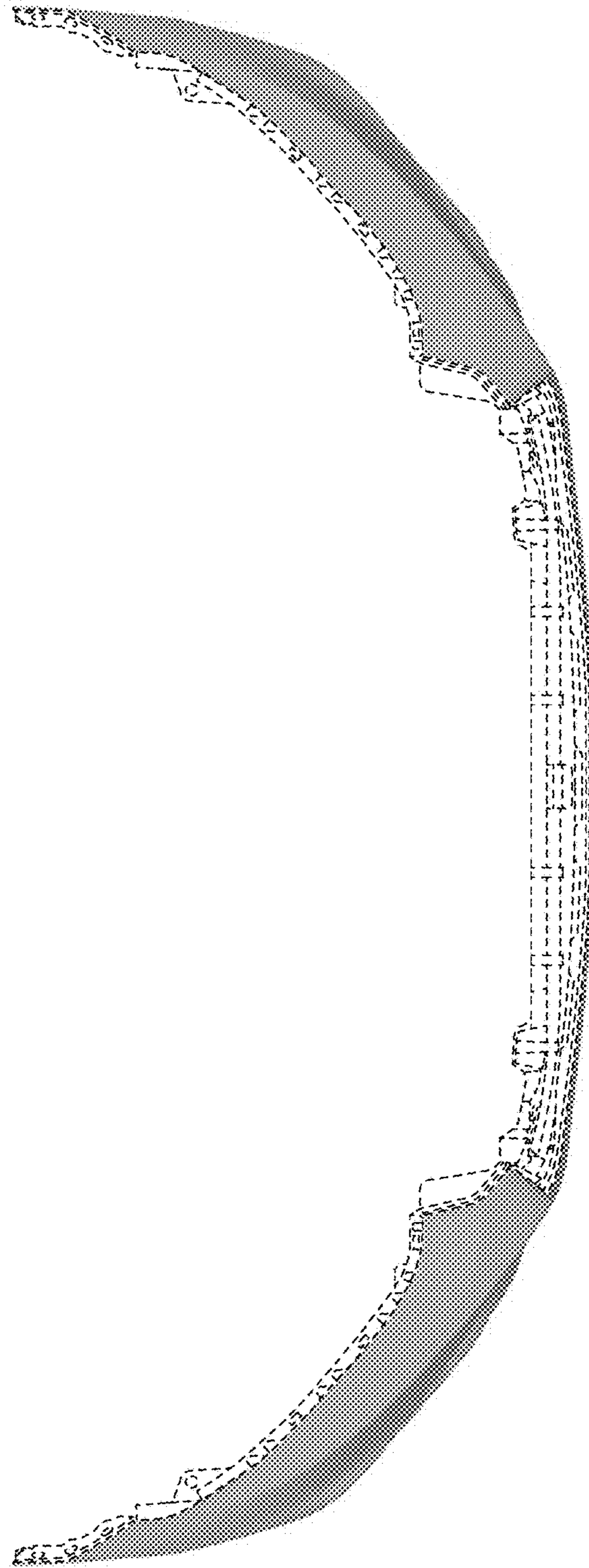


Fig. 3



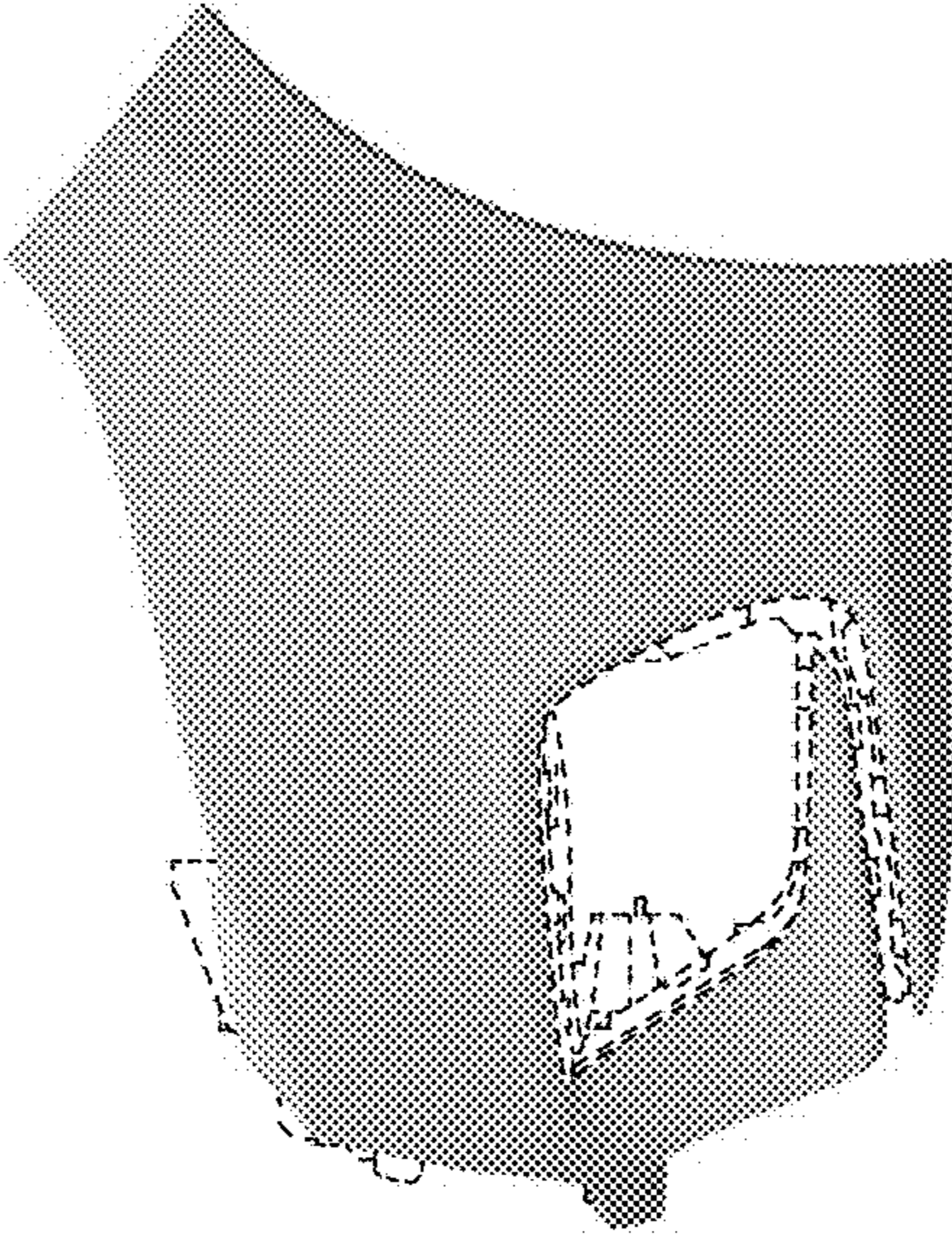


Fig.4