



US00D839152S

(12) **United States Design Patent** (10) **Patent No.:** **US D839,152 S**
Horie et al. (45) **Date of Patent:** **** Jan. 29, 2019**

(54) **FRONT BUMPER FOR AUTOMOBILE**
(71) Applicant: **Nissan Motor Co., Ltd.**, Yokohama, Kanagawa (JP)
(72) Inventors: **Takeo Horie**, Kanagawa (JP); **Osamu Horiuchi**, Kanagawa (JP)
(73) Assignee: **Nissan Motor Co., Ltd.**, Yokohama (JP)

D803,110 S * 11/2017 Seo D12/169
D809,980 S * 2/2018 Tanaka D12/169
D814,991 S * 4/2018 Tanaka D12/169
D814,993 S * 4/2018 Minamiyama D12/169
D819,517 S * 6/2018 Arai D12/169
D819,524 S * 6/2018 Behmer D12/169
D821,936 S * 7/2018 Yamamoto D12/169
D824,819 S * 8/2018 Sukegawa D12/169
D826,109 S * 8/2018 Kuwahara D12/169

* cited by examiner

Primary Examiner — Melody N Brown

(**) Term: **15 Years**

(21) Appl. No.: **29/627,047**

(22) Filed: **Nov. 22, 2017**

(30) **Foreign Application Priority Data**

May 26, 2017 (JP) 2017-011331

(51) **LOC (11) Cl.** **12-16**

(52) **U.S. Cl.**
USPC **D12/169**

(58) **Field of Classification Search**
CPC B60R 19/02; B60R 19/04; B62D 25/08
See application file for complete search history.

(56) **References Cited**

U.S. PATENT DOCUMENTS

D678,146 S * 3/2013 Behmer D12/169
D695,162 S * 12/2013 Scheinhutte D12/169
D695,164 S * 12/2013 Futschik D12/169
D786,147 S * 5/2017 Horie D12/169
D786,749 S * 5/2017 Oohashi D12/169
D802,499 S * 11/2017 Choi D12/169

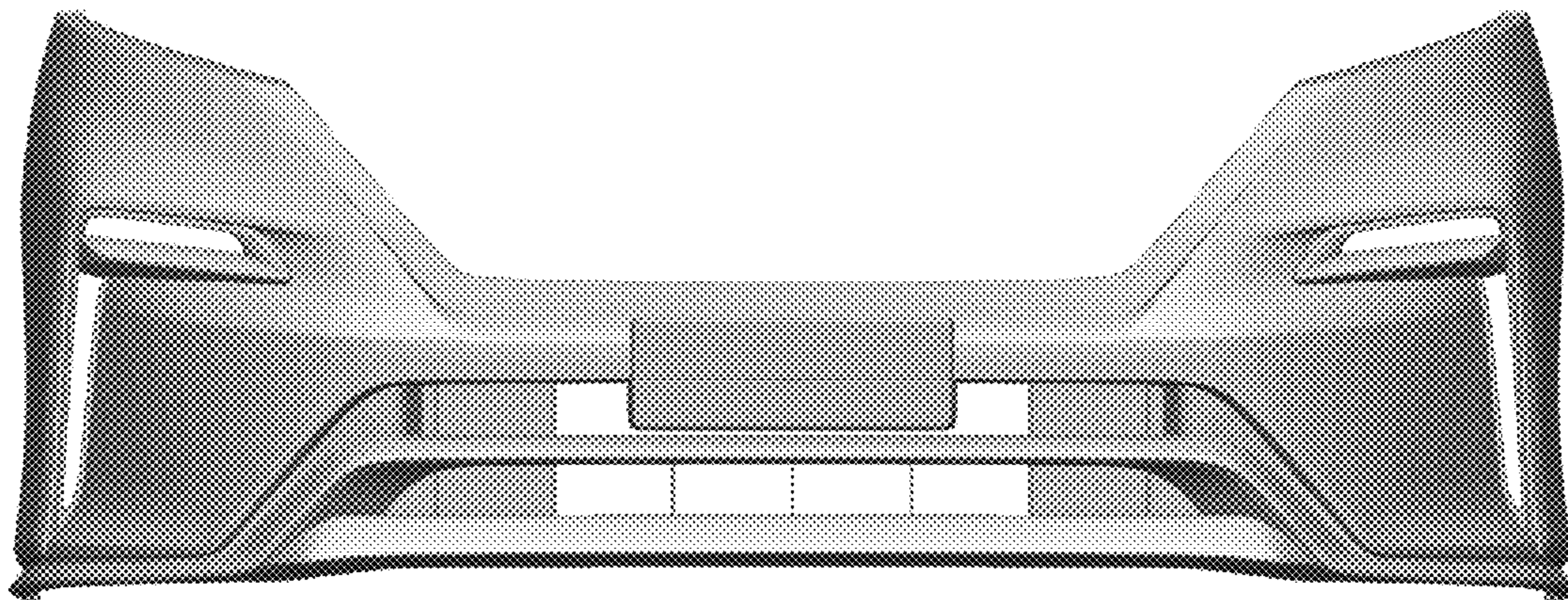
(57) **CLAIM**

The ornamental design for a front bumper for an automobile, as shown and described.

DESCRIPTION

FIG. 1 is a front elevational view of a front bumper for an automobile in accordance with our new design;
FIG. 2 is a top plan view thereof;
FIG. 3 is a bottom plan view thereof;
FIG. 4 is a left side elevational view thereof;
FIG. 5 is a right side elevational view thereof;
FIG. 6 is a bottom, front and left side perspective view thereof; and,
FIG. 7 is a top, front and right side perspective view thereof.
The rear view of the front bumper forms no part of the claimed design. The inside surfaces of the front bumper, shown in broken lines in FIGS. 2, 3, 6 and 7, form no part of the claimed design since the inside surfaces are hidden when the front bumper is mounted to the automobile.

1 Claim, 7 Drawing Sheets



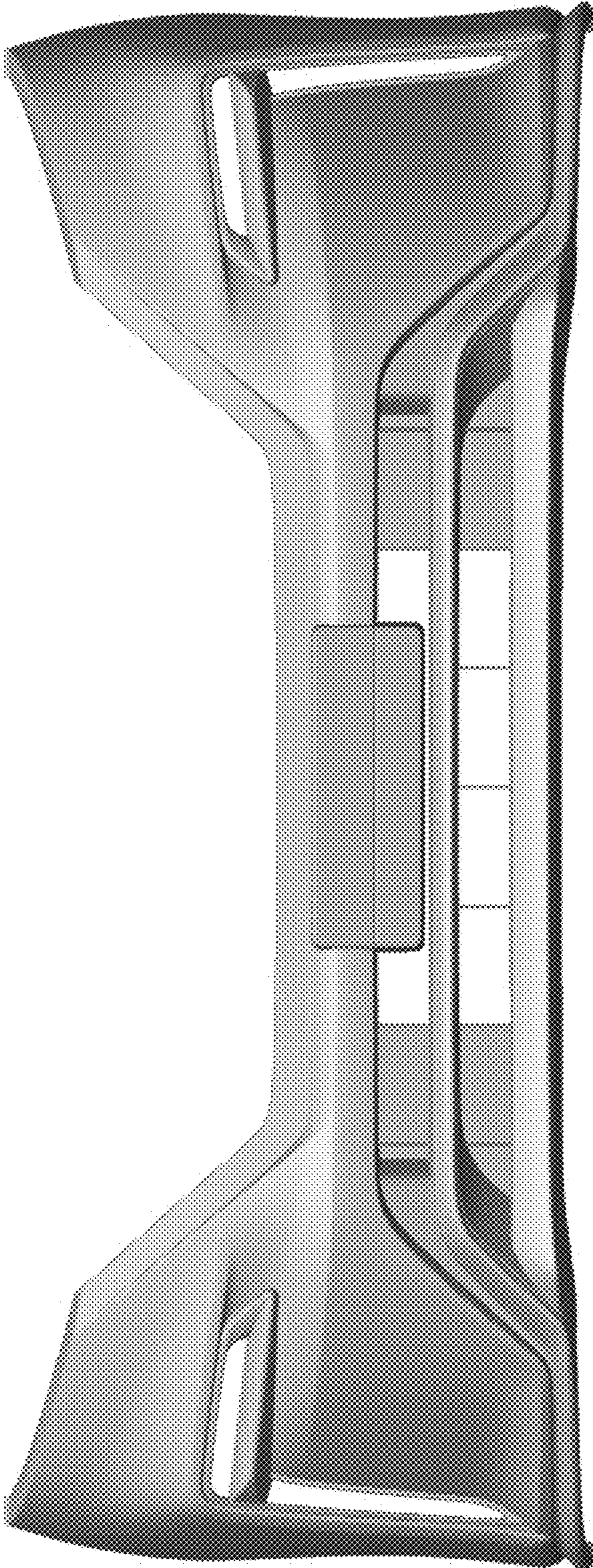


FIG. 1

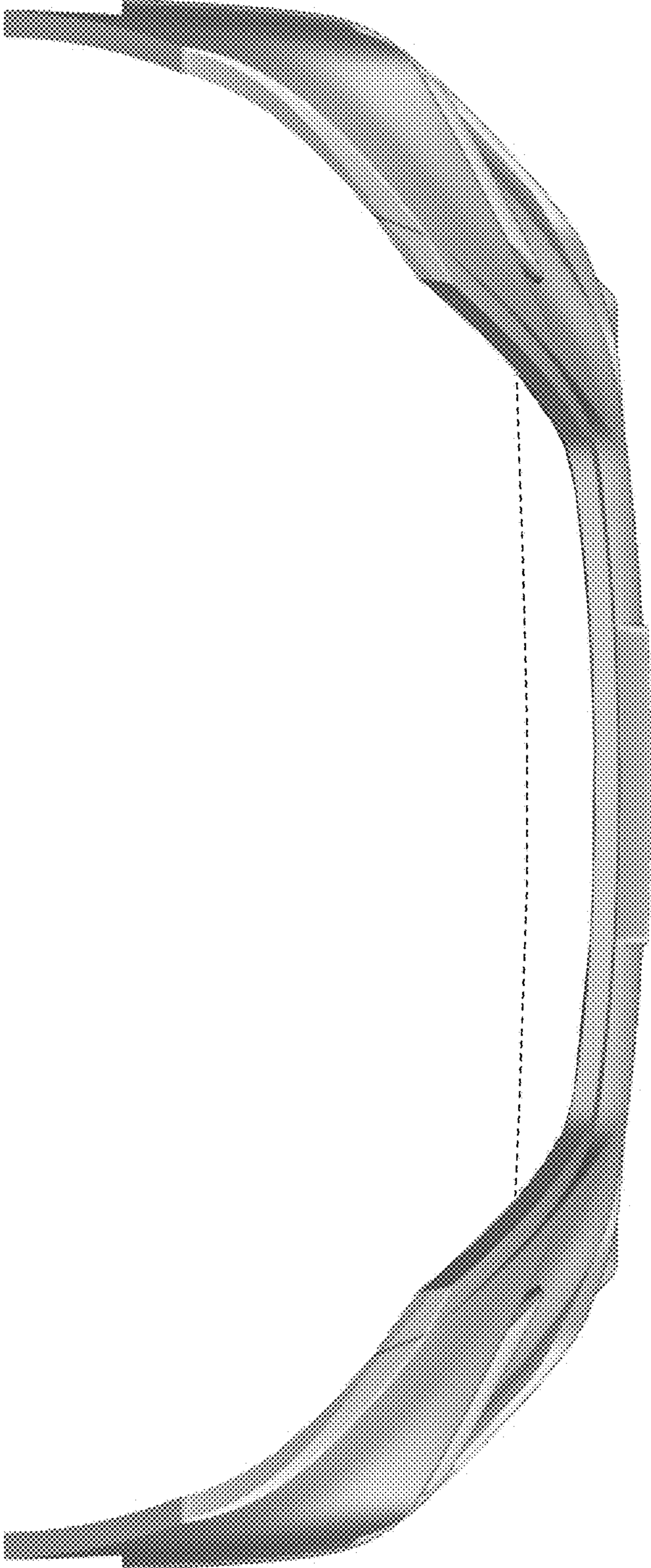


FIG. 2

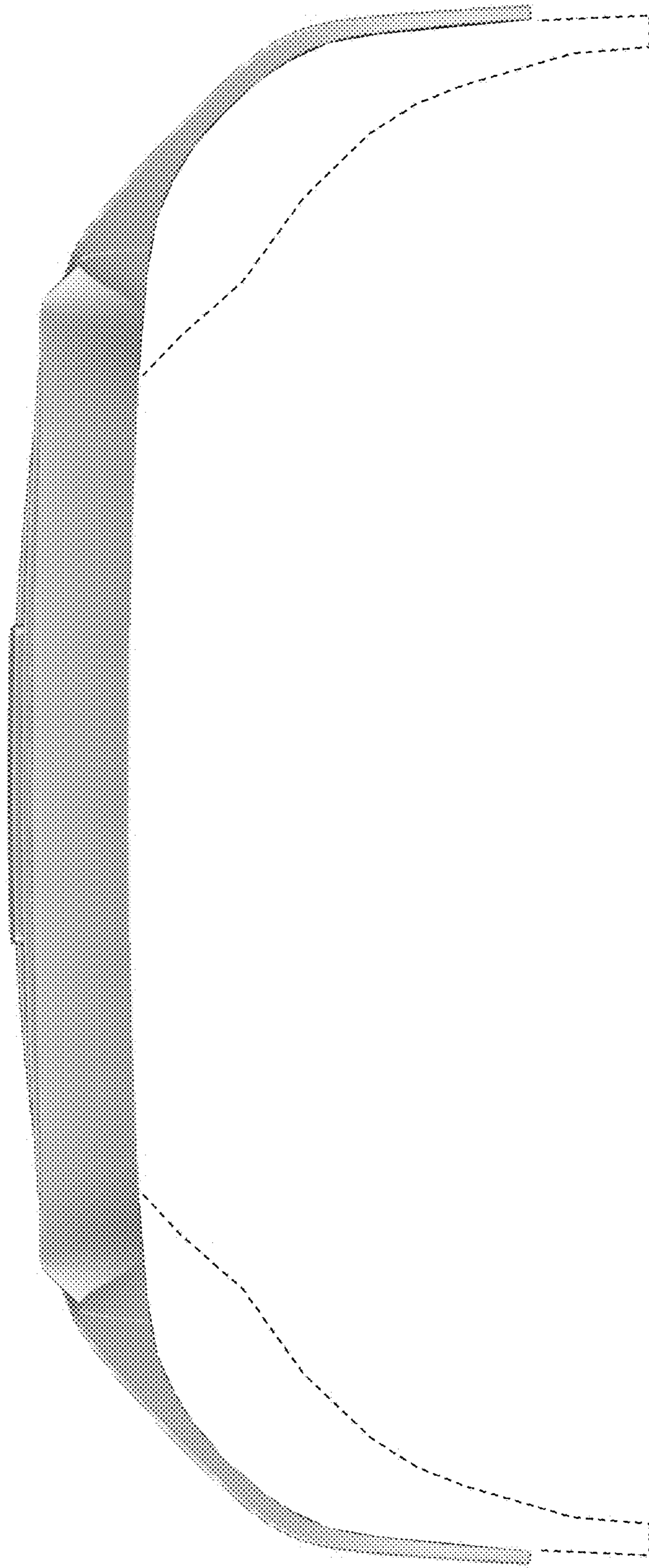


FIG. 3

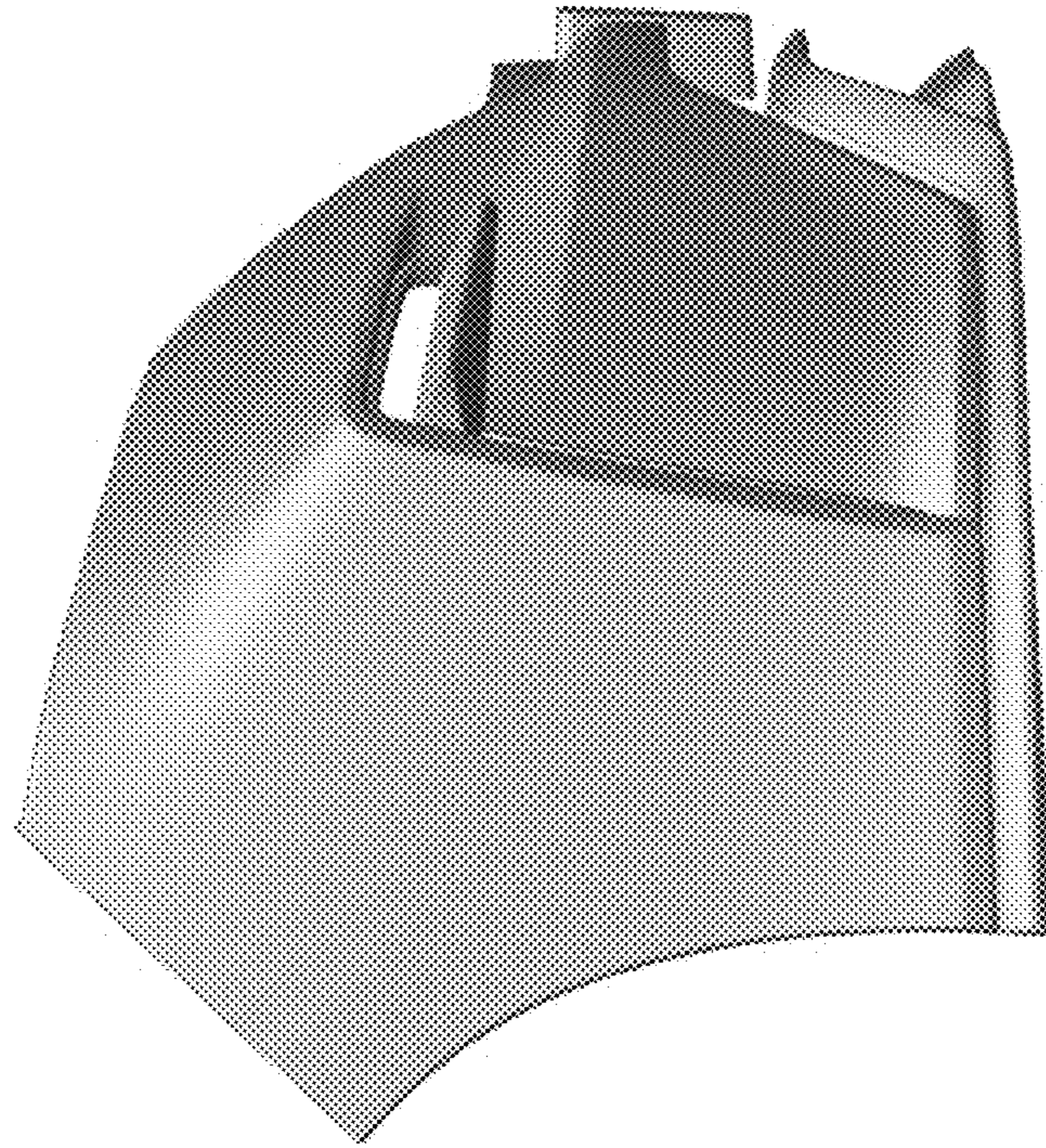


FIG. 4

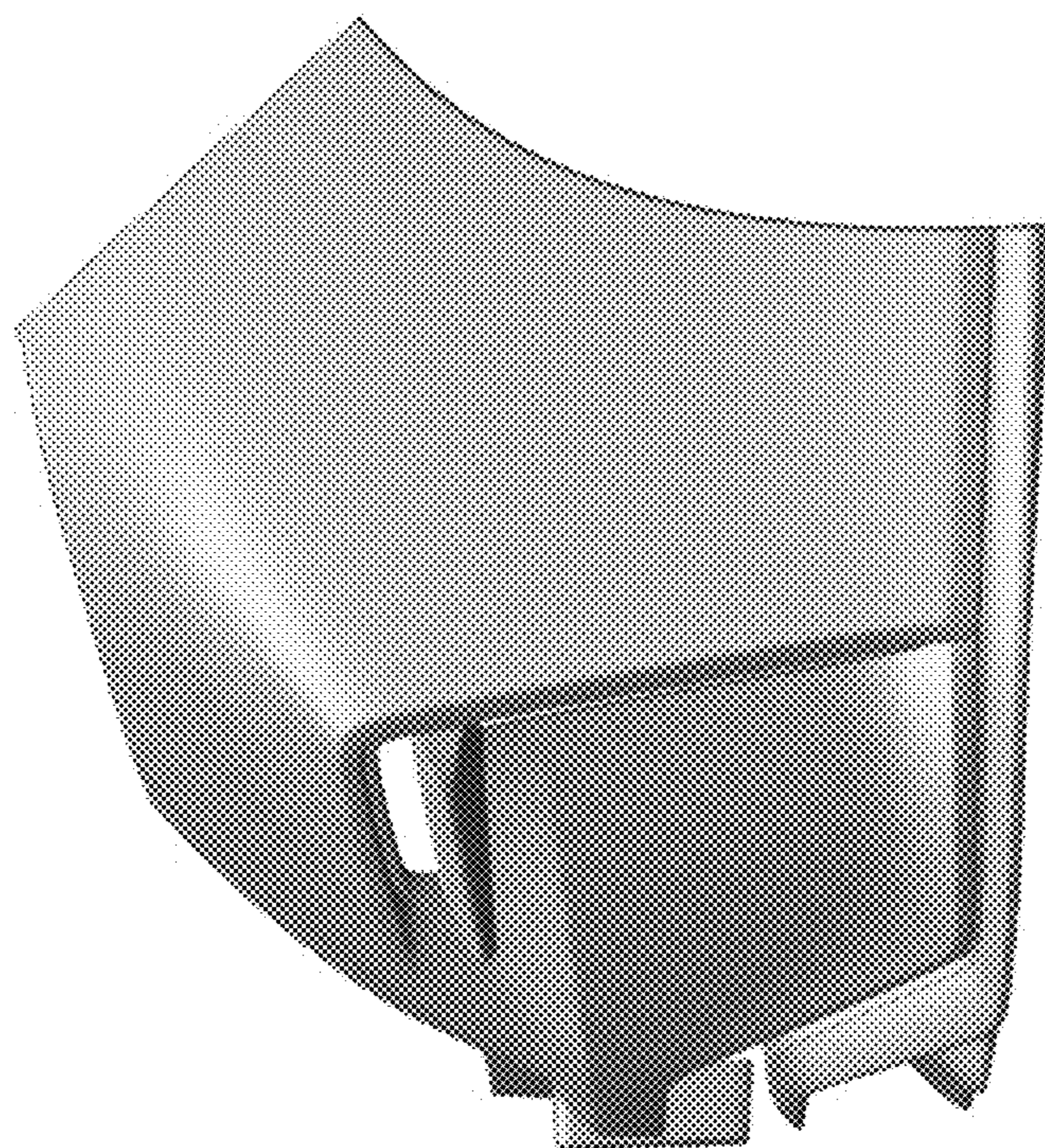


FIG. 5

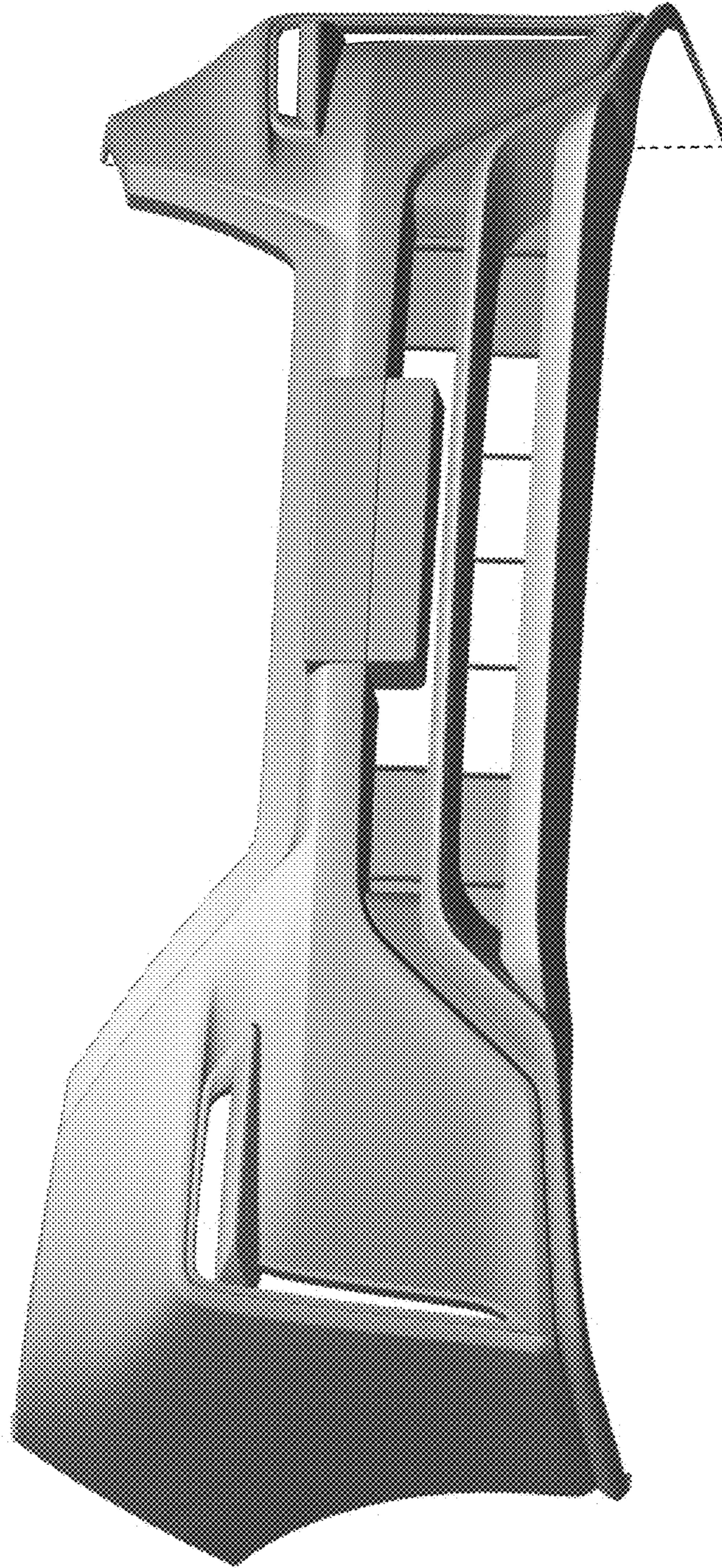


FIG. 6

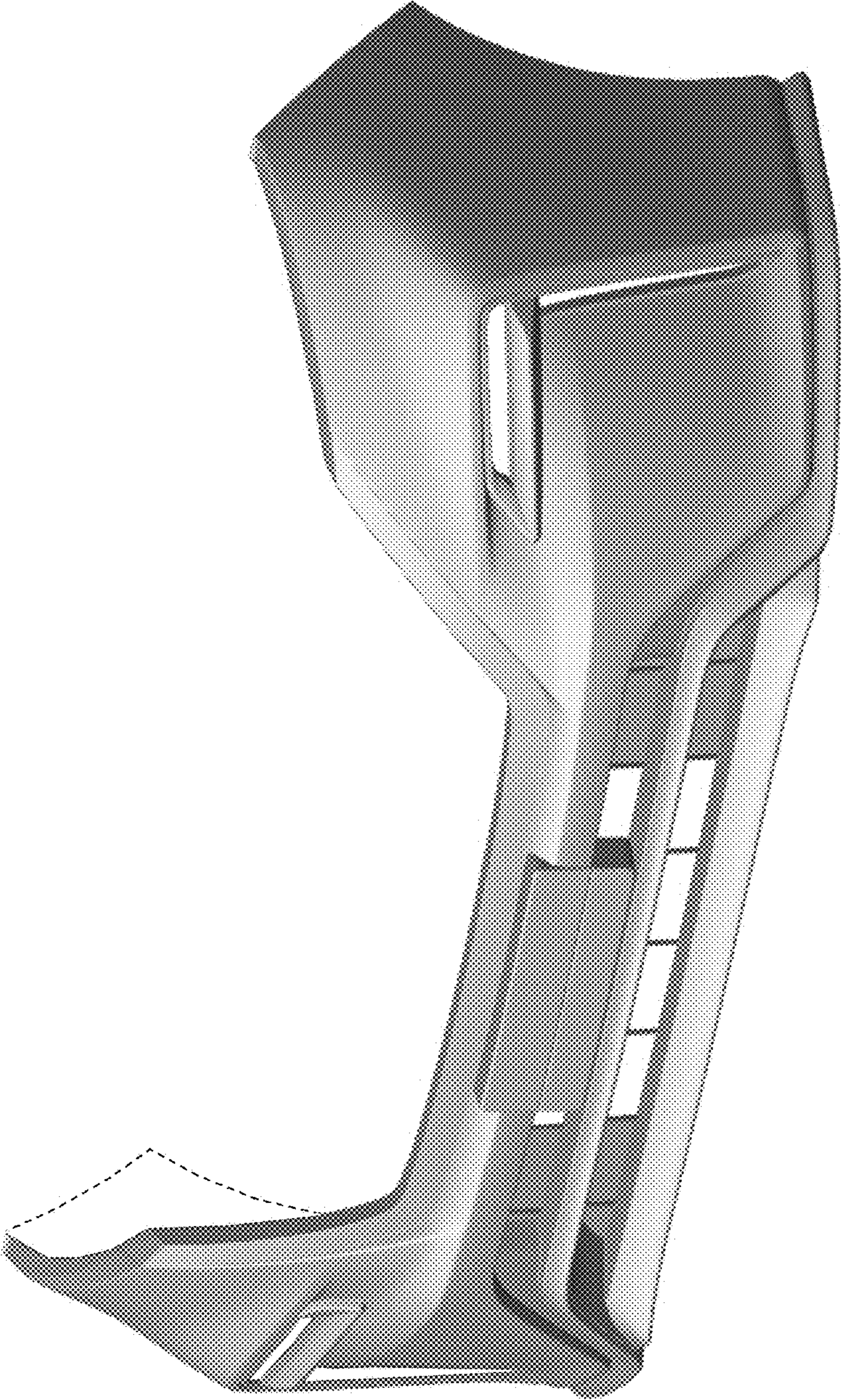


FIG. 7