



US00D839149S

(12) **United States Design Patent**
Wheel

(10) **Patent No.:** **US D839,149 S**

(45) **Date of Patent:** **** Jan. 29, 2019**

(54) **FRONT BUMPER FOR A VEHICLE**

(71) Applicant: **Jaguar Land Rover Limited**, Whitley,
Coventry (GB)

(72) Inventor: **Andrew Wheel**, Coventry (GB)

(73) Assignee: **Jaguar Land Rover Limited**, Whitley,
Coventry (GB)

(**) Term: **15 Years**

(21) Appl. No.: **29/621,595**

(22) Filed: **Oct. 10, 2017**

(30) **Foreign Application Priority Data**

Apr. 11, 2017 (EM) 003852763

(51) **LOC (11) Cl.** **12-16**

(52) **U.S. Cl.**
USPC **D12/169**

(58) **Field of Classification Search**
CPC B60R 19/02; B60R 19/04; B62D 25/08
See application file for complete search history.

(56) **References Cited**

U.S. PATENT DOCUMENTS

D678,146 S * 3/2013 Behmer D12/169
D695,162 S * 12/2013 Scheinhutte D12/169

D695,164 S * 12/2013 Futschik D12/169
D749,474 S * 2/2016 Battams D12/169
D753,557 S * 4/2016 Frascella D12/169
D782,374 S * 3/2017 Wheel D12/169
D807,800 S * 1/2018 Wheel D12/169
D819,524 S * 6/2018 Behmer D12/169

* cited by examiner

Primary Examiner — Melody N Brown

(74) *Attorney, Agent, or Firm* — Wood Herron & Evans
LLP

(57) **CLAIM**

The ornamental design for a front bumper for a vehicle, as shown and described.

DESCRIPTION

FIG. 1 is a right, front perspective view of a front bumper of a vehicle showing my new design;
FIG. 2 is a left, front perspective view thereof;
FIG. 3 is a left, rear perspective view thereof;
FIG. 4 is a right, rear perspective view thereof;
FIG. 5 is a front view thereof;
FIG. 6 is a rear view thereof;
FIG. 7 is a left side view thereof;
FIG. 8 is a right side view thereof; and,
FIG. 9 is a top view thereof.

1 Claim, 9 Drawing Sheets

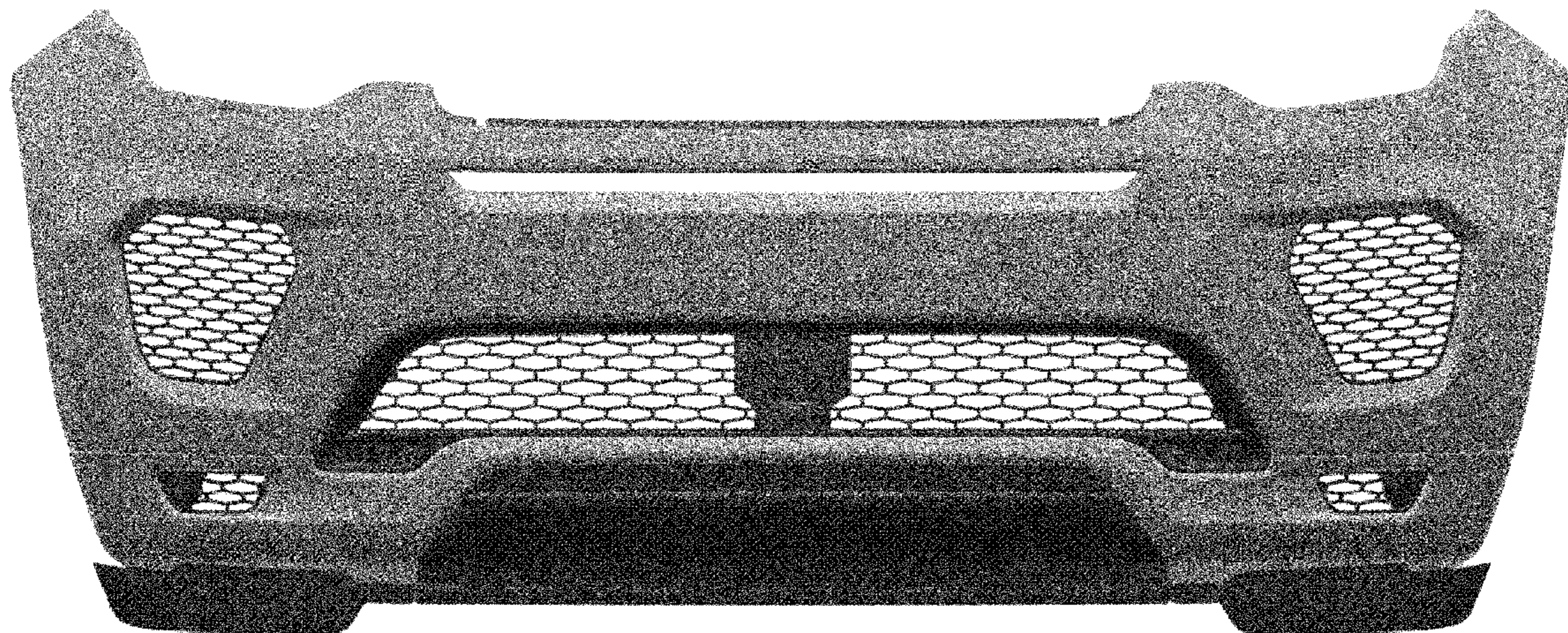




FIG. 1



FIG. 2

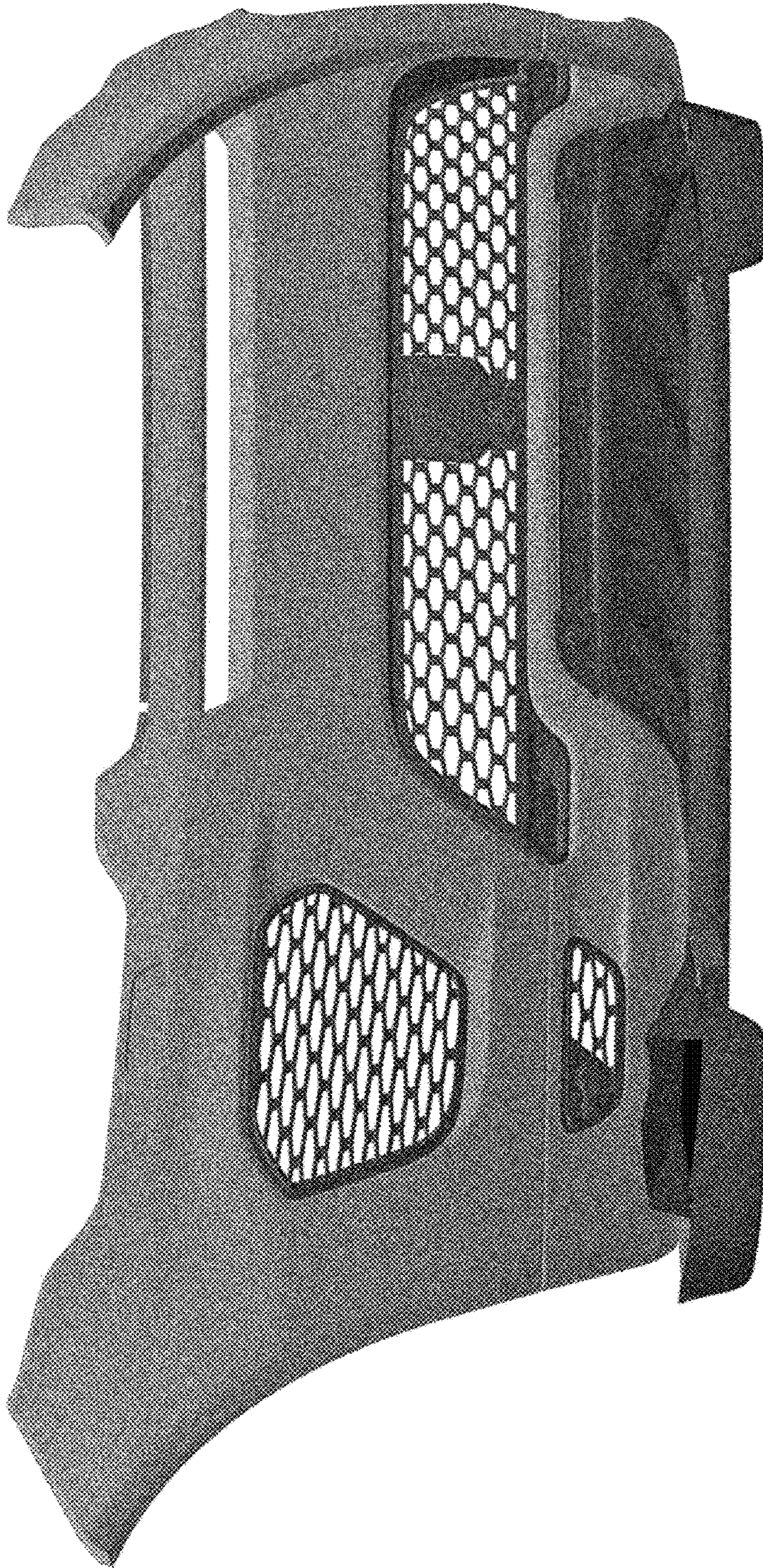


FIG. 3



FIG. 4

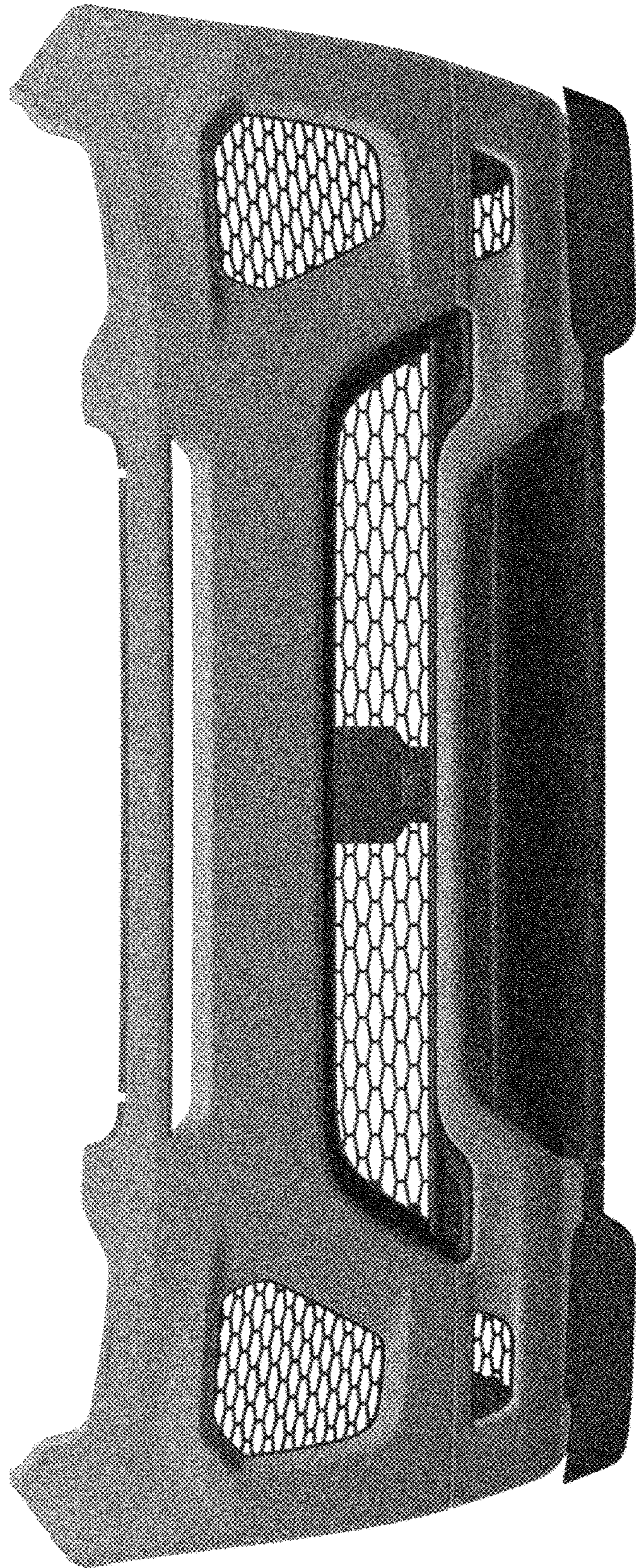


FIG. 5

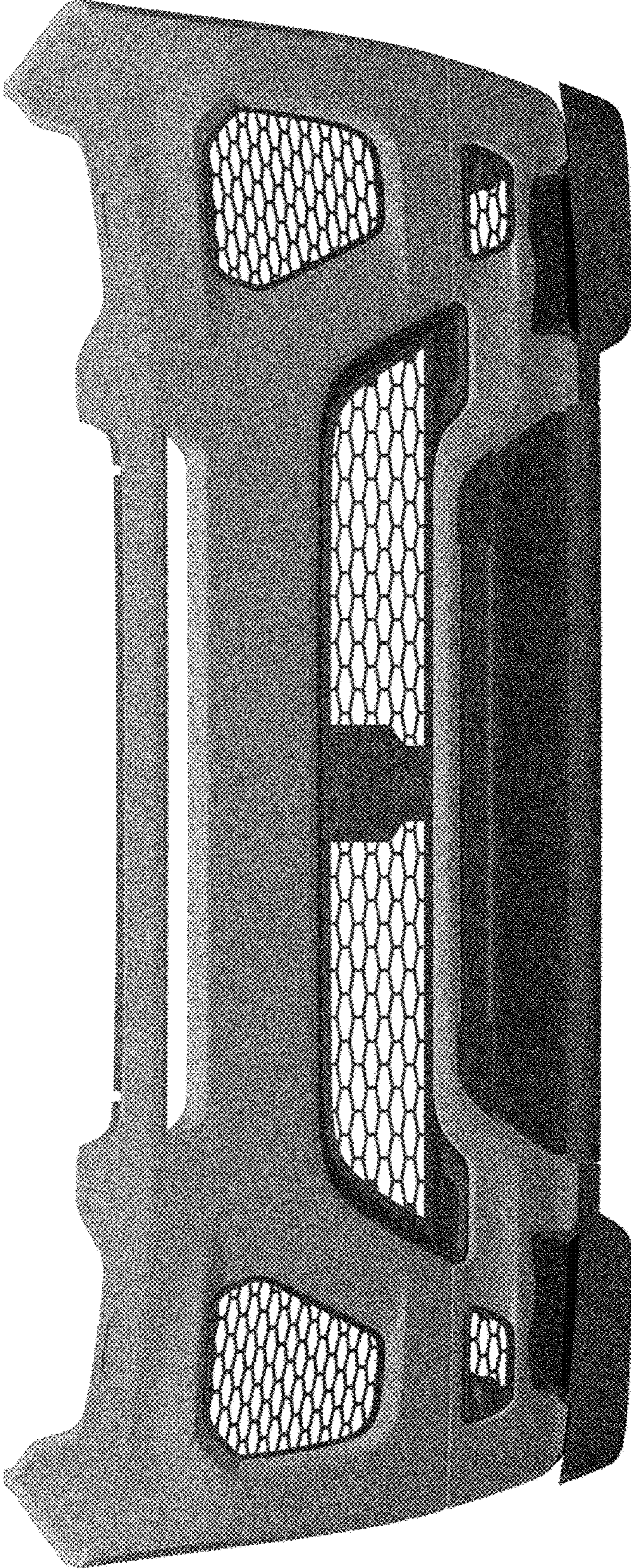


FIG. 6

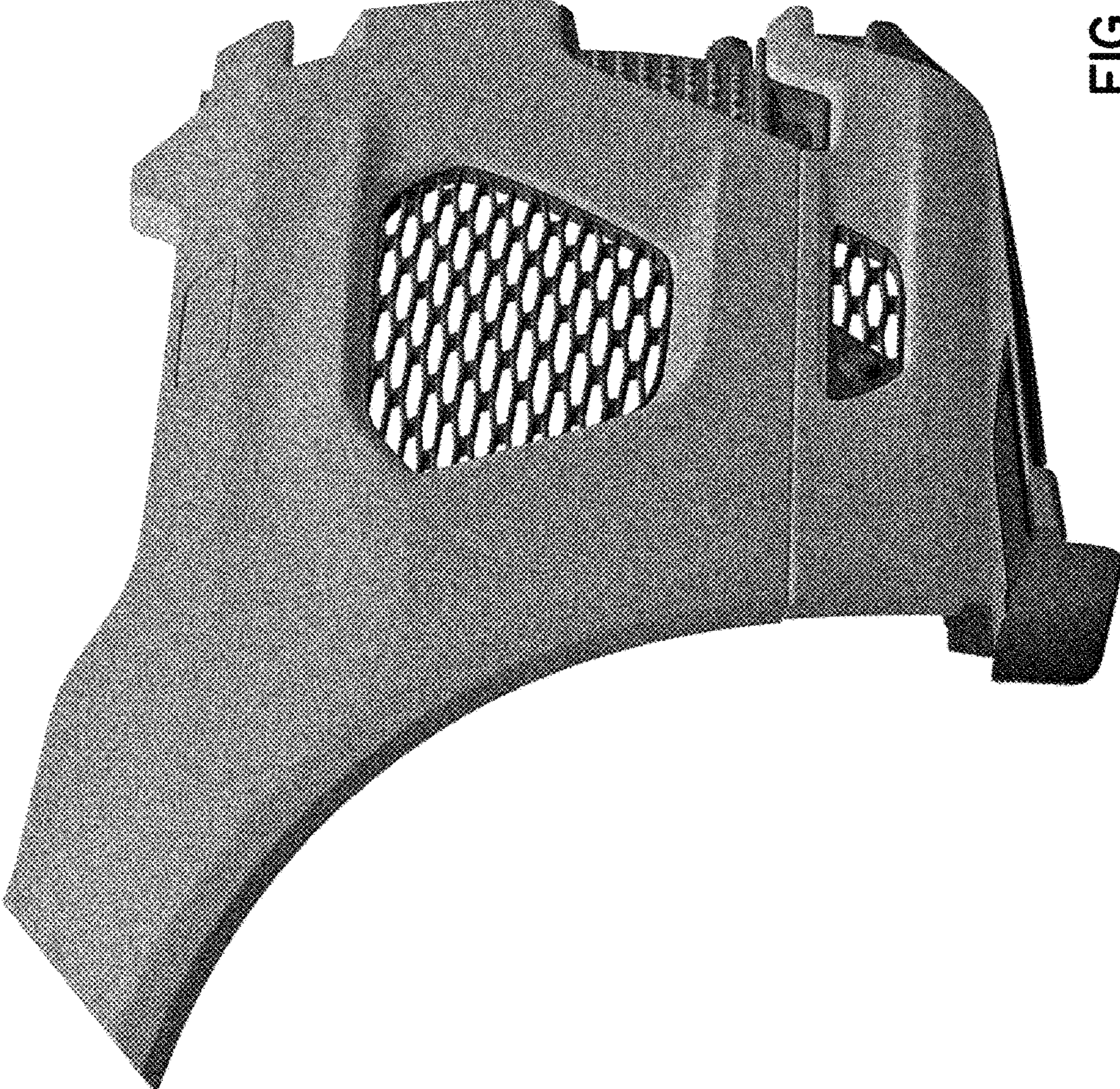


FIG. 7

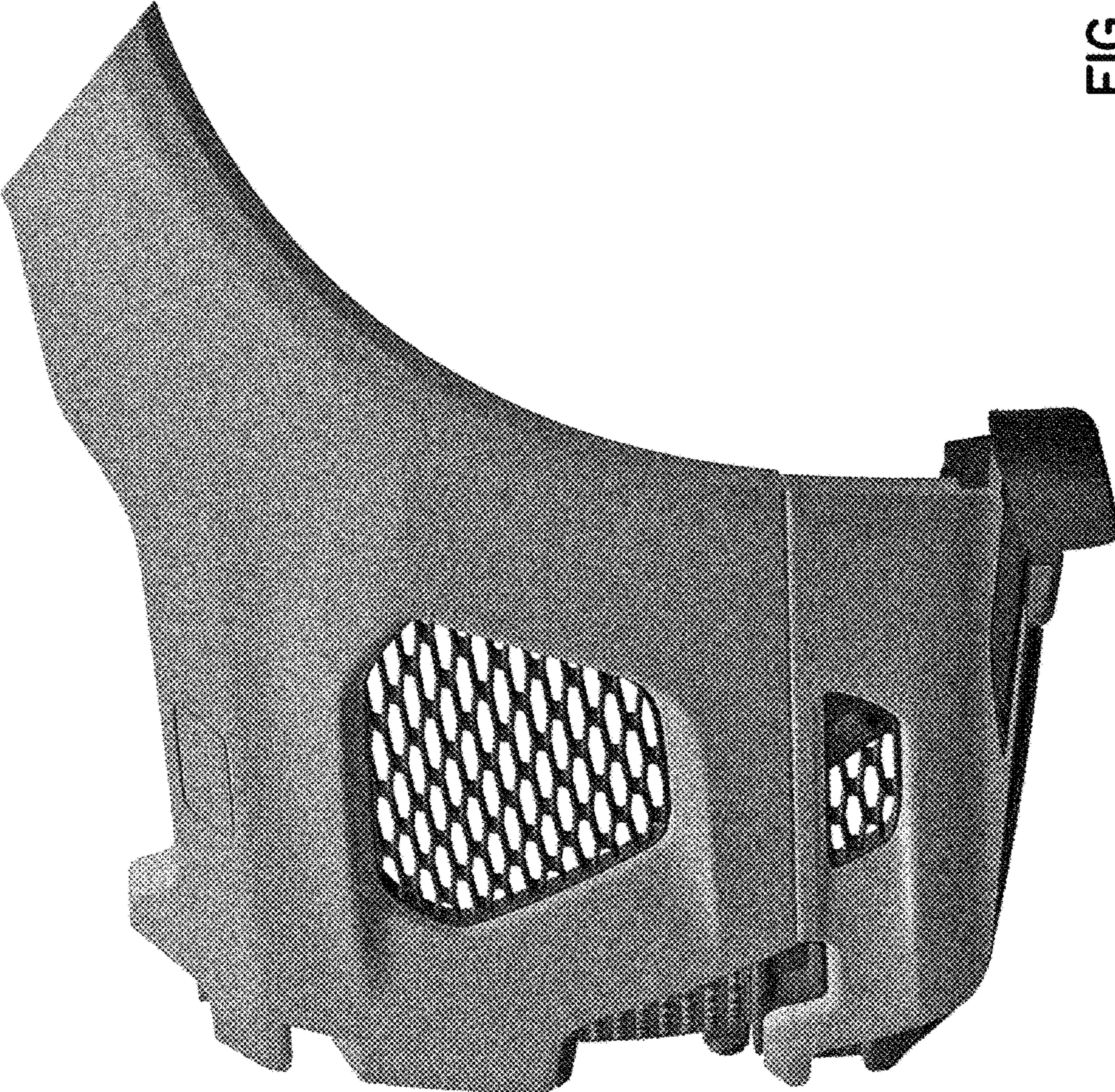


FIG. 8

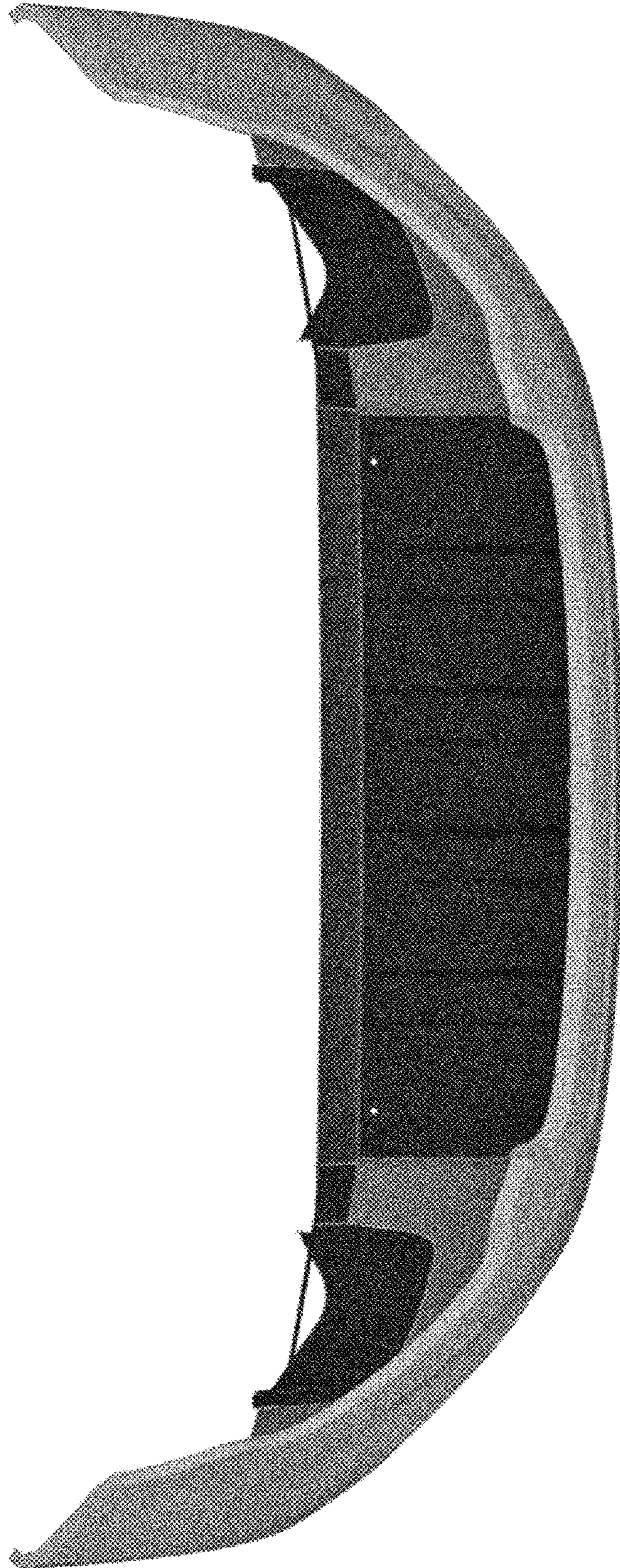


FIG. 9