



US00D839140S

(12) **United States Design Patent** (10) **Patent No.:** **US D839,140 S**
Bucher et al. (45) **Date of Patent:** **** Jan. 29, 2019**

(54) **VEHICLE FRONT MIDDLE GRILLE**
(71) Applicant: **Ford Global Technologies, LLC**,
Dearborn, MI (US)
(72) Inventors: **George Bucher**, Dearborn, MI (US);
James Grake, Beverly Hills, MI (US);
Steven Gilmore, Farmington Hills, MI
(US)
(73) Assignee: **Ford Global Technologies, LLC**,
Dearborn, MI (US)
(**) Term: **15 Years**
(21) Appl. No.: **29/593,053**
(22) Filed: **Feb. 6, 2017**
(51) **LOC (11) Cl.** **12-16**
(52) **U.S. Cl.**
USPC **D12/163**
(58) **Field of Classification Search**
USPC D12/86, 91, 93, 163, 164, 166, 167, 169,
D12/171, 172, 173, 190, 216
CPC B62D 25/08; B62B 9/16; B60K 11/08;
B60R 19/52
See application file for complete search history.

(56) **References Cited**
U.S. PATENT DOCUMENTS
6,328,358 B1 * 12/2001 Berweiler B60R 19/52
180/68.6
7,059,031 B1 * 6/2006 Elwell B60R 13/00
180/68.6
D584,196 S * 1/2009 Ebel D12/163
D589,853 S * 4/2009 Saridakis D12/163
D642,964 S * 8/2011 Miyazawa D12/163
D647,011 S * 10/2011 Verhee D12/169
D668,590 S * 10/2012 Furst D12/163
D679,225 S * 4/2013 Gifford D12/163

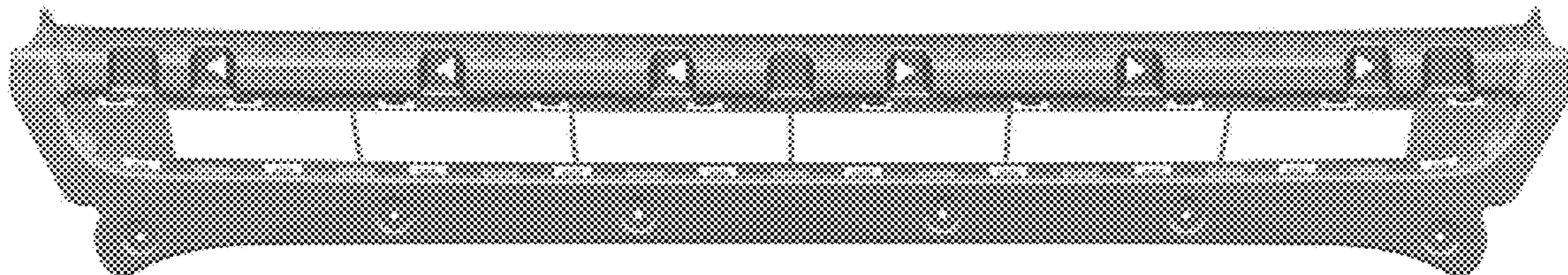
D680,918 S * 4/2013 Yamada D12/163
D701,151 S * 3/2014 Cartabiano D12/169
D703,108 S * 4/2014 Futschik D12/163
D705,699 S * 5/2014 Ware D12/91
D711,794 S * 8/2014 Okamura D12/169
D716,197 S * 10/2014 Terui D12/163
D721,019 S * 1/2015 Pevovar D12/163
D732,430 S * 6/2015 Loeb D12/91
D748,543 S * 2/2016 Nissl D12/169
D755,088 S * 5/2016 McMahan D12/163
D763,152 S * 8/2016 Frascella D12/190
9,469,187 B1 * 10/2016 Ho B60K 11/08
D775,003 S * 12/2016 Pevovar D12/163
D775,554 S * 1/2017 Kapitonov D12/163
D776,020 S * 1/2017 Kapitonov D12/163
D780,644 S * 3/2017 Kim D12/163
D782,943 S * 4/2017 Kavaja D12/163
D782,944 S * 4/2017 Pevovar D12/163
D786,145 S * 5/2017 Kozub D12/163
D787,993 S * 5/2017 McCabe D12/173
(Continued)

Primary Examiner — Susan Bennett Hattan
Assistant Examiner — Suzanne E Tisdell
(74) *Attorney, Agent, or Firm* — James Dottavio

(57) **CLAIM**
The ornamental design for a vehicle front middle grille, as shown.

DESCRIPTION
FIG. 1 is a top left perspective view of a vehicle front middle grille, showing our new design;
FIG. 2 is a bottom left perspective view thereof;
FIG. 3 is a top rear inside perspective view thereof;
FIG. 4 is a front elevational view thereof;
FIG. 5 is a rear elevational view thereof;
FIG. 6 is a left side elevational view thereof;
FIG. 7 is a right side elevational view thereof;
FIG. 8 is a top plan view thereof; and,
FIG. 9 is a bottom plan view thereof.

1 Claim, 9 Drawing Sheets



(56)

References Cited

U.S. PATENT DOCUMENTS

2004/0190985 A1* 9/2004 Aigner B60R 19/52
403/329
2005/0006913 A1* 1/2005 Otte B60R 19/52
293/115
2006/0157992 A1* 7/2006 Sakamoto B60R 19/52
293/115
2007/0182174 A1* 8/2007 Nakayama B60R 19/52
293/115
2008/0079271 A1* 4/2008 Maruko B60R 19/52
293/102
2010/0148525 A1* 6/2010 Abdelnour B60R 19/52
293/115
2011/0181062 A1* 7/2011 Bernt B60K 11/085
293/102
2012/0090906 A1* 4/2012 Charnesky B60K 11/085
180/68.1
2014/0291056 A1* 10/2014 Takayaga B60K 11/085
180/274
2016/0325790 A1* 11/2016 Murray B62D 25/02

* cited by examiner

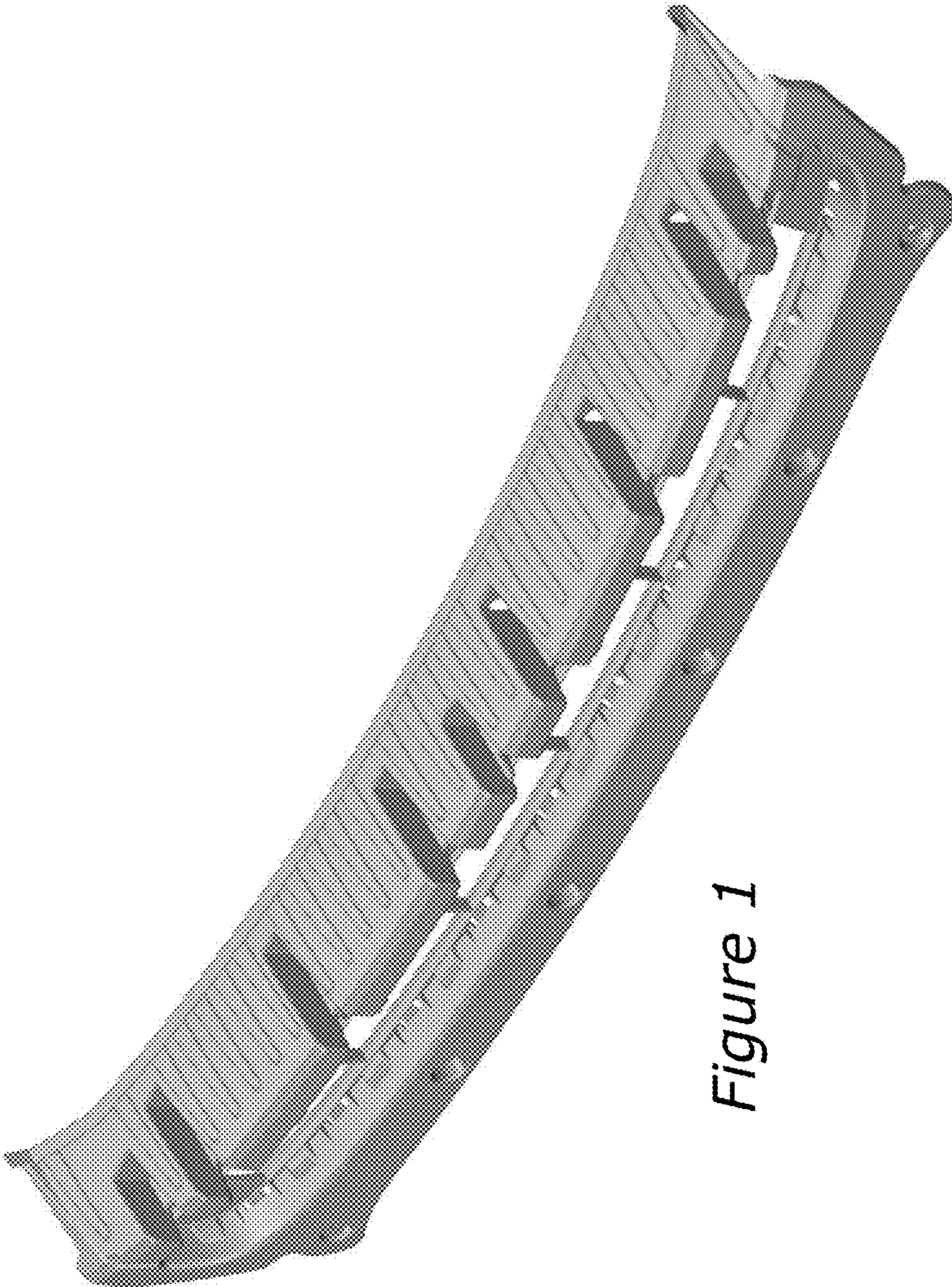


Figure 1

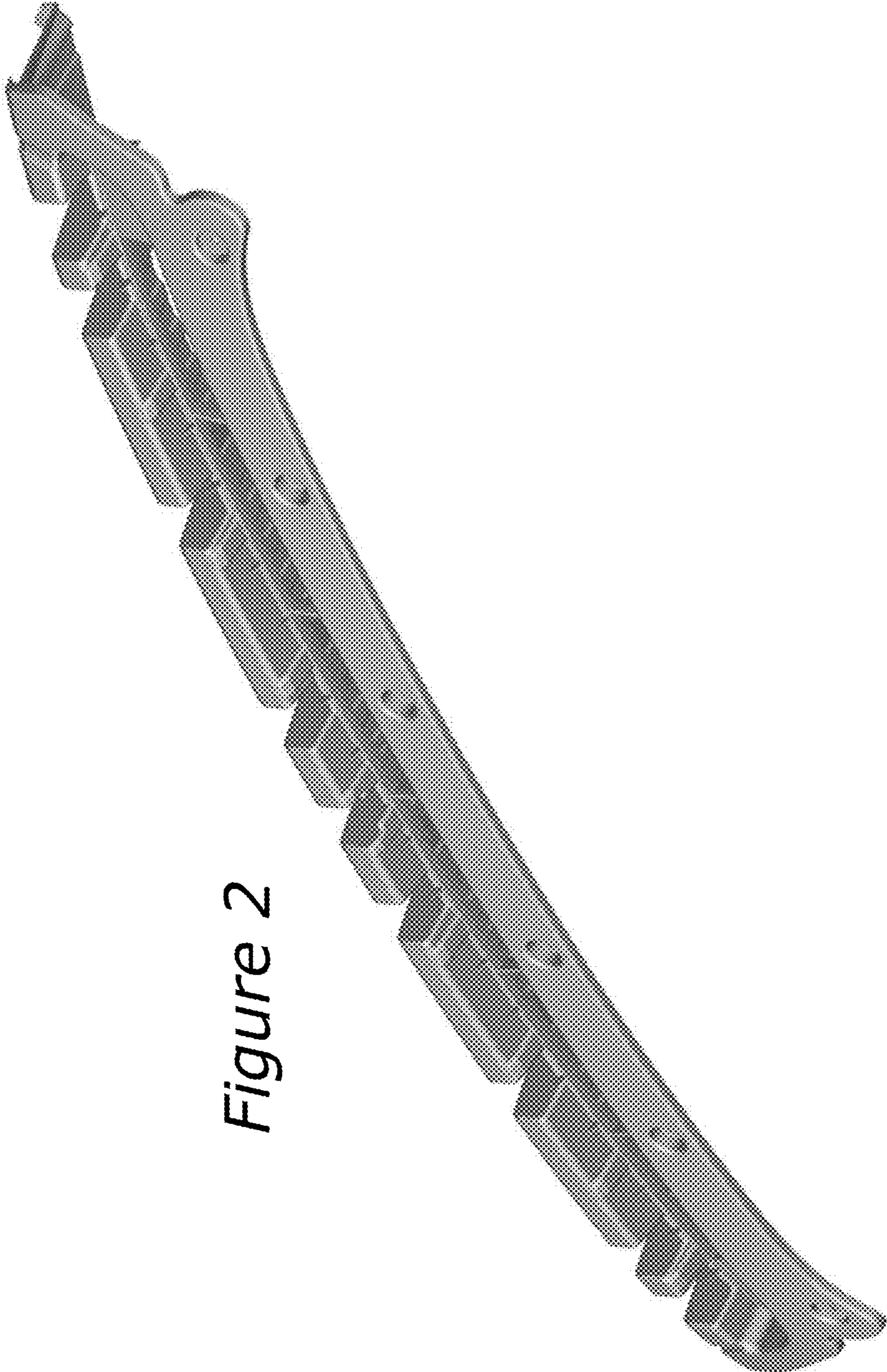


Figure 2

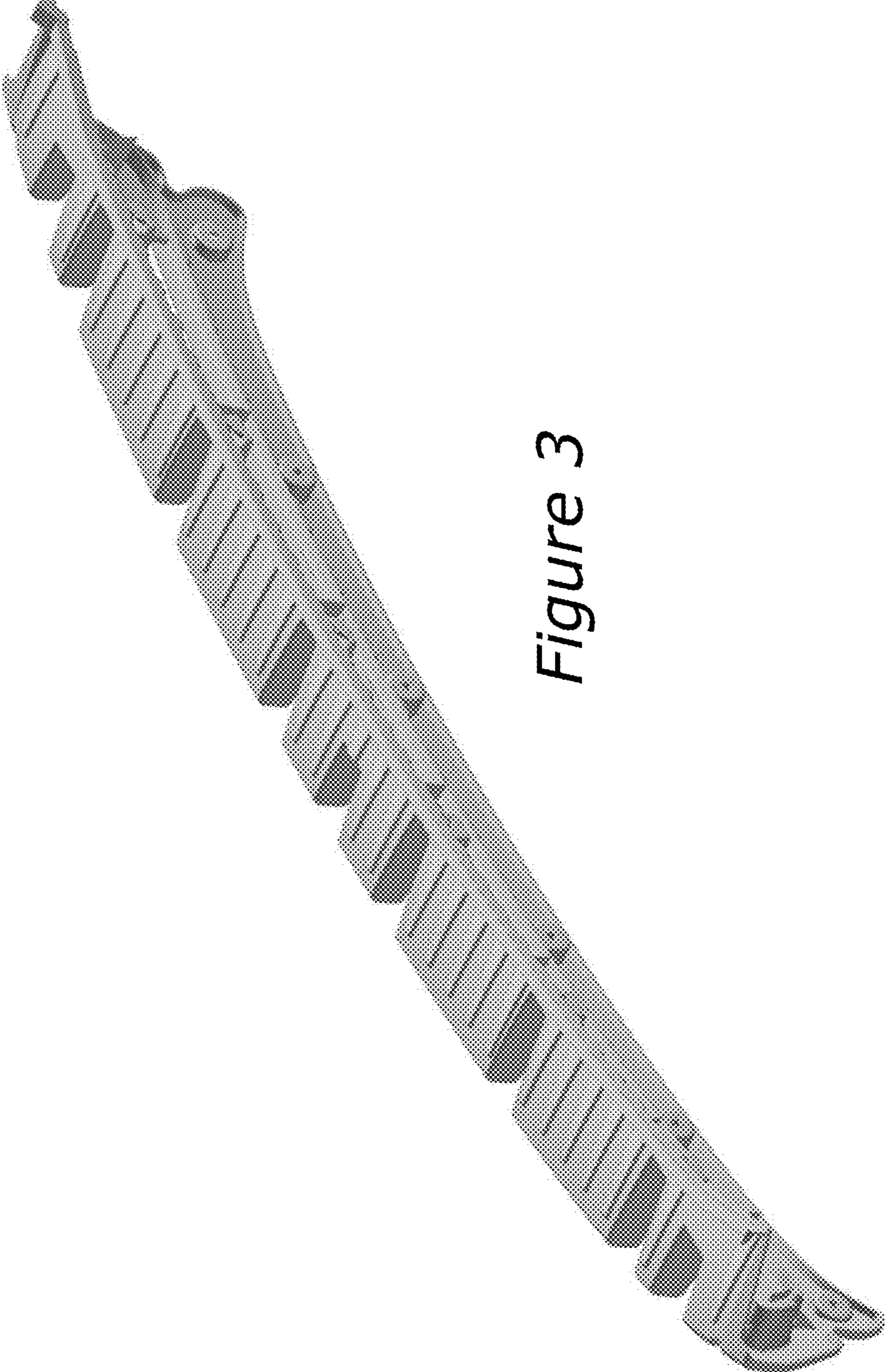


Figure 3

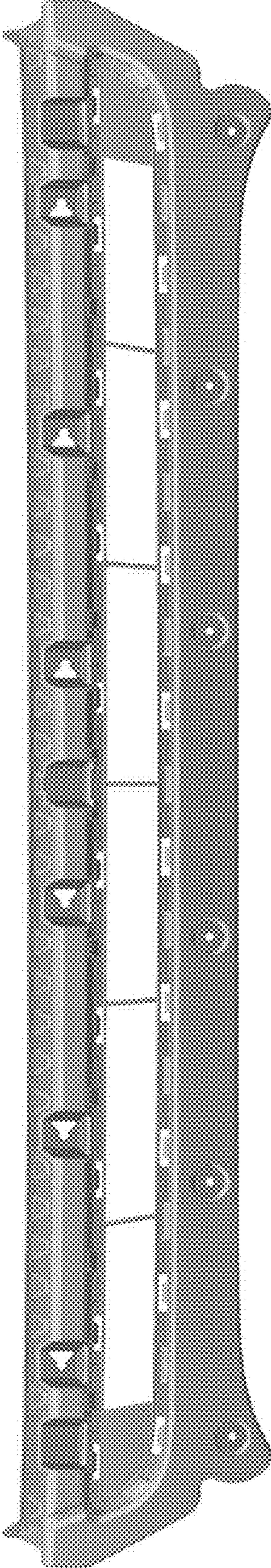


Figure 4

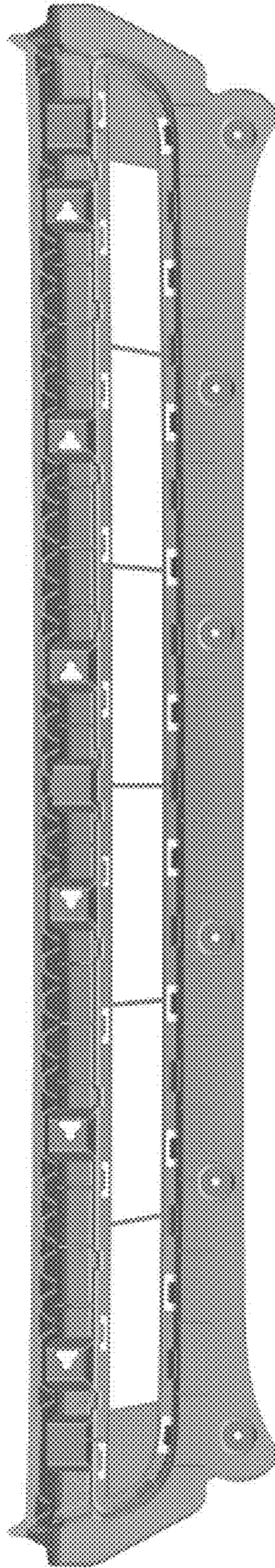


Figure 5

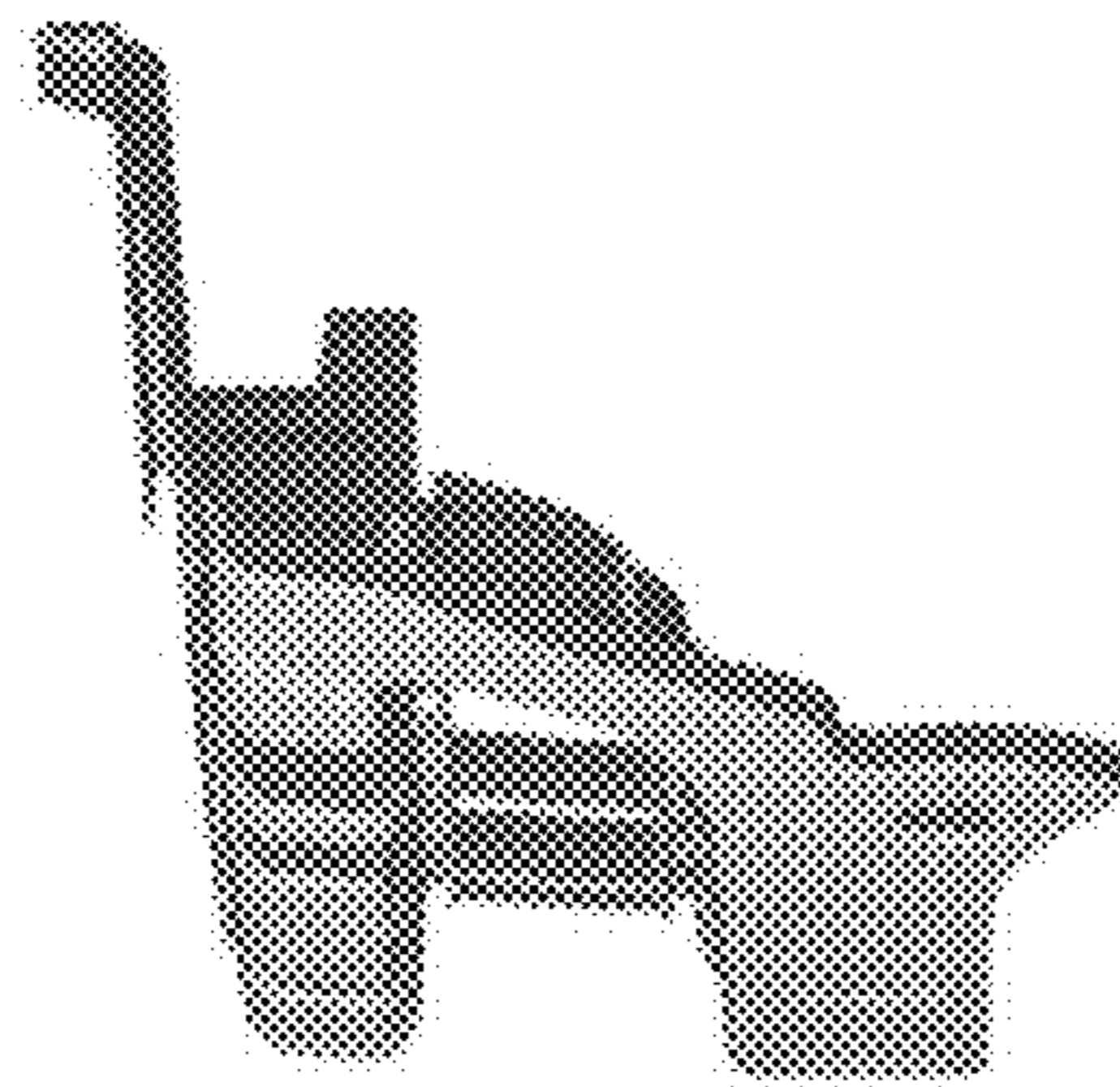


Figure 6

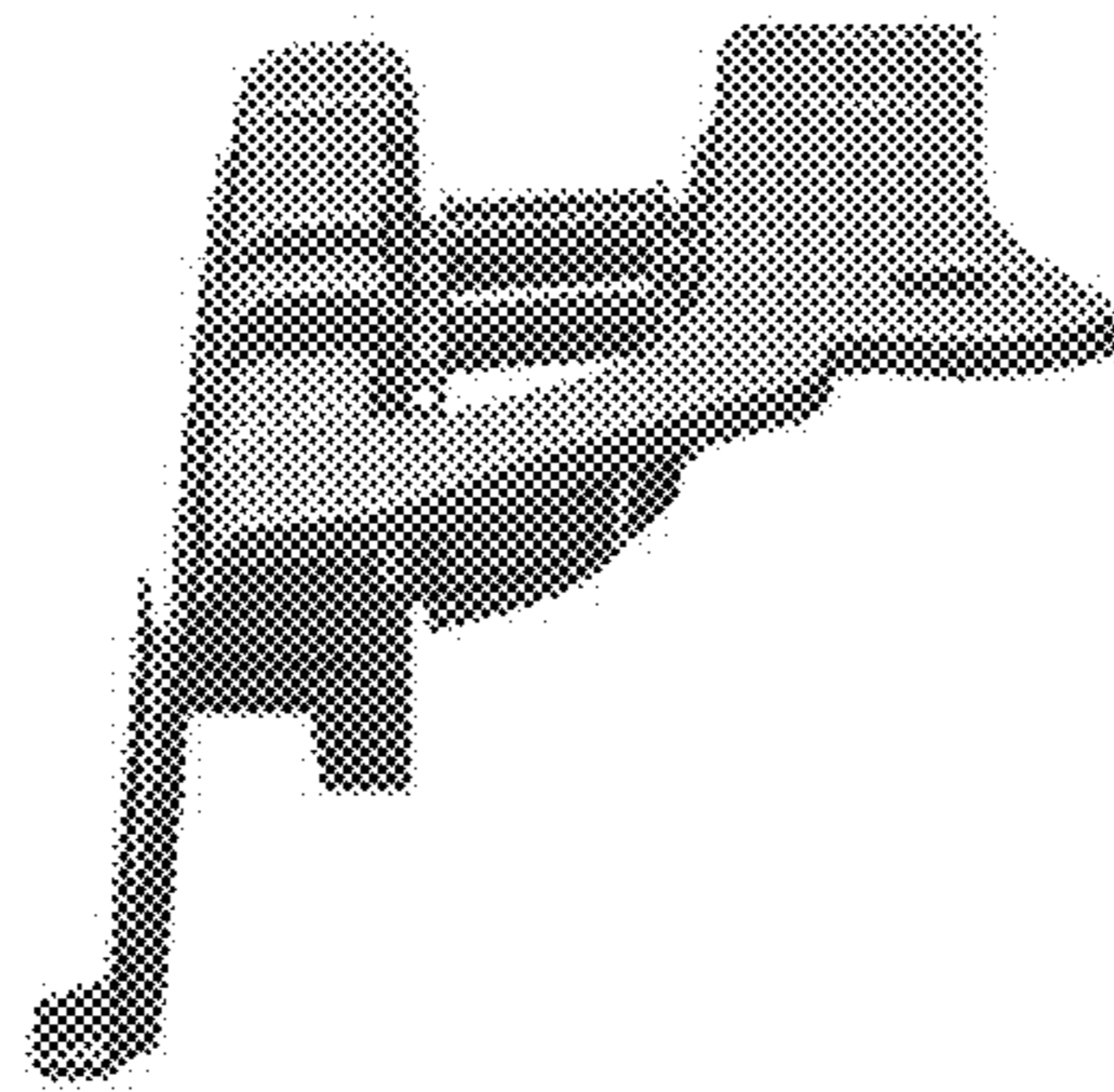


Figure 7

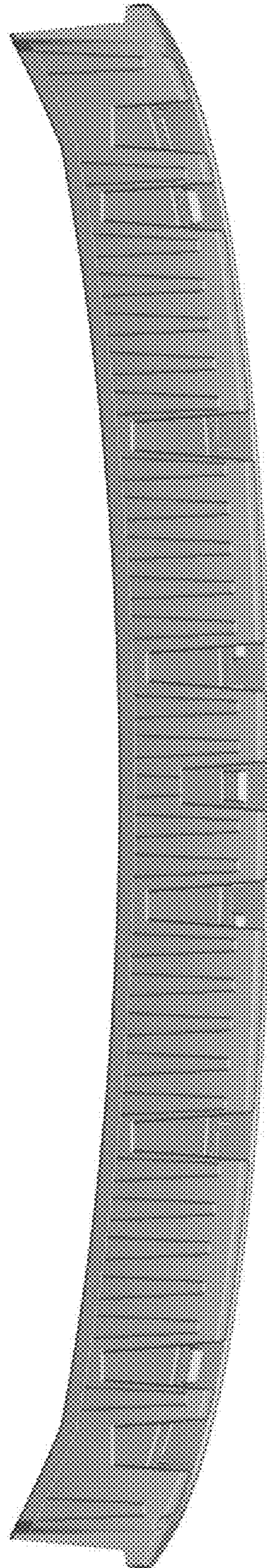


Figure 8

Figure 9

