



US00D839139S

(12) **United States Design Patent**  
**Hinsey et al.**

(10) **Patent No.:** **US D839,139 S**  
(45) **Date of Patent:** **\*\* Jan. 29, 2019**

- (54) **COMPARTMENT LID**
- (71) Applicant: **Hinsey's Pro Paint, Inc.**, Fort Wayne, IN (US)
- (72) Inventors: **Jacob Hinsey**, Fort Wayne, IN (US);  
**Matt Anderson**, Fort Wayne, IN (US)
- (73) Assignee: **Hinsey's Pro Paint, Inc.**, Fort Wayne, IN (US)
- (\*\*) Term: **15 Years**
- (21) Appl. No.: **29/612,887**
- (22) Filed: **Aug. 4, 2017**
- (51) **LOC (11) Cl.** ..... **12-11**
- (52) **U.S. Cl.**  
USPC ..... **D12/114**
- (58) **Field of Classification Search**  
USPC ..... D12/114, 406, 407, 408, 409, 410, 412,  
D12/414.1, 423, 400, 402, 218; D3/231  
CPC ..... B62J 9/00; B62J 11/00; B62J 7/08; B62J  
2017/086  
See application file for complete search history.

D585,360 S *	1/2009	Hanagan	.....	D12/410
D615,908 S *	5/2010	Ditterline	.....	D12/114
D656,081 S *	3/2012	Yonai	.....	D12/410
D670,230 S *	11/2012	Kataoka	.....	D12/410
D685,717 S *	7/2013	Franklin	.....	D12/410
D729,129 S *	5/2015	Hinsey	.....	D12/114
D729,130 S *	5/2015	Hinsey	.....	D12/114
D729,131 S *	5/2015	Hinsey	.....	D12/114
D729,701 S *	5/2015	Hinsey	.....	D12/114
D764,355 S *	8/2016	Hinsey	.....	D12/114
D764,356 S *	8/2016	Hinsey	.....	D12/114
D764,357 S *	8/2016	Hinsey	.....	D12/114
D764,358 S *	8/2016	Hinsey	.....	D12/114
D785,771 S *	5/2017	Bergin	.....	D23/325

\* cited by examiner

*Primary Examiner* — George D. Kirschbaum  
*Assistant Examiner* — Clese Moore, Jr.

(74) *Attorney, Agent, or Firm* — Ice Miller LLP

(57) **CLAIM**

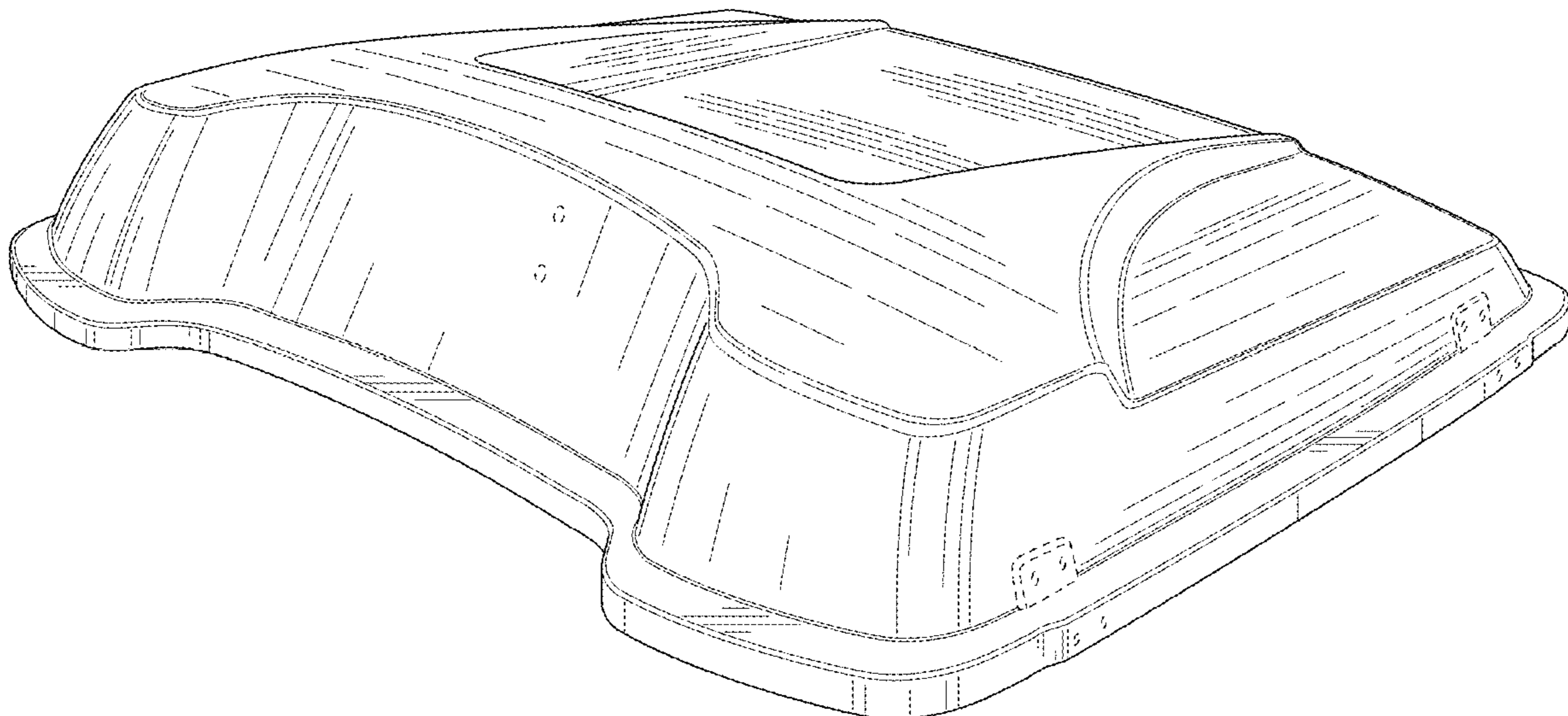
The ornamental design for a compartment lid, as shown and described.

**DESCRIPTION**

FIG. 1 is a front perspective view of the compartment lid; FIG. 2 is a rear perspective view of the compartment lid; FIG. 3 is a front elevation view of the compartment lid; FIG. 4 is a rear elevation view of the compartment lid; FIG. 5 is a left side elevation view of the compartment lid; FIG. 6 is a right side elevation view of the compartment lid; FIG. 7 is a top plan view of the compartment lid; and, FIG. 8 is a bottom plan view of the compartment lid. All of the broken lines illustrate portions of the compartment lid that form no part of the claimed design.

**1 Claim, 6 Drawing Sheets**

- (56) **References Cited**  
U.S. PATENT DOCUMENTS
- D259,780 S \* 7/1981 Davidson ..... D12/410
- D274,233 S \* 6/1984 Kusz ..... D12/410
- D281,464 S \* 11/1985 Drake ..... D19/76
- D450,632 S \* 11/2001 Morgan ..... D12/114
- D461,748 S \* 8/2002 Morgan ..... D12/114
- D462,933 S \* 9/2002 Itakura ..... D12/410
- D480,680 S \* 10/2003 Yonai ..... D12/410
- D554,566 S \* 11/2007 Johnson ..... D12/114



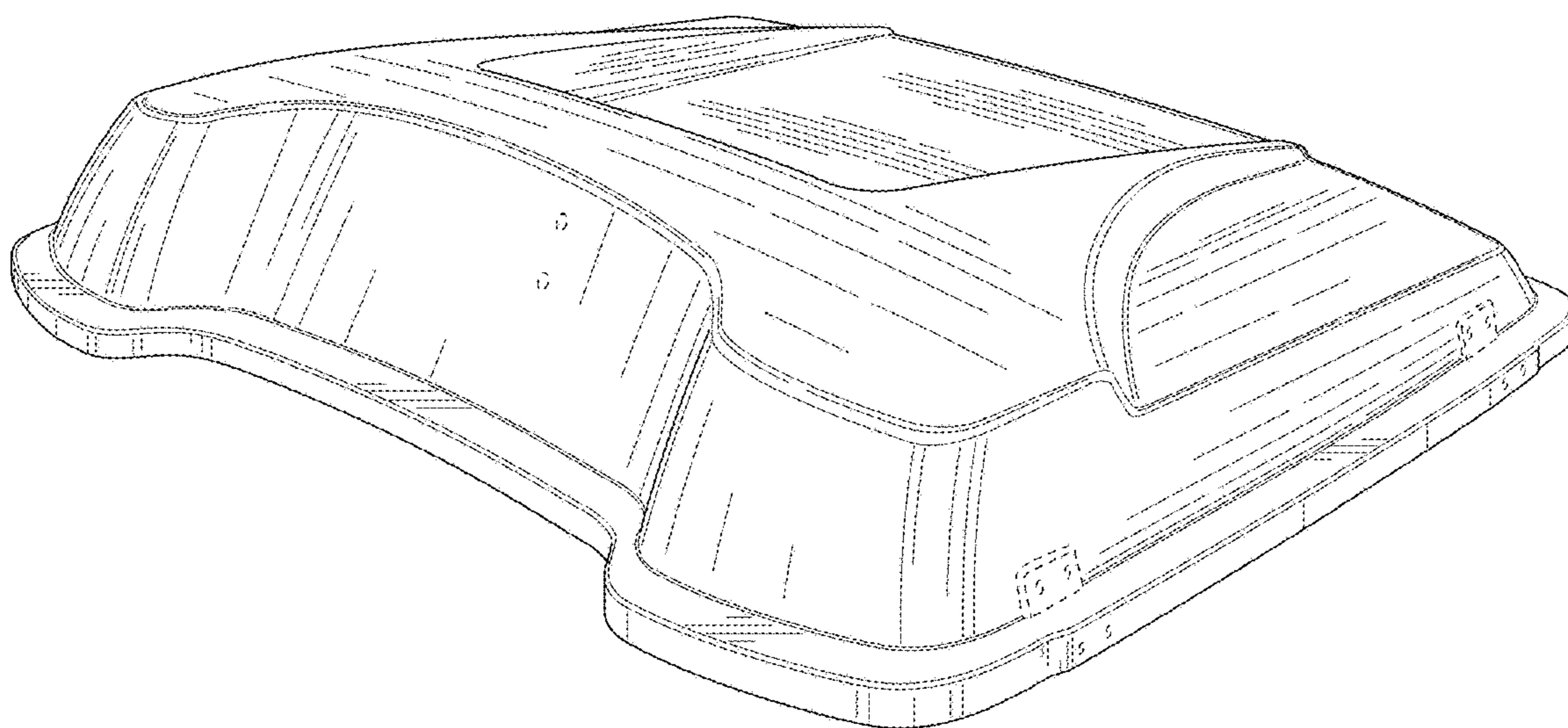


FIG. 1

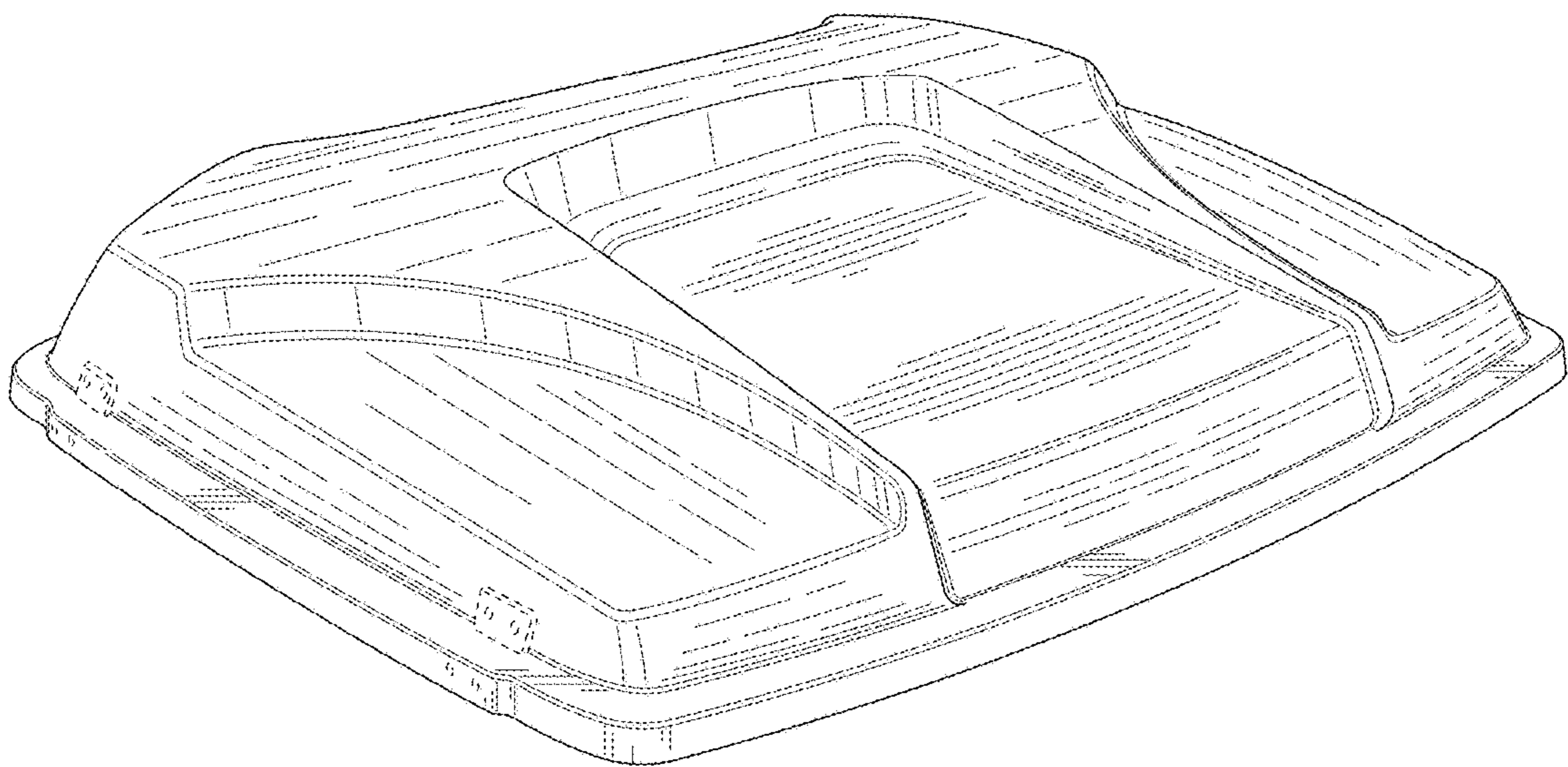


FIG. 2

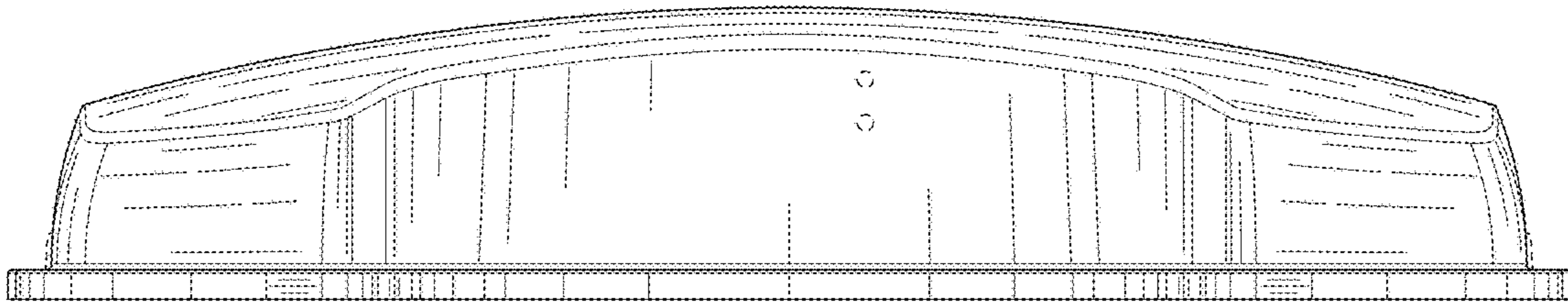


FIG. 3

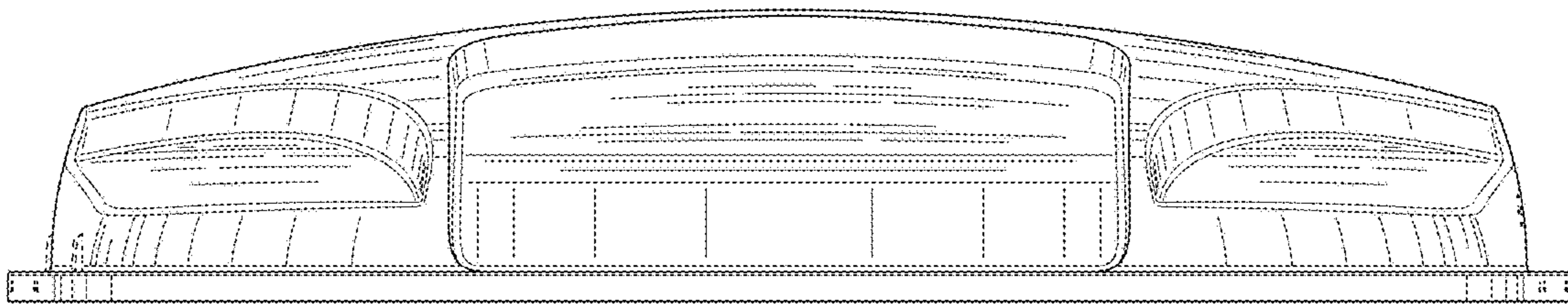


FIG. 4

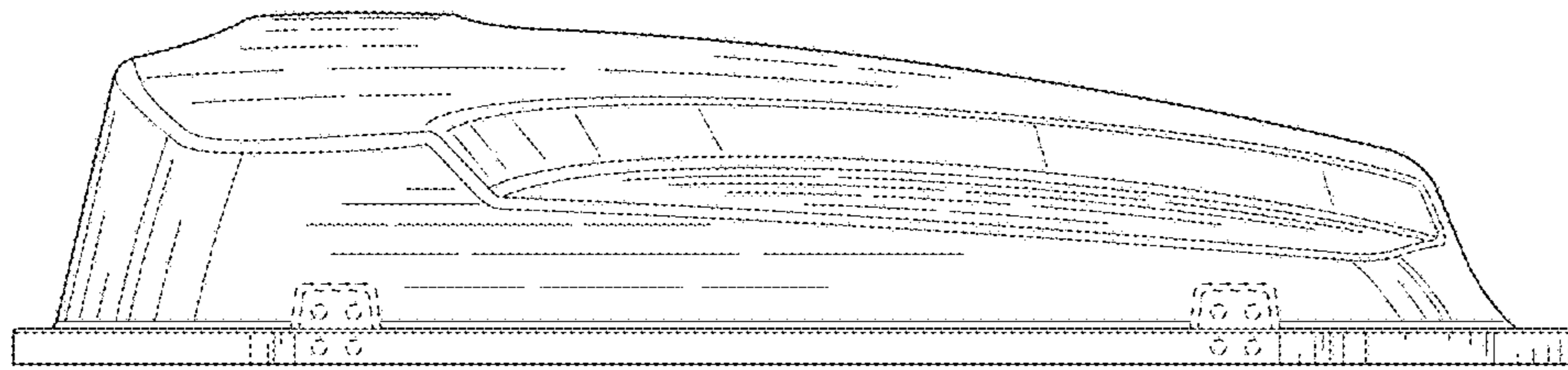


FIG. 5

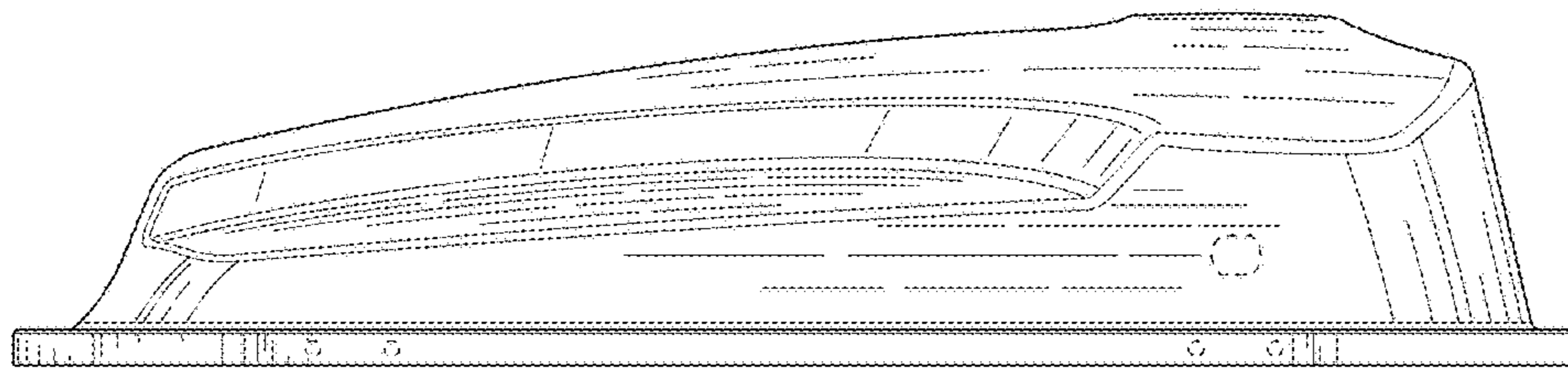


FIG. 6

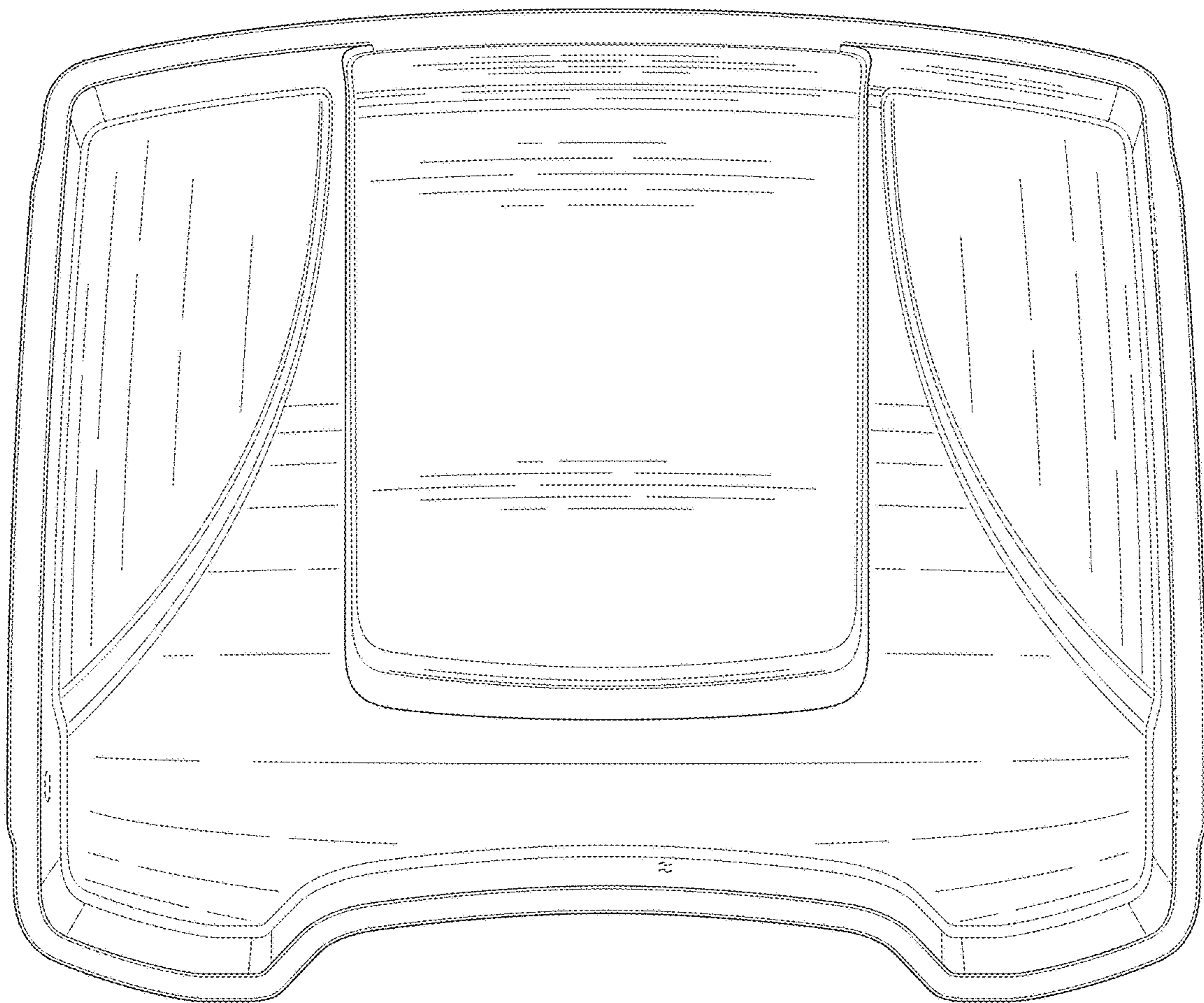


FIG. 7

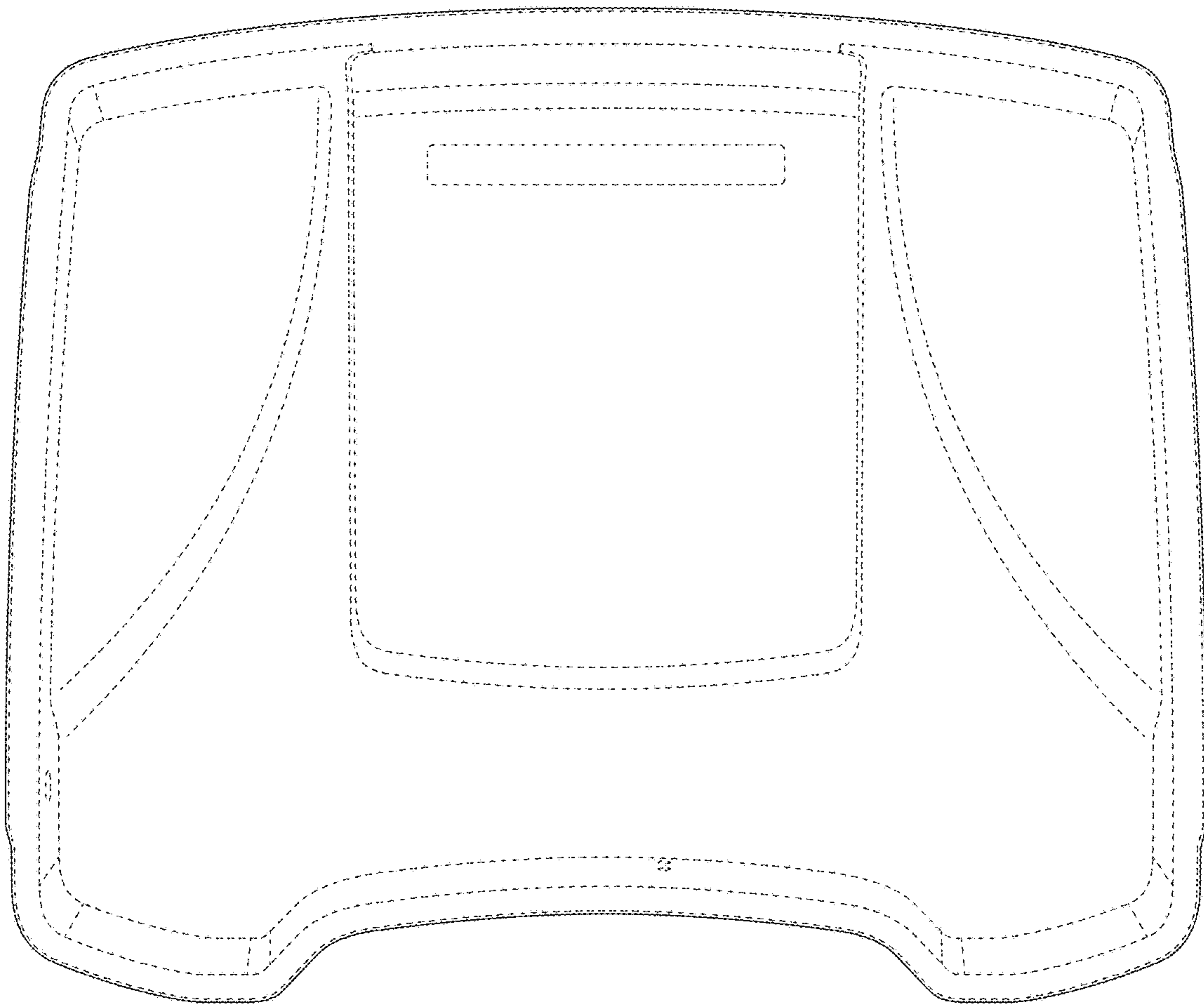


FIG. 8