



US00D839138S

(12) **United States Design Patent** (10) **Patent No.:** **US D839,138 S**
Stilli et al. (45) **Date of Patent:** **** Jan. 29, 2019**

(54) **DIRECTION INDICATOR**
(71) Applicant: **Indive Ltd.**, London (GB)
(72) Inventors: **Agostino Stilli**, London (GB); **Luca Amaduzzi**, London (GB)
(73) Assignee: **INDIVE LTD.**, London (GB)
(**) Term: **15 Years**
(21) Appl. No.: **29/611,635**
(22) Filed: **Jul. 24, 2017**
(51) **LOC (11) Cl.** **12-11**
(52) **U.S. Cl.**
USPC **D12/114; D26/28**
(58) **Field of Classification Search**
USPC D12/114, 400; D26/28-36; D14/240
CPC B62J 6/005; B62J 6/00; F21S 48/10; F21S 48/225; F21S 48/1233
See application file for complete search history.

(56) **References Cited**
U.S. PATENT DOCUMENTS
2,806,940 A * 9/1957 Worden B60Q 1/2615
362/485
D269,817 S * 7/1983 Frazier D26/28
D358,675 S * 5/1995 Wyse D26/28
D380,857 S * 7/1997 Faris D26/28
5,872,510 A * 2/1999 O'Shaughnessy B62J 6/003
116/53
D463,048 S * 9/2002 Scott D26/28
D566,698 S * 4/2008 Choi D14/240
D575,883 S * 8/2008 Park D26/2
D593,229 S * 5/2009 Hanley D26/28

D606,675 S * 12/2009 Chinaglia D26/28
D627,496 S * 11/2010 Feinbloom D26/28
D678,598 S * 3/2013 Wu D26/120
D679,443 S * 4/2013 Parekh D26/118
D743,067 S * 11/2015 Kosugi D26/28
D745,722 S * 12/2015 Smith D26/28
D775,380 S * 12/2016 Haarburger D26/28
D788,332 S * 5/2017 Amaduzzi D26/28
2005/0057917 A1 * 3/2005 Yatsuda H01L 33/507
362/84
2017/0234522 A1 * 8/2017 Olsson F21V 15/01
362/362
2017/0261196 A1 * 9/2017 Chapman F21V 31/00
2018/0162472 A1 * 6/2018 Gherezghiher B62J 6/003

* cited by examiner

Primary Examiner — Michelle E. Wilson
Assistant Examiner — Clese Moore, Jr.

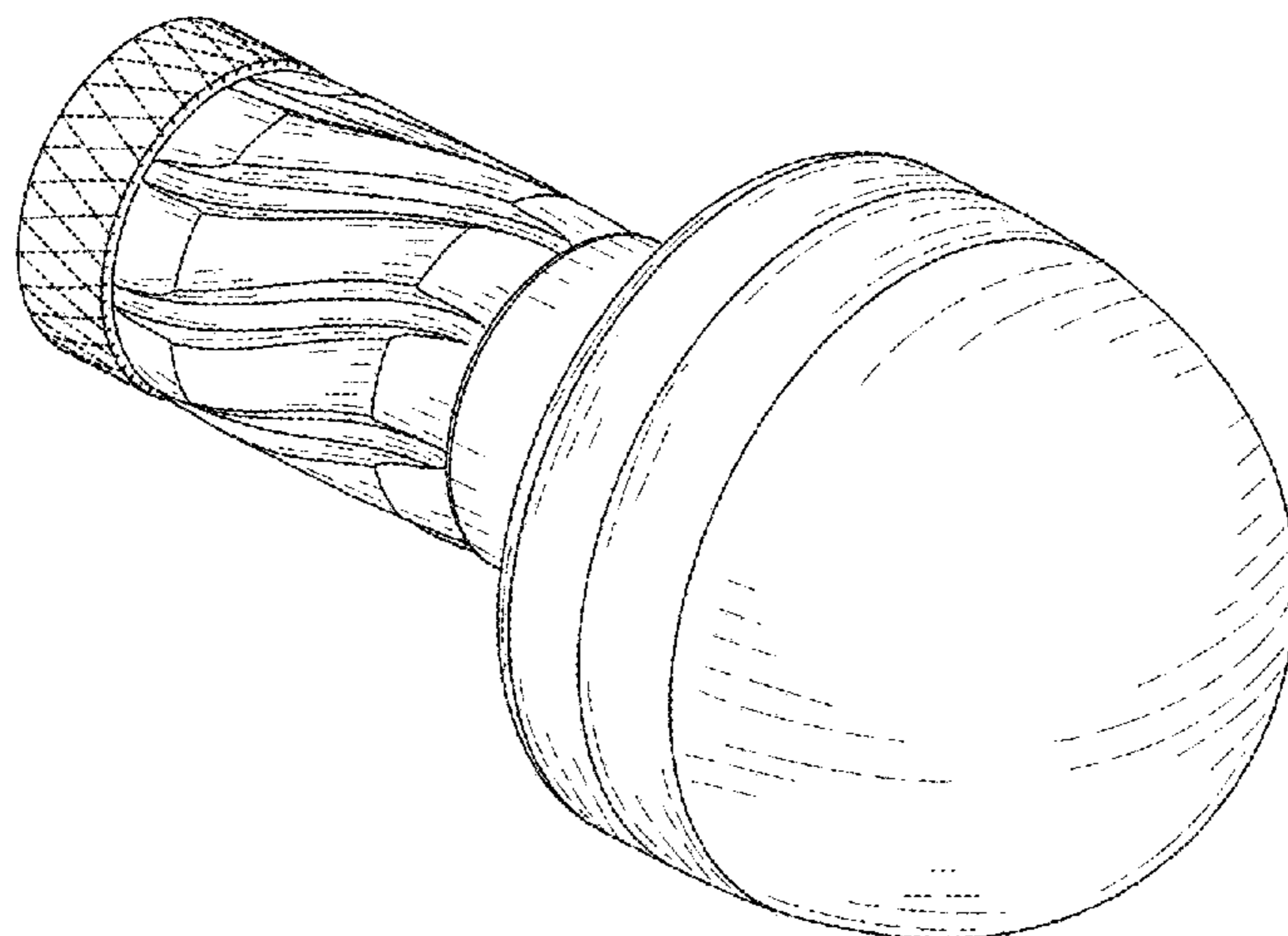
(57) **CLAIM**

The ornamental design for a direction indicator, as shown and described.

DESCRIPTION

FIG. 1 is a front perspective view of a direction indicator; FIG. 2 is a rear perspective view thereof; FIG. 3 is a front elevational view thereof; FIG. 4 is a rear elevational view thereof; FIG. 5 is a right side elevational view thereof; FIG. 6 is a left side elevational view thereof; FIG. 7 is a top plan view thereof; and, FIG. 8 is a bottom plan view thereof. The broken line showing of knurling is included for the purpose of illustrating environmental structure and forms no part of the claimed design.

1 Claim, 8 Drawing Sheets



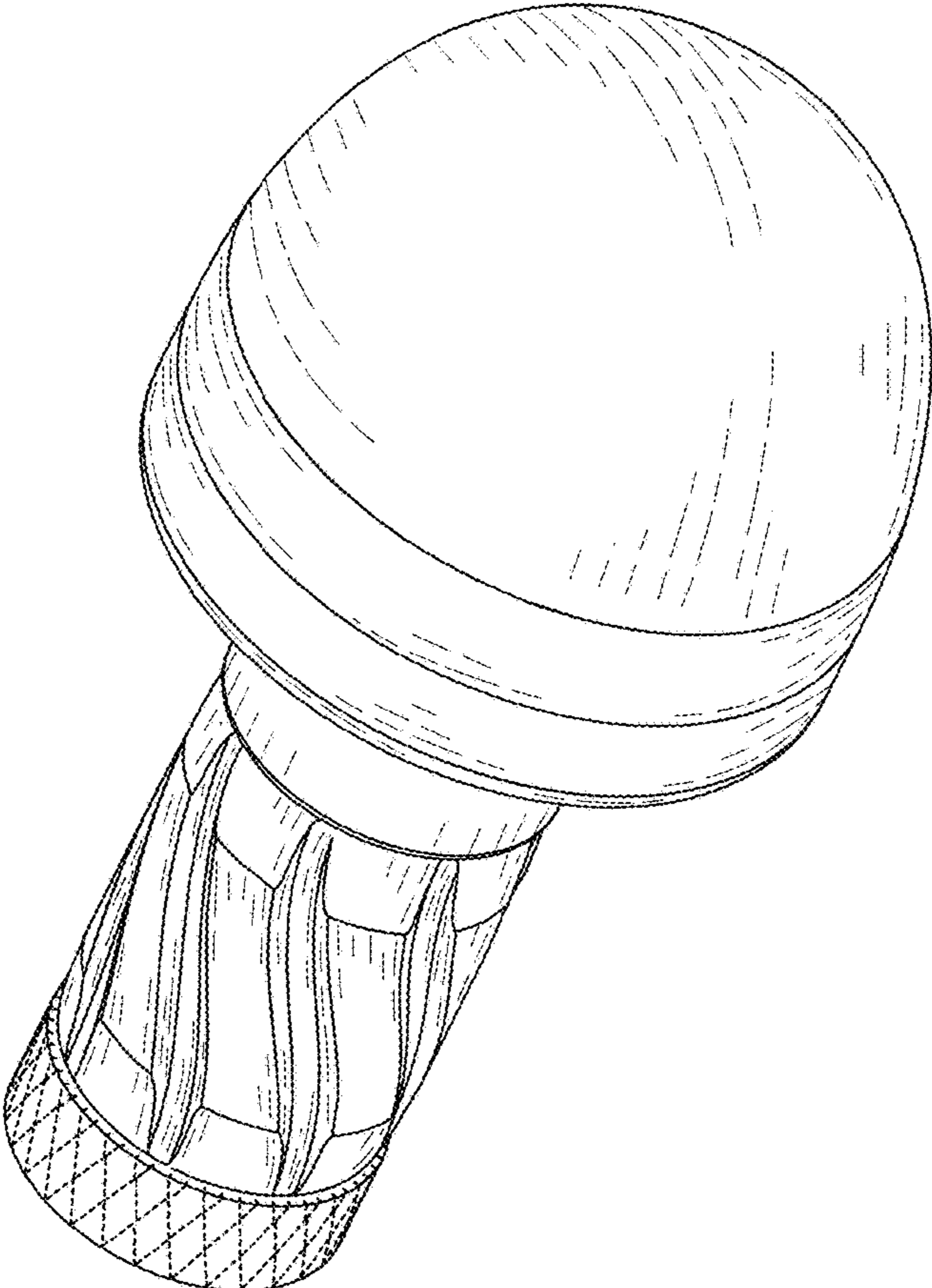


FIG. 1

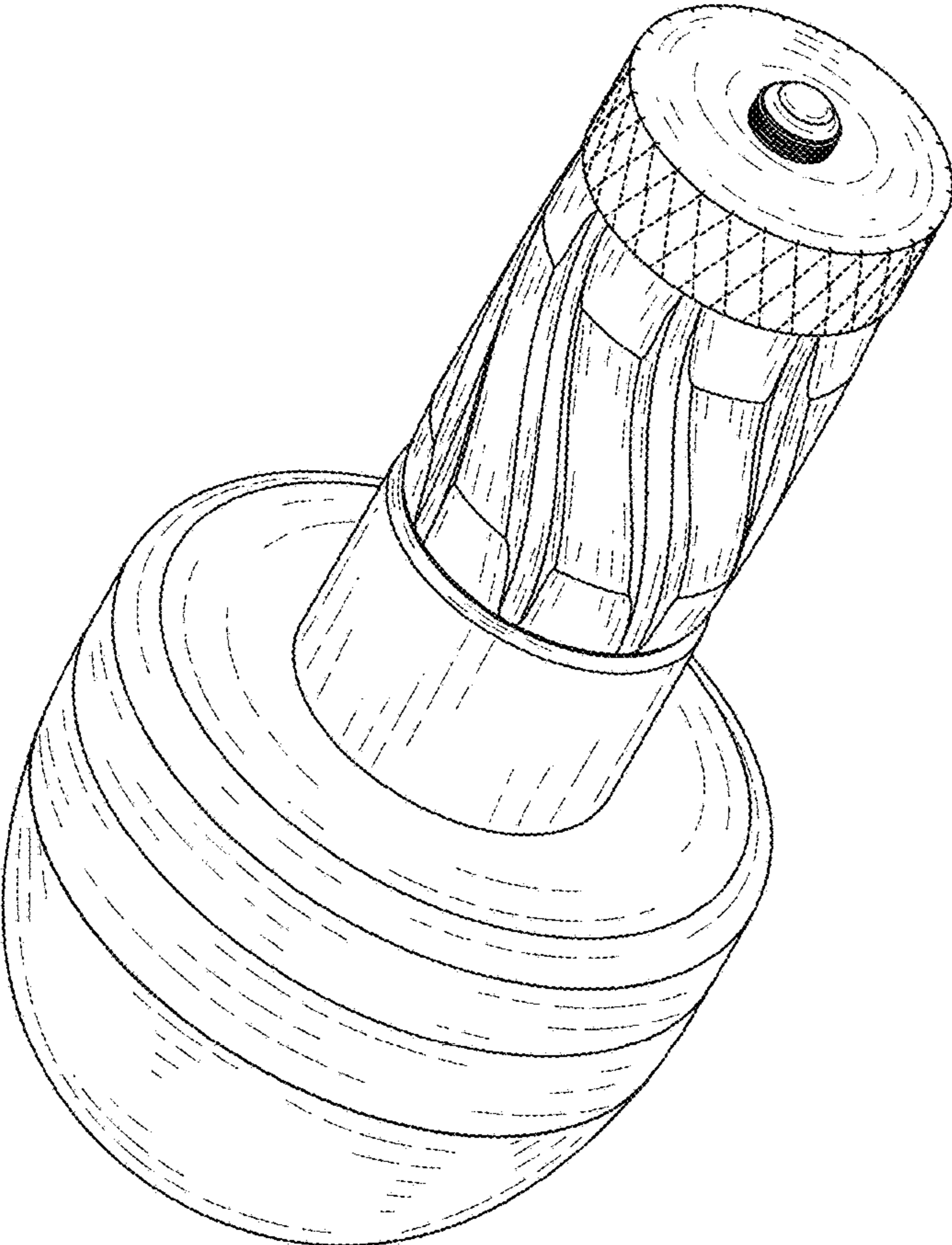


FIG. 2

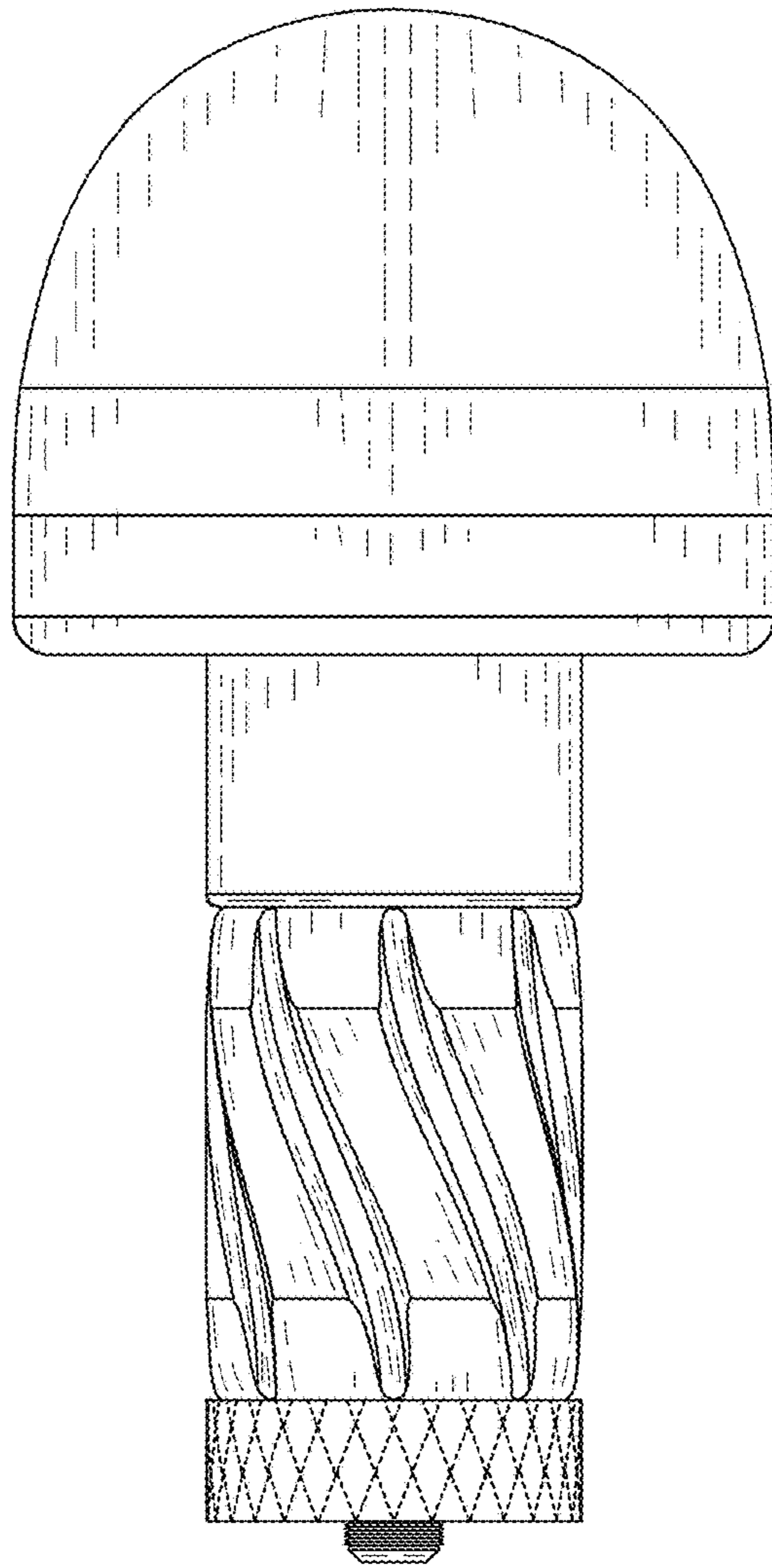


FIG. 3

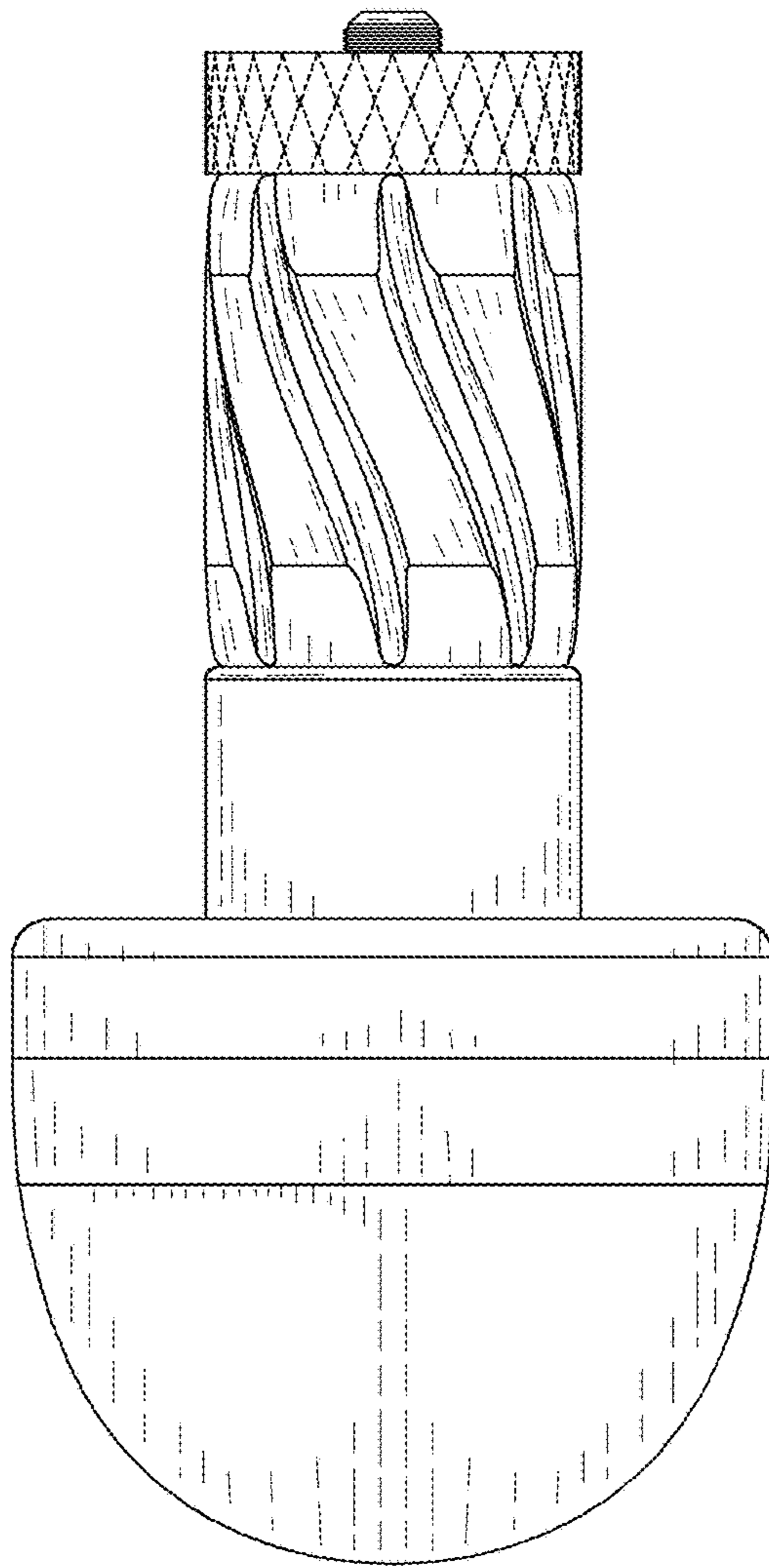


FIG. 4

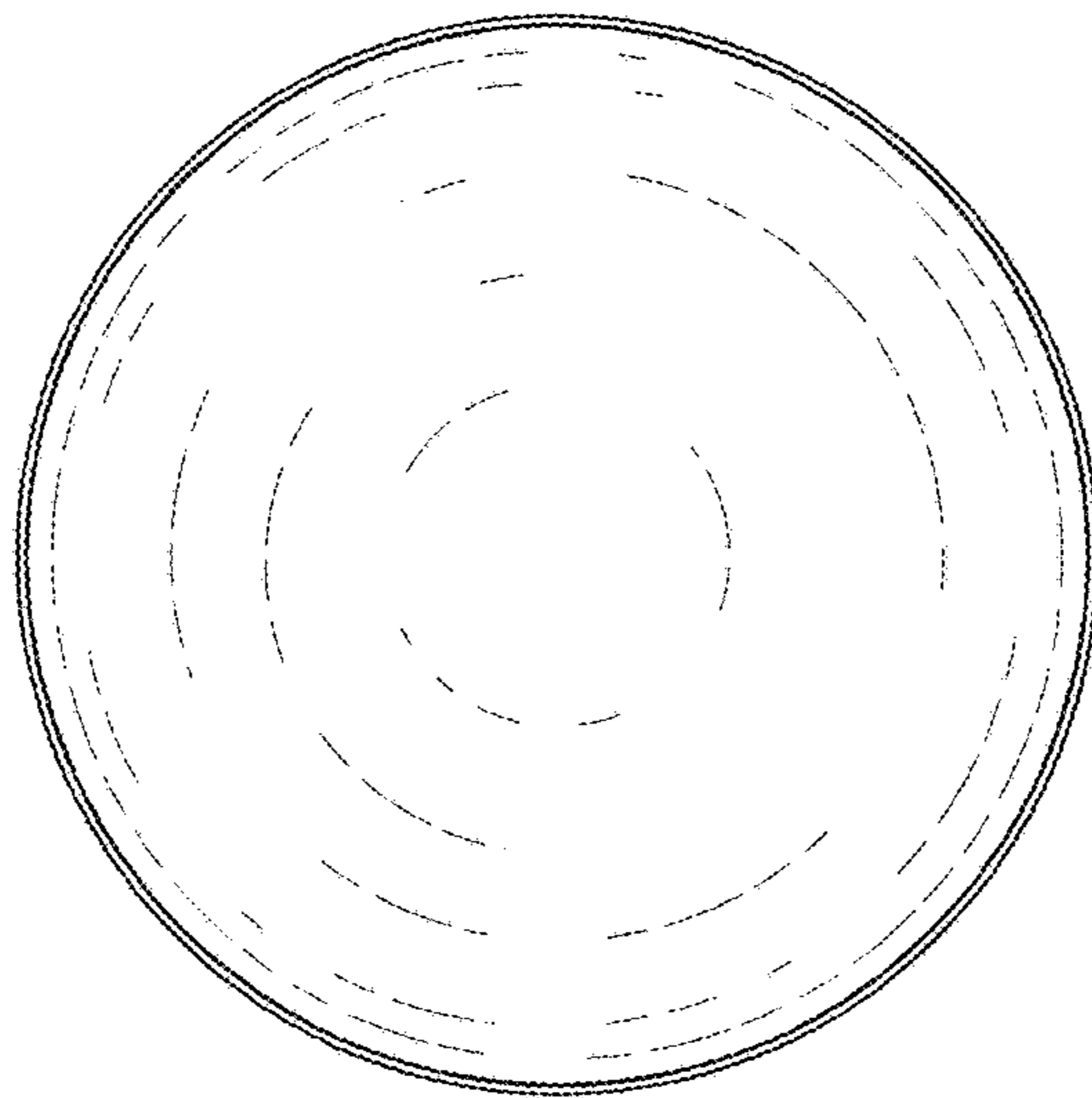


FIG. 5

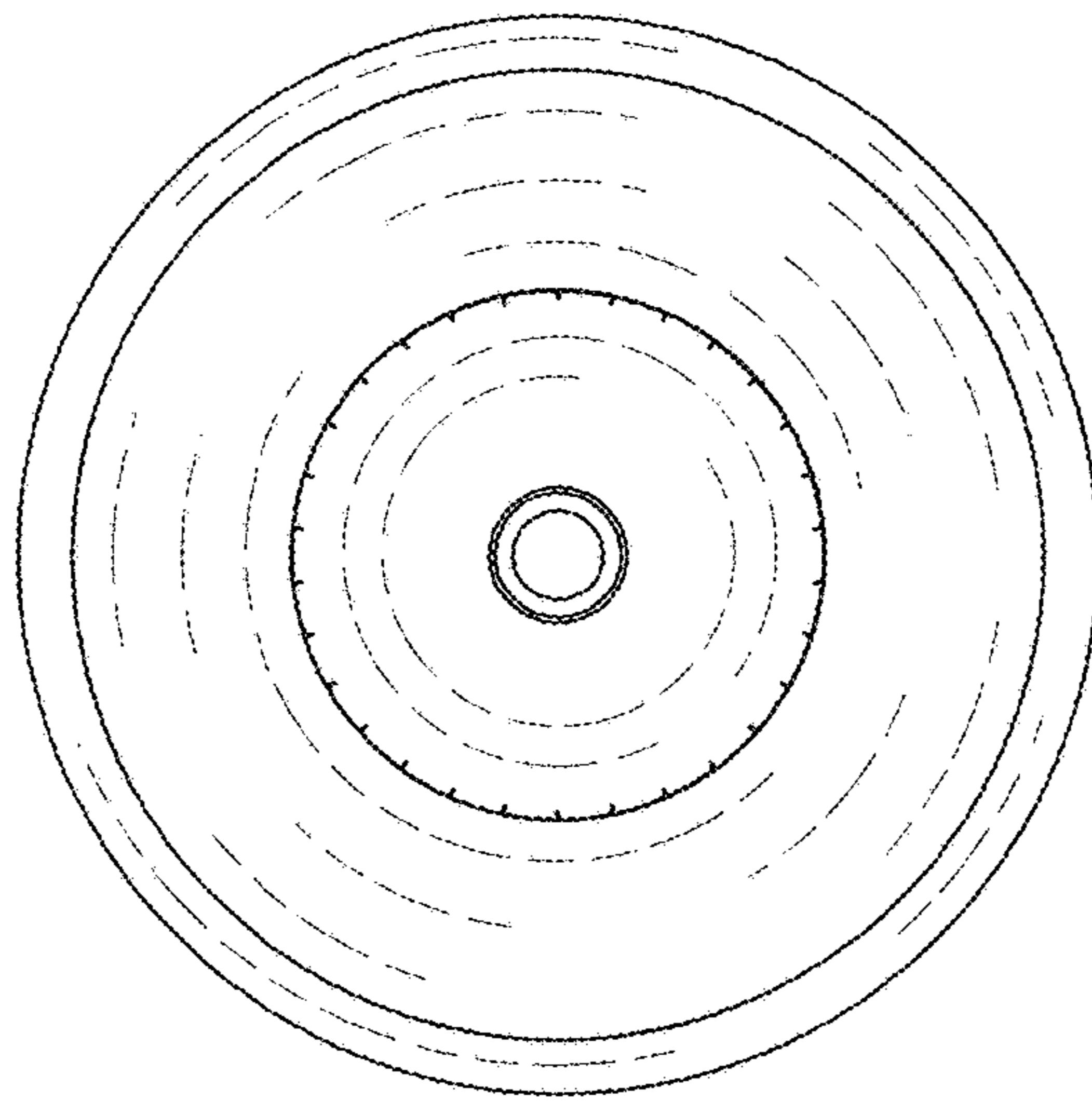


FIG. 6

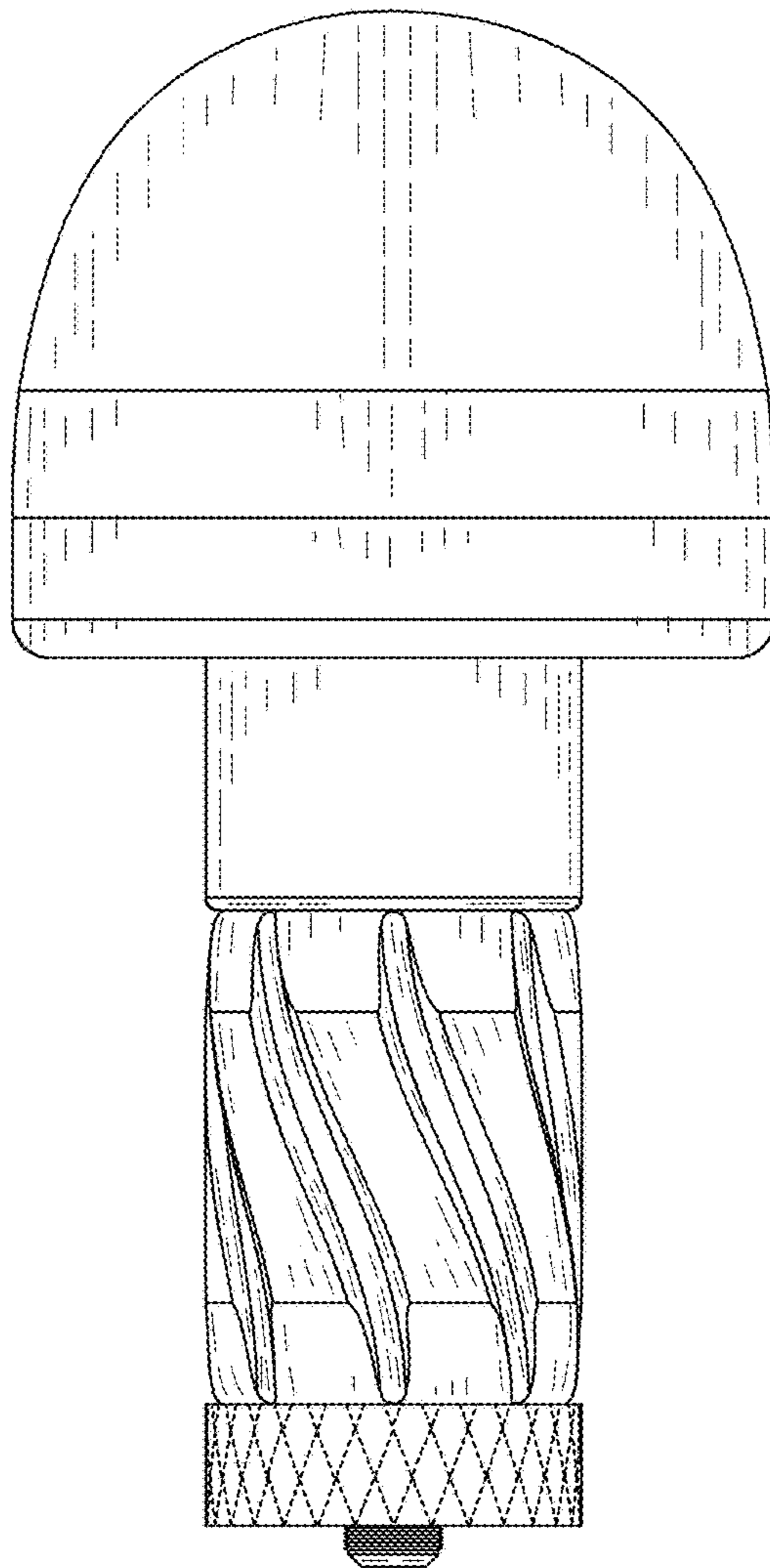


FIG. 7

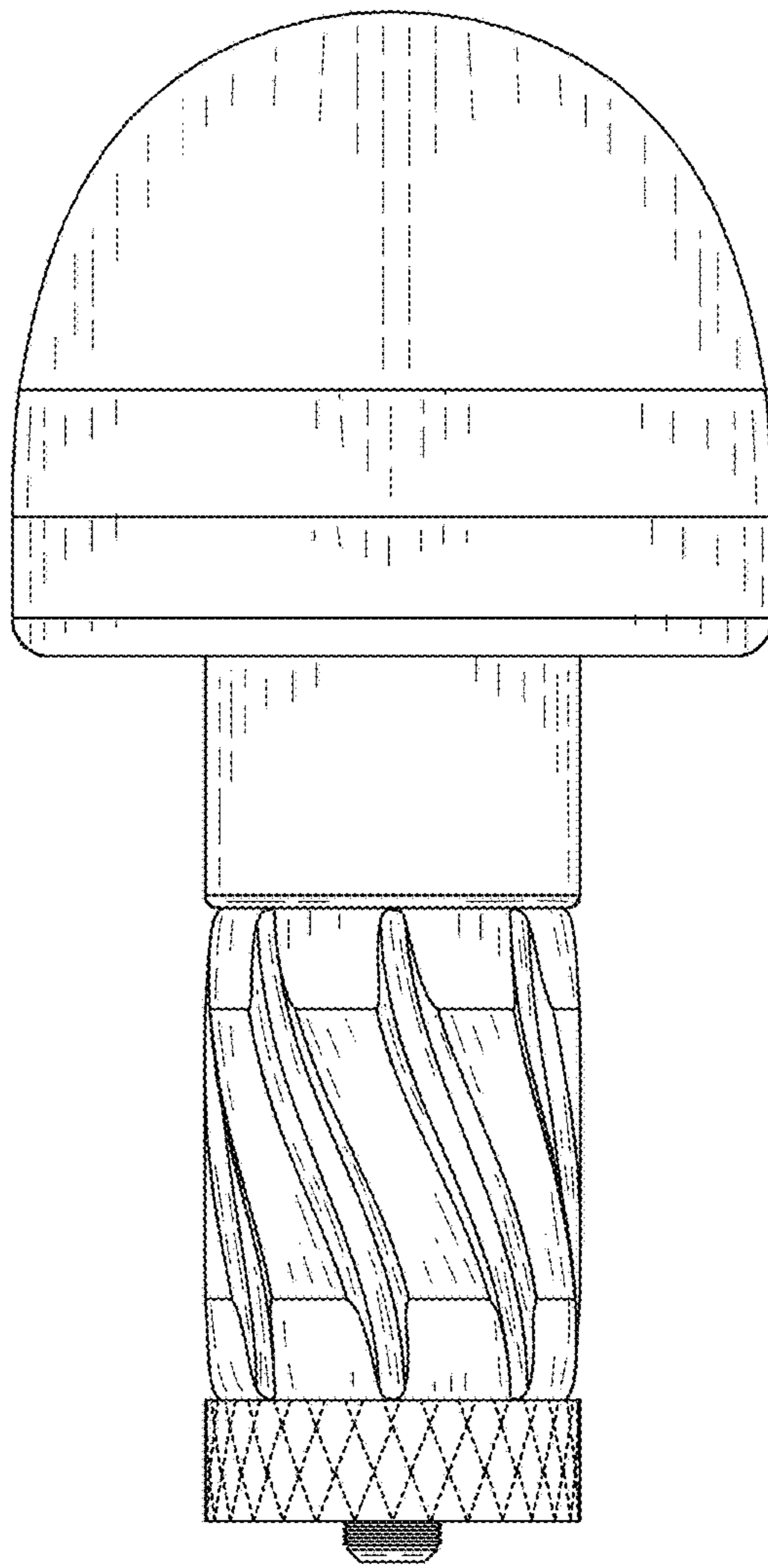


FIG. 8