



US00D839132S

(12) **United States Design Patent**  
**Cuban et al.**

(10) **Patent No.:** **US D839,132 S**  
(45) **Date of Patent:** **\*\* Jan. 29, 2019**

- (54) **WHEELED VEHICLE**
- (71) Applicant: **Radical Transport, LLC**, Dallas, TX (US)
- (72) Inventors: **Mark Cuban**, Dallas, TX (US);  
**Nicholas Fragnito**, Dallas, TX (US);  
**Evan Williams, Jr.**, Zionsville, IN (US); **Scott Wilson**, Chicago, IL (US);  
**Jeremiah O'Leary**, Chicago, IL (US)

- D738,256 S 9/2015 Ying et al.
- D779,375 S \* 2/2017 Zeng ..... D12/1
- D784,195 S 4/2017 Ying
- D784,196 S 4/2017 Ying
- D784,198 S 4/2017 Zhu
- D785,112 S 4/2017 Ying
- D785,113 S 4/2017 Ying
- D785,114 S \* 4/2017 Ying ..... D21/760
- D785,736 S 5/2017 Ying

(Continued)

- (73) Assignee: **Radical Transport, LLC**, Dallas, TX (US)

- CN 104494750 A 4/2015
- CN 105129005 A 12/2015

(Continued)

- (\*\*) Term: **15 Years**

*Primary Examiner* — T Chase Nelson  
*Assistant Examiner* — Ania Aman

- (21) Appl. No.: **29/573,165**

(74) *Attorney, Agent, or Firm* — Fish & Richardson P.C.

- (22) Filed: **Aug. 3, 2016**

- (51) **LOC (11) Cl.** ..... **12-14**

(57) **CLAIM**

- (52) **U.S. Cl.**  
USPC ..... **D12/1; D21/763**

The ornamental design for a wheeled vehicle, as shown and described.

- (58) **Field of Classification Search**  
USPC ..... D12/1; D21/419, 763, 421, 423, 426,  
D21/760, 765, 766, 769, 771, 776, 803  
CPC ..... A63C 17/01; A63C 17/12; A63C 2203/00;  
A63C 2203/01; A63C 2203/012; A63C  
2203/013; A63C 2203/40; A63C 2203/52;  
A63C 17/0033; A63C 17/016; A63C  
17/08; B62D 51/02; B62D 51/001; B62D  
61/00; B62D 37/00; B62K 2202/00;  
B62K 2207/00; B62K 2207/02; B62K  
2207/04; B62K 3/007; B62K 17/00;  
B62K 11/007; B60N 2/002; B60G 17/019  
See application file for complete search history.

**DESCRIPTION**

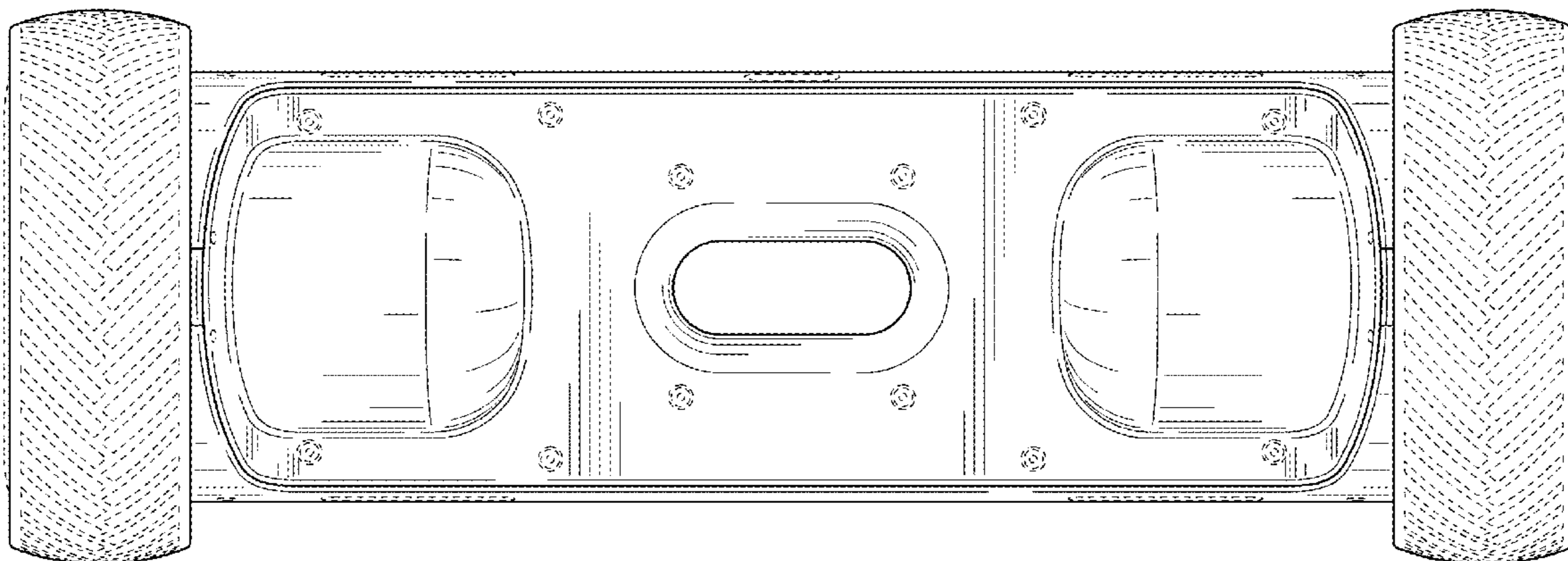
FIG. 1 is a top, right side perspective view of a wheeled vehicle showing our new design.  
 FIG. 2 is a front view of the wheeled vehicle of FIG. 1.  
 FIG. 3 is a back view of the wheeled vehicle of FIG. 1.  
 FIG. 4 is a left side view of the wheeled vehicle of FIG. 1.  
 FIG. 5 is a right side view of the wheeled vehicle of FIG. 1.  
 FIG. 6 is a top view of the wheeled vehicle of FIG. 1.  
 FIG. 7 is a bottom view of the wheeled vehicle of FIG. 1; and,  
 FIG. 8 is a bottom, right side perspective view of the wheeled vehicle of FIG. 1.  
 In the drawings, the broken lines depict unclaimed portions of the wheeled vehicle and form no part of the claimed design.

(56) **References Cited**

**U.S. PATENT DOCUMENTS**

- 7,303,032 B2 12/2007 Kahlert et al.
- 8,738,278 B2 5/2014 Chen

**1 Claim, 7 Drawing Sheets**



(56)

**References Cited**

U.S. PATENT DOCUMENTS

D786,130	S *	5/2017	Huang	.....	D12/1
D786,994	S	5/2017	Chen et al.		
D786,995	S *	5/2017	Ying	.....	D21/760
D787,982	S *	5/2017	Khamenian	.....	D12/1
D803,722	S	11/2017	Ying		
D803,963	S	11/2017	Desberg		
D808,858	S *	1/2018	Wang	.....	D12/1
D808,859	S *	1/2018	Wang	.....	D12/1
2005/0121238	A1	6/2005	Ishii		
2006/0260862	A1	11/2006	Nishikawa		
2013/0032422	A1	2/2013	Chen		
2013/0206493	A1	8/2013	Larson et al.		
2013/0228385	A1	9/2013	Chen		
2017/0088211	A1 *	3/2017	Jiang	.....	B62K 11/007
2017/0088212	A1 *	3/2017	Edney	.....	B60W 40/13
2017/0101129	A1 *	4/2017	Ying	.....	B62D 11/003
2017/0106931	A1 *	4/2017	Wood	.....	B62K 11/007
2017/0217489	A1 *	8/2017	Ying	.....	B62D 11/003
2017/0297653	A1 *	10/2017	Zheng	.....	B62K 3/007
2017/0349231	A1 *	12/2017	Wood	.....	G01G 3/1402
2018/0037290	A1 *	2/2018	Ying	.....	B62K 11/007
2018/0072367	A1 *	3/2018	Li	.....	B62K 11/007

FOREIGN PATENT DOCUMENTS

CN	205311778	U	6/2016
EP	2143472	A1	1/2010
EP	2329866	A1	6/2011
WO	WO2017053069	A1	3/2017
WO	WO2017066794	A1	4/2017

\* cited by examiner

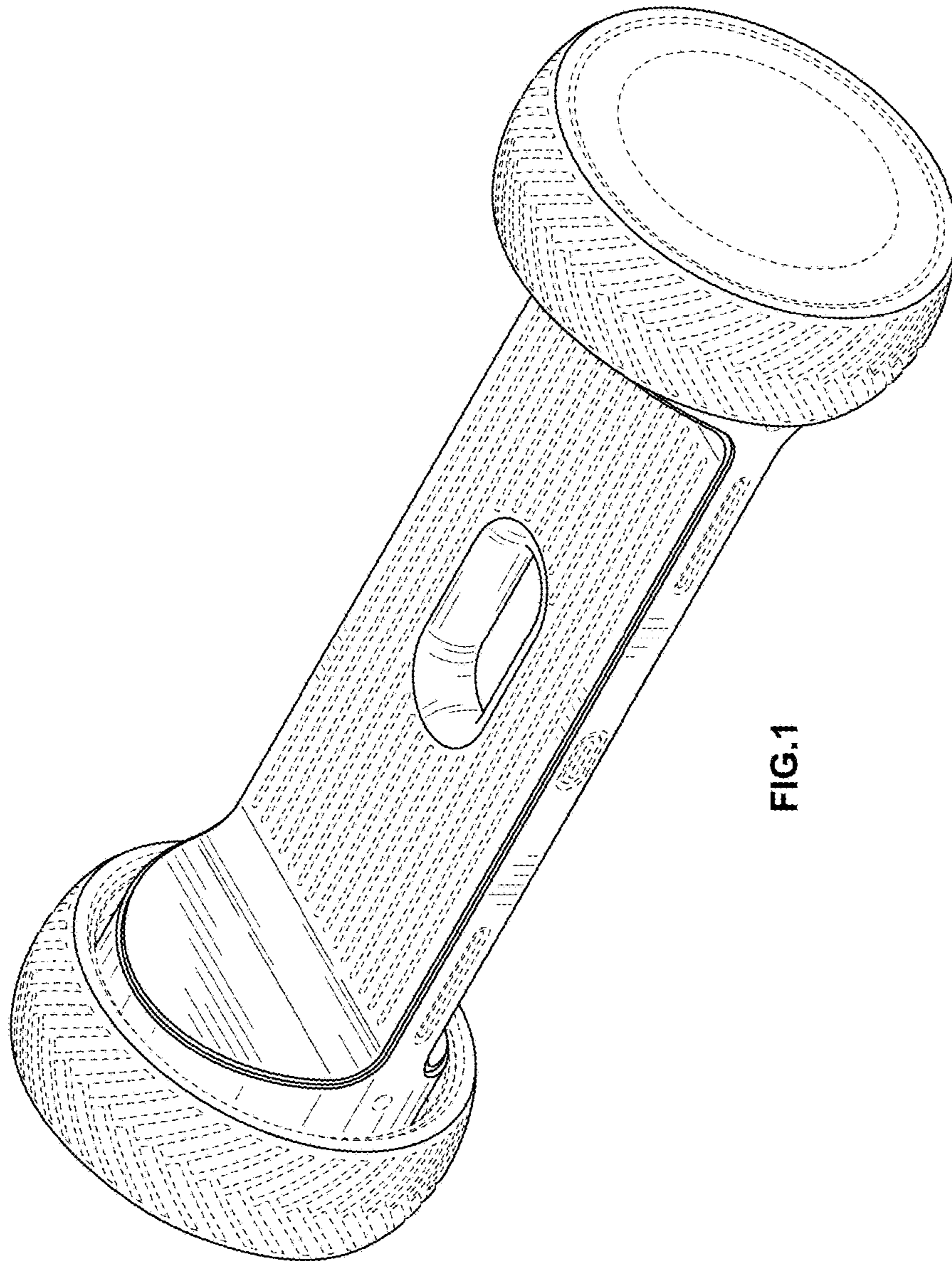


FIG.1



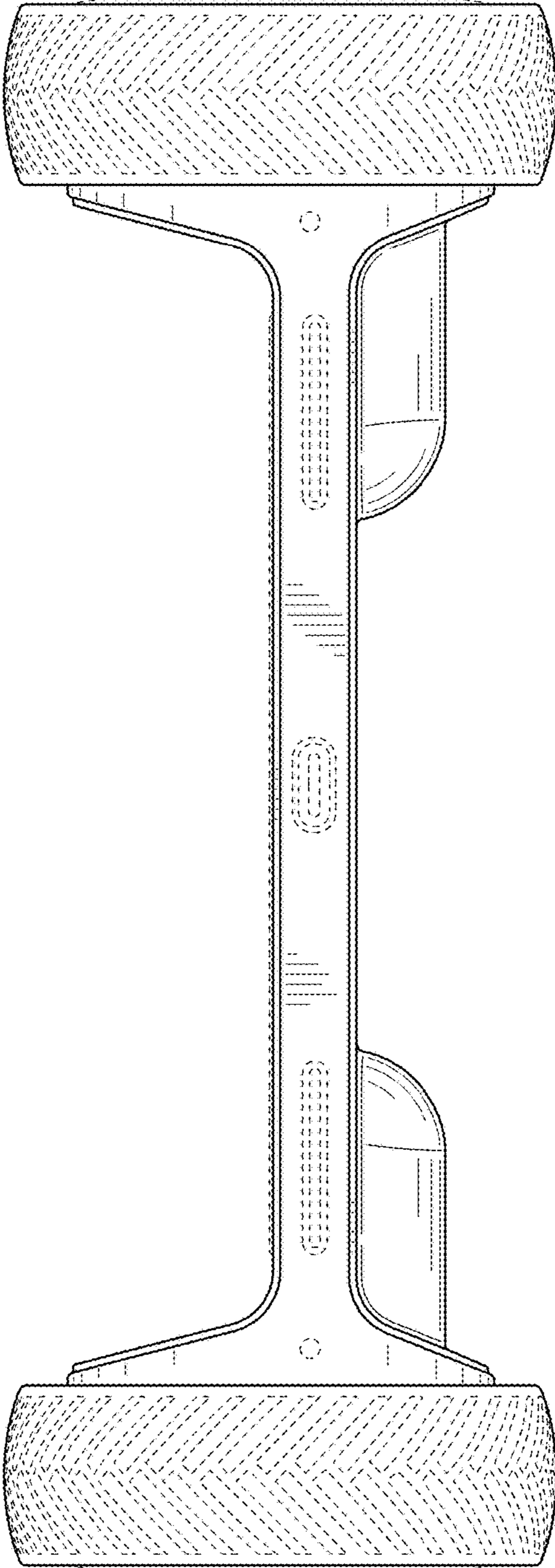


FIG. 2

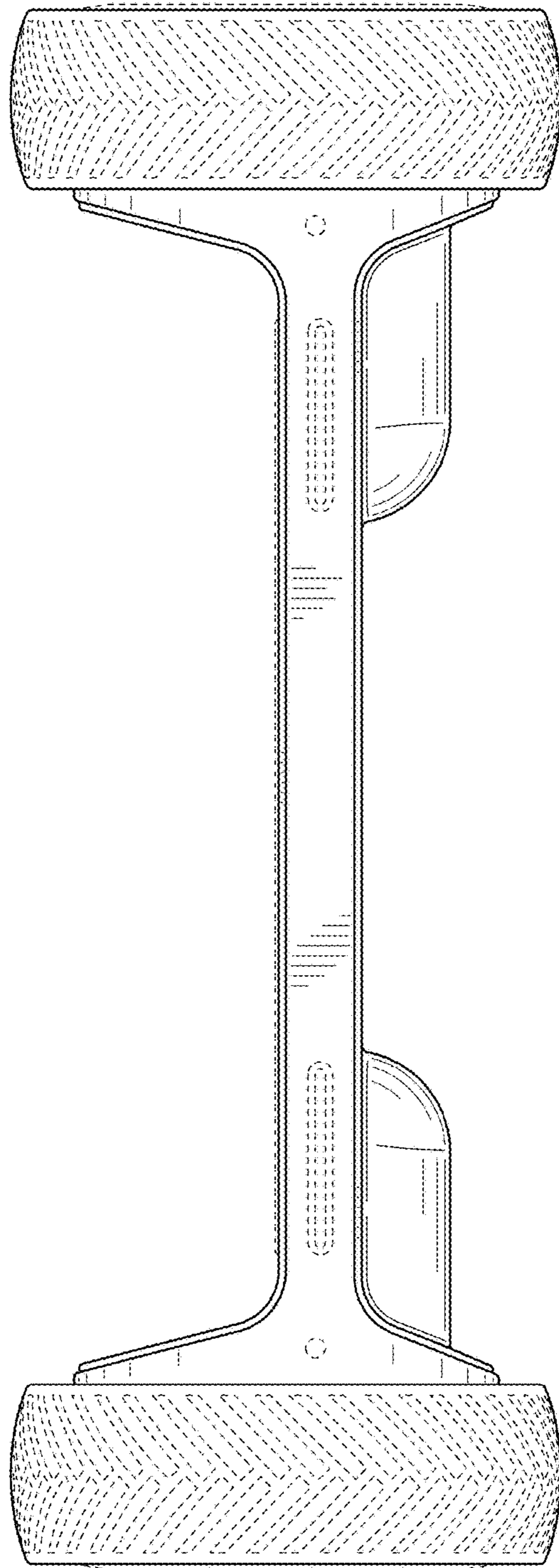


FIG. 3

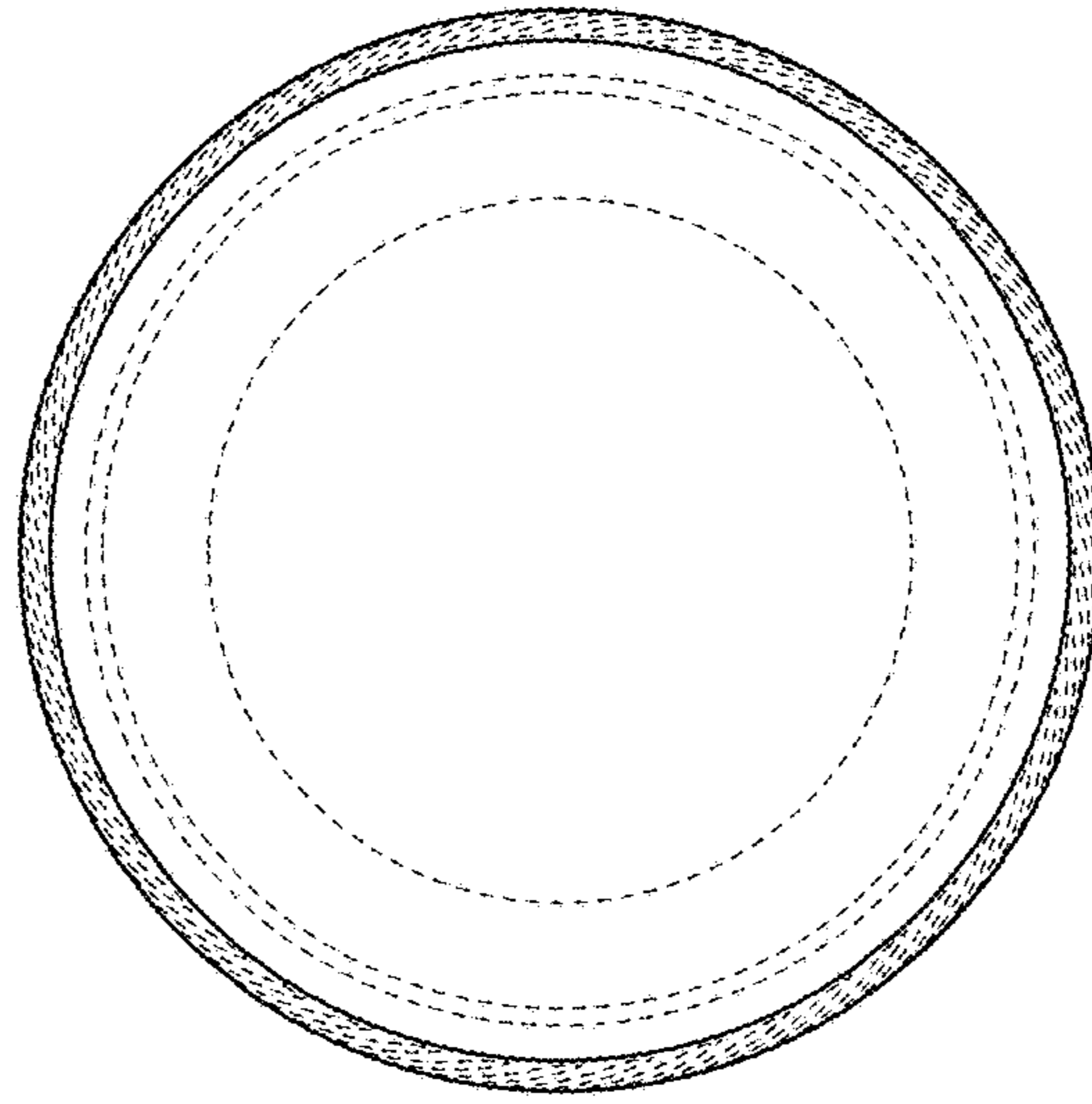


FIG. 5

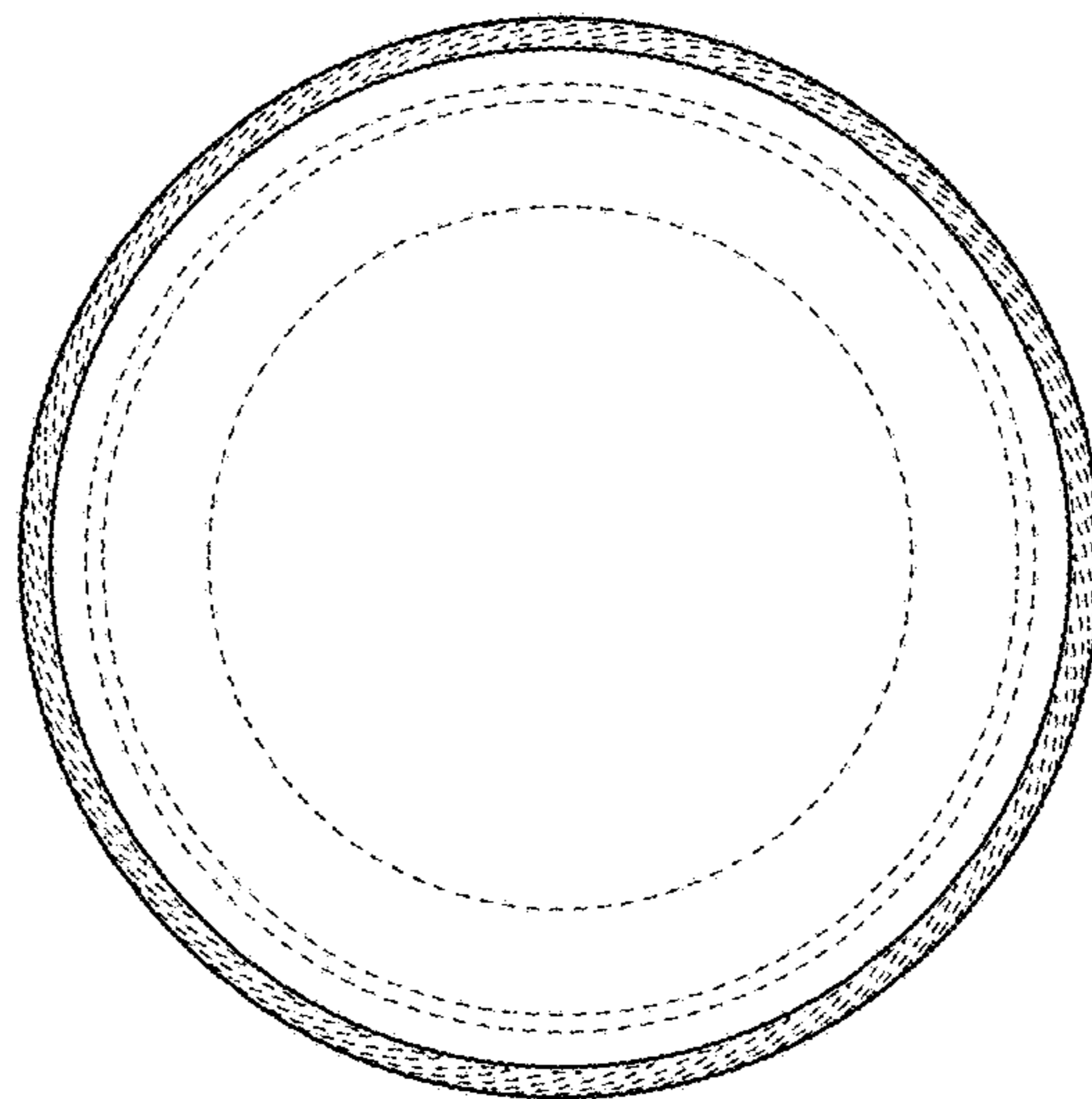


FIG. 4

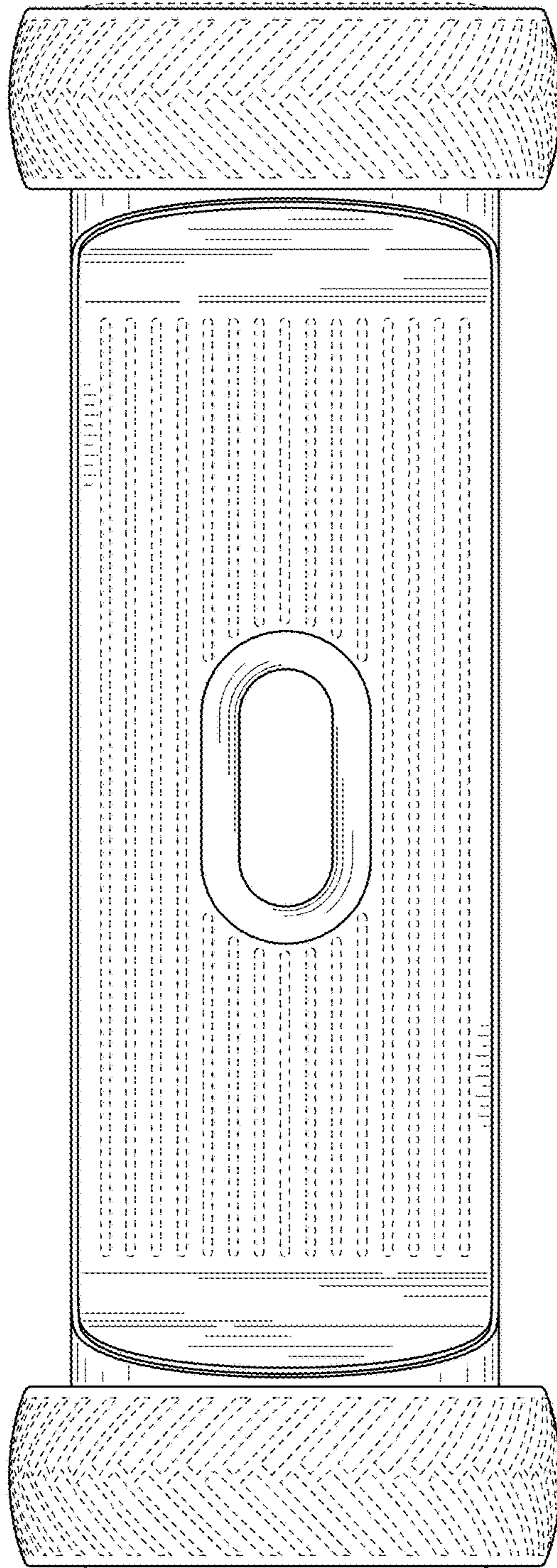


FIG. 6



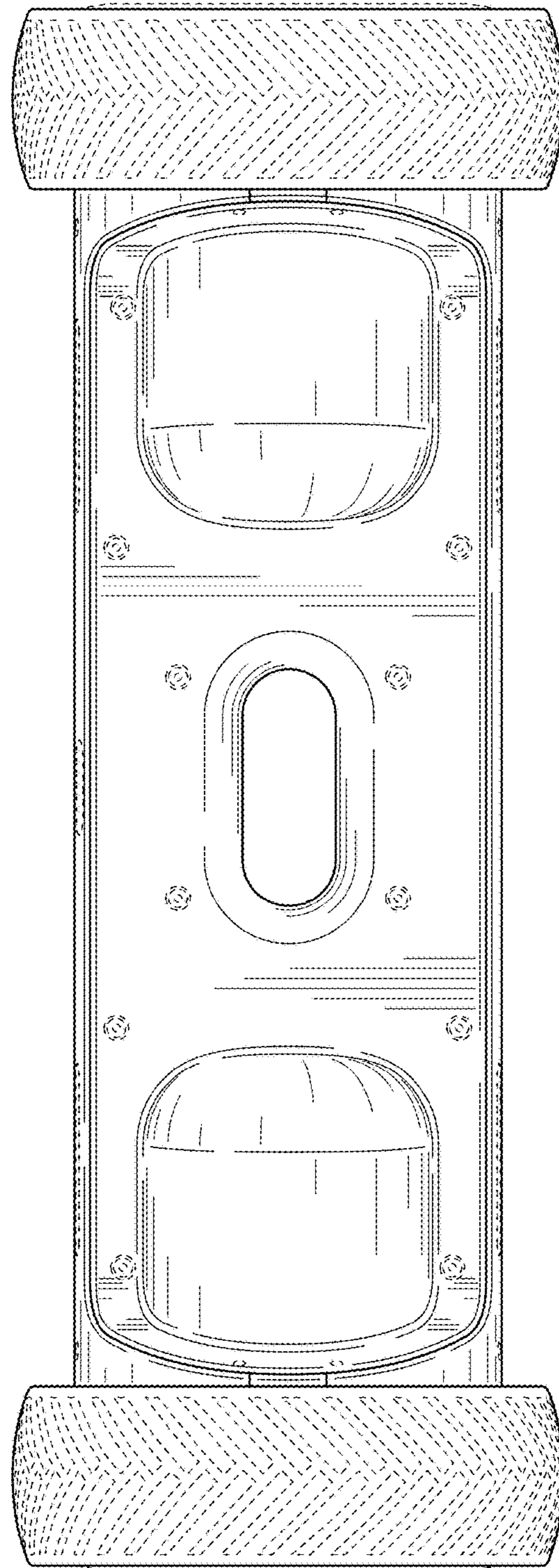


FIG. 7



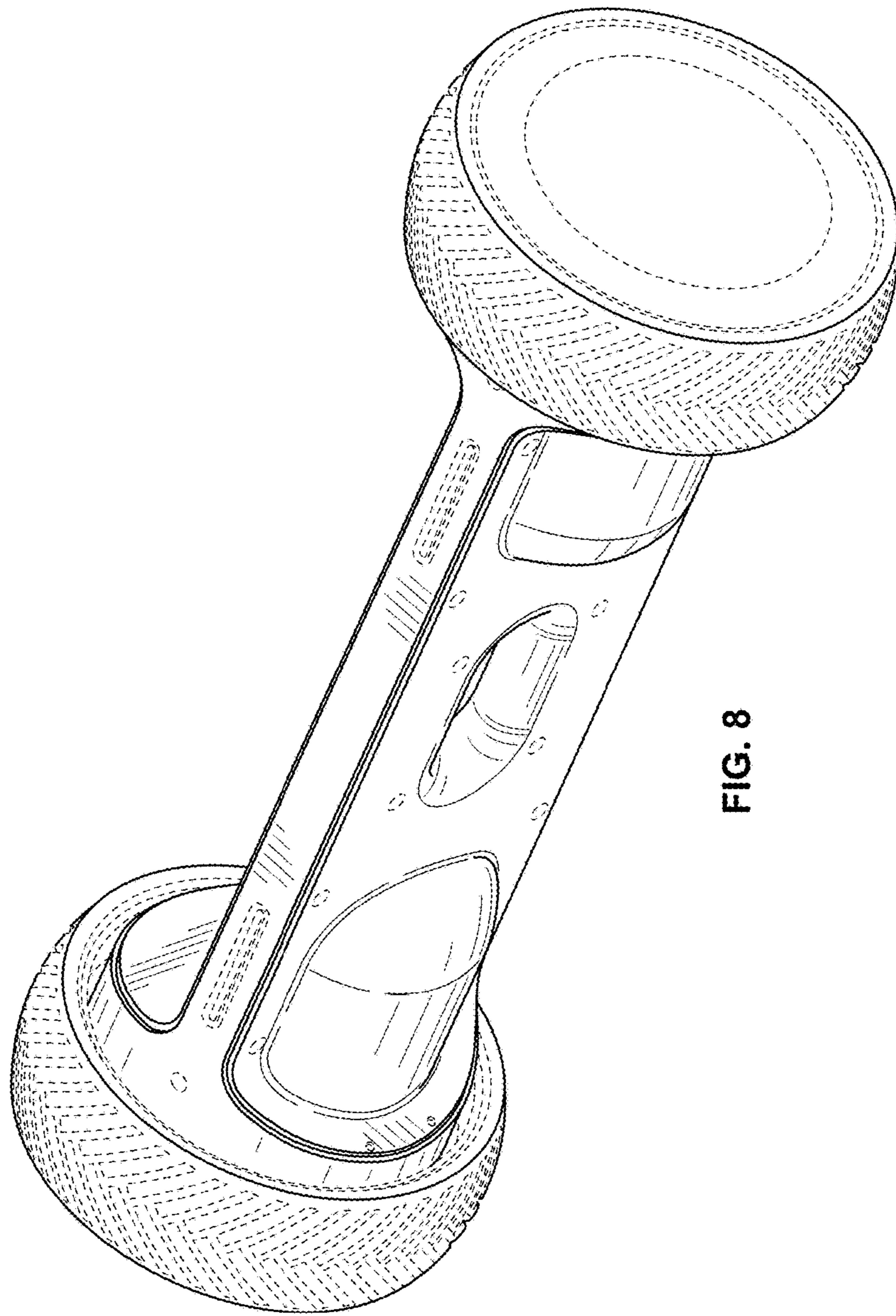


FIG. 8