



US00D839131S

(12) **United States Design Patent**
Lynch et al.

(10) **Patent No.:** **US D839,131 S**
(45) **Date of Patent:** **** Jan. 29, 2019**

- (54) **FASTENER ASSEMBLY**
- (71) Applicants: **Kathleen Lynch**, Henderson, NV (US);
Jessica Weingartner, Ashburn, VA (US)
- (72) Inventors: **Kathleen Lynch**, Henderson, NV (US);
Jessica Weingartner, Ashburn, VA (US)
- (**) Term: **15 Years**
- (21) Appl. No.: **29/546,864**
- (22) Filed: **Nov. 25, 2015**
- (51) **LOC (11) Cl.** **02-07**
- (52) **U.S. Cl.**
USPC **D11/200**
- (58) **Field of Classification Search**
USPC D11/1-2, 200-201, 206-210, 214-218,
D11/222, 226, 228; 24/163 R, 169-171,
24/173, 177-179, 191, 194-195, 197,
24/200, 614-616, 625, 198, 578.11,
24/578.1, 163 K, 114, 113 MP, 66.9;
D2/853, 624; 63/20
CPC A44B 11/26; A44B 11/25; A44B 11/06;
A44B 11/04; A44B 11/01; A44B 11/001;
A44B 11/10; A44B 6/00
See application file for complete search history.

- 3,715,781 A * 2/1973 Salvatori A44B 1/28
24/113 MP
- 4,435,963 A * 3/1984 Shigeru A44C 3/00
220/319
- 5,156,023 A * 10/1992 Bevolo A44C 1/00
24/103
- 5,195,220 A * 3/1993 Herman A44B 1/04
24/113 MP
- D337,967 S * 8/1993 Wright D11/222
- D377,919 S * 2/1997 Singer D11/222
- 5,655,271 A * 8/1997 Maxwell-Trumble
A44C 3/001
24/113 MP
- D486,094 S * 2/2004 Candotti D11/226
- 8,347,416 B1 * 1/2013 Query A41F 1/00
2/244
- D729,118 S * 5/2015 Johnson D11/200
- D739,206 S * 9/2015 Foret D11/220
- D746,027 S * 12/2015 Kremer D2/853

* cited by examiner

Primary Examiner — Ralf Seifert
(74) *Attorney, Agent, or Firm* — Dusty Gwinn

(57) **CLAIM**

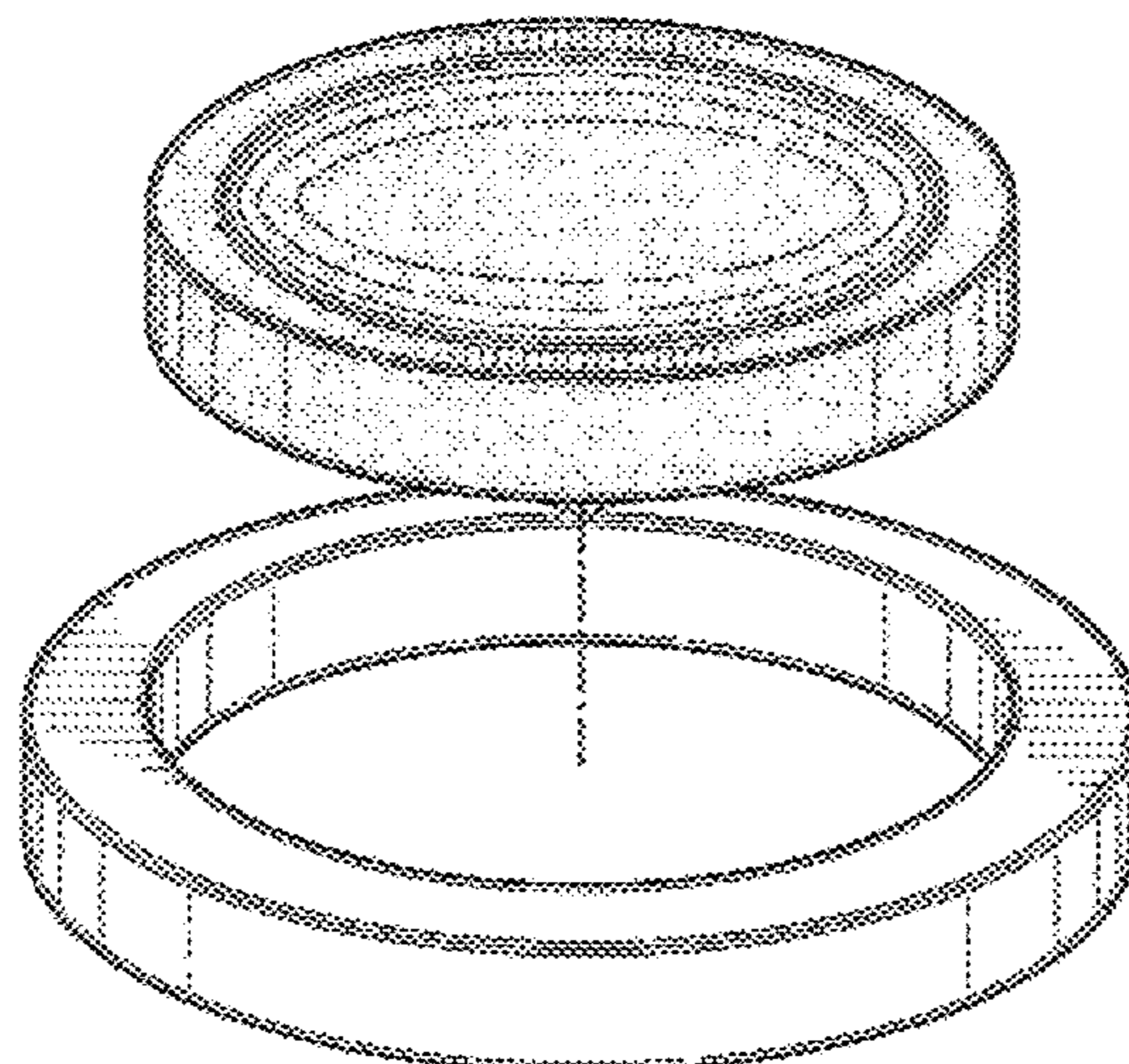
The ornamental design of fastener assembly, as shown and described.

DESCRIPTION

FIG. 1 is a perspective view showing our new fastener assembly;
FIG. 2 is a exploded perspective view thereof;
FIG. 3 is a top view thereof;
FIG. 4 is a bottom view thereof;
FIG. 5 is a exploded perspective view thereof;
FIG. 6 is a exploded perspective view thereof;
FIG. 7 is a exploded perspective view thereof; and,
FIG. 8 is a exploded perspective view thereof.

1 Claim, 4 Drawing Sheets

- (56) **References Cited**
U.S. PATENT DOCUMENTS
437,550 A * 9/1890 Armentrout A45F 5/02
24/1
1,084,233 A * 1/1914 Roarke A41F 17/00
2/273
1,830,619 A * 11/1931 Patt A44C 17/02
63/15
2,783,517 A * 3/1957 Bernstein A44B 11/001
24/191



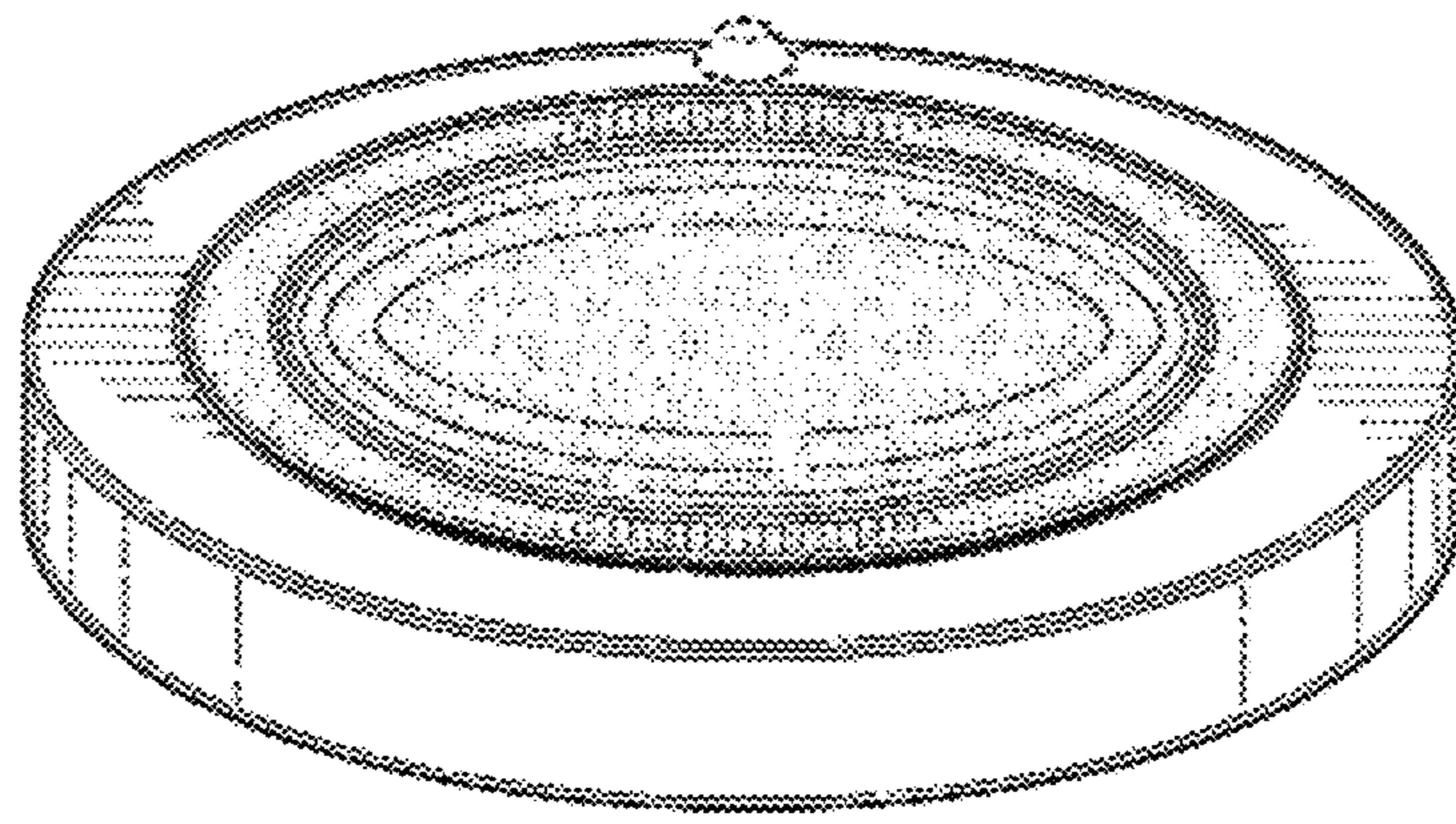


FIG. 1

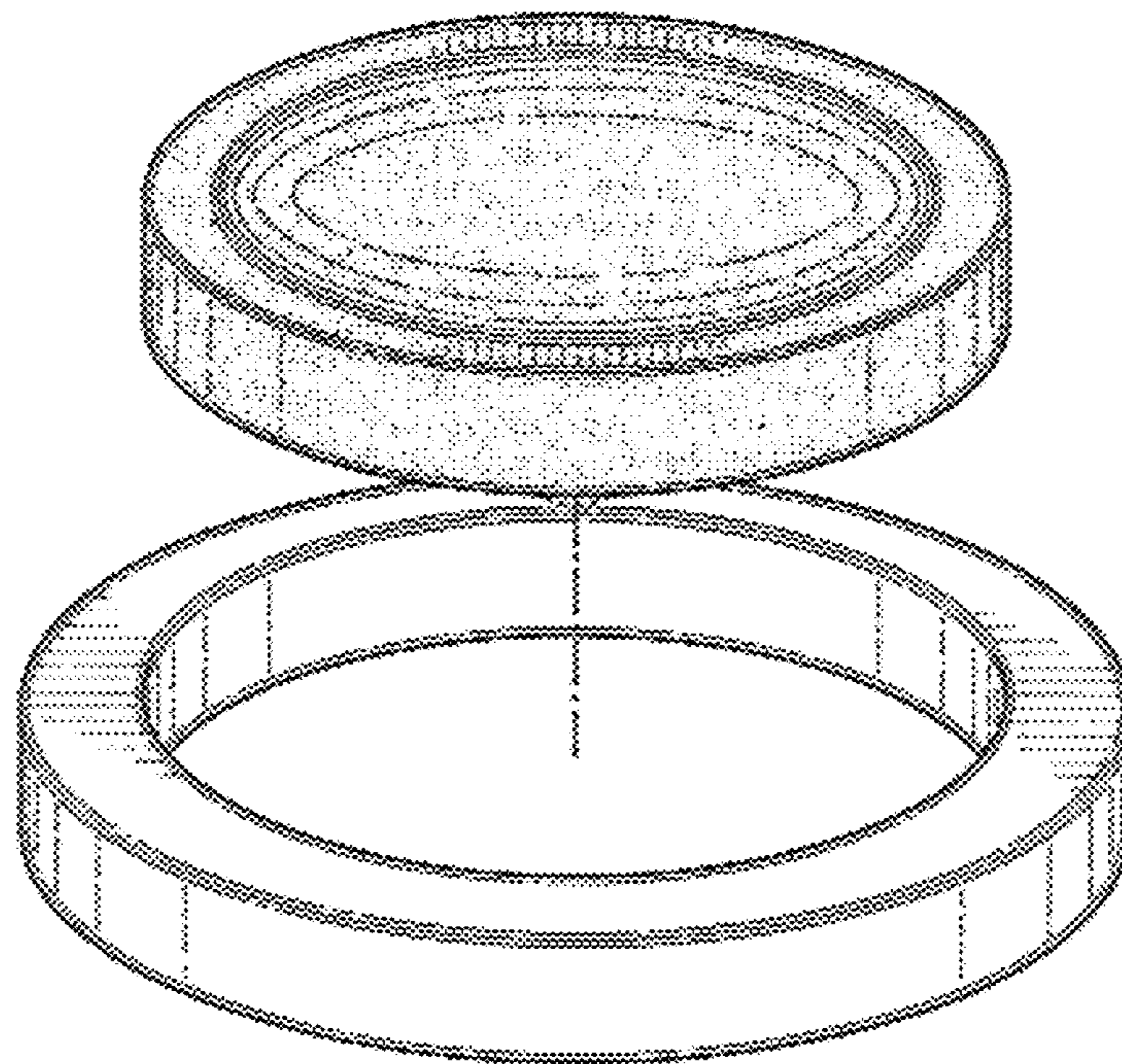


FIG. 2

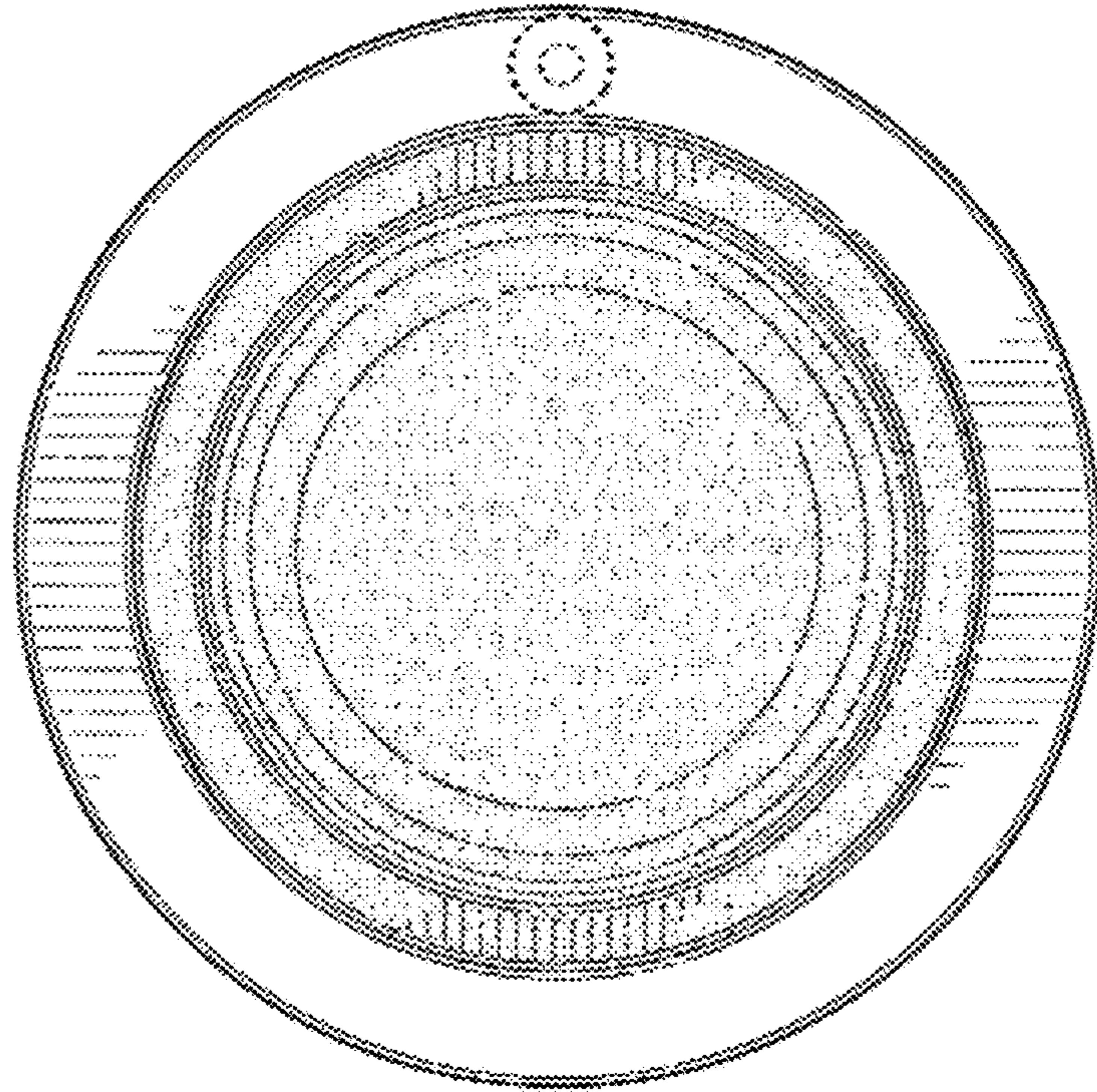


FIG. 3

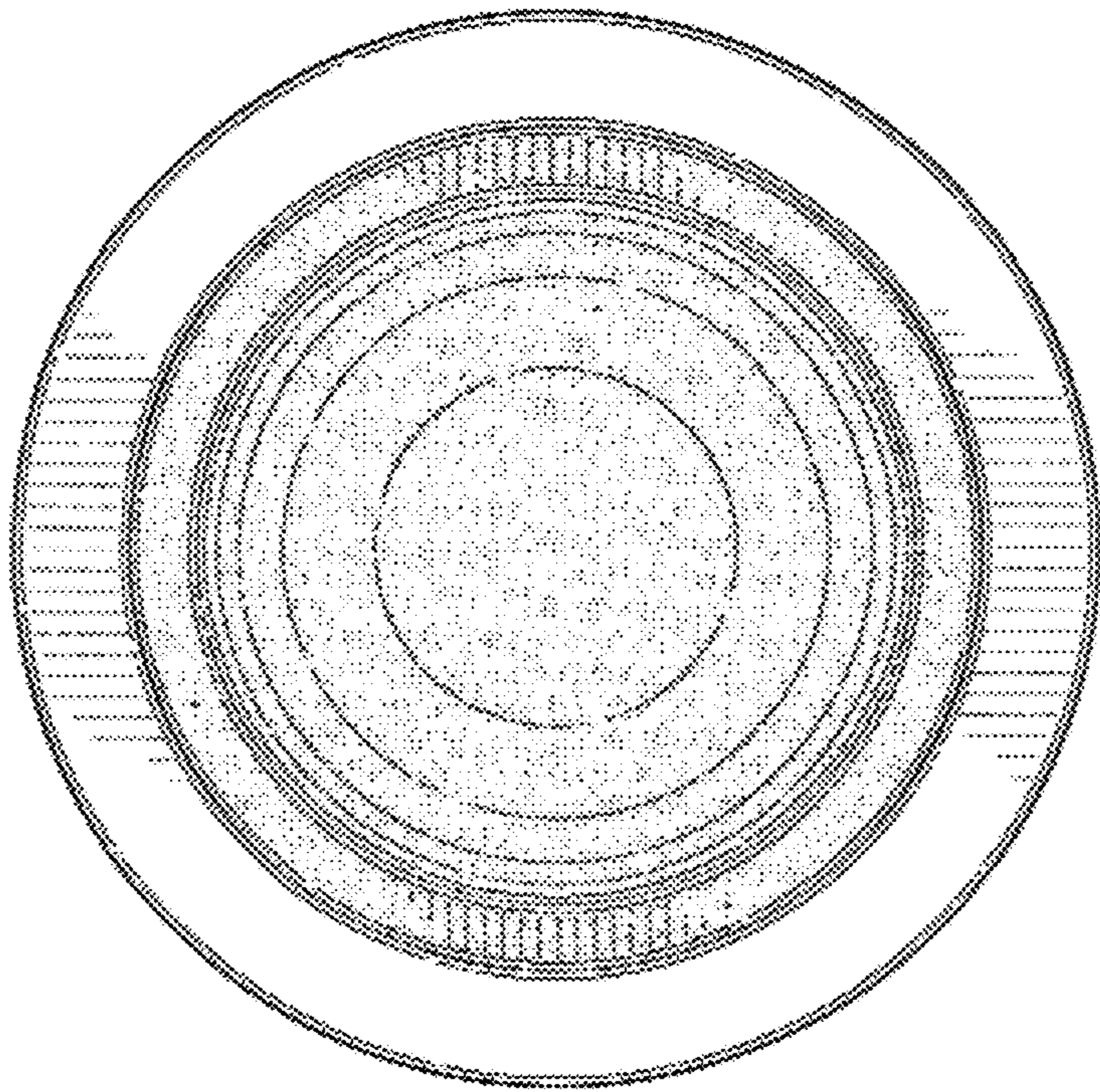


FIG. 4

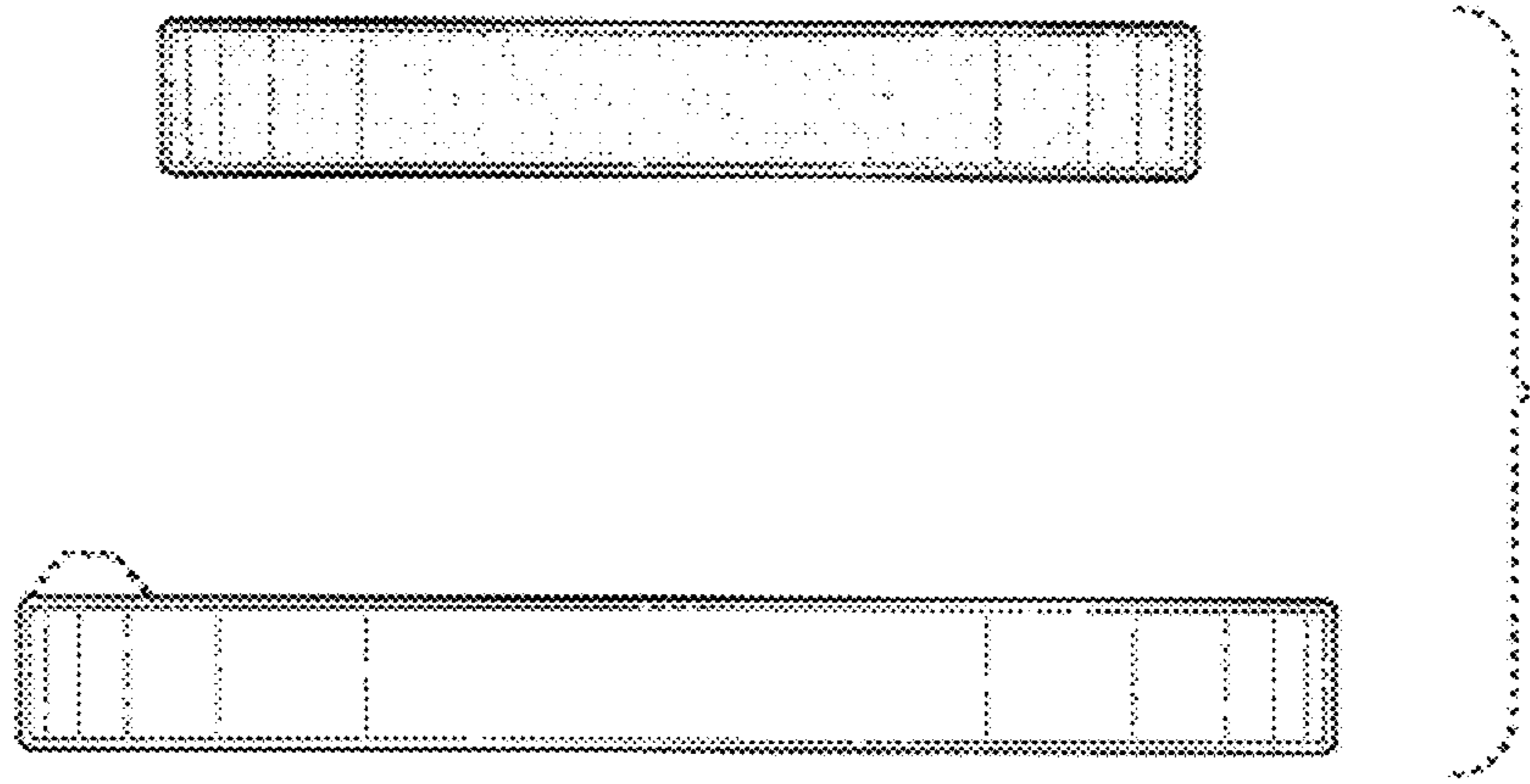


FIG. 5

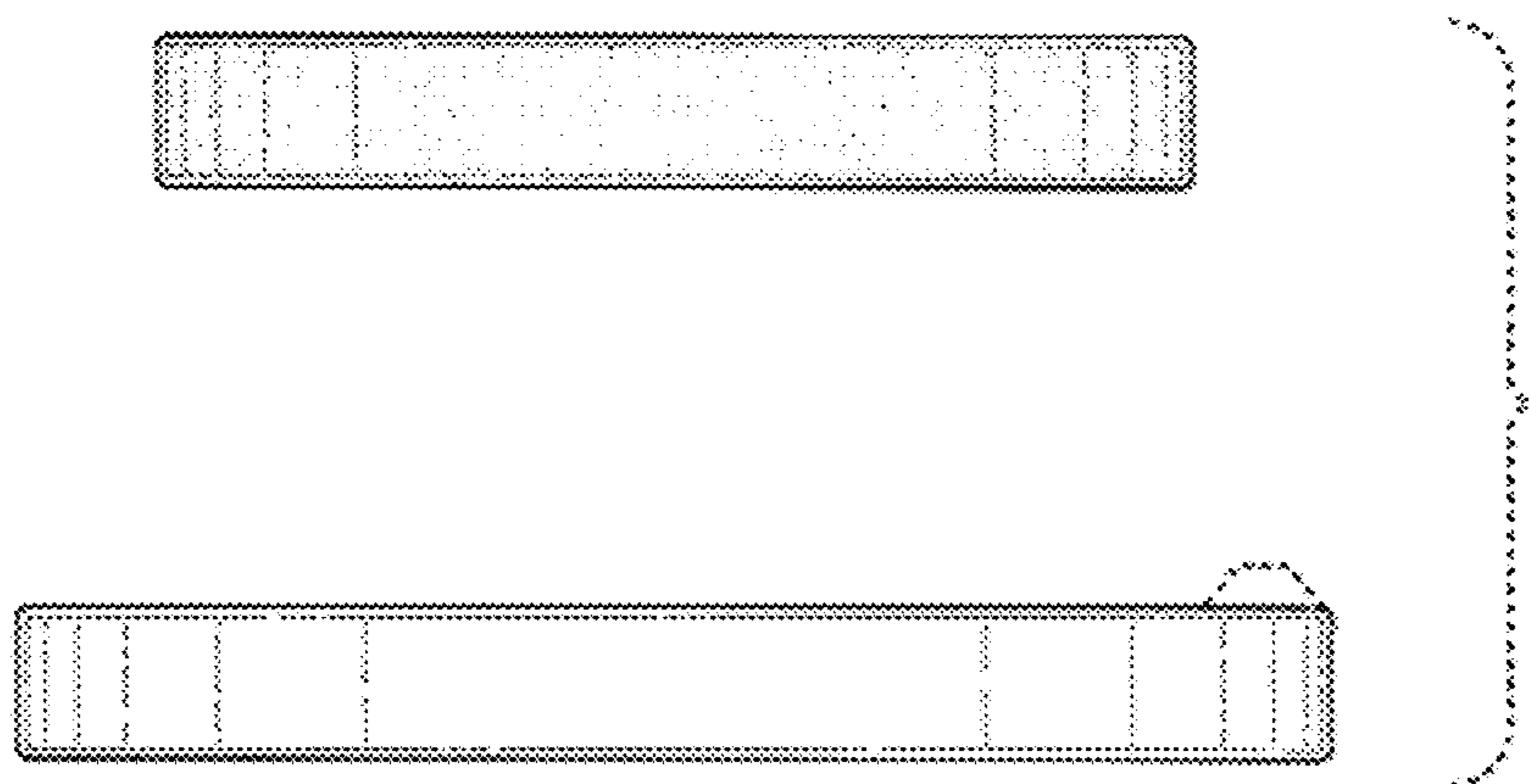


FIG. 6

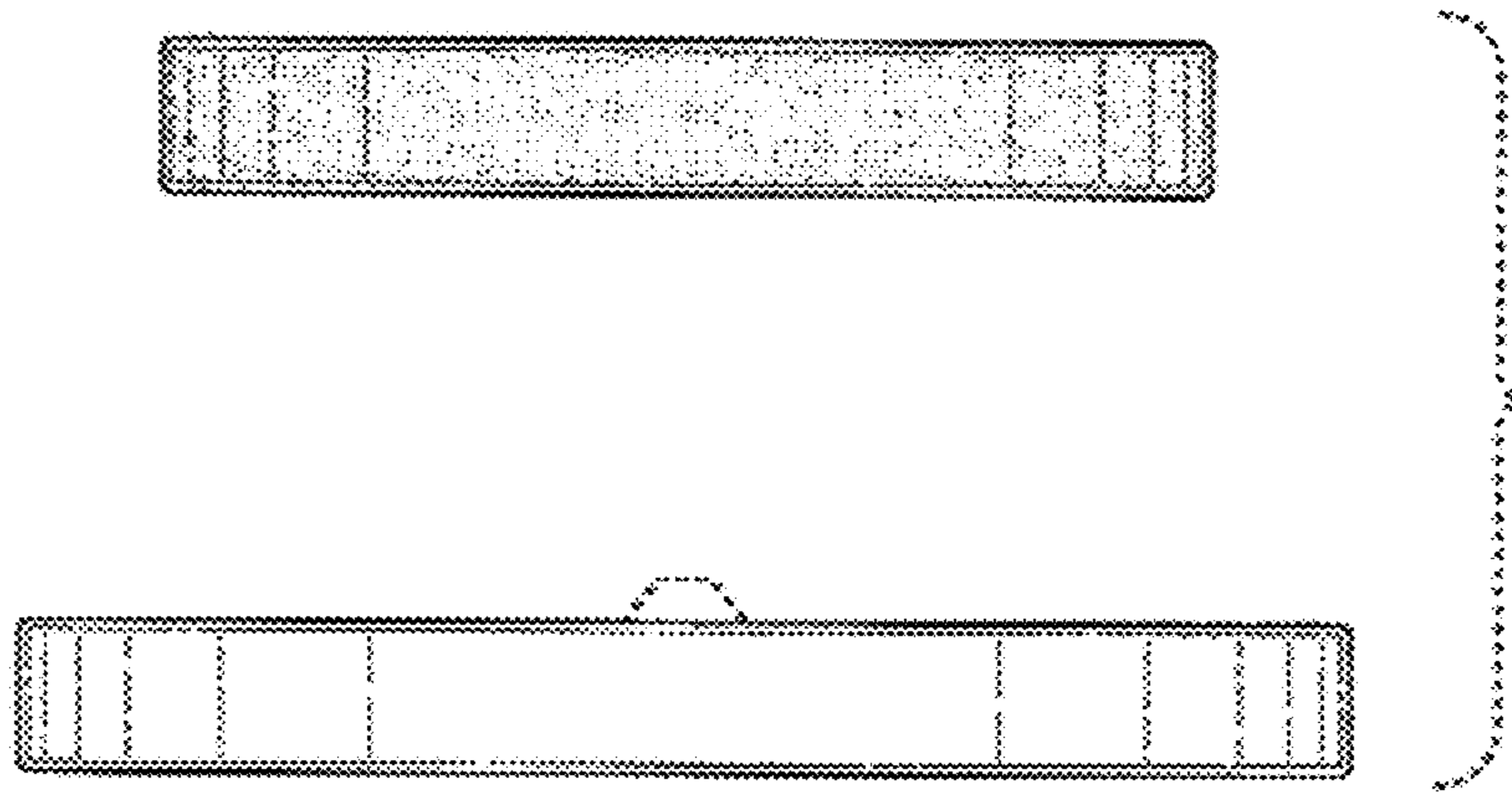


FIG. 7

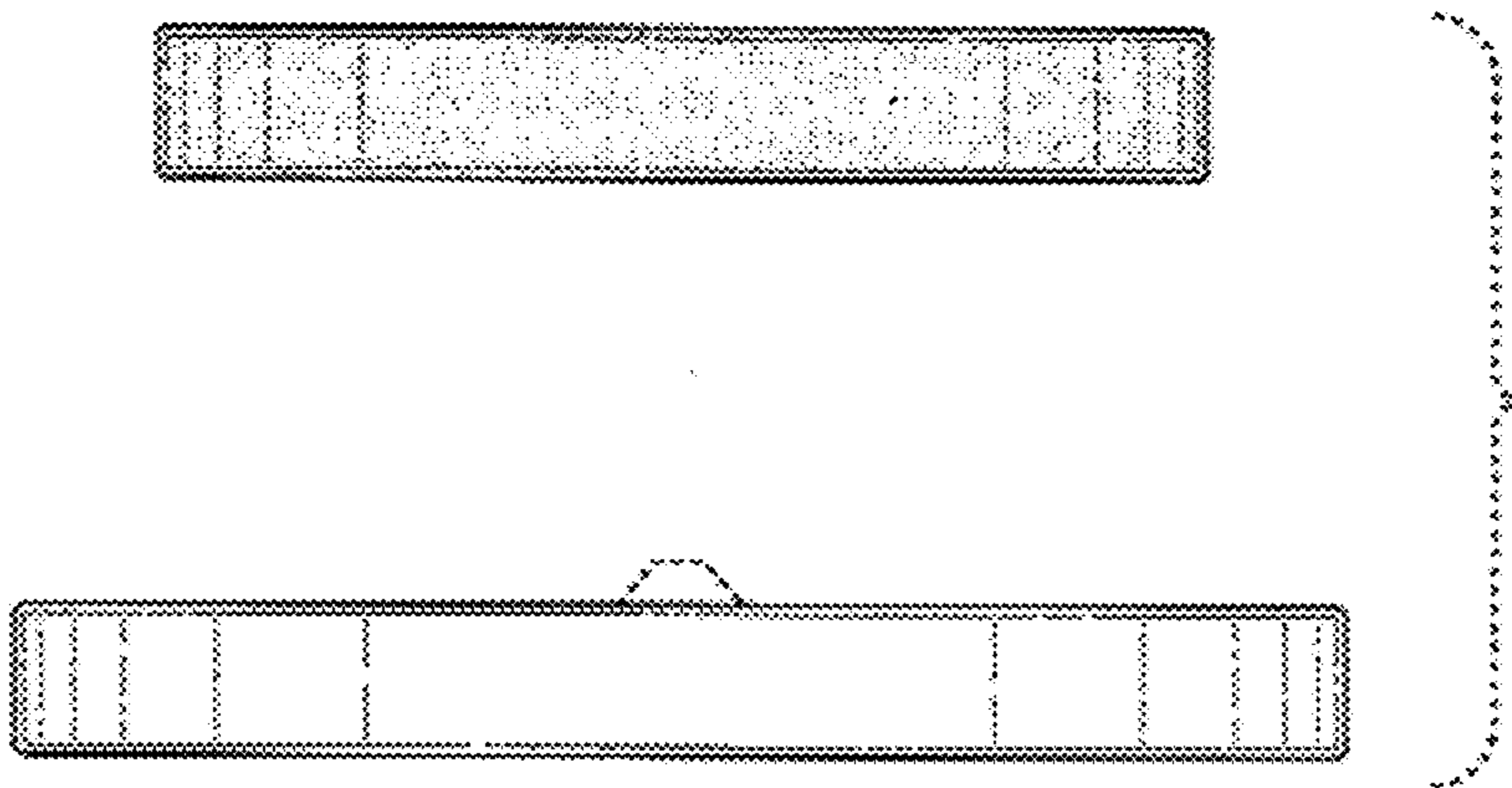


FIG. 8