



US00D839130S

(12) **United States Design Patent** (10) **Patent No.:** **US D839,130 S**
Park (45) **Date of Patent:** **** Jan. 29, 2019**

(54) **DESK PLANTER**

FOREIGN PATENT DOCUMENTS

(71) Applicant: **Umbra LLC**, Buffalo, NY (US)

CN 304760946 * 7/2018
EM 114406601-0004 * 11/2017

(72) Inventor: **Sung Wook Park**, Toronto (CA)

OTHER PUBLICATIONS

(73) Assignee: **Umbra, LLC**, Buffalo, NY (US)

YouTube-Umbra, NESTA Desk Planter Umbra, Published Aug. 2, 2017, [site visited Aug. 11, 2018], Available on the Internet URL <https://www.youtube.com/watch?v=IEyxP98s7sQ>.*

(**) Term: **15 Years**

(Continued)

(21) Appl. No.: **29/618,986**

Primary Examiner — Karen S Acker

(22) Filed: **Sep. 26, 2017**

Assistant Examiner — Steven B Reinholdt, Jr.

(51) **LOC (11) Cl.** **11-02**

(74) *Attorney, Agent, or Firm* — Simpson & Simpson, PLLC

(52) **U.S. Cl.**

USPC **D11/154**

(58) **Field of Classification Search**

USPC D11/148, 149, 152, 153, 154; D23/267;
D7/608, 609, 704

CPC A47G 7/044

See application file for complete search history.

(57) **CLAIM**

The ornamental design for a desk planter, as shown and described.

DESCRIPTION

(56) **References Cited**

U.S. PATENT DOCUMENTS

D242,941	S	*	1/1977	Nagata	47/66.6
4,024,670	A	*	5/1977	Stanley	A01G 9/029 47/73
D256,110	S	*	7/1980	Dunbar	D11/153
D271,091	S	*	10/1983	Peterson	D11/153
D275,432	S	*	9/1984	Chan	D11/148
D285,992	S	*	10/1986	De Vries	D6/677.2
4,691,473	A	*	9/1987	Ragen	A47G 7/047 248/315
D369,122	S	*	4/1996	Lowe, Jr.	D11/148
D425,326	S	*	5/2000	Rehmert	D6/403
D434,696	S	*	12/2000	Ward	D11/151
D515,184	S	*	2/2006	Beall	D11/148
D562,879	S	*	2/2008	Lerner	D17/22
D575,327	S	*	8/2008	Lerner	D17/22
D727,788	S	*	4/2015	Hetland	D11/144
D770,860	S	*	11/2016	Wampold	D7/608

FIG. 1 is a top, front, and right perspective view of a desk planter showing my new design;

FIG. 2 is a front elevational view of the desk planter shown in FIG. 1;

FIG. 3 is a left side elevational view of the desk planter shown in FIG. 1;

FIG. 4 is a back elevational view of the desk planter shown in FIG. 1;

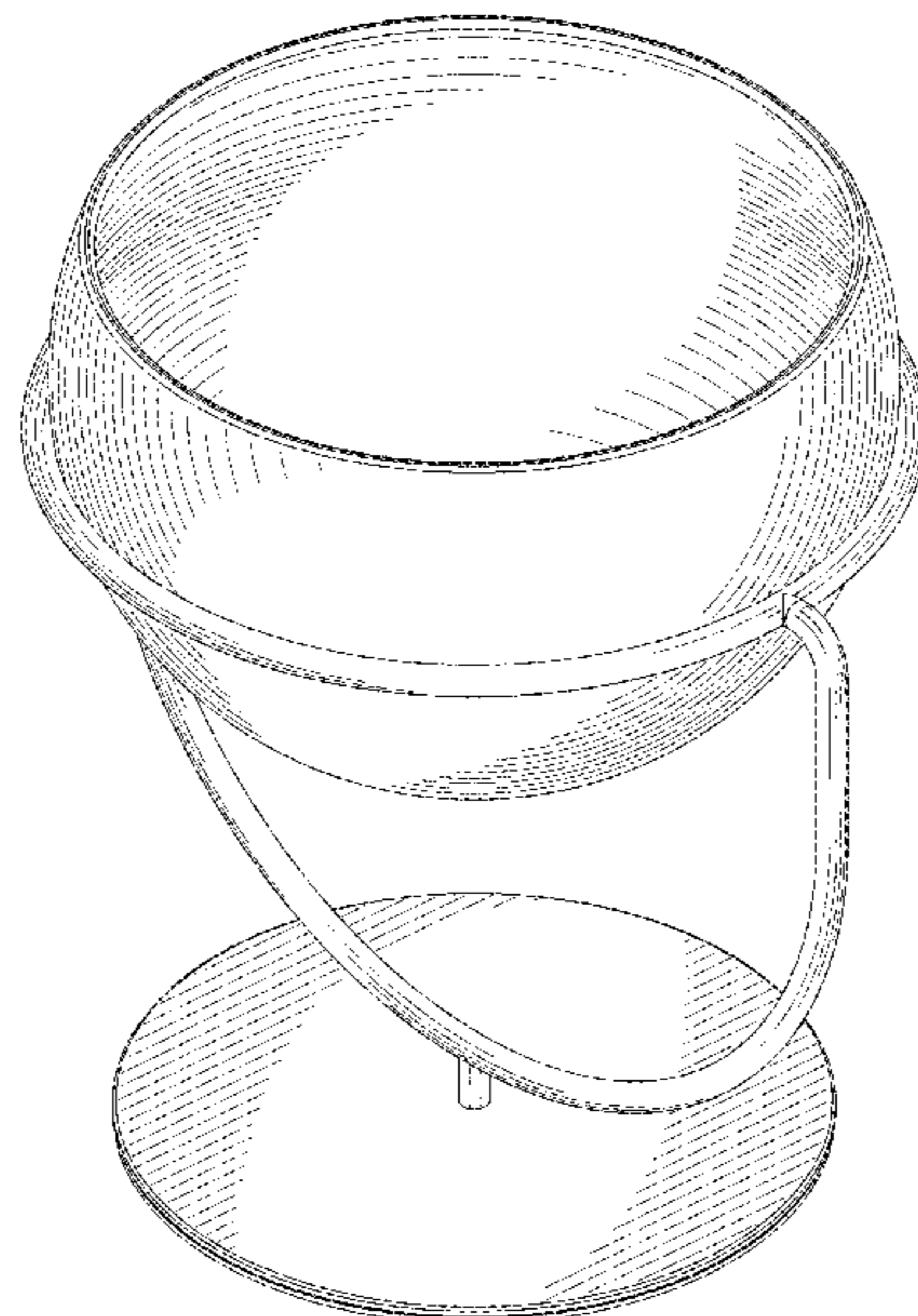
FIG. 5 is a right side elevational view of the desk planter shown in FIG. 1;

FIG. 6 is a top plan view of the desk planter shown in FIG. 1; and,

FIG. 7 is a bottom plan view of the desk planter shown in FIG. 1.

Shading and contour lines are included to convey the curvature of the planter and transitions to the flat planes of the bottom of the article.

1 Claim, 7 Drawing Sheets



(56)

References Cited

OTHER PUBLICATIONS

Umbra website, Nesta Planter, Earliest Publication date from Wayback Machine Archive Sep. 9, 2017, [site visited Aug. 11, 2018], Available on the Internet URL <https://web.archive.org/web/20170909163912/http://www.umbra.com:80/usd/nesta-wht-spec>.*

* cited by examiner

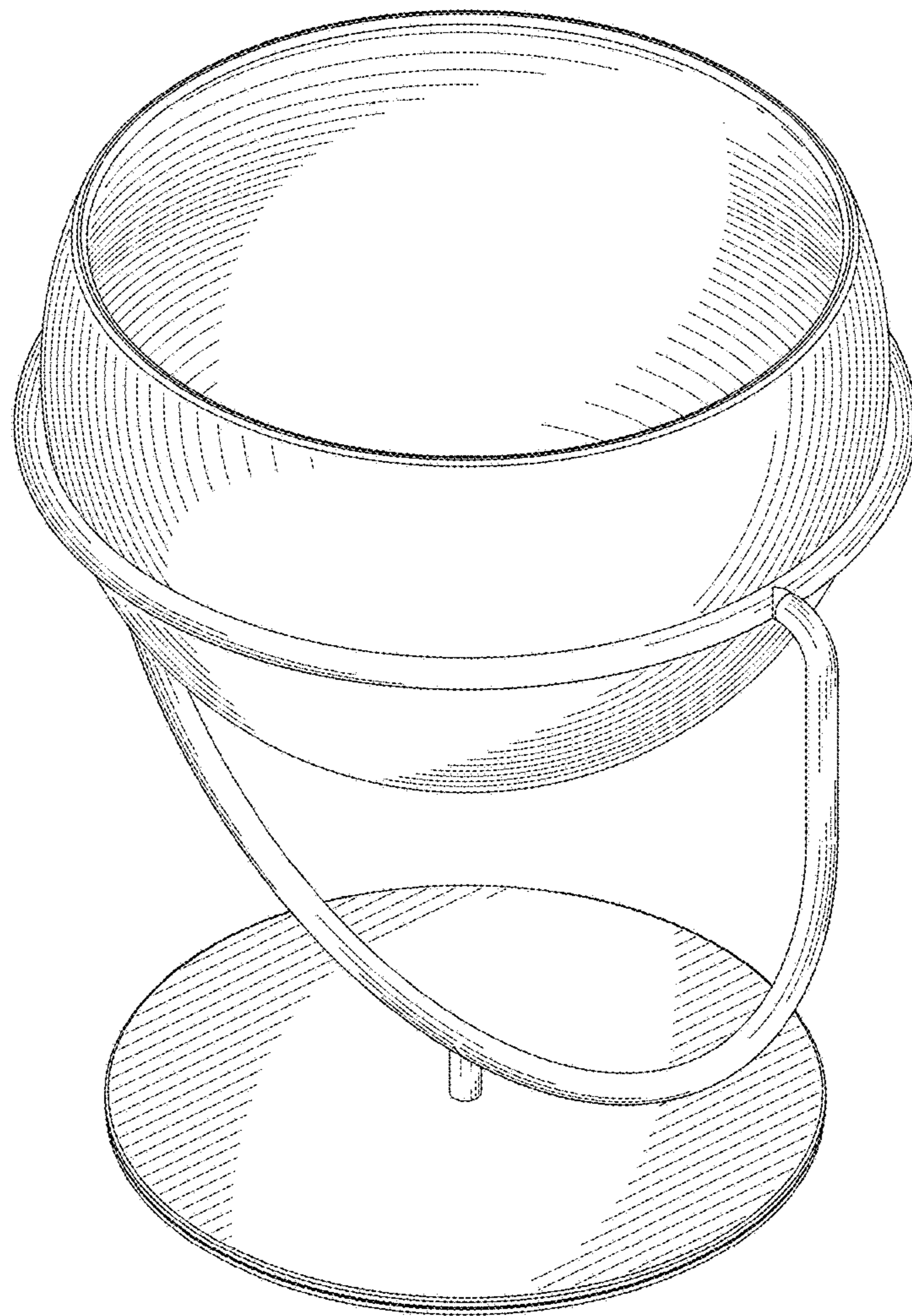


FIG. 1

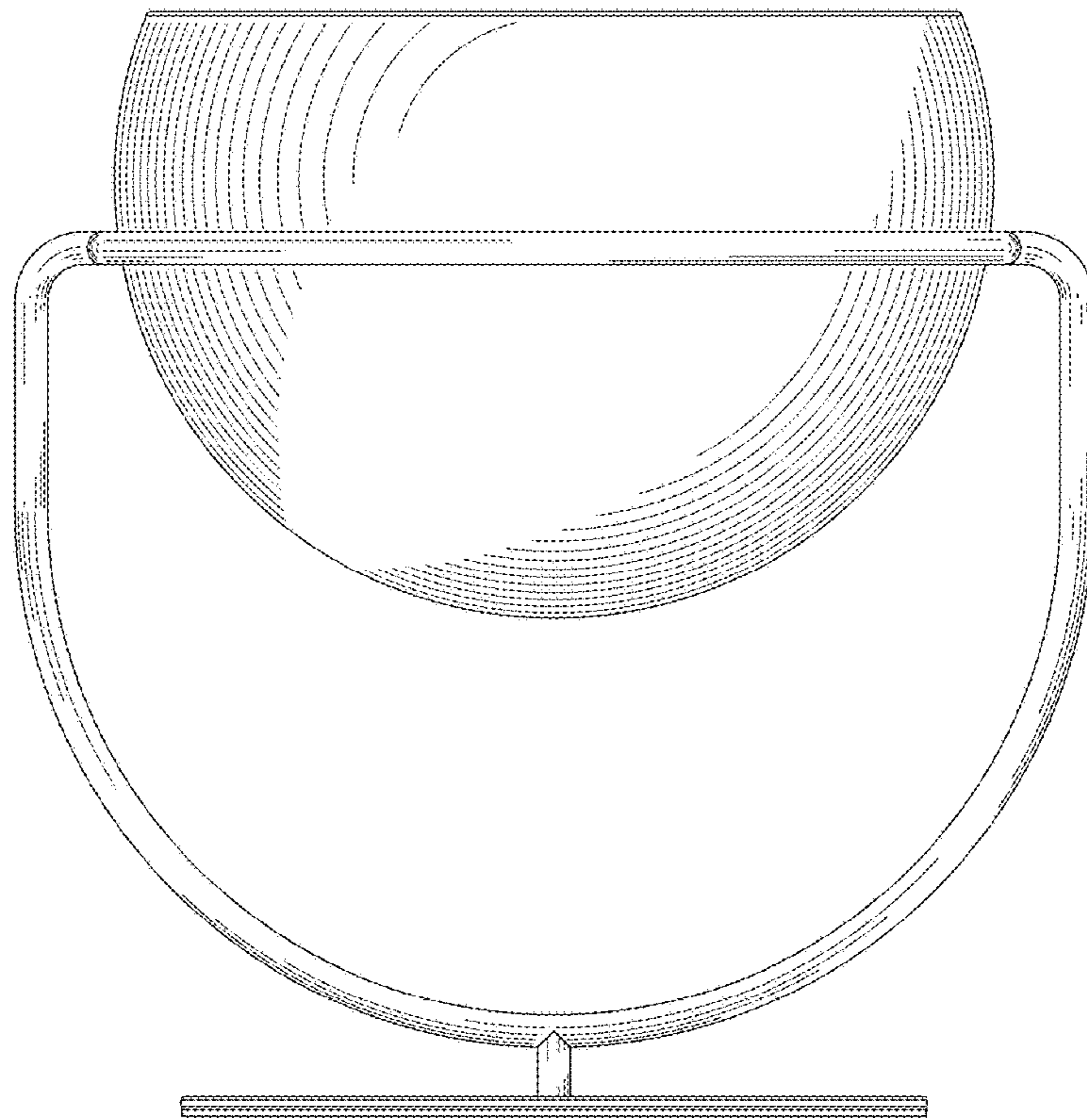


FIG. 2

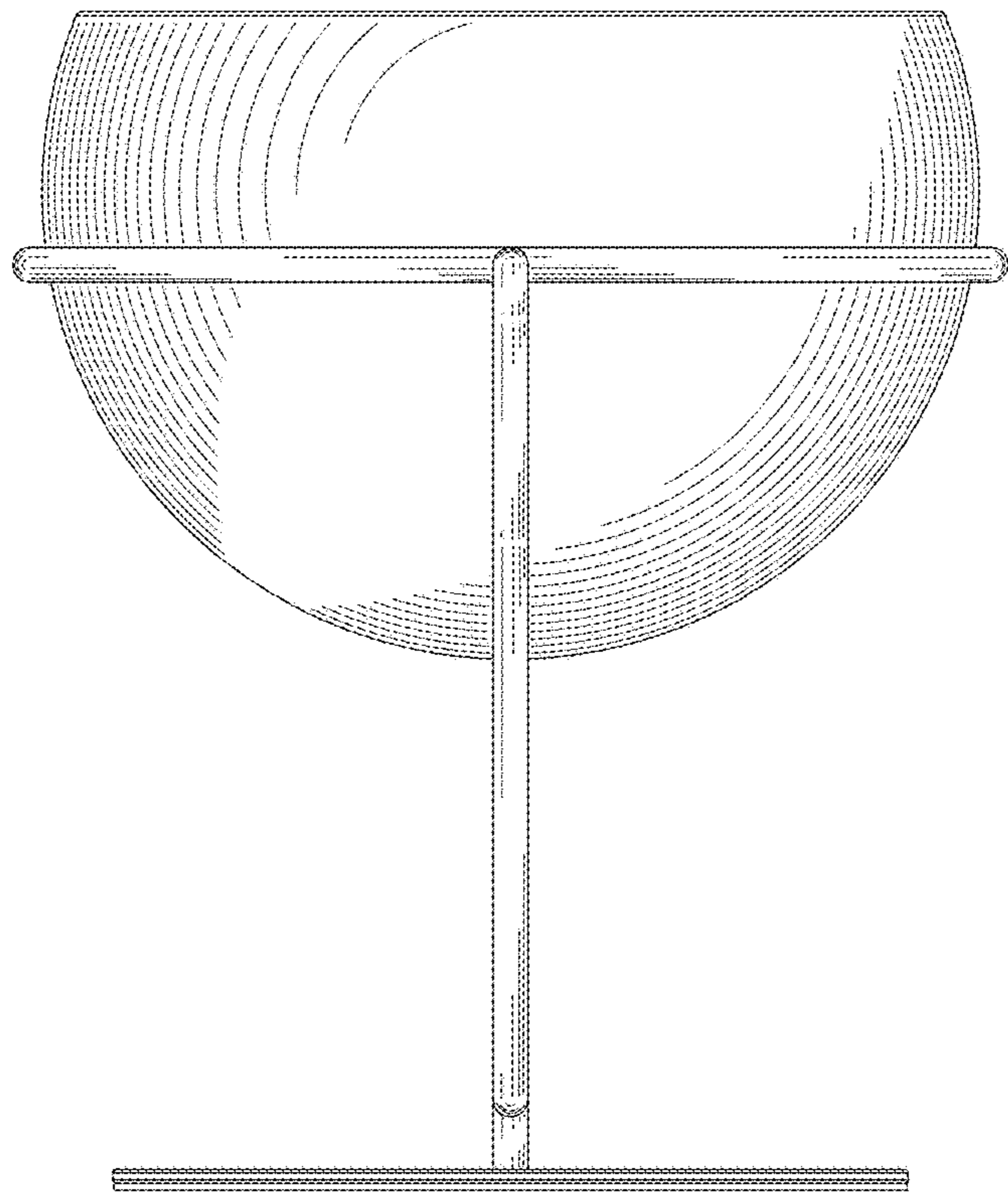


FIG. 3

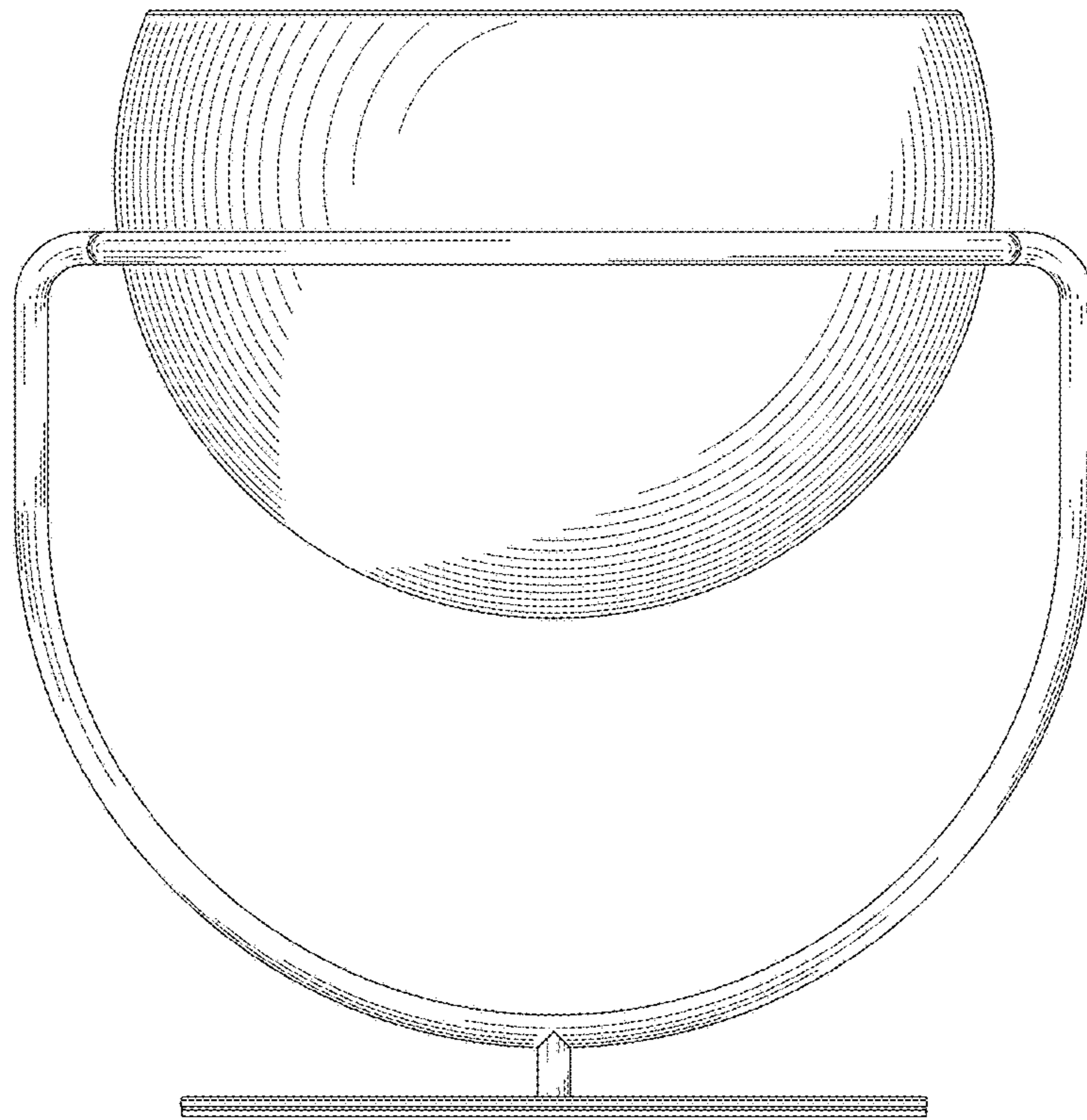


FIG. 4

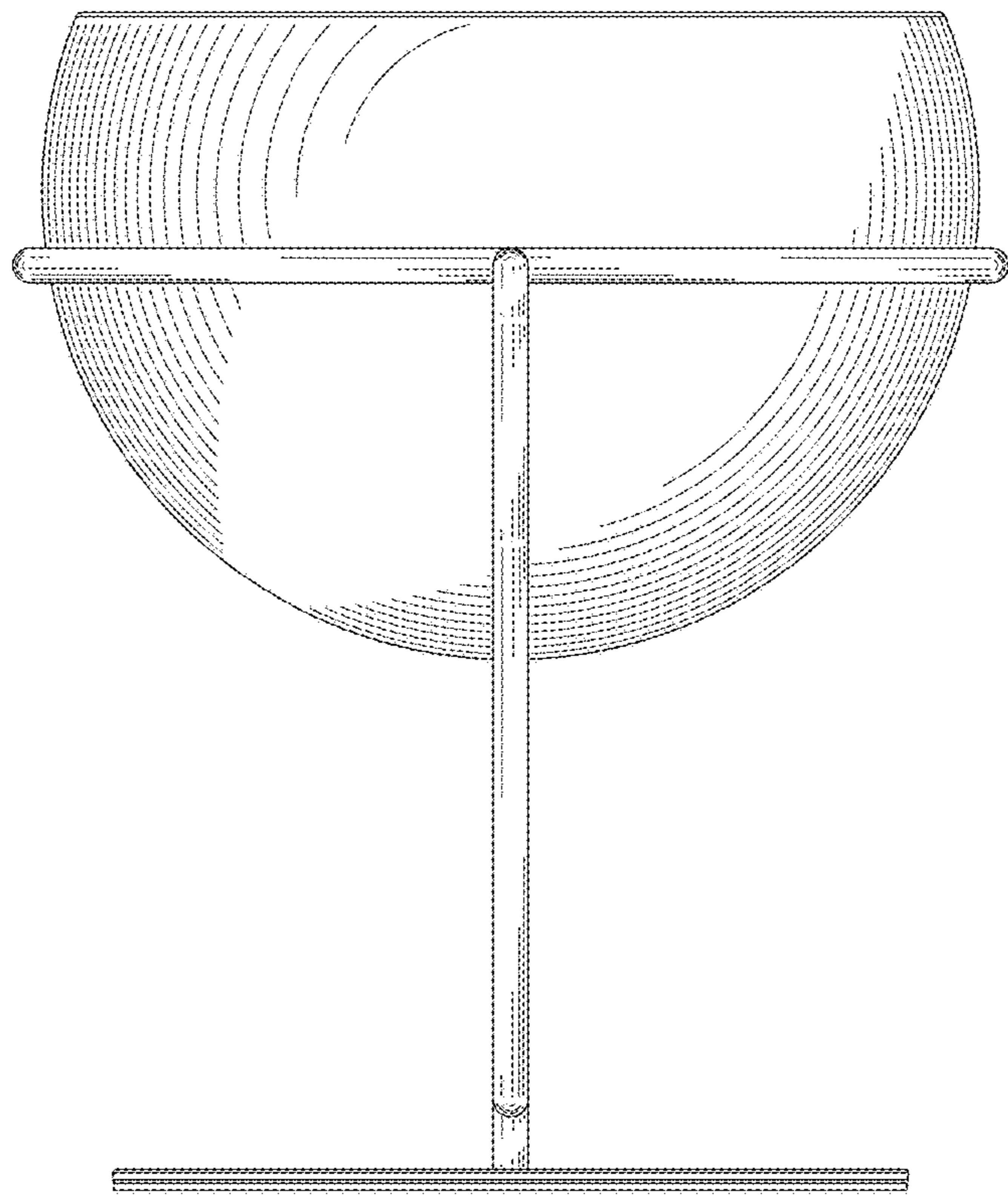


FIG. 5

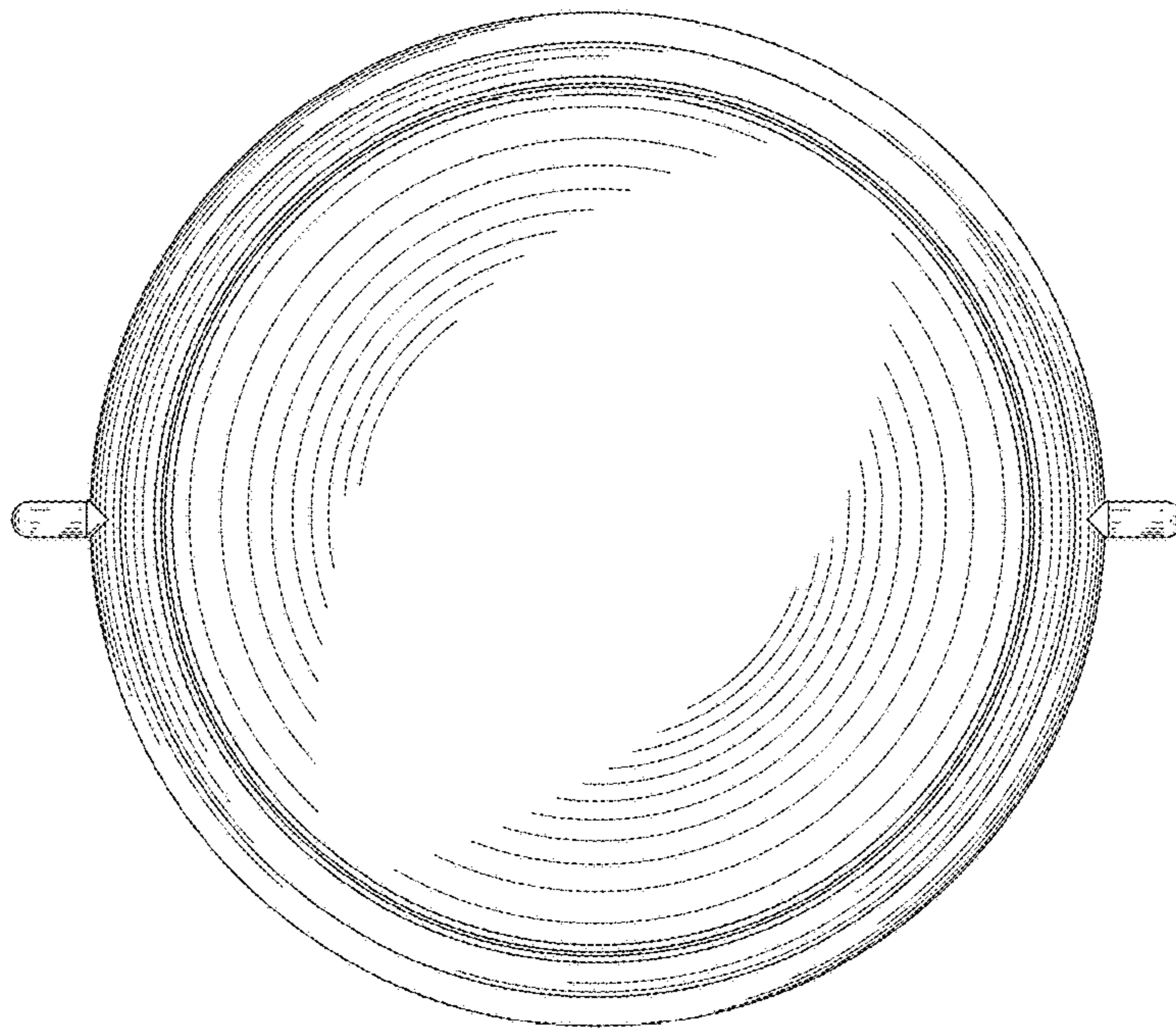


FIG. 6

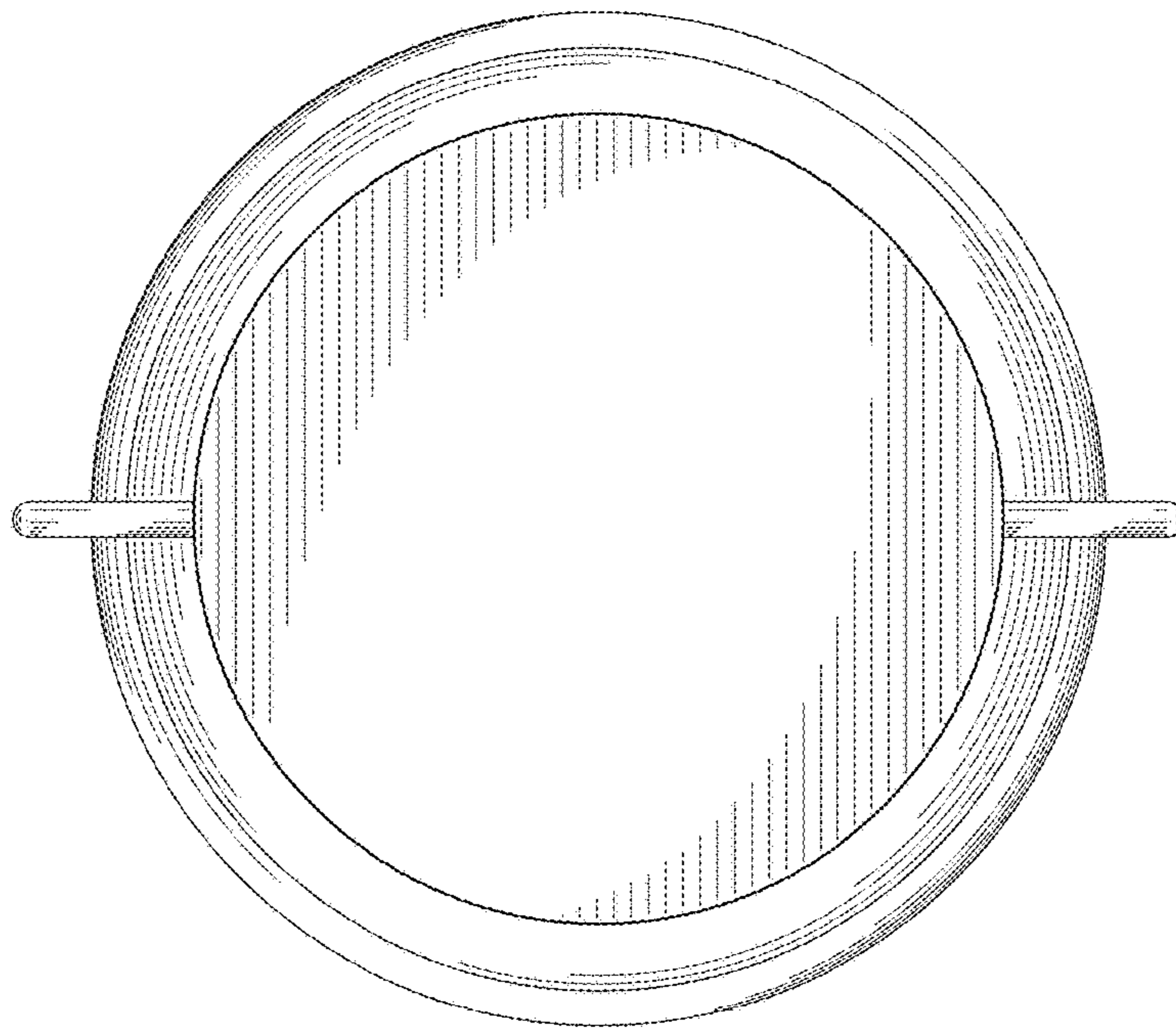


FIG. 7