



US00D839122S

(12) **United States Design Patent** (10) **Patent No.:** **US D839,122 S**  
**Ghirardi et al.** (45) **Date of Patent:** **\*\* Jan. 29, 2019**

(54) **JEWELRY ARTICLE**

**DESCRIPTION**

(71) Applicant: **Michael Kors Holdings Limited**, New York, NY (US)  
(72) Inventors: **Antonin Ghirardi**, New York, NY (US); **Kevin Wei**, Beacon, NY (US)  
(73) Assignee: **Michael Kors, L.L.C.**, New York, NY (US)  
(\*\*) Term: **15 Years**  
(21) Appl. No.: **29/643,353**  
(22) Filed: **Apr. 6, 2018**  
(51) **LOC (11) Cl.** ..... **11-01**  
(52) **U.S. Cl.**  
USPC ..... **D11/6; D11/26**  
(58) **Field of Classification Search**  
USPC .... D2/634, 705, 708; D11/1-26, 40, 41, 43, D11/44, 46, 48, 63, 65, 69, 77-81, 86,  
(Continued)

FIG. 1 is a front perspective view of a first embodiment of a jewelry article showing our new design;  
FIG. 2 is a front elevation view thereof;  
FIG. 3 is rear elevation view thereof;  
FIG. 4 is right-side elevation view thereof;  
FIG. 5 is a left-side elevation view thereof;  
FIG. 6 is a top view thereof;  
FIG. 7 is a bottom view thereof;  
FIG. 8 is a perspective view thereof;  
FIG. 9 is a front perspective view of a second embodiment of a jewelry article;  
FIG. 10 is a front elevation view thereof;  
FIG. 11 is a rear elevation view thereof;  
FIG. 12 is a right-side elevation view thereof;  
FIG. 13 is a left-side elevation view thereof;  
FIG. 14 is a top view thereof;  
FIG. 15 is a bottom view thereof;  
FIG. 16 is a perspective view thereof;  
FIG. 17 is a front perspective view of a third embodiment of a jewelry article;  
FIG. 18 is a front elevation view thereof;  
FIG. 19 is a rear elevation view thereof;  
FIG. 20 is a right-side elevation view thereof;  
FIG. 21 is a left-side elevation view thereof;  
FIG. 22 is a top view thereof;  
FIG. 23 is a bottom view thereof;  
FIG. 24 is a perspective view thereof;  
FIG. 25 is a front perspective view of a fourth embodiment of a jewelry article;  
FIG. 26 is a front elevation view thereof;  
FIG. 27 is a rear elevation view thereof;  
FIG. 28 is a right-side elevation view thereof;  
FIG. 29 is a elevation view thereof;  
FIG. 30 is a top view thereof;  
FIG. 31 is a bottom view thereof;  
FIG. 32 is a perspective view thereof;  
FIG. 33 is a front perspective view of a fifth embodiment of a jewelry article;  
FIG. 34 is a front elevation view thereof;  
FIG. 35 is a rear elevation view thereof;  
FIG. 36 is a right-side elevation view thereof;  
FIG. 37 is a left-side elevation view thereof;

(56) **References Cited**

**U.S. PATENT DOCUMENTS**

D11,858 S \* 7/1880 Bliss ..... D11/87  
D102,765 S \* 1/1937 Ritter ..... D11/12  
(Continued)

**OTHER PUBLICATIONS**

Michael Kors Jewellery (available online) Retrieved from the internet Sep. 4, 2018 from URL: <https://www.beaverbrooks.co.uk/jewellery/michael-kors>.\*

(Continued)

*Primary Examiner* — Kevin K Rudzinski  
*Assistant Examiner* — Richard Kearney  
(74) *Attorney, Agent, or Firm* — Dentons US LLP

(57) **CLAIM**

An ornamental design for a jewelry article, as shown and described.

(Continued)

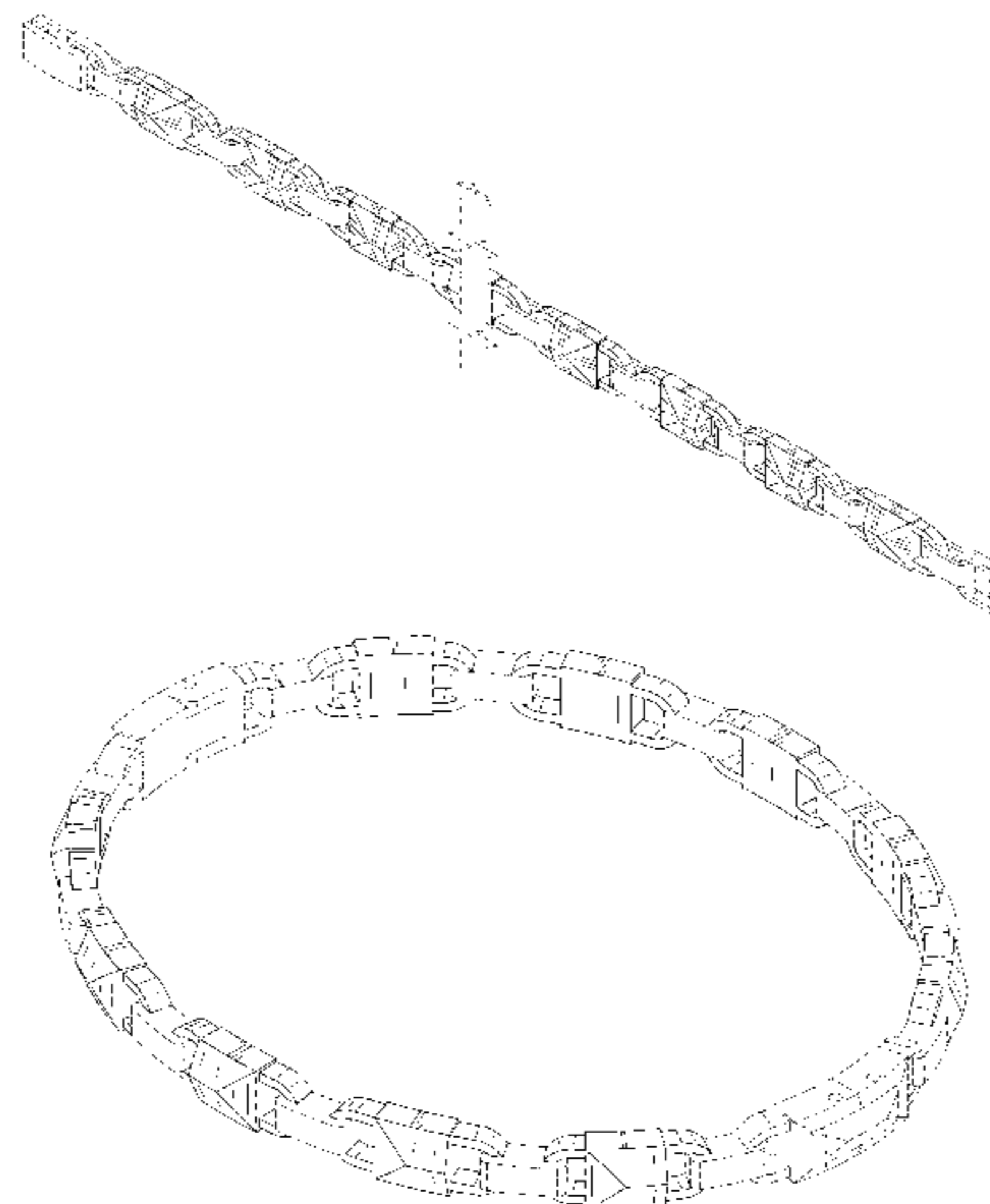


FIG. 38 is a top view thereof;  
 FIG. 39 is a bottom view thereof;  
 FIG. 40 is a perspective view thereof;  
 FIG. 41 is a front perspective view of a sixth embodiment of a jewelry article;  
 FIG. 42 is a front elevation view thereof;  
 FIG. 43 is a rear elevation view thereof;  
 FIG. 44 is a right-side elevation view thereof;  
 FIG. 45 is a left-side elevation view of thereof;  
 FIG. 46 is a top view thereof;  
 FIG. 47 is a bottom view thereof;  
 FIG. 48 is an alternative perspective view thereof; and,  
 FIG. 49 is another perspective view thereof.  
 The broken lines shown in the drawings illustrate portions of the jewelry article that form no part of the claimed design. The broken lines showing a wrist and hand illustrate environmental subject matter and form no part of the claimed design.

**1 Claim, 32 Drawing Sheets**

(58) **Field of Classification Search**

USPC .... D11/87, 93, 97, 200, 201, 203, 208, 209,  
 D11/211, 218, 212, 214, 219, 221, 222,  
 D11/227  
 CPC ... A41F 1/02; A44C 5/02; A44C 11/00; A44C  
 19/00; F16G 11/14; F16G 15/08  
 See application file for complete search history.

(56) **References Cited**

U.S. PATENT DOCUMENTS

D102,766	S	*	1/1937	Ritter	.....	D11/12
D156,650	S	*	12/1949	Pearce	.....	D11/12
D163,212	S	*	5/1951	Meyerson	.....	D11/23
D165,355	S	*	12/1951	Augenstein	.....	D11/21
D166,773	S	*	5/1952	Prestinari	.....	D11/21
D167,161	S	*	7/1952	Pison	.....	D11/21
D219,615	S	*	12/1970	Cowan	.....	D11/93
D234,548	S	*	3/1975	Stahel	.....	D11/216

D258,850	S	*	4/1981	Brentini	.....	D3/207
D285,387	S	*	9/1986	Kirk	.....	D11/208
D285,502	S	*	9/1986	Kirk	.....	D11/208
D307,213	S	*	4/1990	Scungio	.....	D3/207
D340,879	S		11/1993	French		
D342,038	S		12/1993	Burgener		
D445,714	S		7/2001	Haquet		
D451,046	S	*	11/2001	Itzkowitz	.....	D11/26
D464,287	S	*	10/2002	Potter	.....	D11/91
D474,127	S	*	5/2003	Potter	.....	D11/81
D493,118	S		7/2004	Neri		
D493,493	S	*	7/2004	Howard	.....	D20/27
6,848,287	B1	*	2/2005	Huang	.....	A44B 15/00 24/3.6
D553,537	S	*	10/2007	Brunet	.....	D11/12
D578,427	S	*	10/2008	So	.....	D11/26
D593,429	S	*	6/2009	Hardy	.....	D11/26
D596,065	S	*	7/2009	Hardy	.....	D11/26
D629,329	S	*	12/2010	Mudrick	.....	D11/87
D633,909	S	*	3/2011	Heath	.....	D11/81
D708,843	S	*	7/2014	Warner	.....	D3/207
D716,680	S		11/2014	Hitchcock		
D716,681	S		11/2014	Hitchcock		
D717,684	S		11/2014	Delaney		
D719,052	S	*	12/2014	Yatsugi-Kang	.....	D11/81
8,935,940	B1		1/2015	Lough		
D724,984	S		3/2015	Kellough et al.		
D729,111	S	*	5/2015	Yatsugi-Kang	.....	D11/81
D732,415	S		6/2015	Wright		
D733,605	S		7/2015	Soehn		
D734,684	S		7/2015	Barresi		
D778,760	S		2/2017	Fillon		

OTHER PUBLICATIONS

Ambush Gold Padlock Link Bracelet (available online) Retrieved from the internet Sep. 4, 2018 from URL: <https://www.farfetch.com/za/shopping/women/ambush-gold-padlock-link-bracelet-item-12693348.aspx>.\*

Tiffany & Co Silver Gold Heart Link Padlock Necklace (available online) Retrieved from the internet Sep. 4, 2018 from URL: [https://cdn.shopify.com/s/files/1/0258/4165/products/KGrHqNHJC8E7BcvhJiRBO26z1Ousg\\_60\\_1\\_1024x1024.jpeg?v=1376776425](https://cdn.shopify.com/s/files/1/0258/4165/products/KGrHqNHJC8E7BcvhJiRBO26z1Ousg_60_1_1024x1024.jpeg?v=1376776425).\*

\* cited by examiner

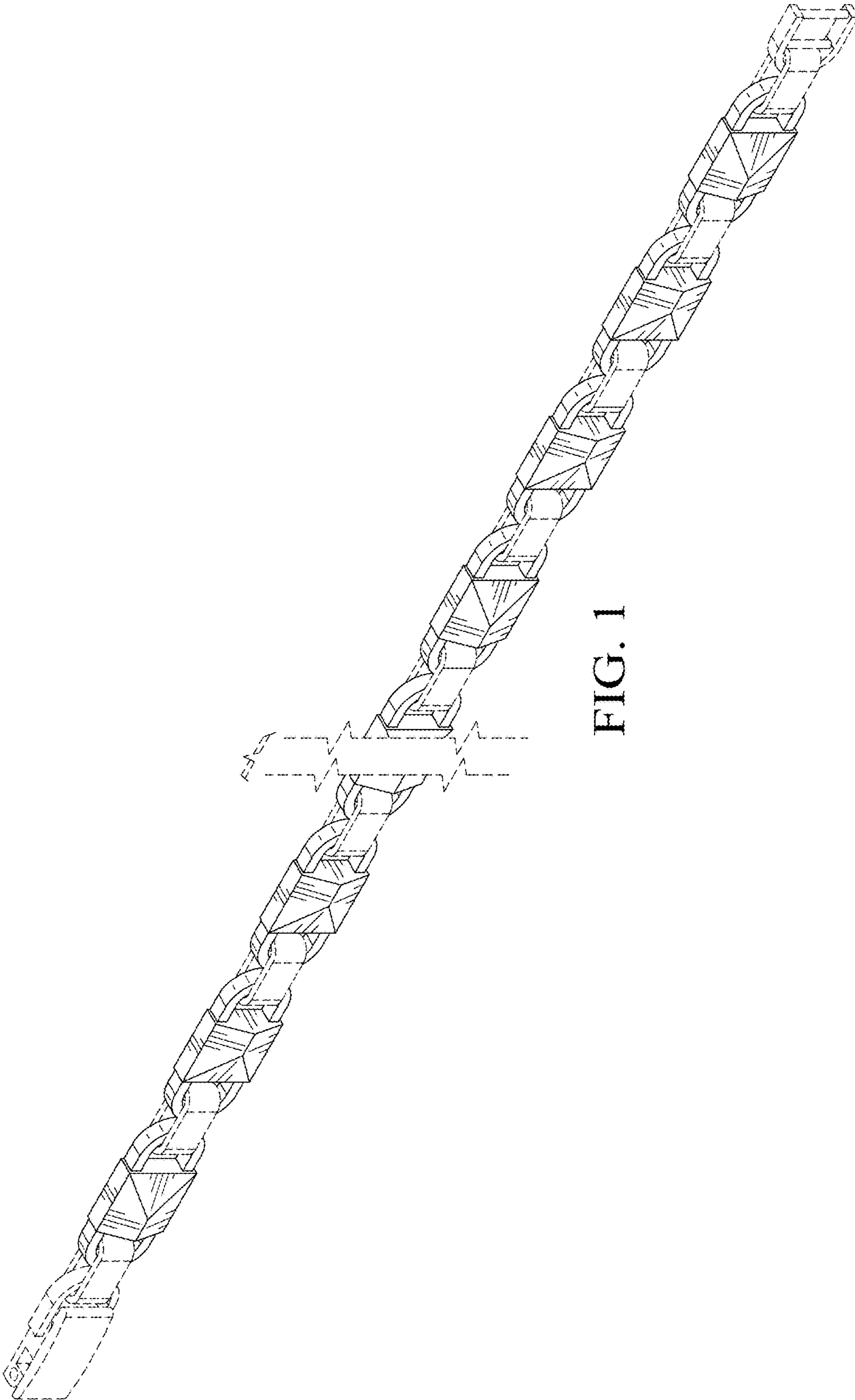


FIG. 1

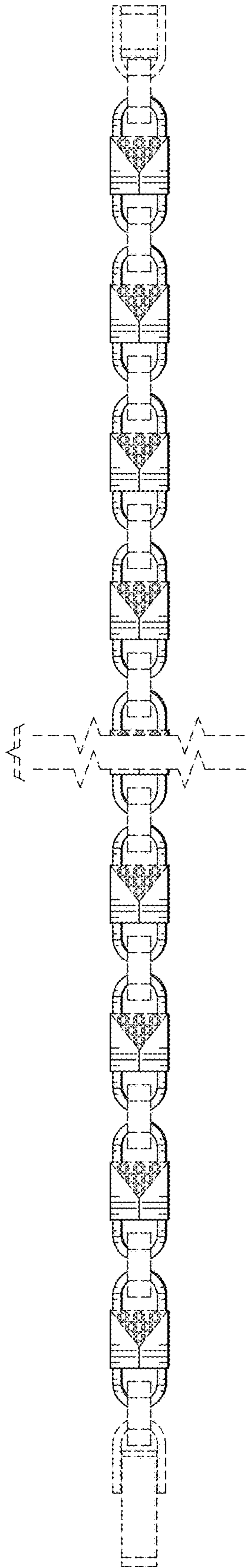


FIG. 2

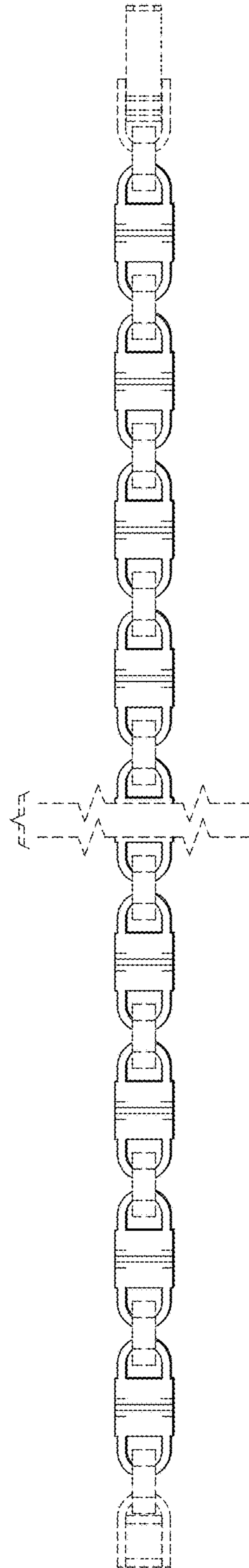


FIG. 3



FIG. 4

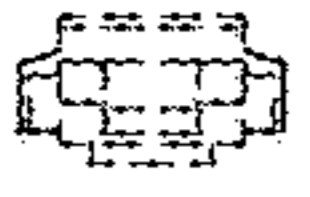


FIG. 5

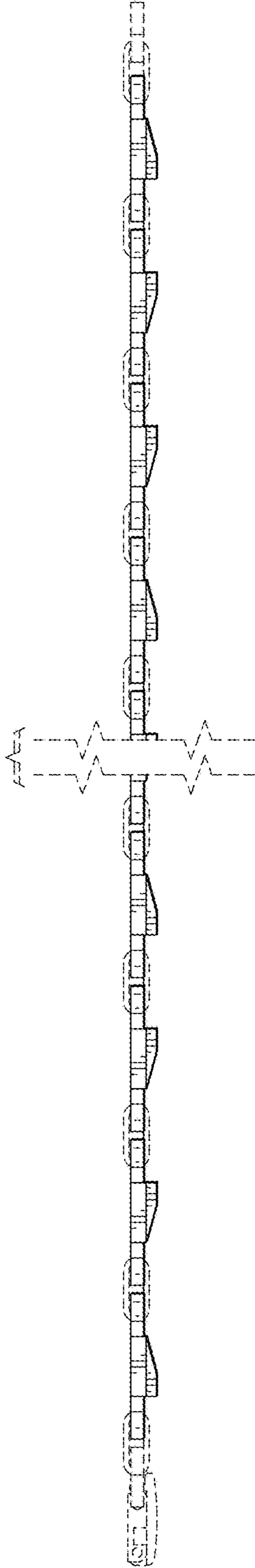


FIG. 6

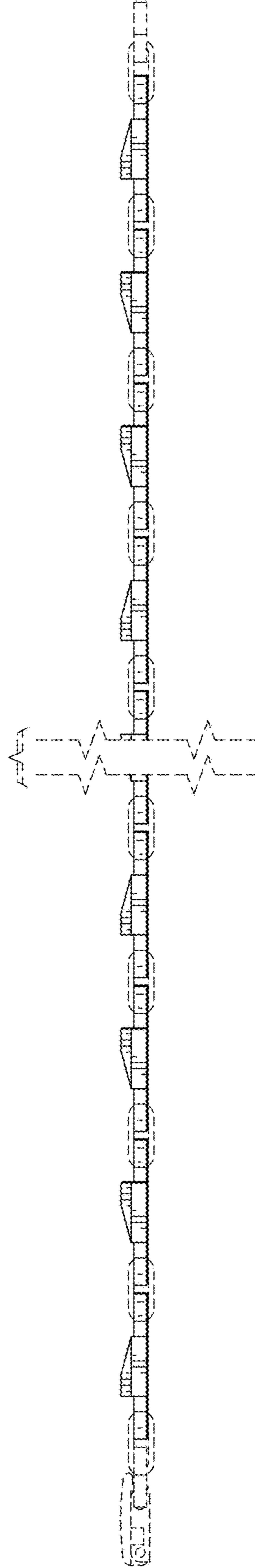


FIG. 7

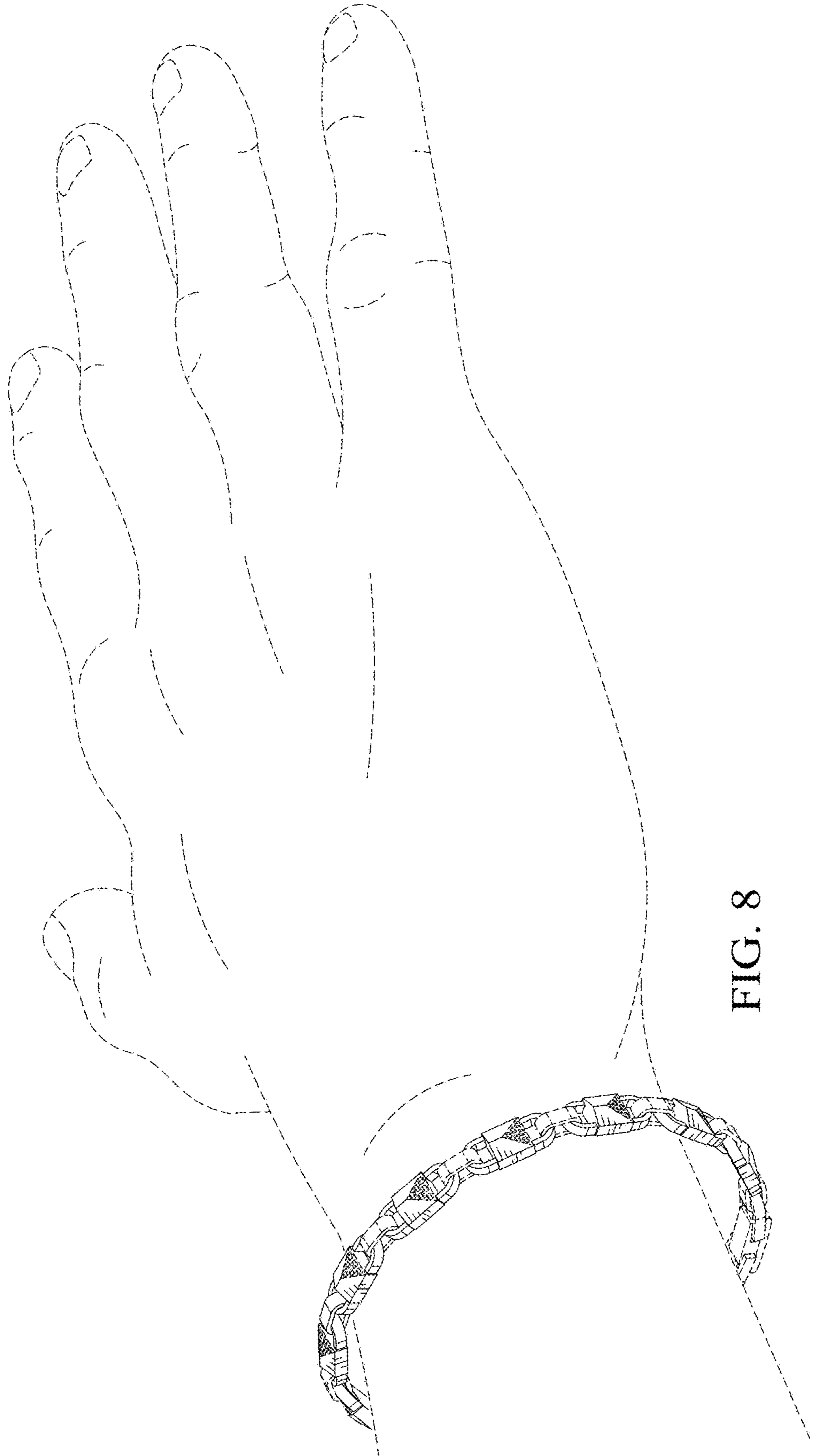


FIG. 8

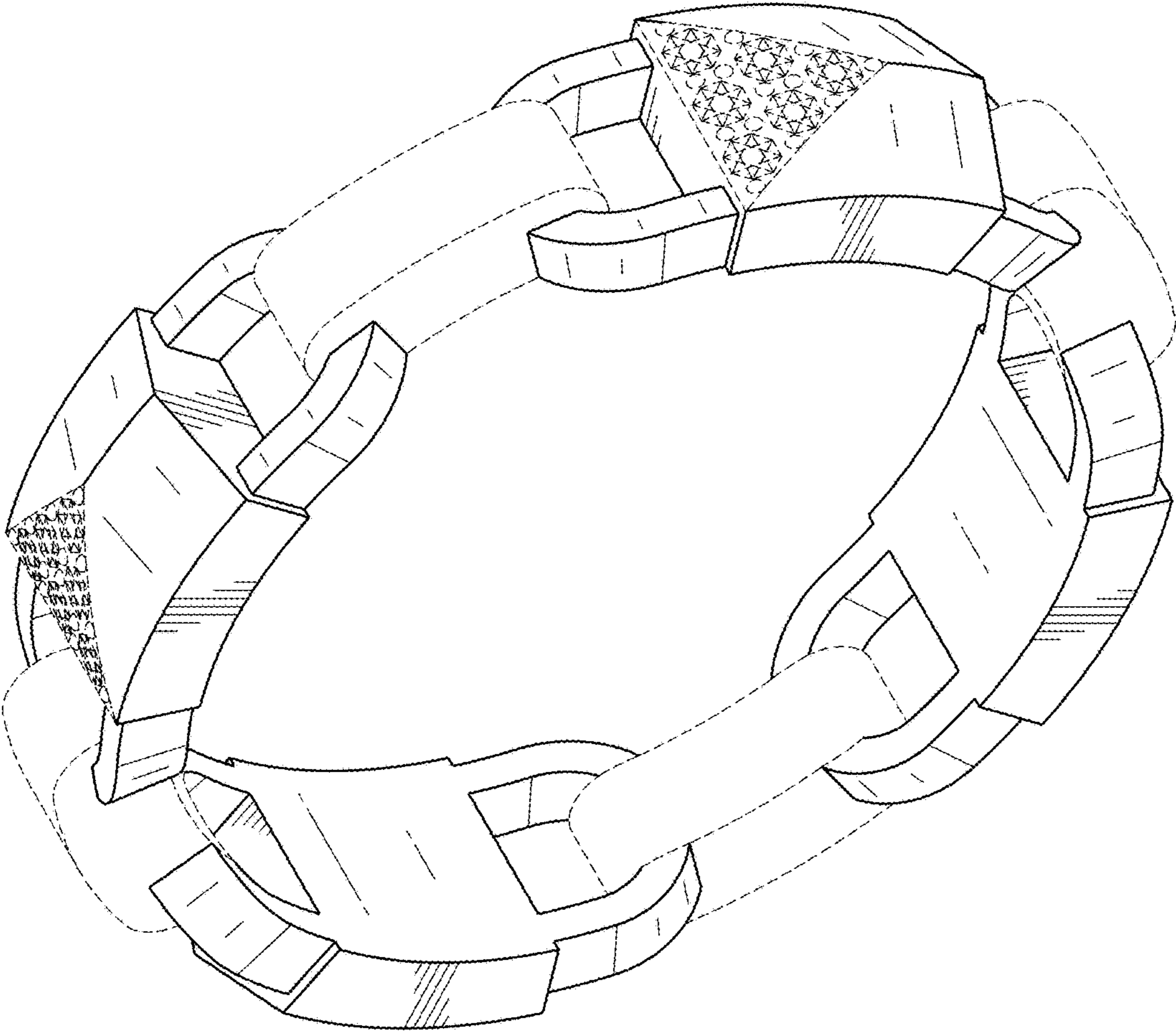


FIG. 9

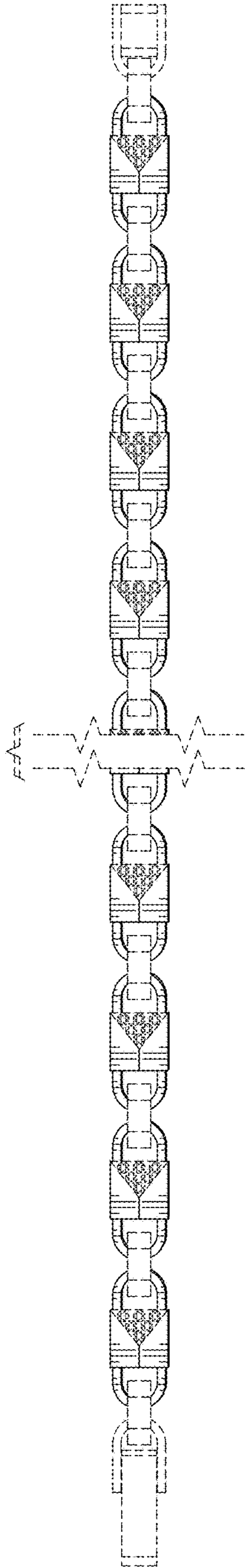


FIG. 10

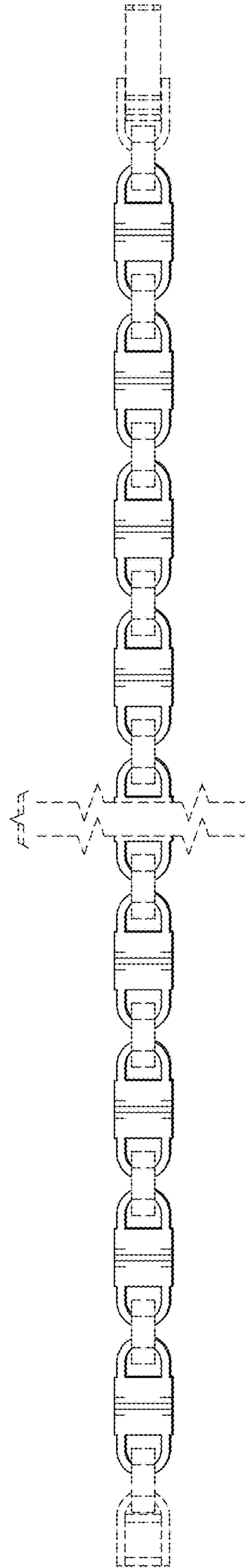


FIG. 11





FIG. 12

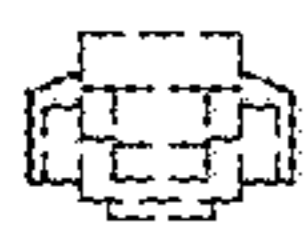


FIG. 13

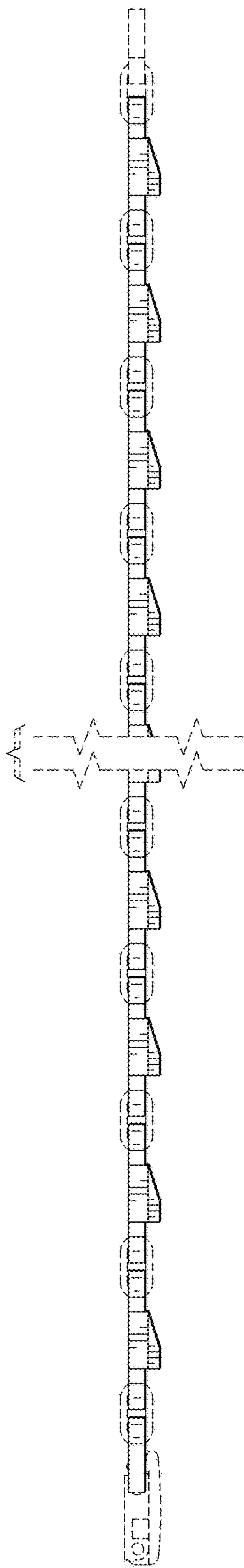


FIG. 14

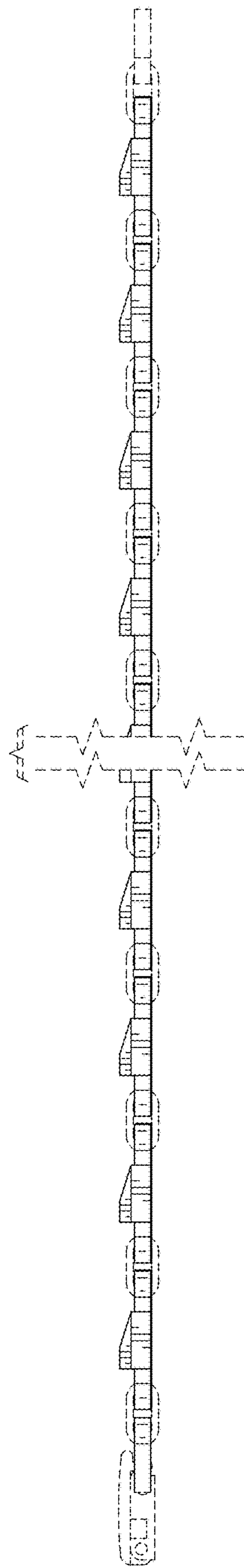


FIG. 15

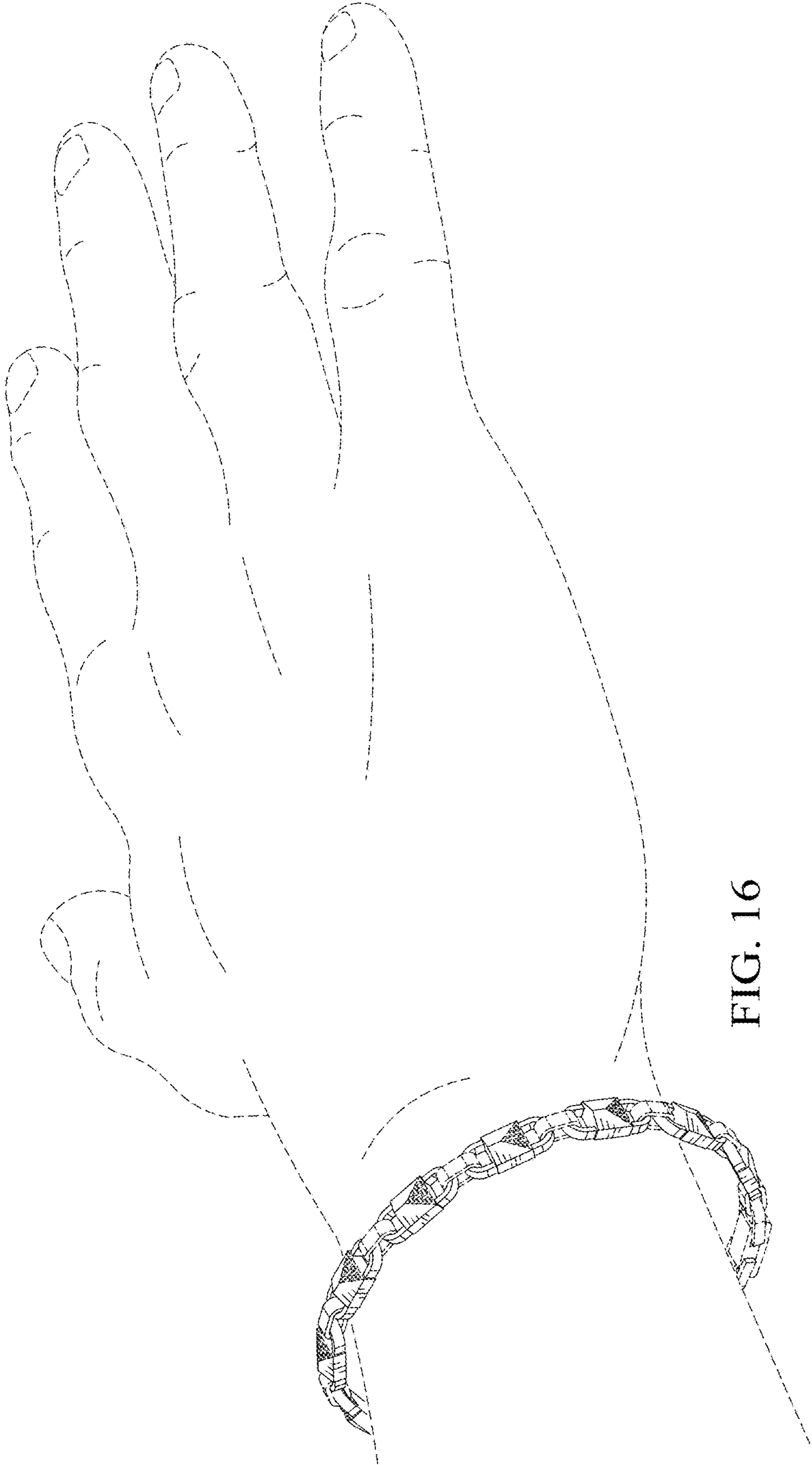


FIG. 16

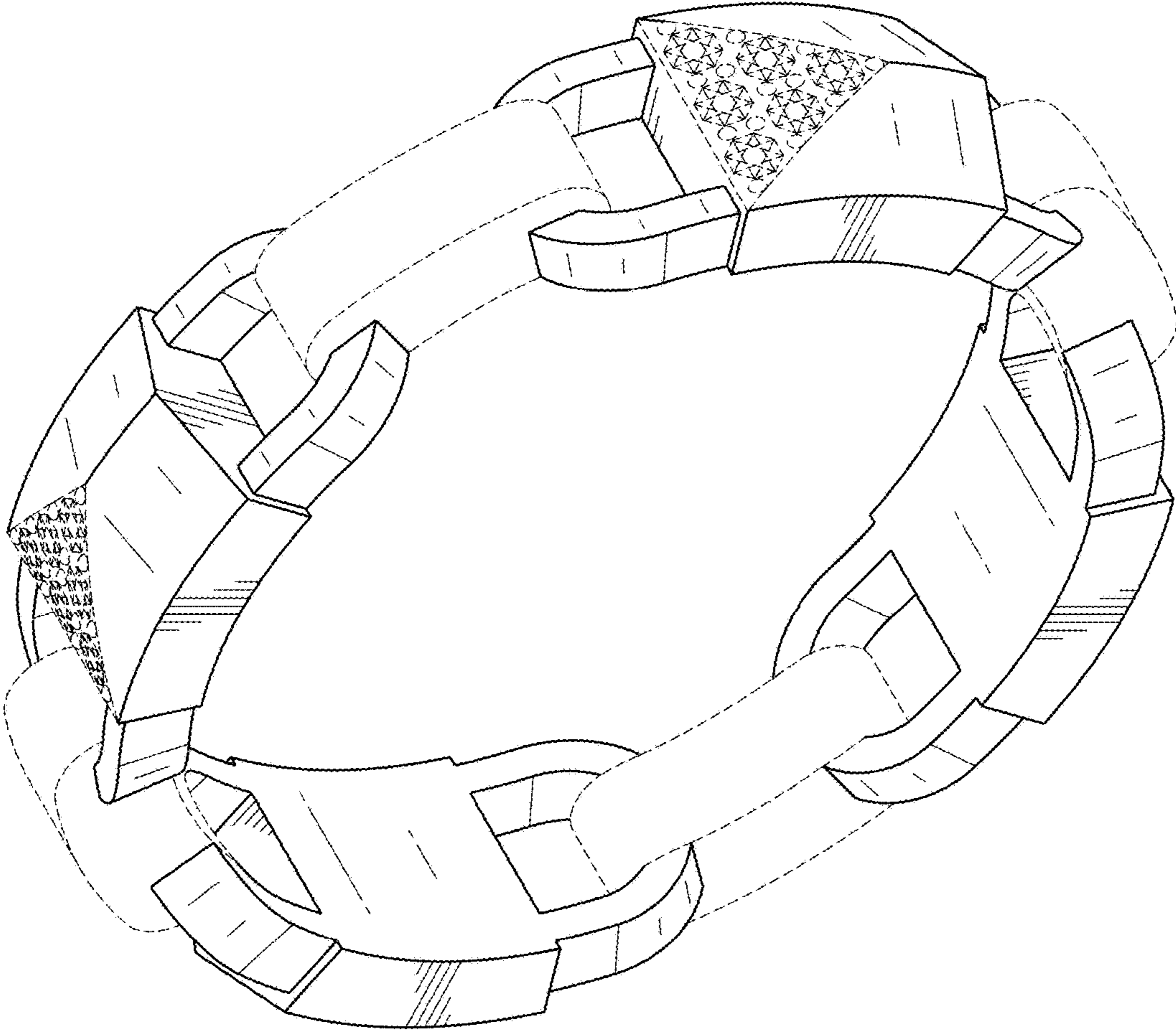


FIG. 17

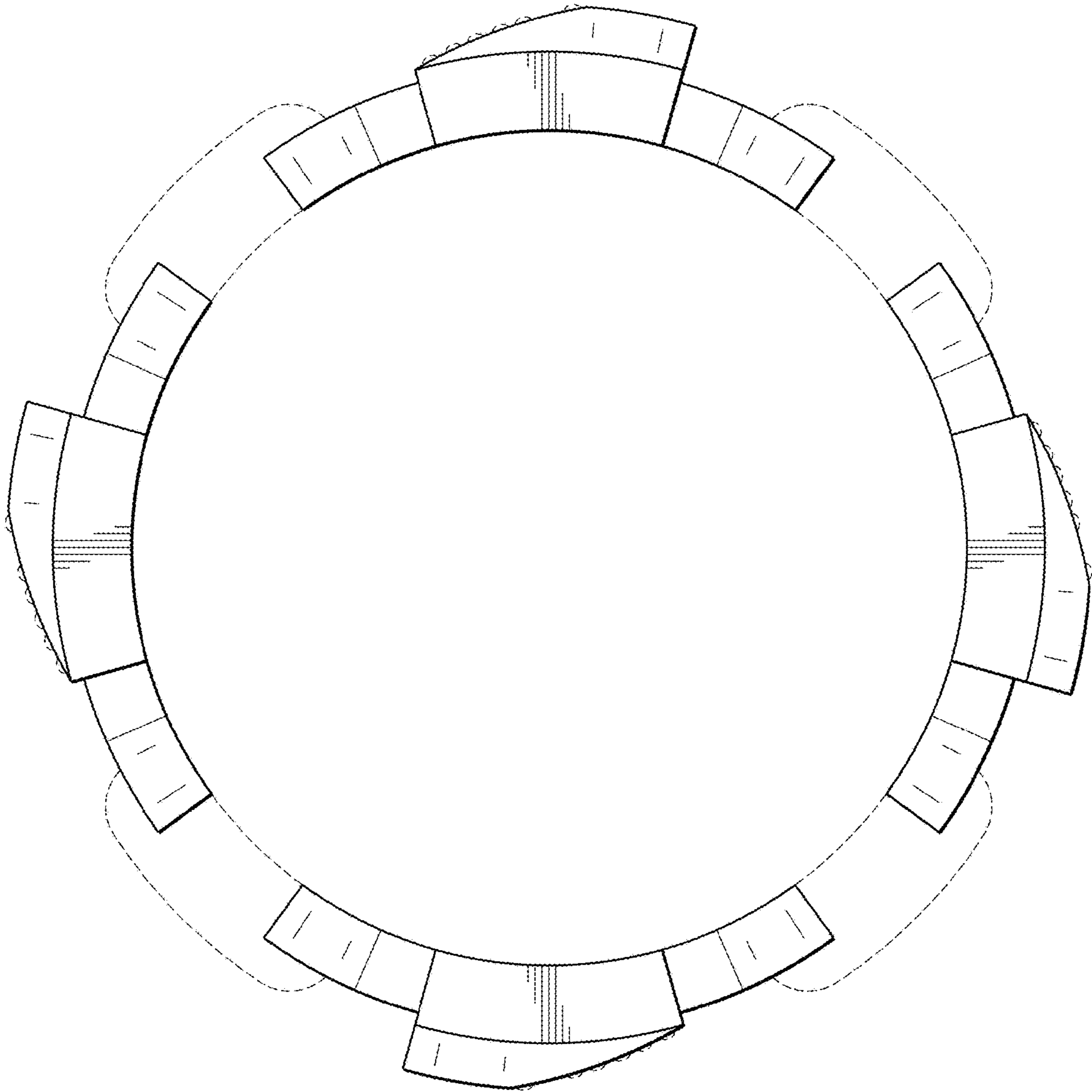


FIG. 18

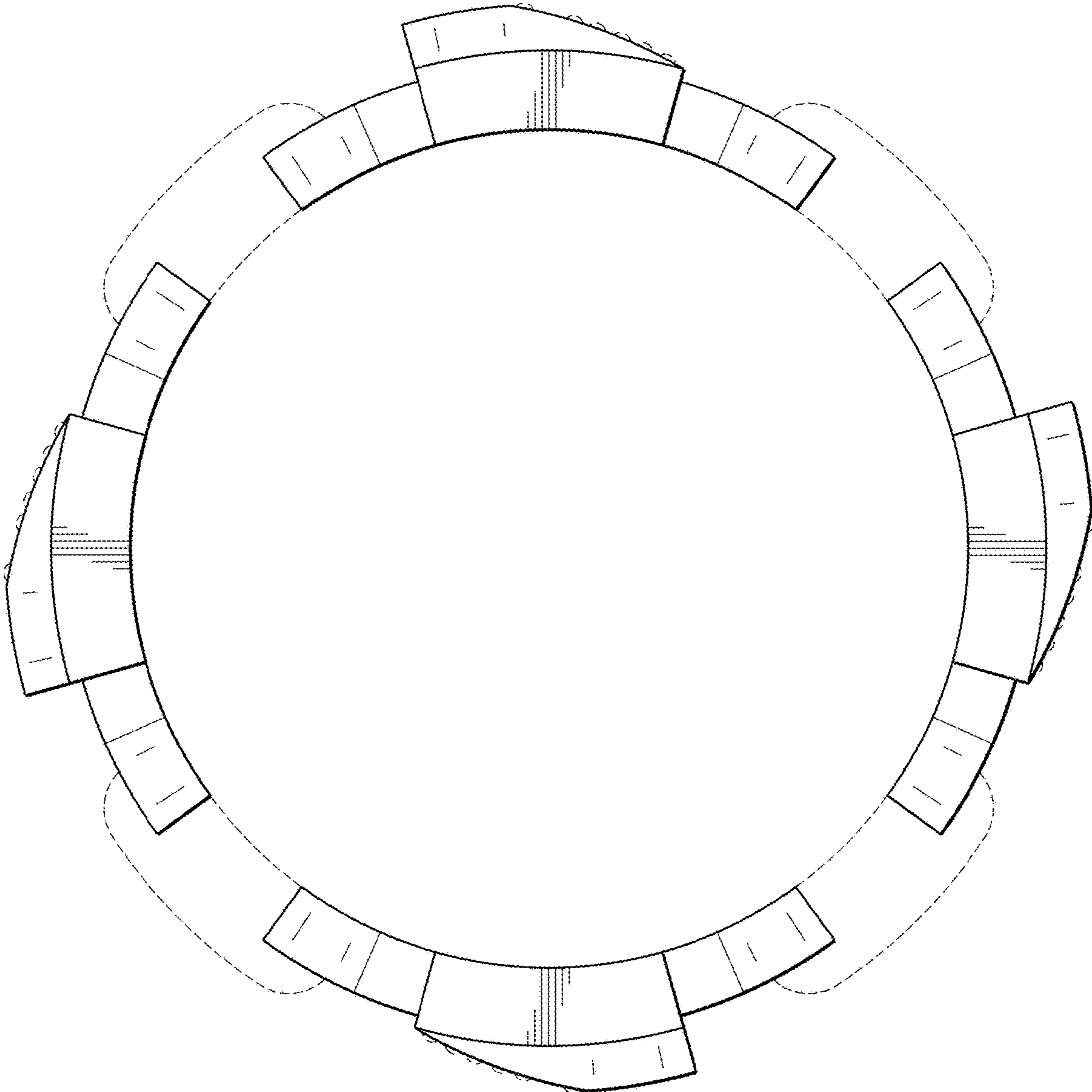


FIG. 19

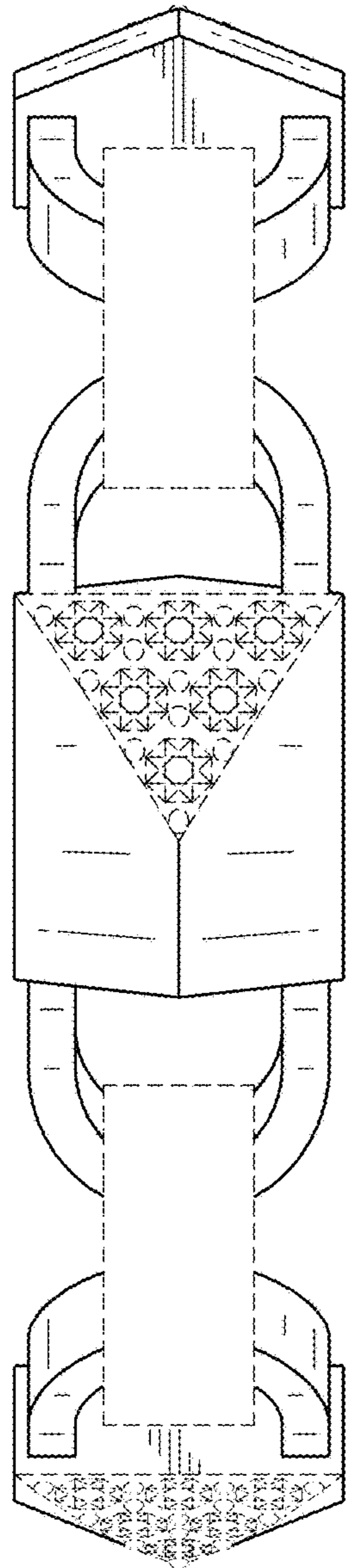


FIG. 20

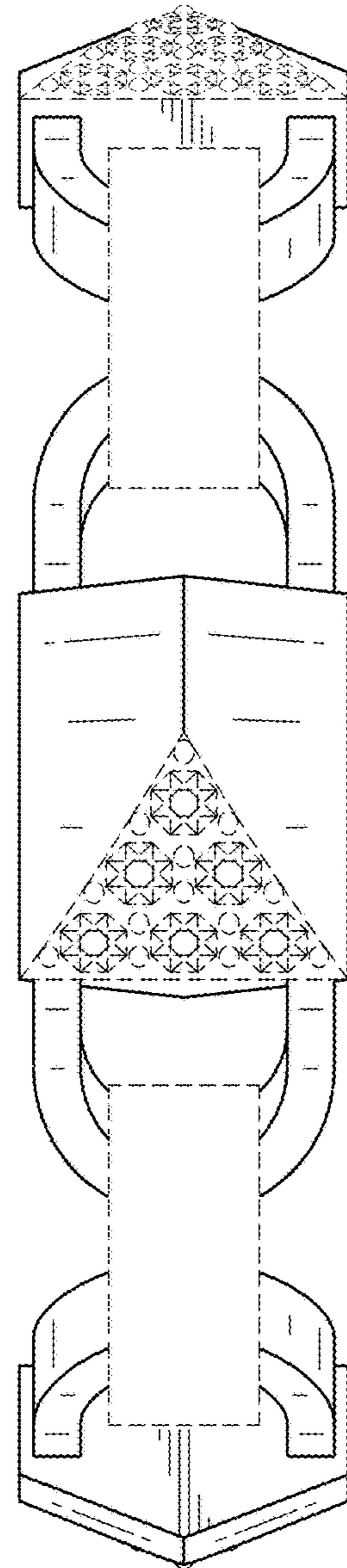


FIG. 21

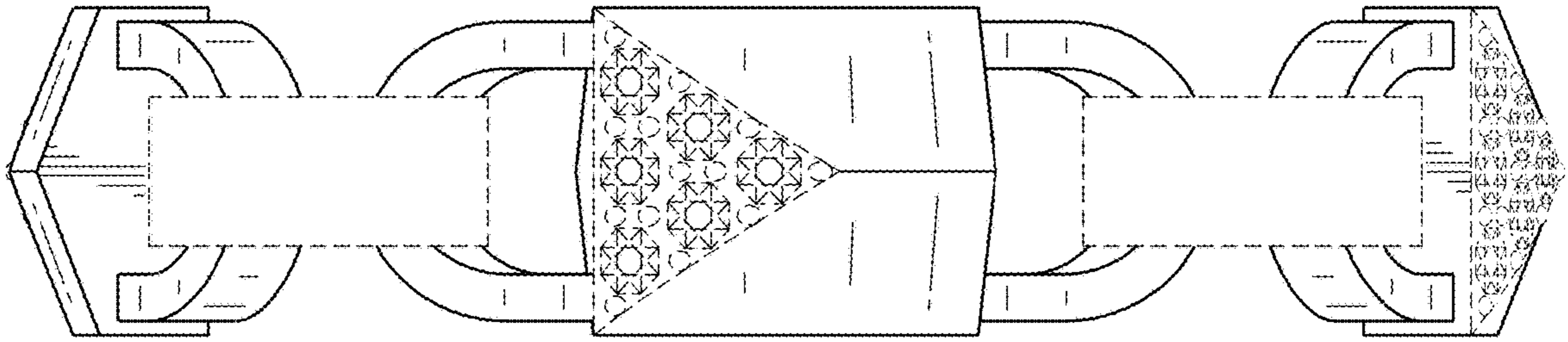


FIG. 22

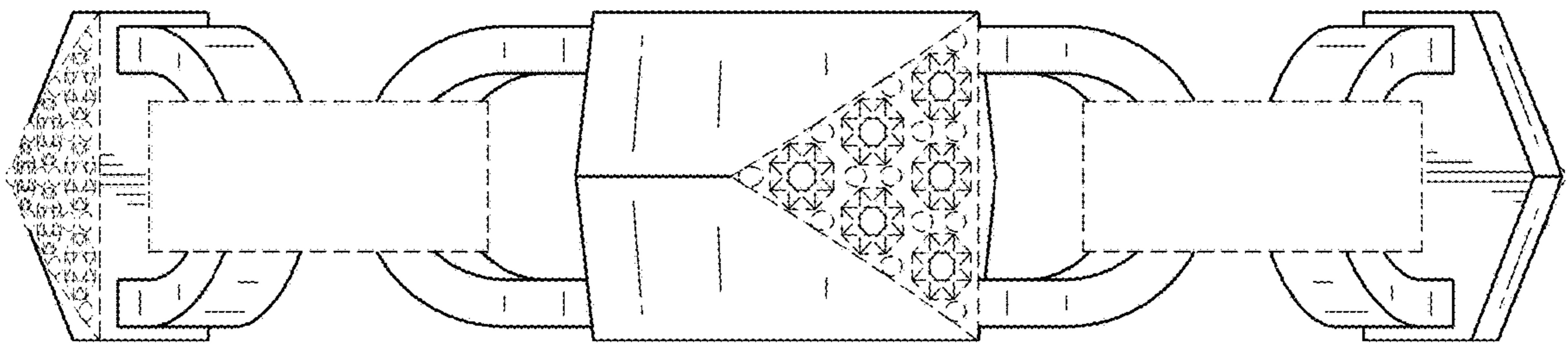


FIG. 23

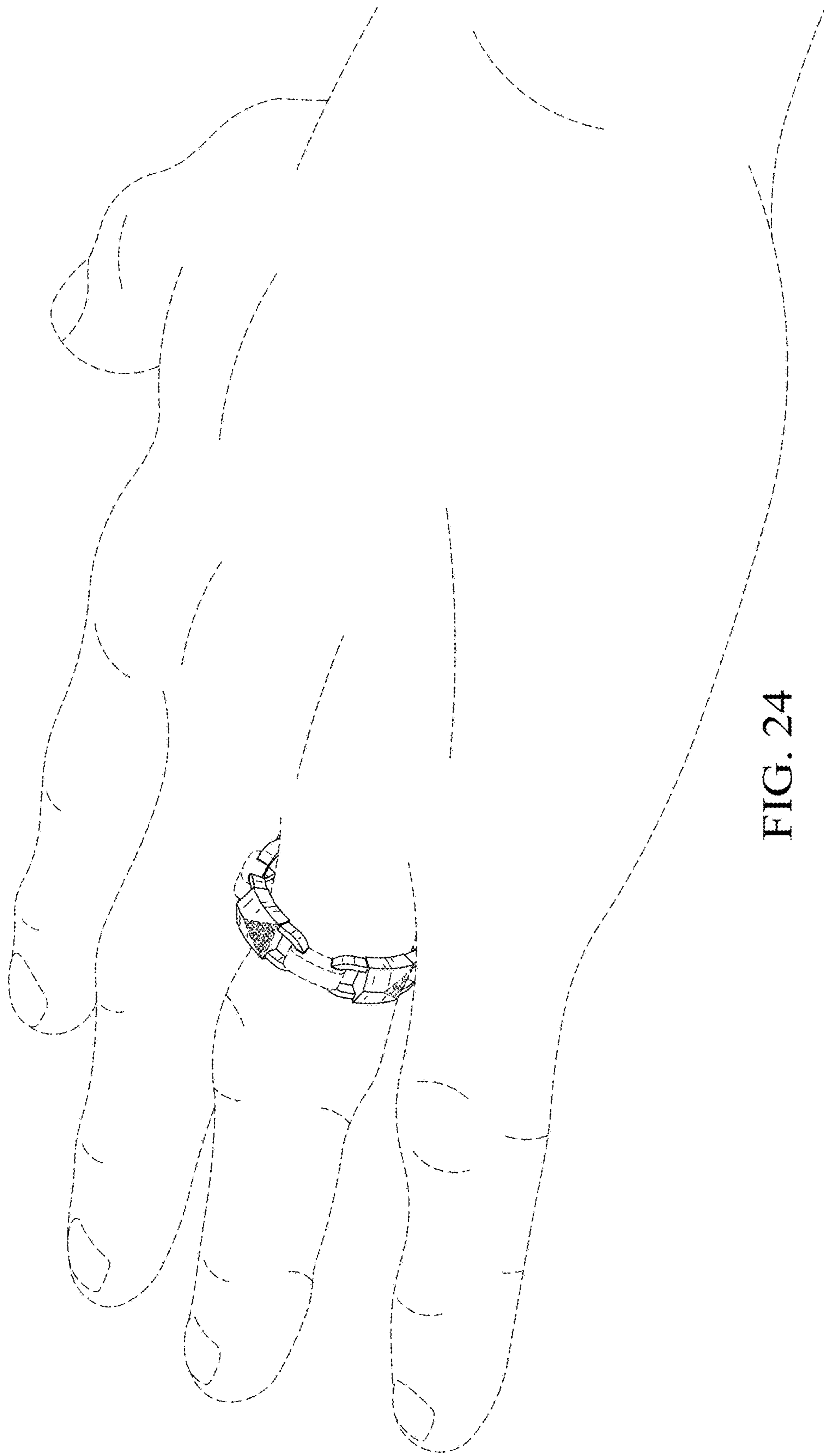


FIG. 24



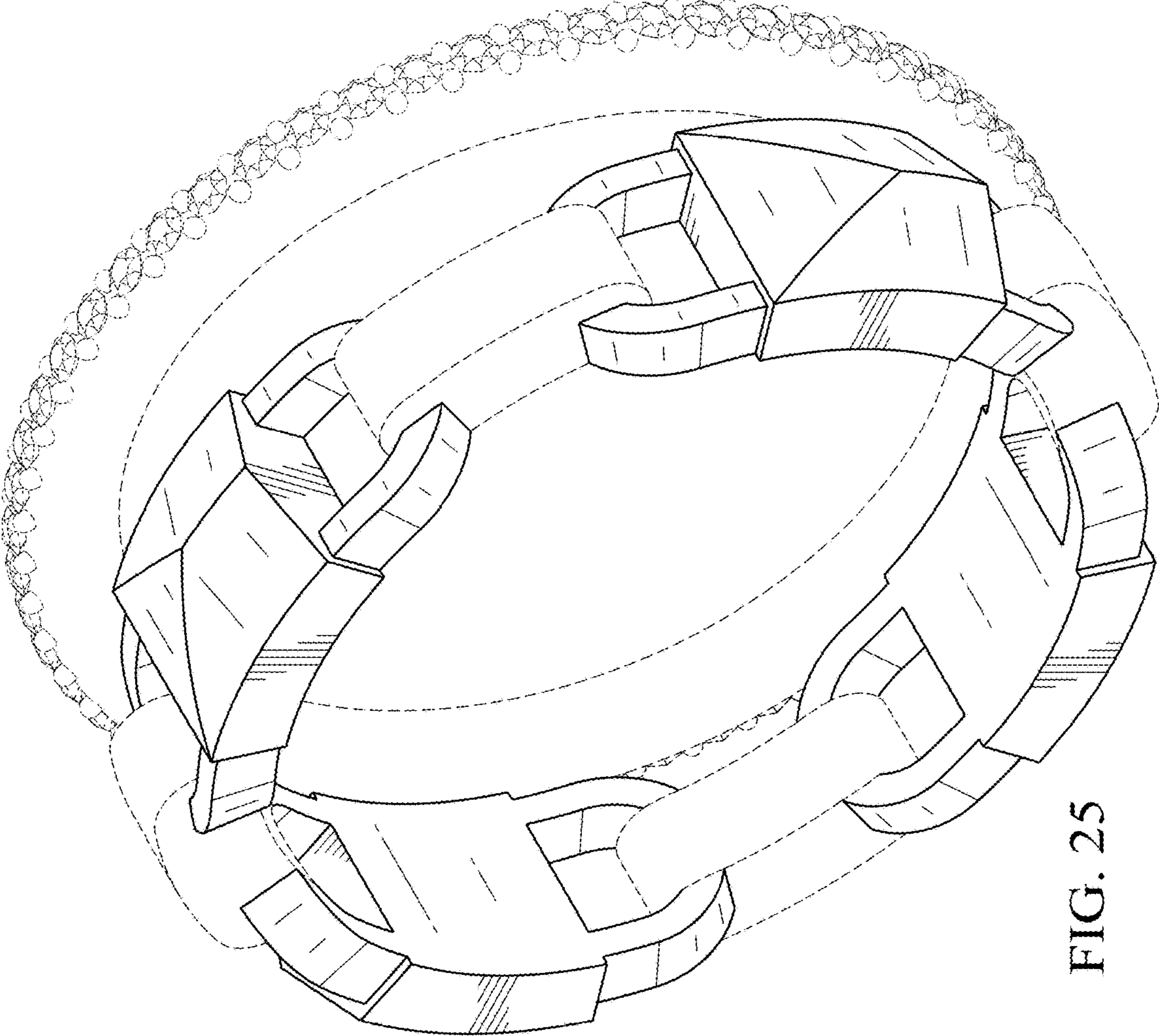


FIG. 25

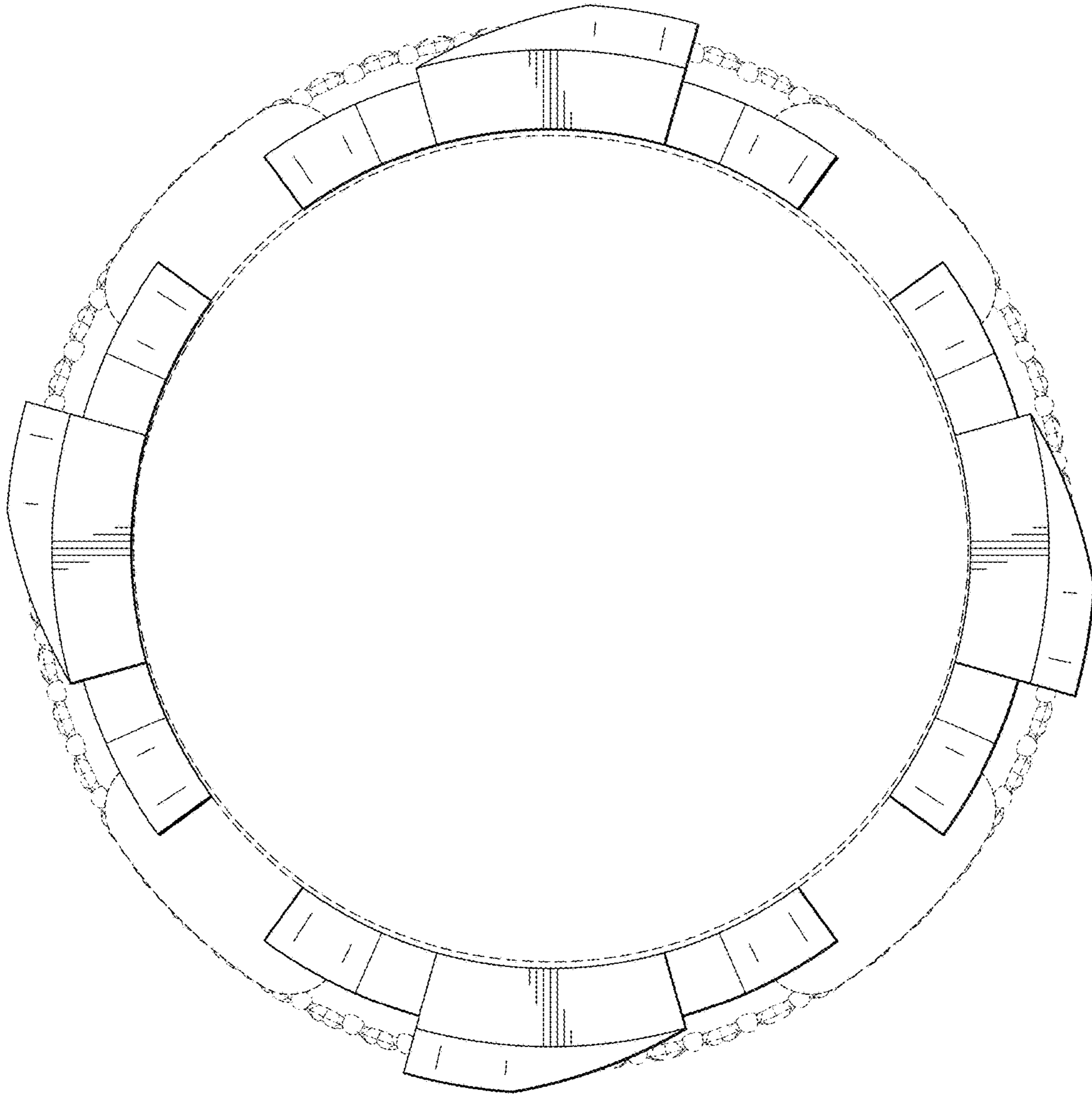


FIG. 26

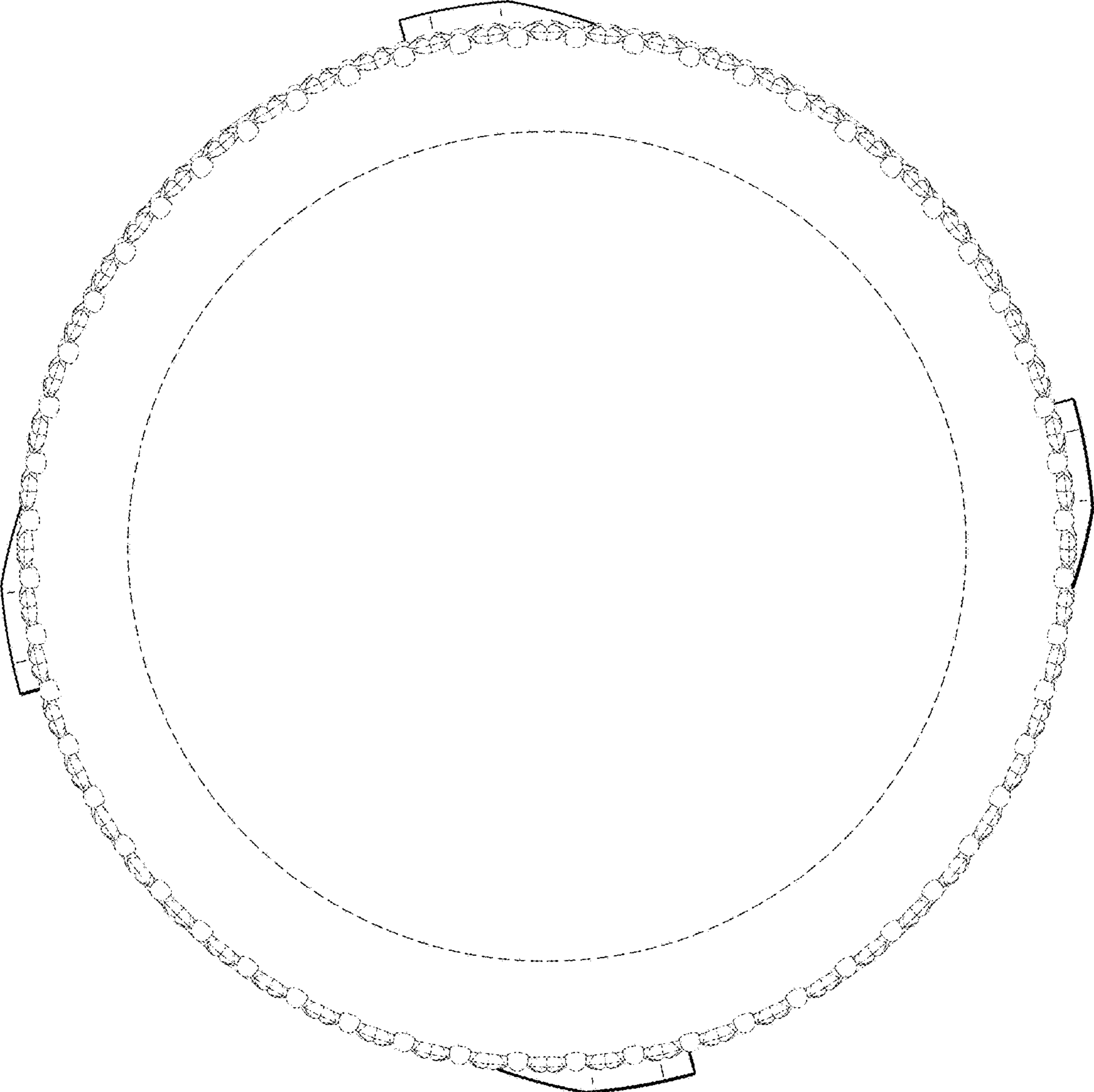


FIG. 27

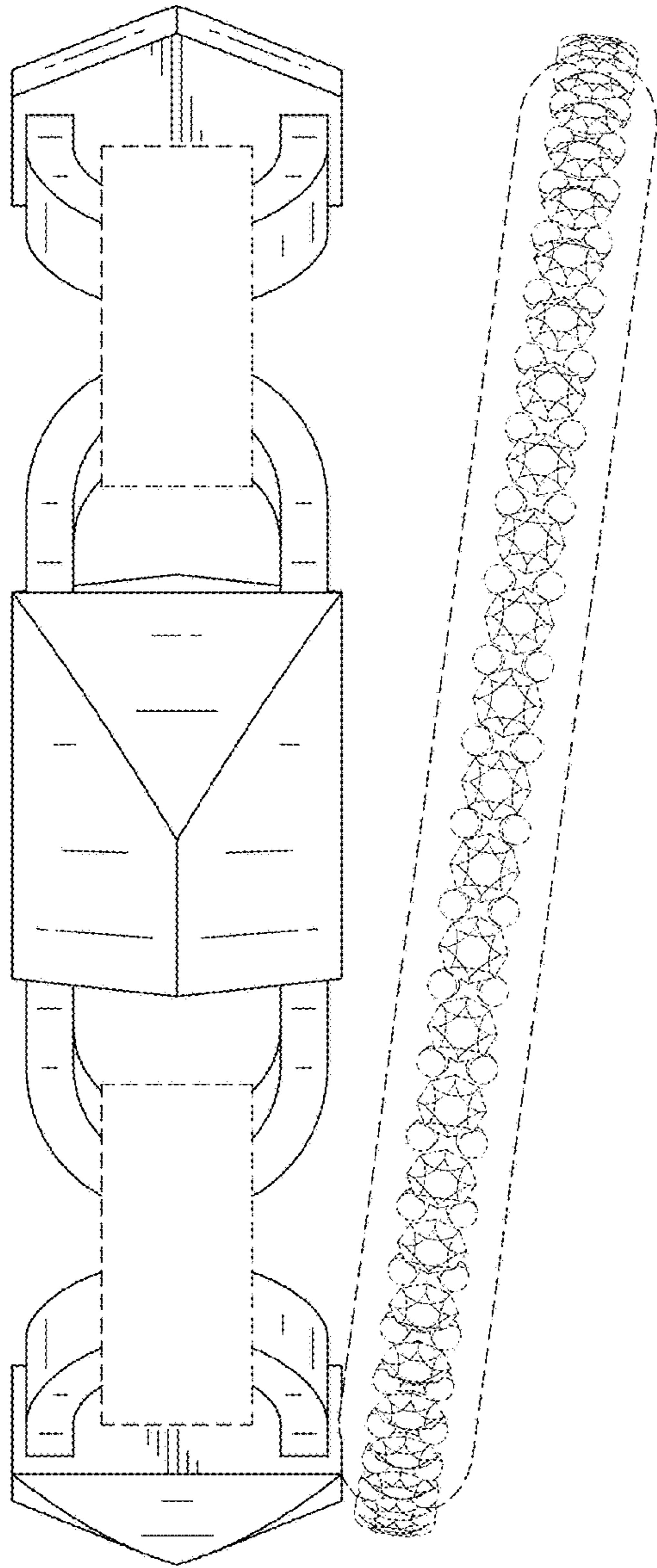


FIG. 28

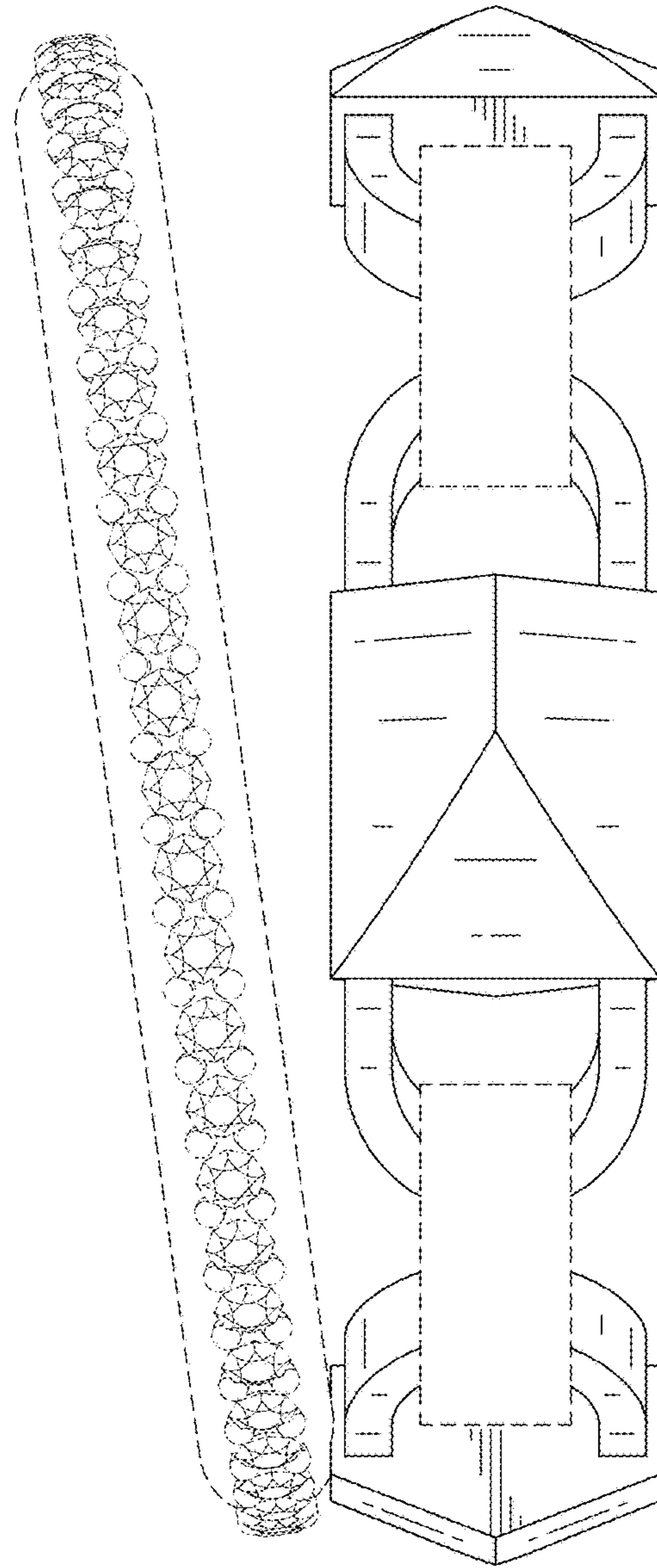


FIG. 29

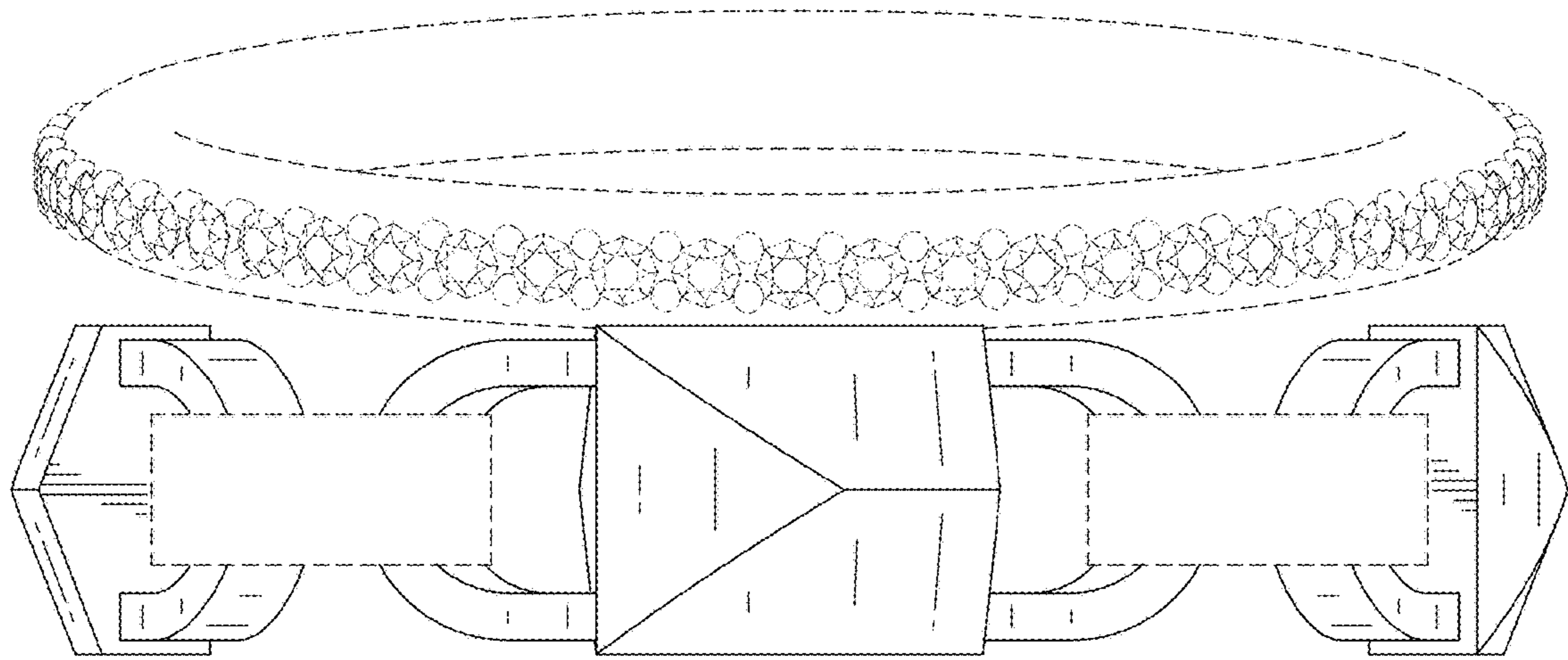


FIG. 30

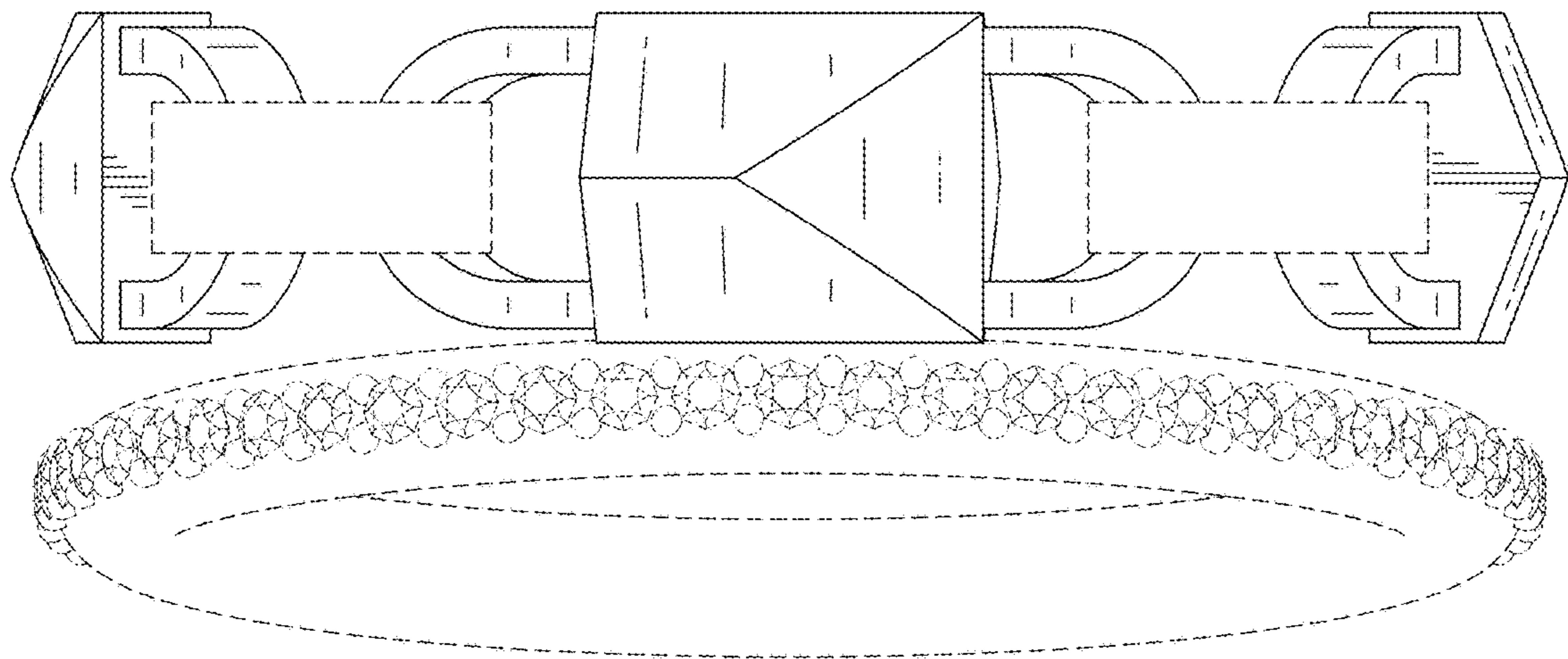


FIG. 31

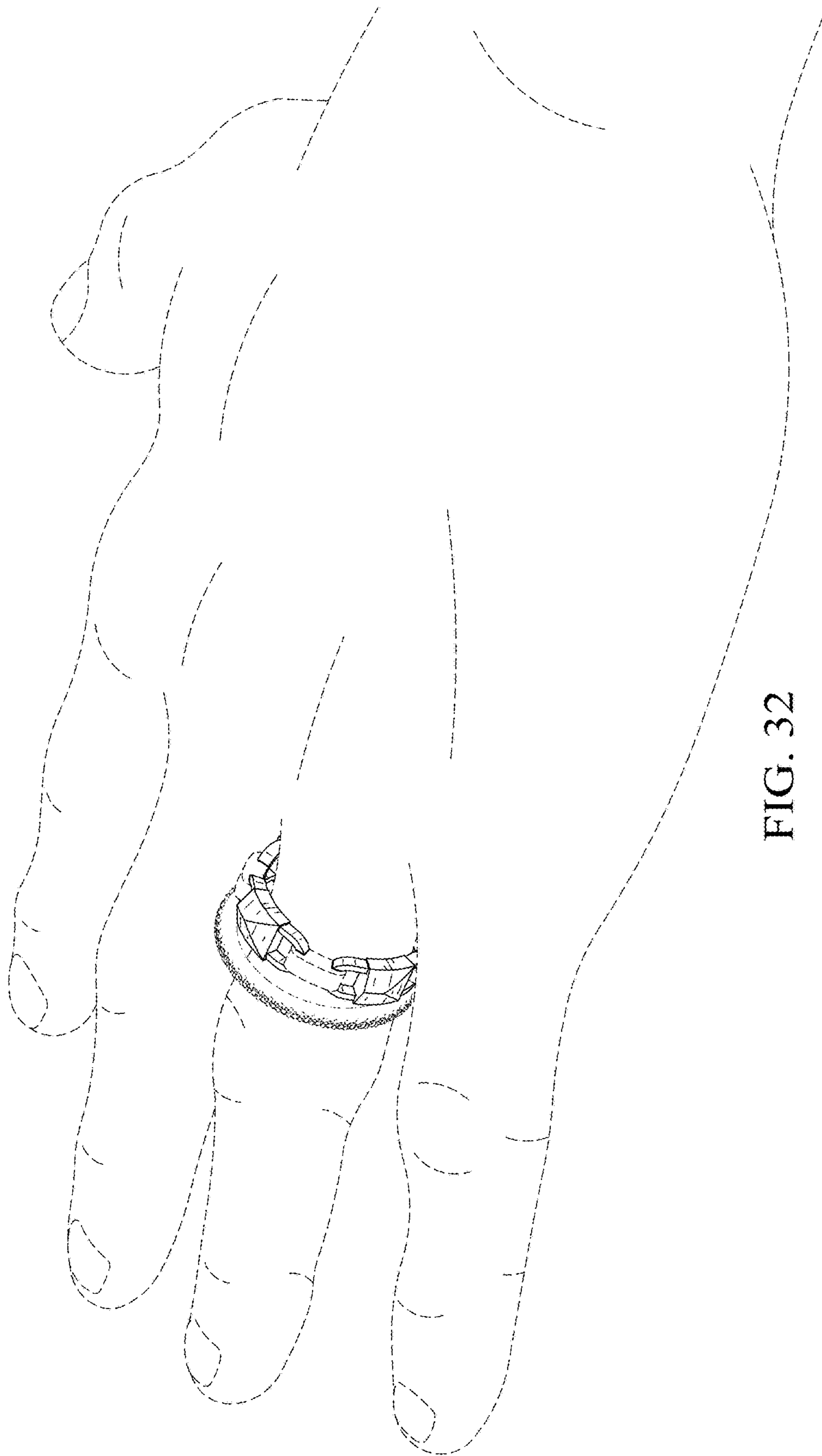


FIG. 32

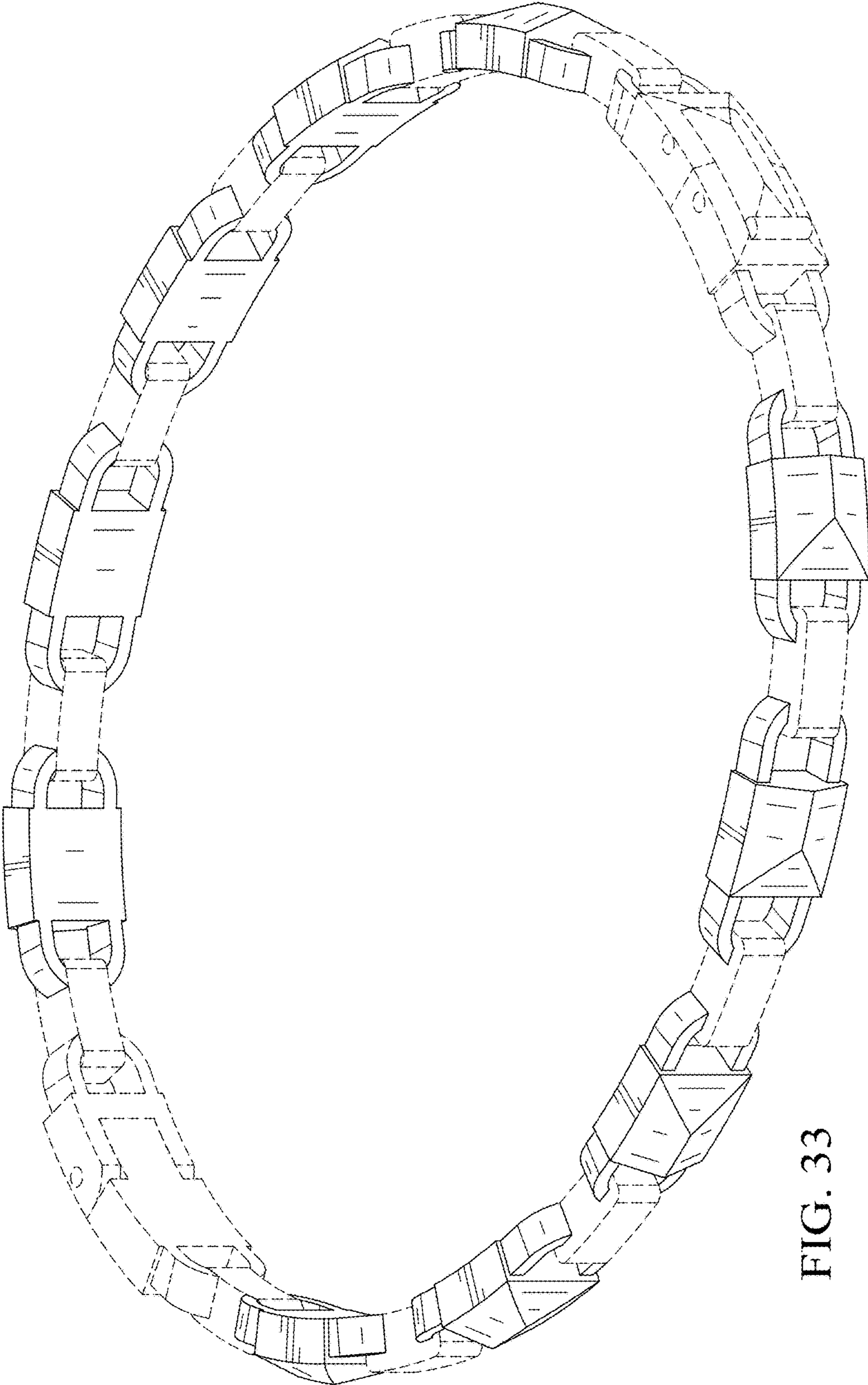


FIG. 33

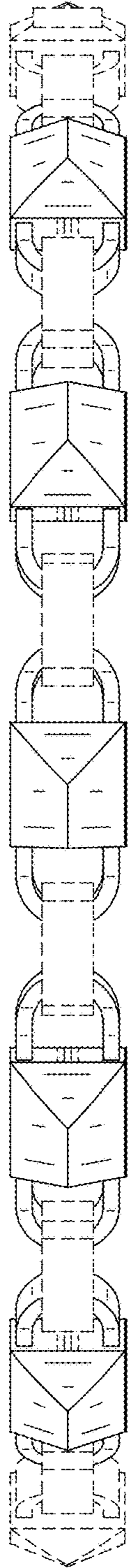


FIG. 34

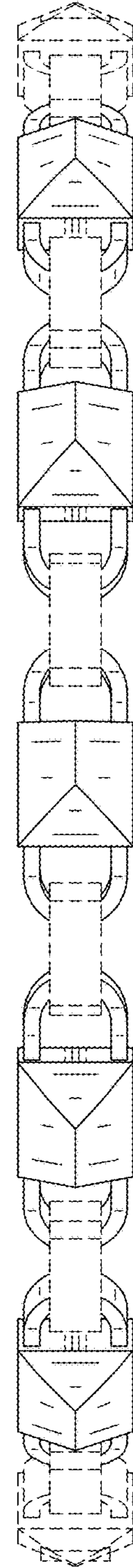


FIG. 35



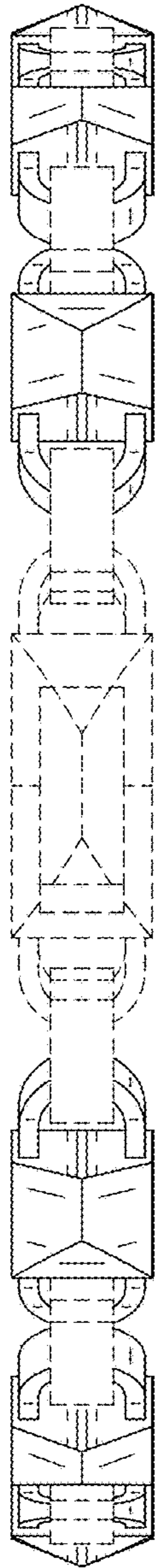


FIG. 36

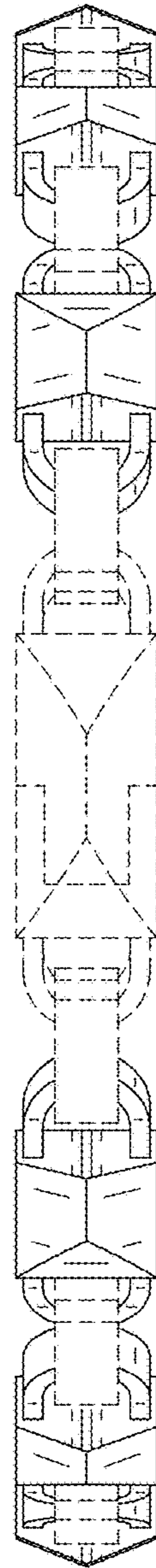


FIG. 37

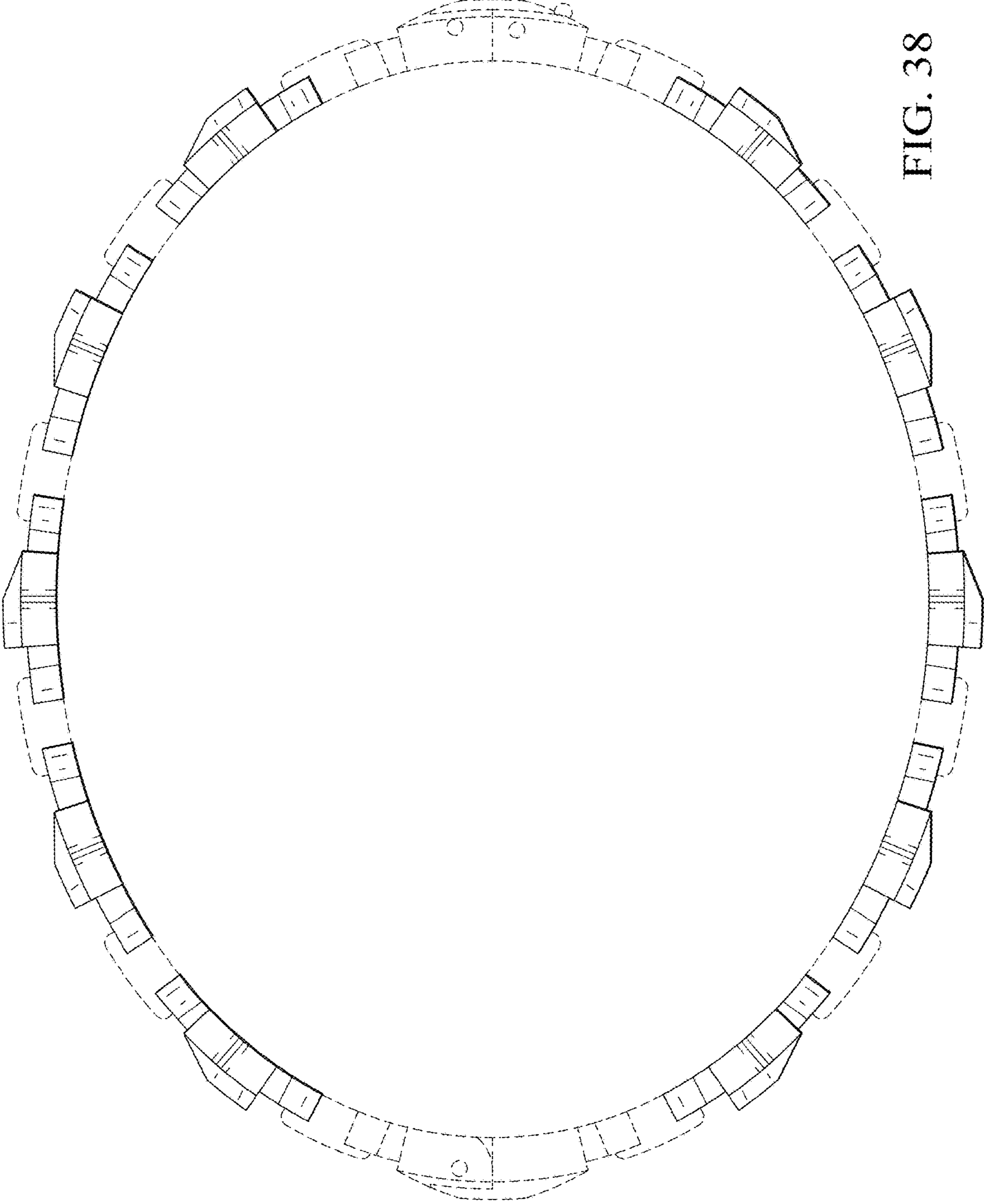


FIG. 38

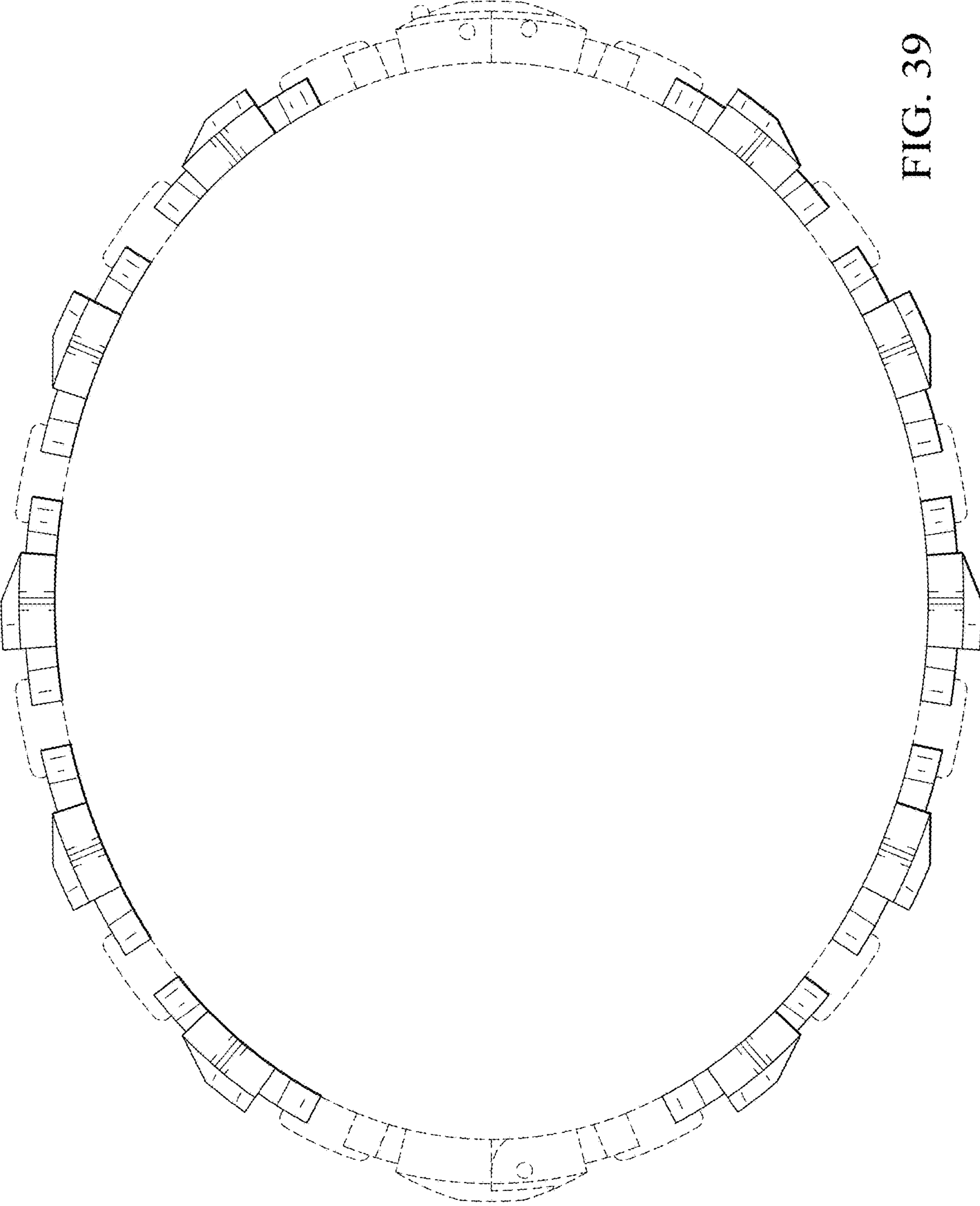


FIG. 39

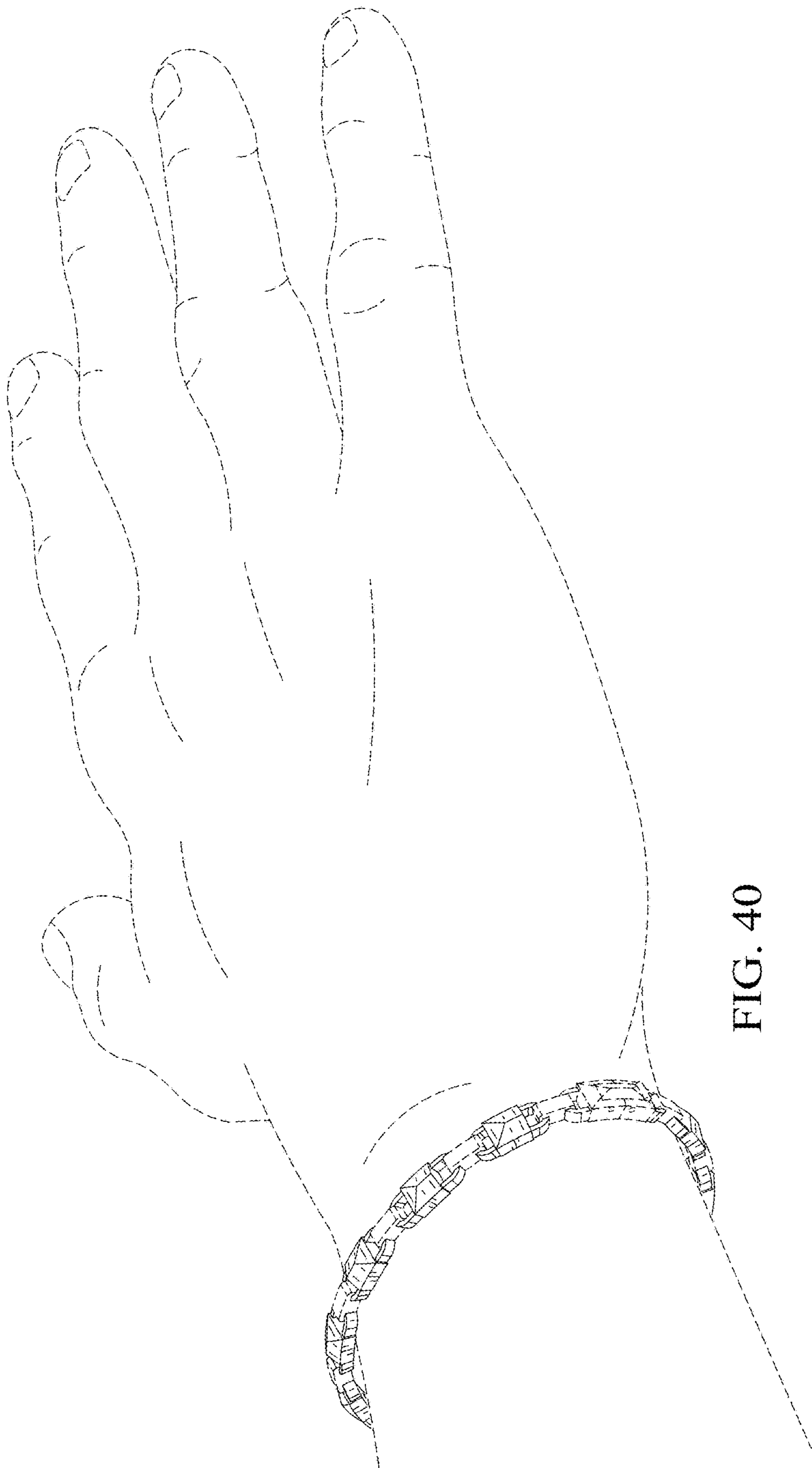


FIG. 40

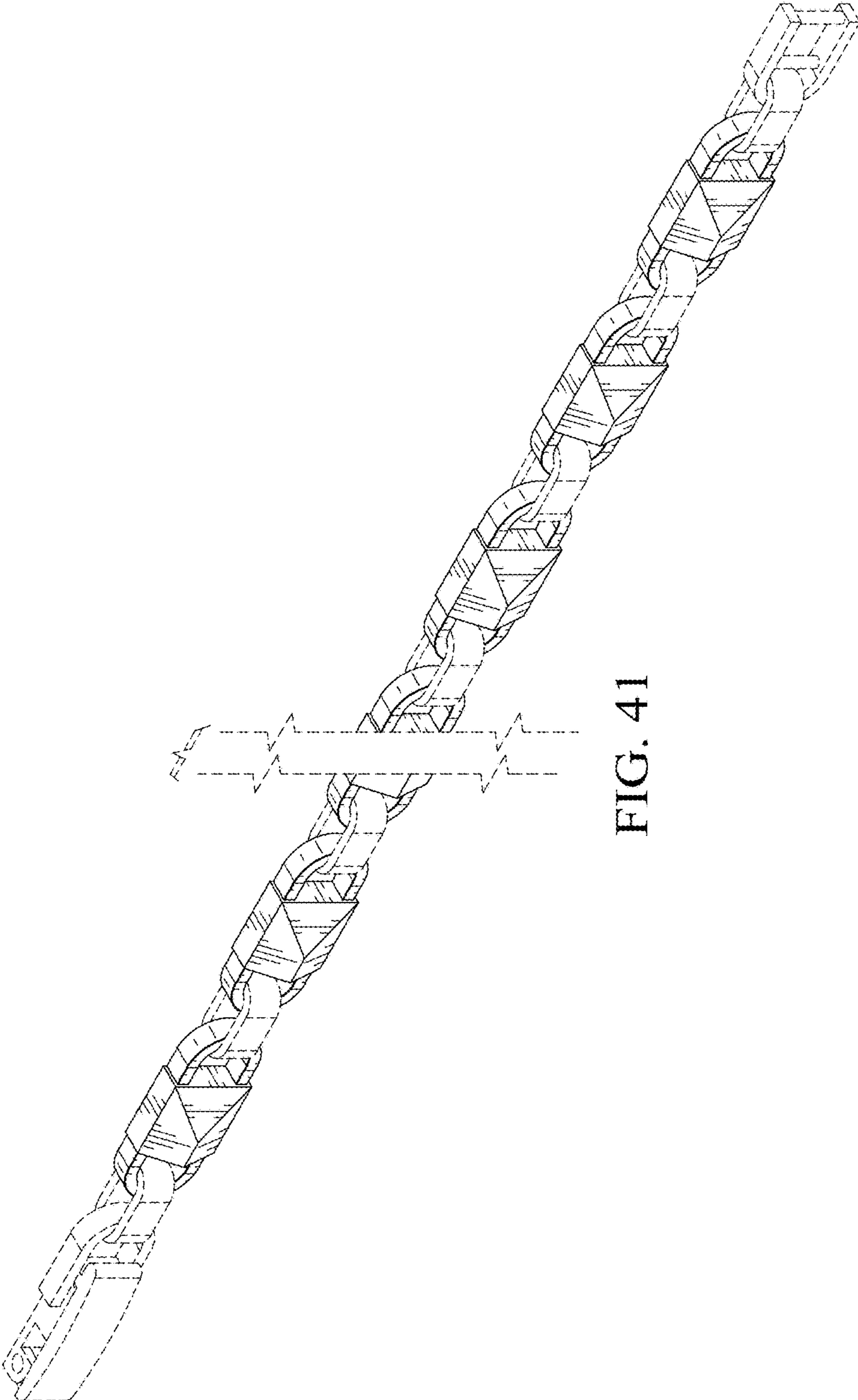


FIG. 41

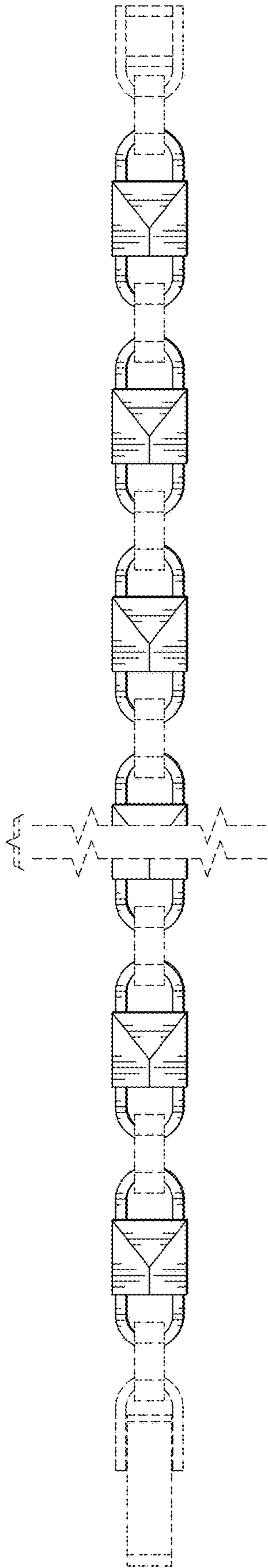


FIG. 42

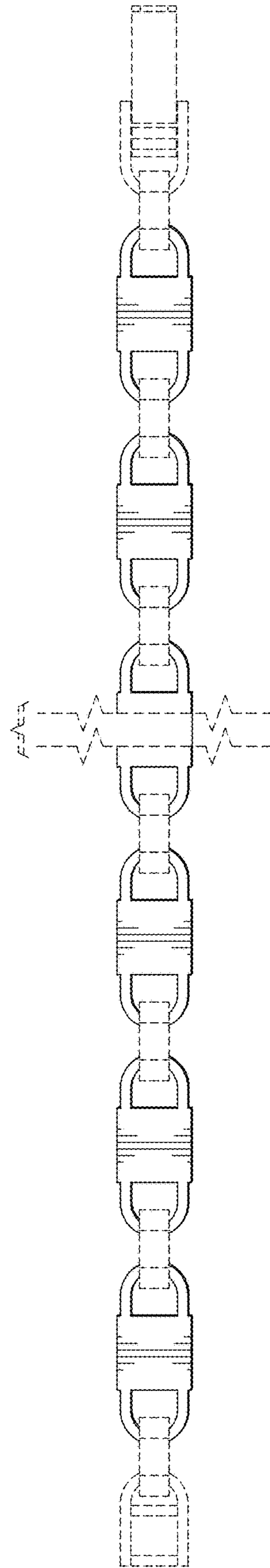


FIG. 43



FIG. 45

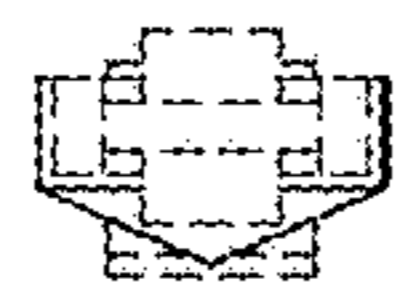


FIG. 44

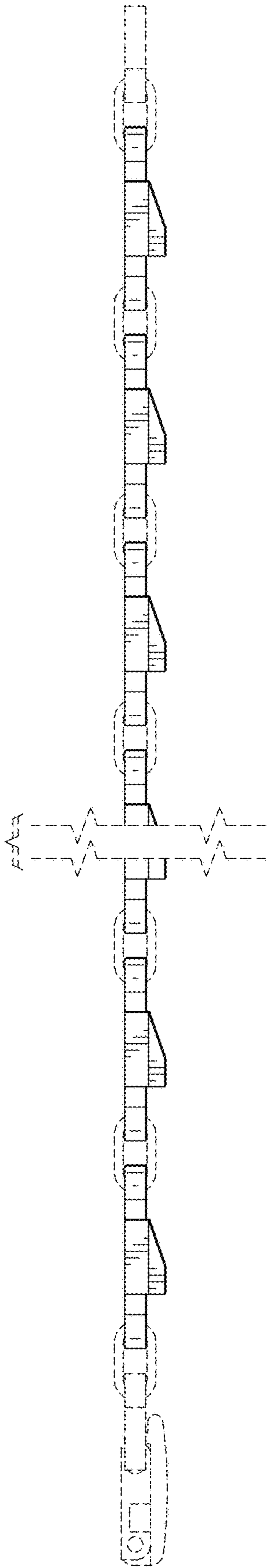


FIG. 46

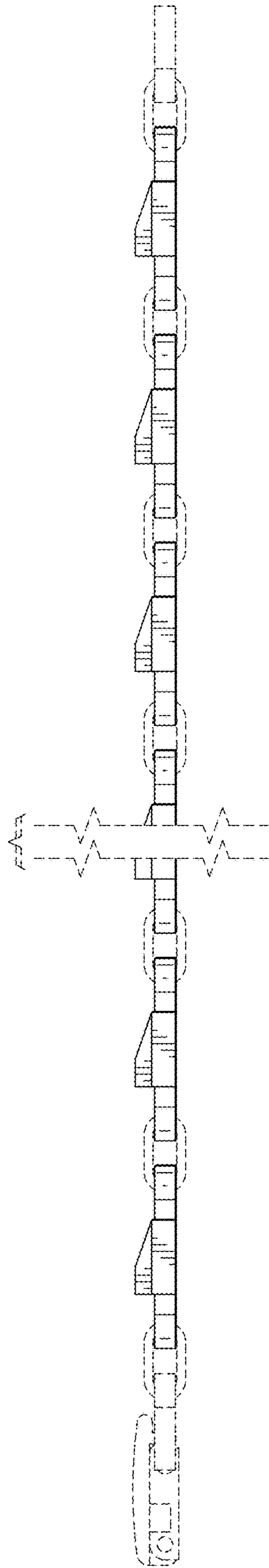


FIG. 47



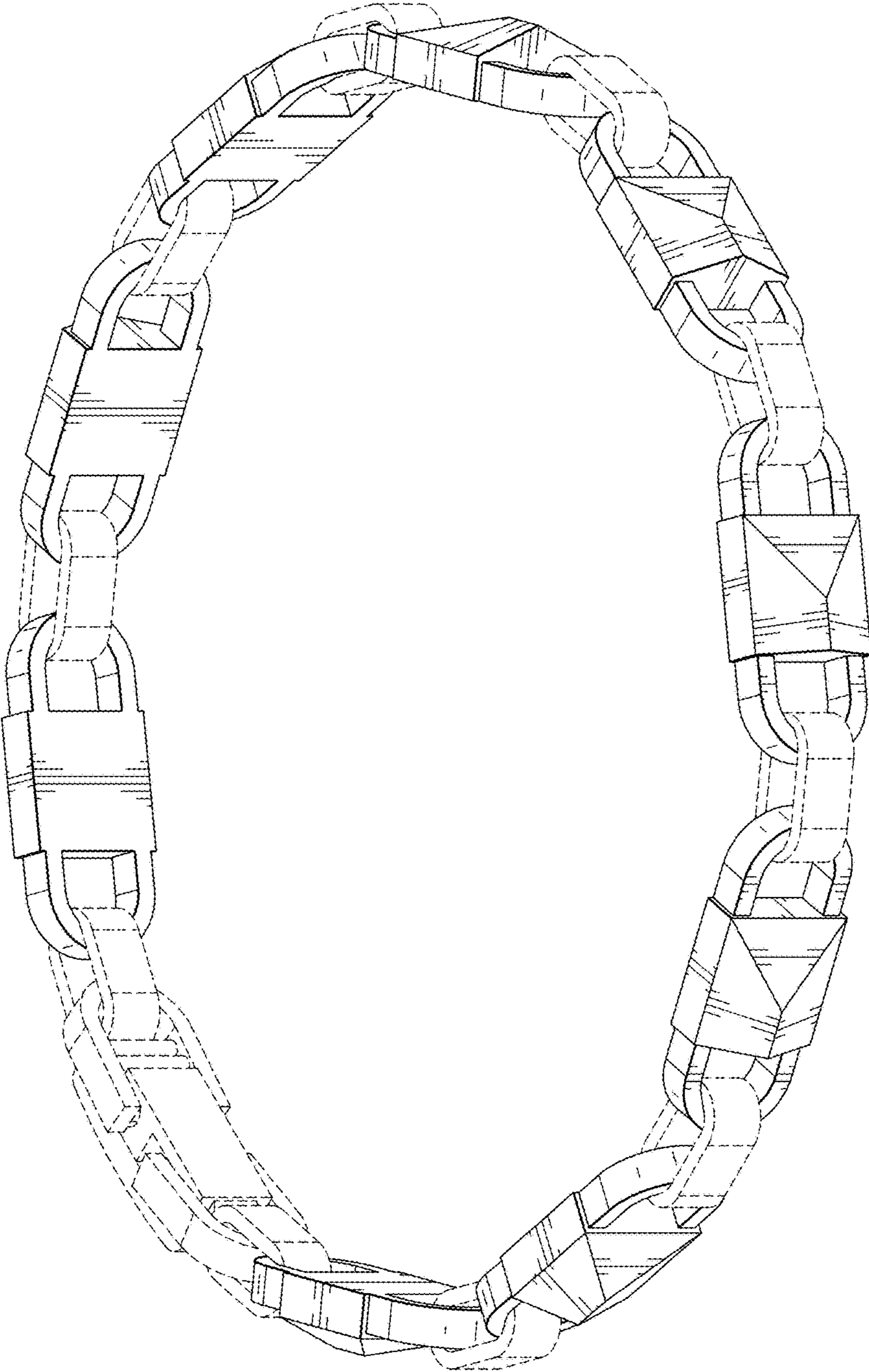


FIG. 48

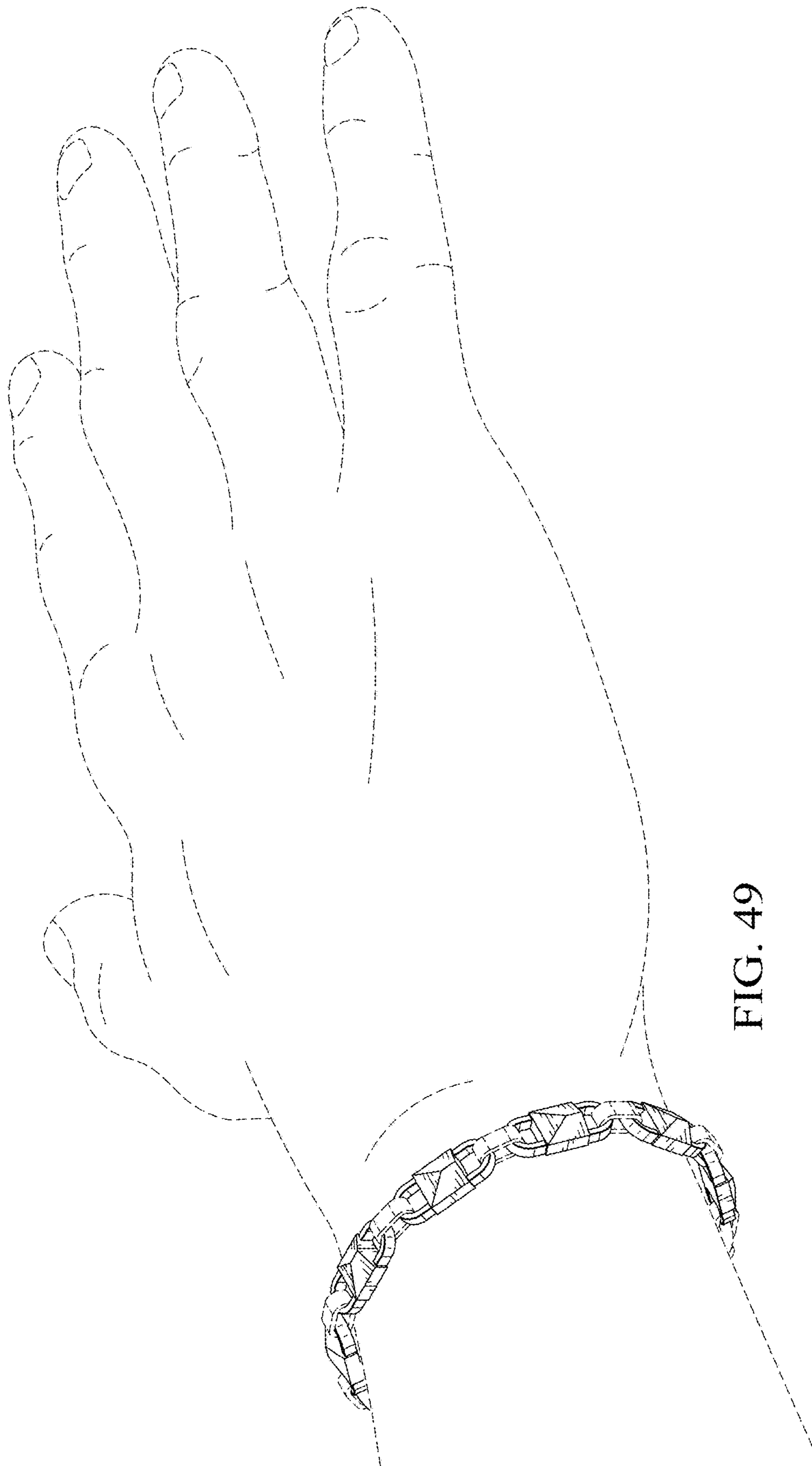


FIG. 49