



US00D839113S

(12) **United States Design Patent** (10) **Patent No.:** **US D839,113 S**  
**Xie** (45) **Date of Patent:** **\*\* Jan. 29, 2019**

(54) **FAULT DIAGNOSIS APPARATUS FOR VEHICLE (KW590)**

31/007; G01R 31/3648; G01R 31/3693; G01R 31/3627; G01R 31/31907; G01R 31/319; G01R 31/28

(71) Applicant: **Shenzhen Jiawei Hengxin Technology Co., Ltd.**, Shenzhen (CN)

See application file for complete search history.

(72) Inventor: **Zuce Xie**, Guangdong (CN)

(56) **References Cited**

(\*\*) Term: **15 Years**

U.S. PATENT DOCUMENTS

(21) Appl. No.: **29/616,534**

5,916,286 A *	6/1999	Seashore .....	H04L 41/0856 701/33.2
D510,045 S *	9/2005	Lipscomb .....	D10/78
6,988,053 B2 *	1/2006	Namaky .....	G01R 31/007 320/104
D519,046 S *	4/2006	Lipscomb .....	D10/78
D629,318 S *	12/2010	Disch .....	D10/78
D787,349 S *	5/2017	Payne .....	D10/78
9,646,432 B2 *	5/2017	Madison .....	G07C 5/085

(22) Filed: **Sep. 6, 2017**

(51) **LOC (11) Cl.** ..... **10-04**

(52) **U.S. Cl.**  
USPC ..... **D10/78**

(58) **Field of Classification Search**  
USPC ..... D10/78

CPC .... G08B 21/187; G08B 21/182; G05B 15/02;  
G07C 3/00; G07C 5/0808; G07C 5/085;  
G07C 5/00; G07C 5/002; G07C 5/004;  
G07C 5/006; G07C 5/008; G07C 5/02;  
G07C 5/04; G07C 5/06; G07C 5/08;  
G07C 5/0816; G07C 5/0825; G07C  
5/0833; G07C 5/0841; G07C 5/0858;  
G07C 5/0866; G07C 5/0875; G07C  
5/0883; G07C 5/0891; G07C 5/10; G07C  
2205/02; F16M 13/02; F16B 1/00; F16B  
2001/0035; G01L 19/08; G01L 19/083;  
G01L 19/086; G01L 19/10; G01L 19/12;  
G01L 19/14; G01L 19/141; G01L 19/142;  
G01L 19/143; G01L 19/144; G01L 19/45;  
G01L 19/146; G01L 19/147; G01L  
19/148; G01L 19/149; G01L 19/16;  
G01D 5/00; G06F 1/166; G06F 1/1656;  
G06F 1/1626; G06F 1/1609; G06F 1/637;  
G06F 3/03547; G06F 3/04842; G06F  
3/04817; G06F 21/00; G06F 17/00;  
G01M 17/00; G01M 17/007; G01M  
15/05; F17D 1/08; F02P 17/08; G01R

\* cited by examiner

*Primary Examiner* — Antoine Duval Davis  
(74) *Attorney, Agent, or Firm* — Prakash Nama; Global  
IP Services, PLLC

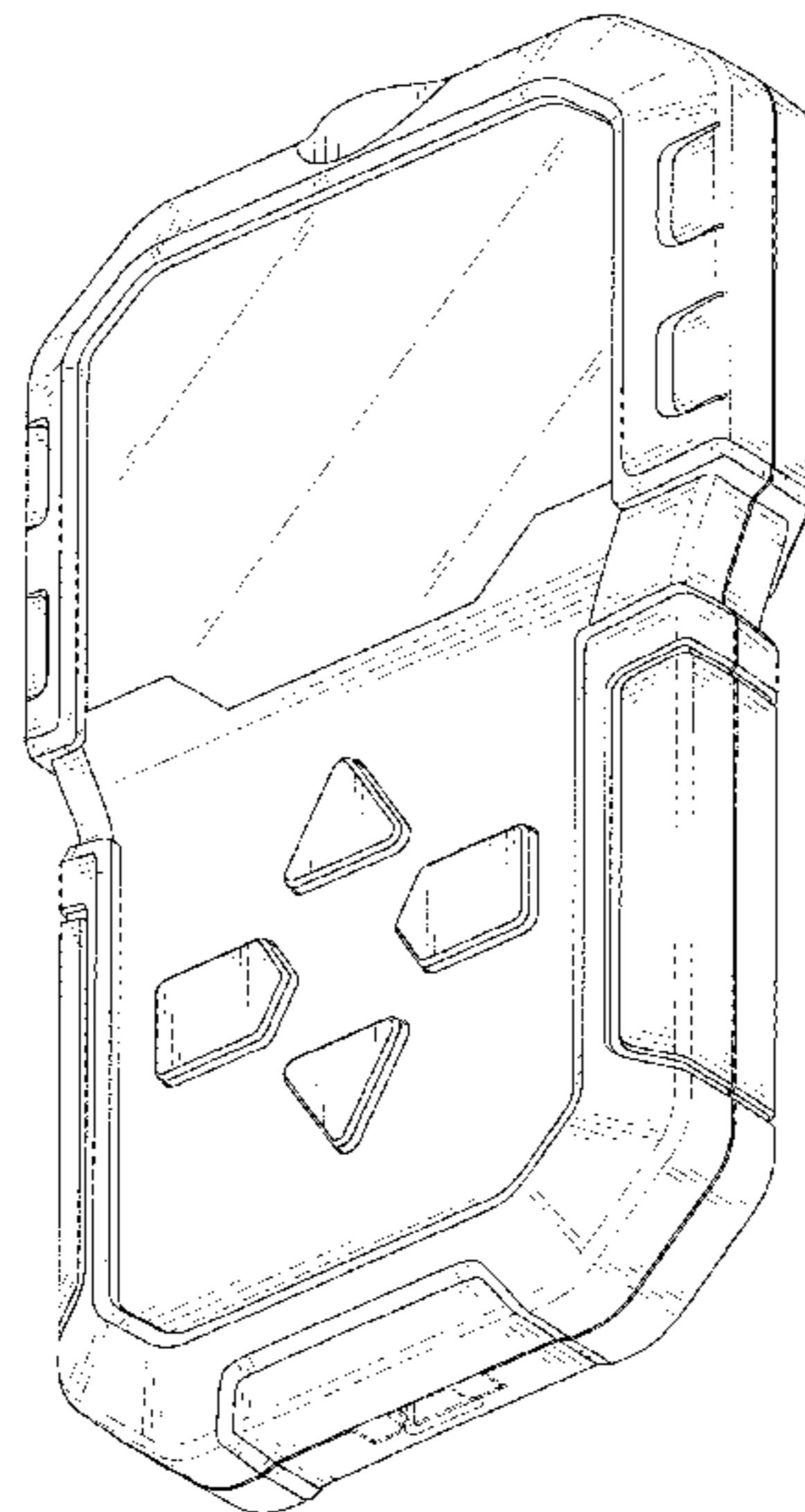
(57) **CLAIM**

The ornamental design for a fault diagnosis apparatus for vehicle (KW590), as shown and described.

**DESCRIPTION**

FIG. 1 is a front elevational view of a fault diagnosis apparatus for vehicle (KW590) showing my new design; FIG. 2 is a rear elevational view thereof; FIG. 3 is a left side view thereof; FIG. 4 is a right side view thereof; FIG. 5 is a top plan view thereof; FIG. 6 is a bottom plan view thereof; and, FIG. 7 is a perspective view thereof. The broken lines shown in Figs. form no part of the claimed design.

**1 Claim, 7 Drawing Sheets**



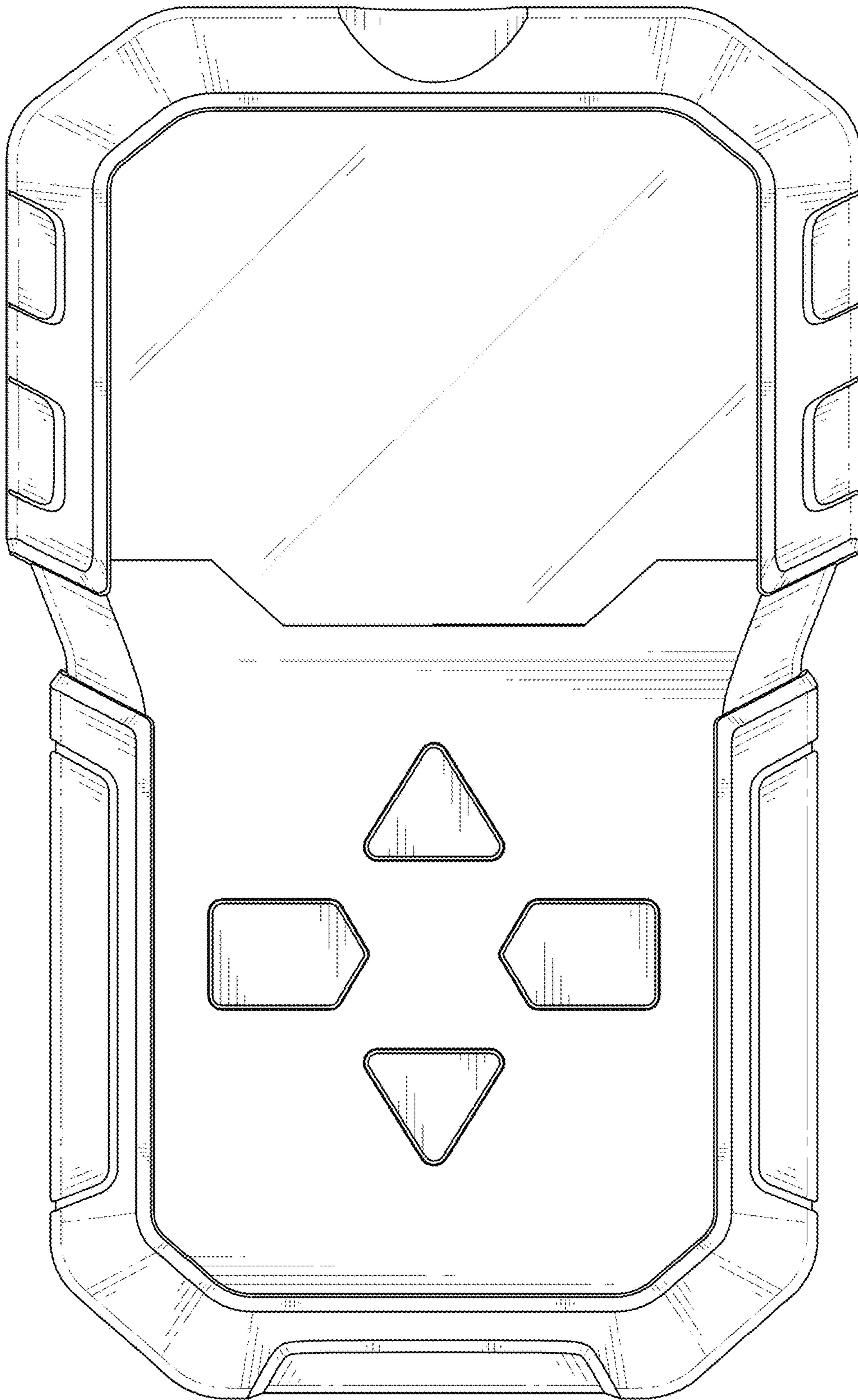


FIG. 1

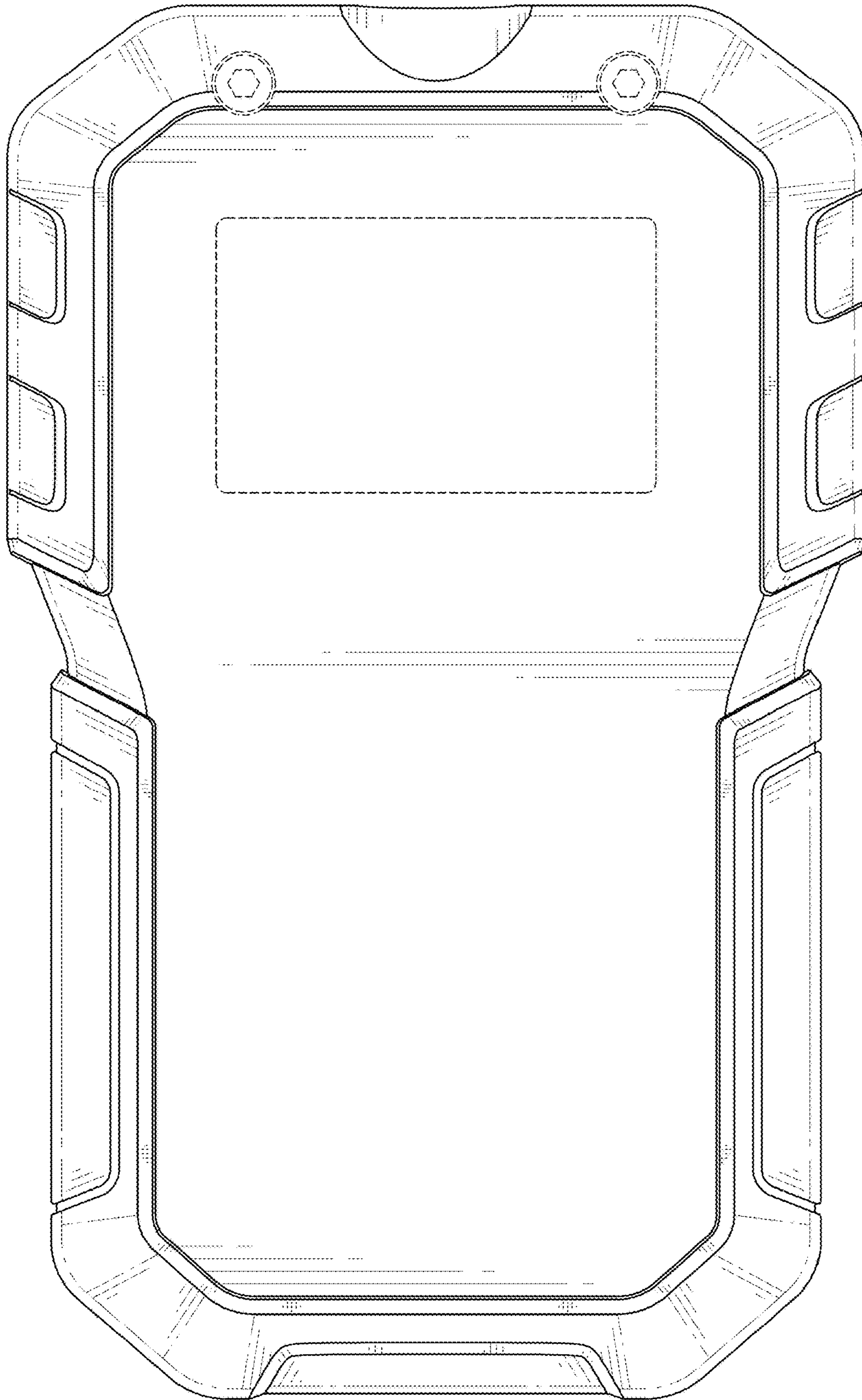


FIG. 2



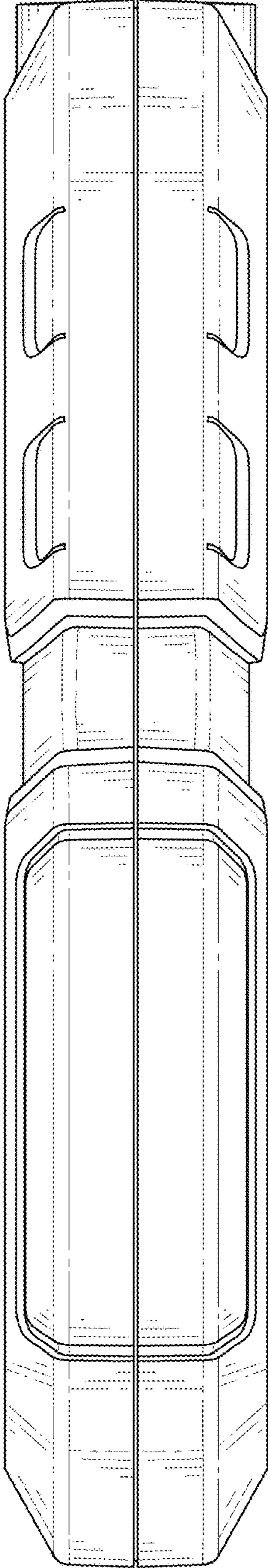


FIG. 3

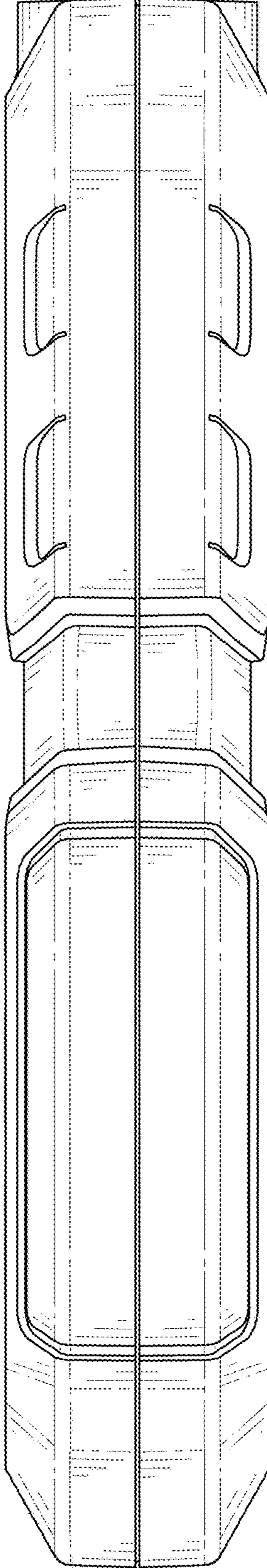


FIG. 4

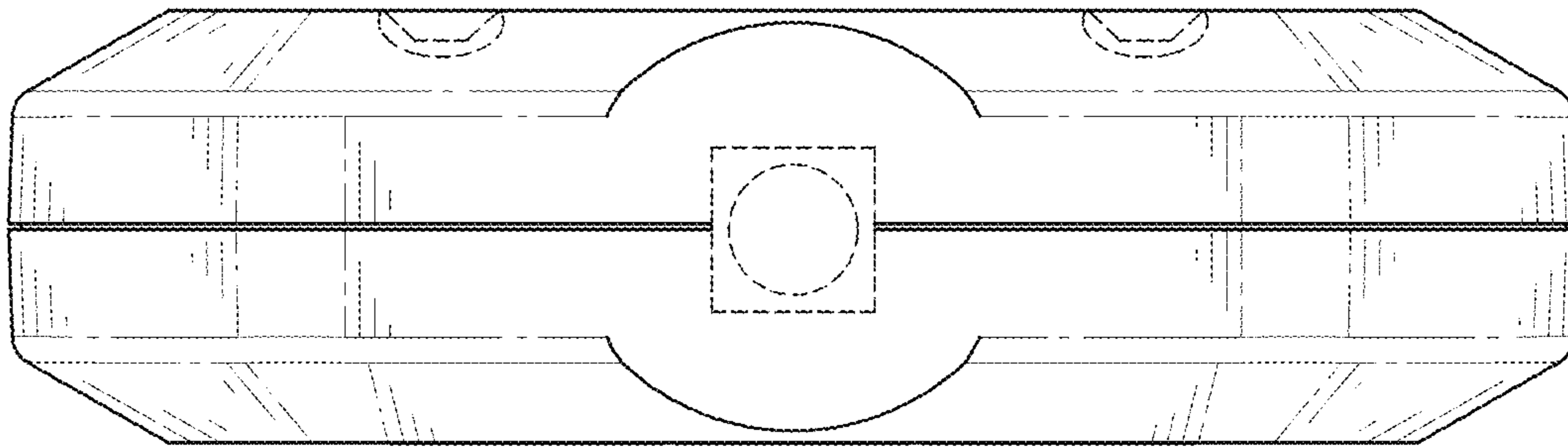


FIG. 5

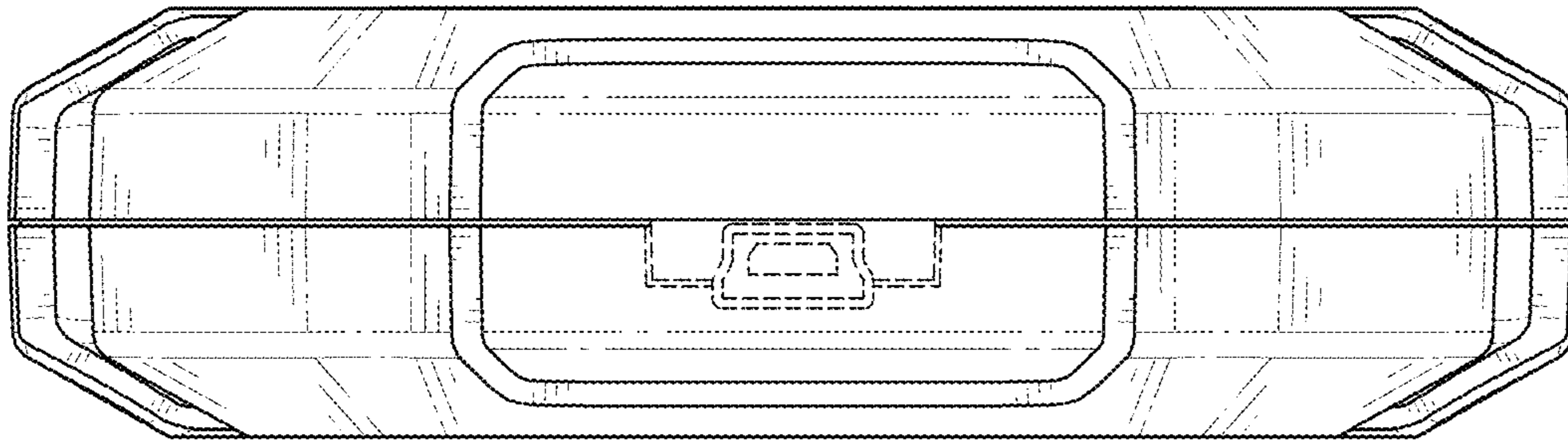


FIG. 6

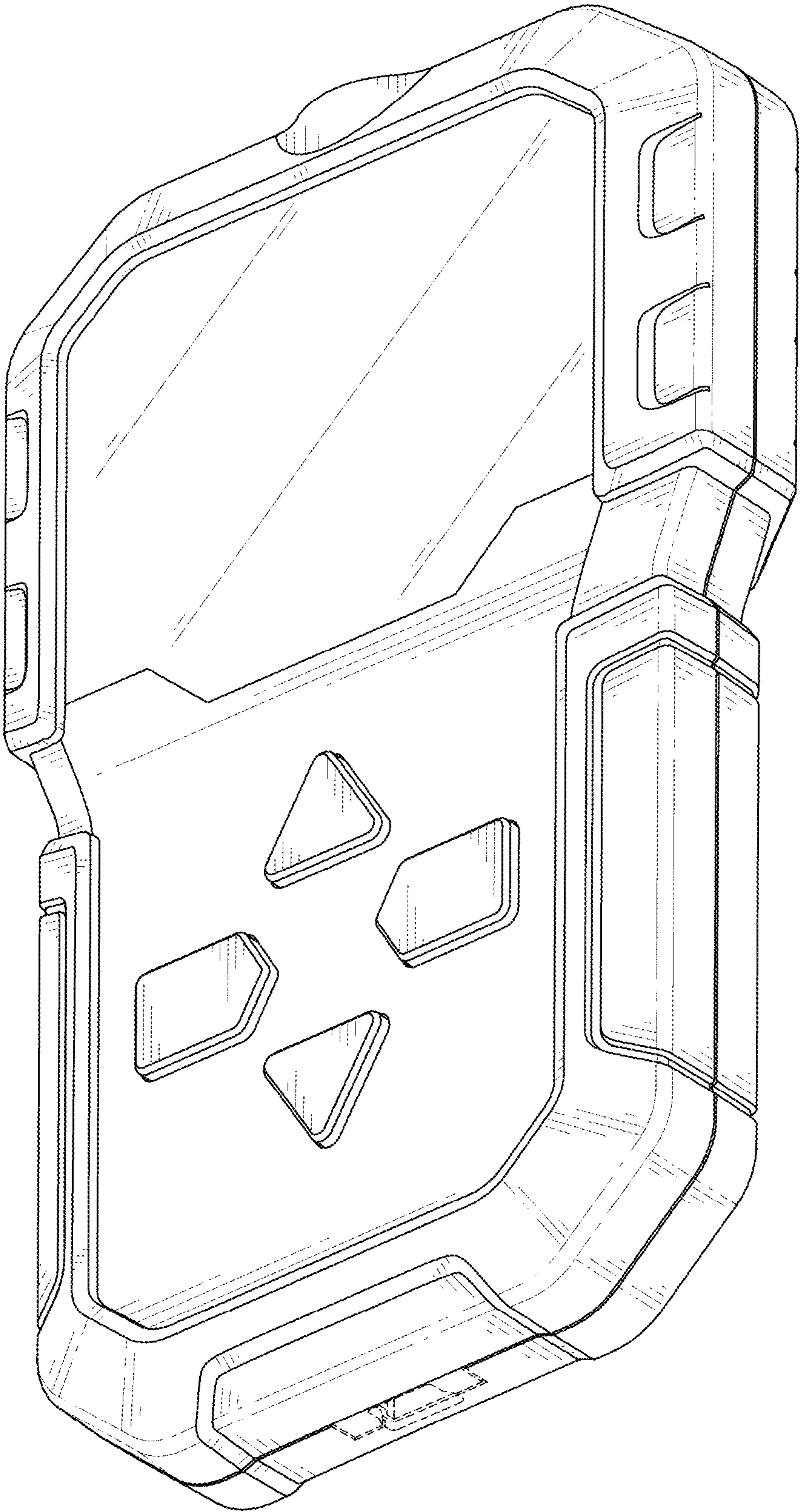


FIG. 7