



US00D839111S

(12) **United States Design Patent**
Krishnan

(10) **Patent No.:** **US D839,111 S**

(45) **Date of Patent:** **** Jan. 29, 2019**

(54) **SENSOR**

D701,691 S * 4/2014 Krishnan D10/103
D787,074 S * 5/2017 Fang D24/186
9,872,525 B2 * 1/2018 Lee A41D 1/002

(71) Applicant: **Conopco, Inc.**, Englewood Cliffs, NJ
(US)

(72) Inventor: **Srinivasan Krishnan**, New Canaan, CT
(US)

(73) Assignee: **Conopco, Inc.**, Englewood Cliffs, NJ
(US)

(**) Term: **15 Years**

(21) Appl. No.: **29/576,662**

(22) Filed: **Sep. 6, 2016**

(51) **LOC (11) Cl.** **10-04**

(52) **U.S. Cl.**
USPC **D10/78; D10/81; D10/96; D24/133;**
D24/186; D24/188

(58) **Field of Classification Search**
USPC **D10/56, 78, 81, 96; D24/133, 140, 186,**
D24/188

CPC **A61B 5/0075; A61B 5/01; A61B 5/015;**
A61B 5/44; A61B 5/441; A61B 5/442;
A61B 5/443; A61B 2560/04; A61B
2560/0406; A61B 2560/0425; A61B
2560/0462; A61B 2560/0468; A61B
2562/00; A61B 2562/029

See application file for complete search history.

(56) **References Cited**

U.S. PATENT DOCUMENTS

D213,153 S * 1/1969 Feather D24/188
D254,504 S * 3/1980 Myers D24/133
D351,560 S * 10/1994 Schneider D10/56
5,961,330 A * 10/1999 Hanson A61C 8/0087
433/173
D571,014 S * 6/2008 Schwanitz D24/186
D580,285 S * 11/2008 Hendrickson D10/78

OTHER PUBLICATIONS

Corneometer CM825, Laboratoire COSderma, PP1Retrieved from internet: <http://cosderma.com/en/prestations/techniques/30-corneometer-cm825>.

Hydro Sensor Skin Diagnostic SD 202, Courage+Khazaka Electronic CK, PP1Retrieved from internet: <http://courage-khazaka.com/index.php/en/products/cosmetic-consulting-at-the-point-of-sale/188-hydrosensor>.

Moist Sense II Hydrometer, Moritex, PP1-2Retrieved from internet: <https://www.naturalhealthyconcepts.com/moist-sense-II-hydrometer.html>.

Visioscope Palm VP 25, Courage+Khazaka electronic CK, PP1-2Retrieved from internet: <http://courage-khazaka.com/images/phocadownload/Brochures/BrochurePS100.pdf>.

Dove Beauty Bar.

* cited by examiner

Primary Examiner — Antoine Duval Davis

(74) *Attorney, Agent, or Firm* — Gerard J. McGowan, Jr.

(57) **CLAIM**

The ornamental design for the sensor, as shown and described.

DESCRIPTION

FIG. 1 is a perspective view from above, and the right side of my sensor;

FIG. 2 is a right elevational view thereof;

FIG. 3 is a left elevational view thereof;

FIG. 4 is a front elevational view of my sensor;

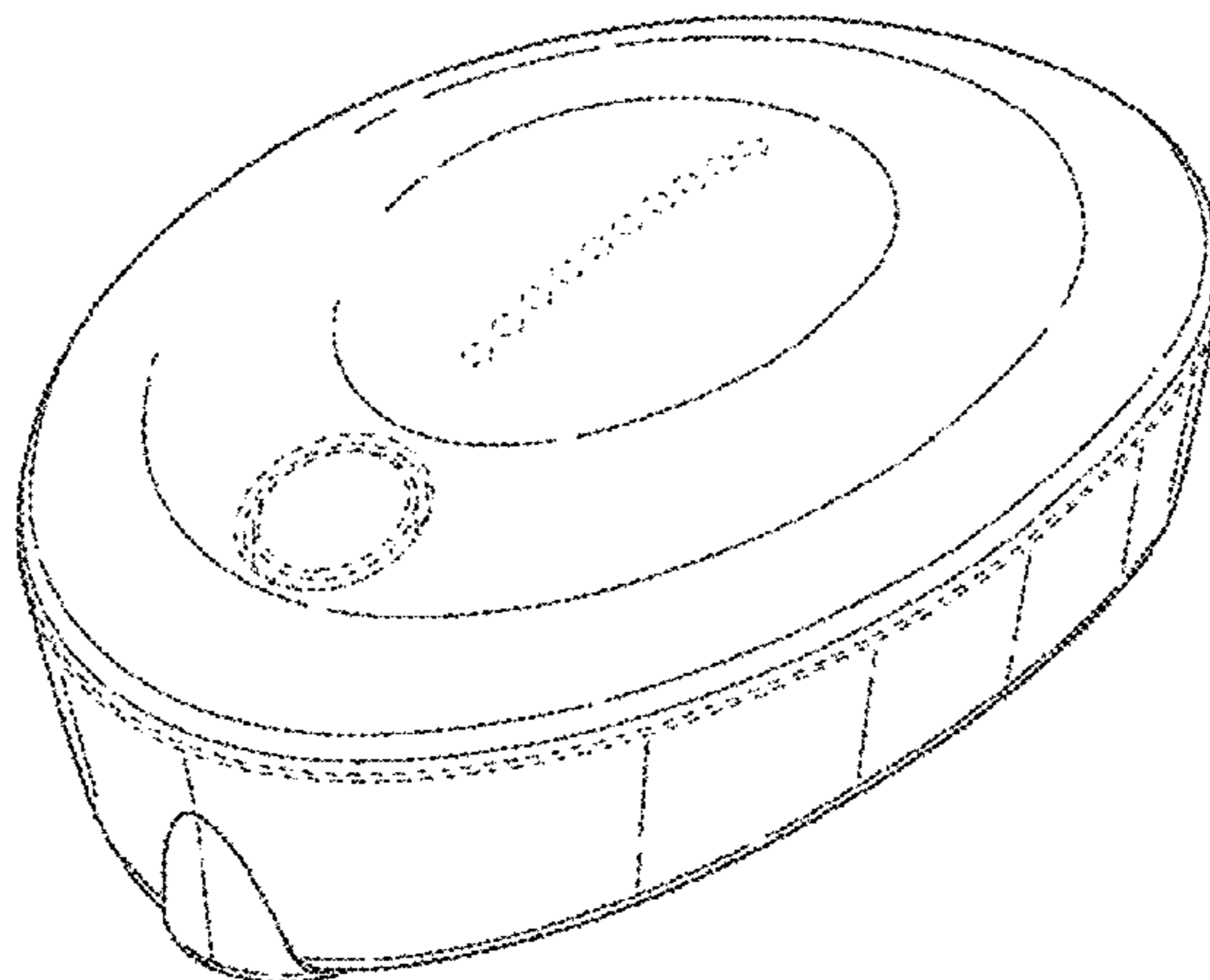
FIG. 5 is a rear elevational view of my sensor;

FIG. 6 is a top plan view of my sensor; and,

FIG. 7 is a bottom plan view of my sensor.

The broken line showing of structural features is included for the purpose of illustrating non-claimed subject matter and forms no part of the claimed design.

1 Claim, 4 Drawing Sheets



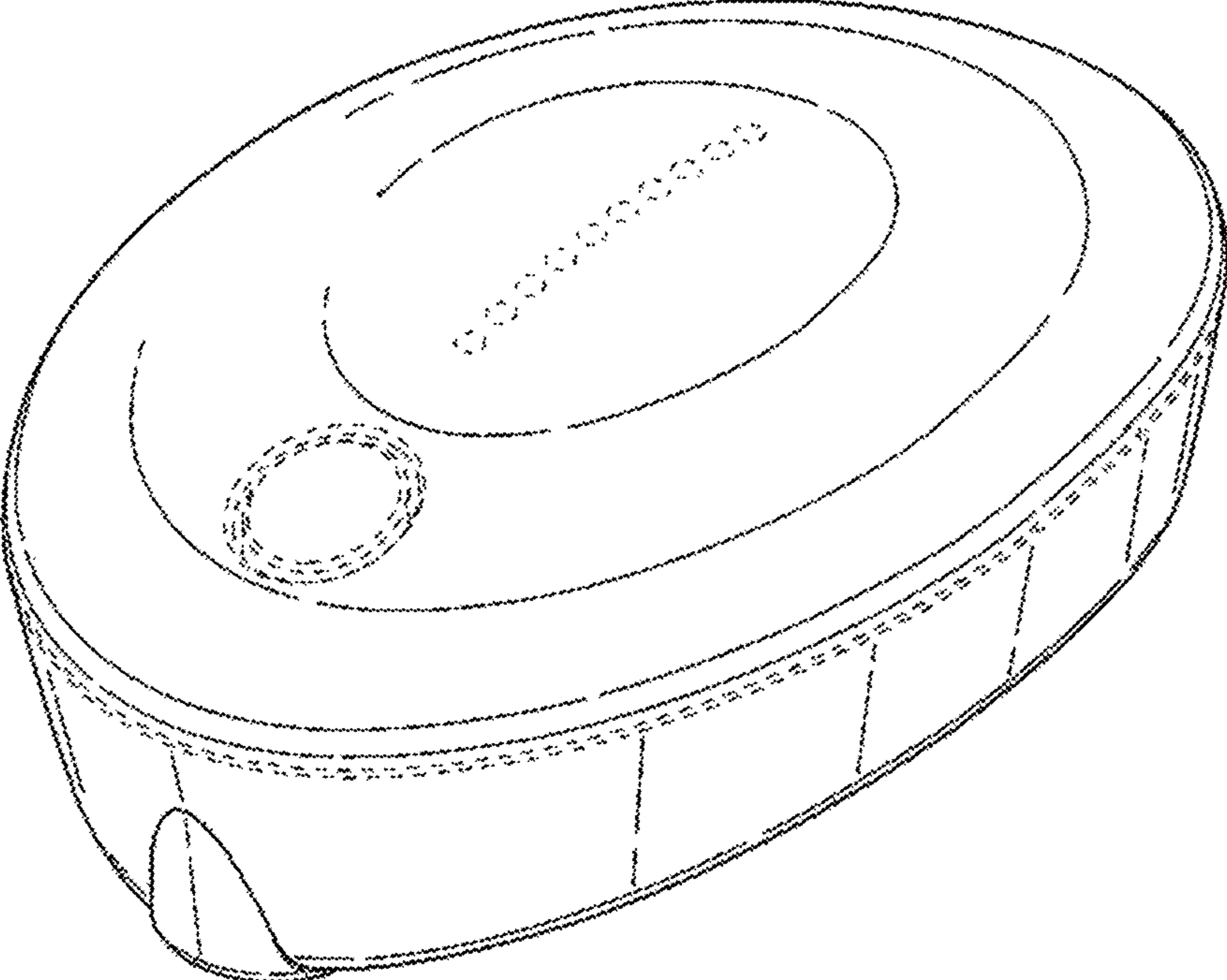


Fig. 1

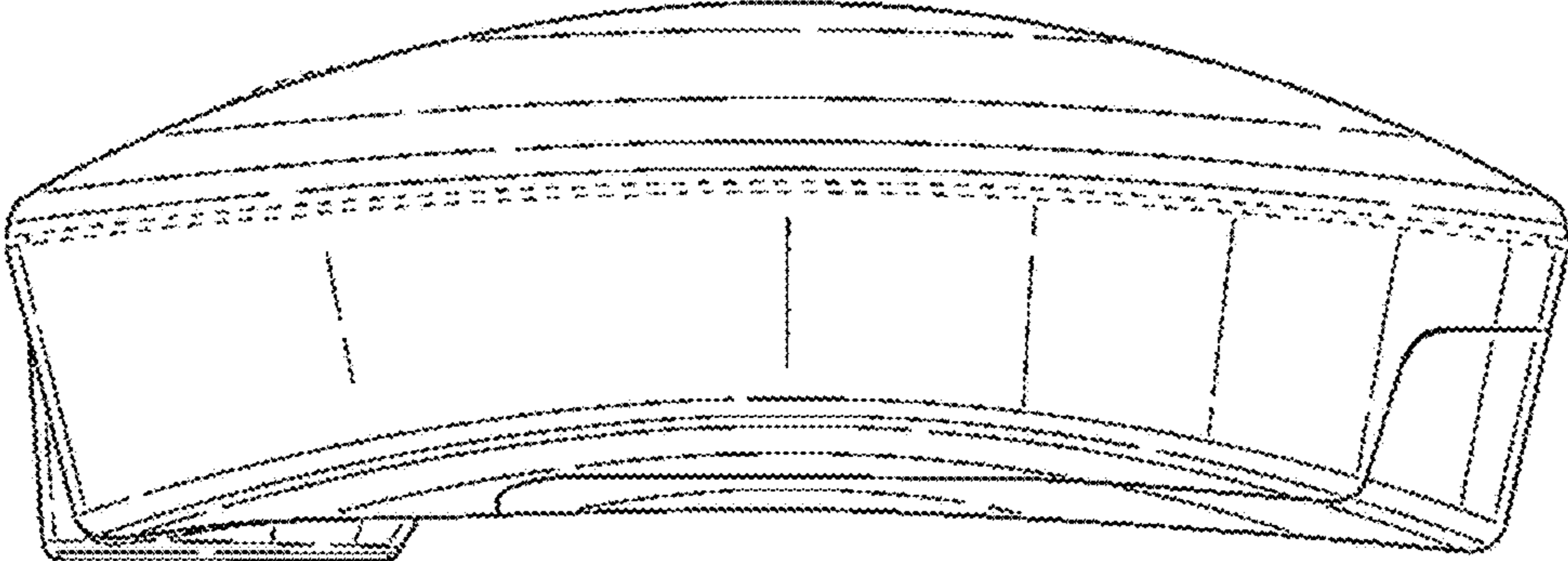


Fig. 2

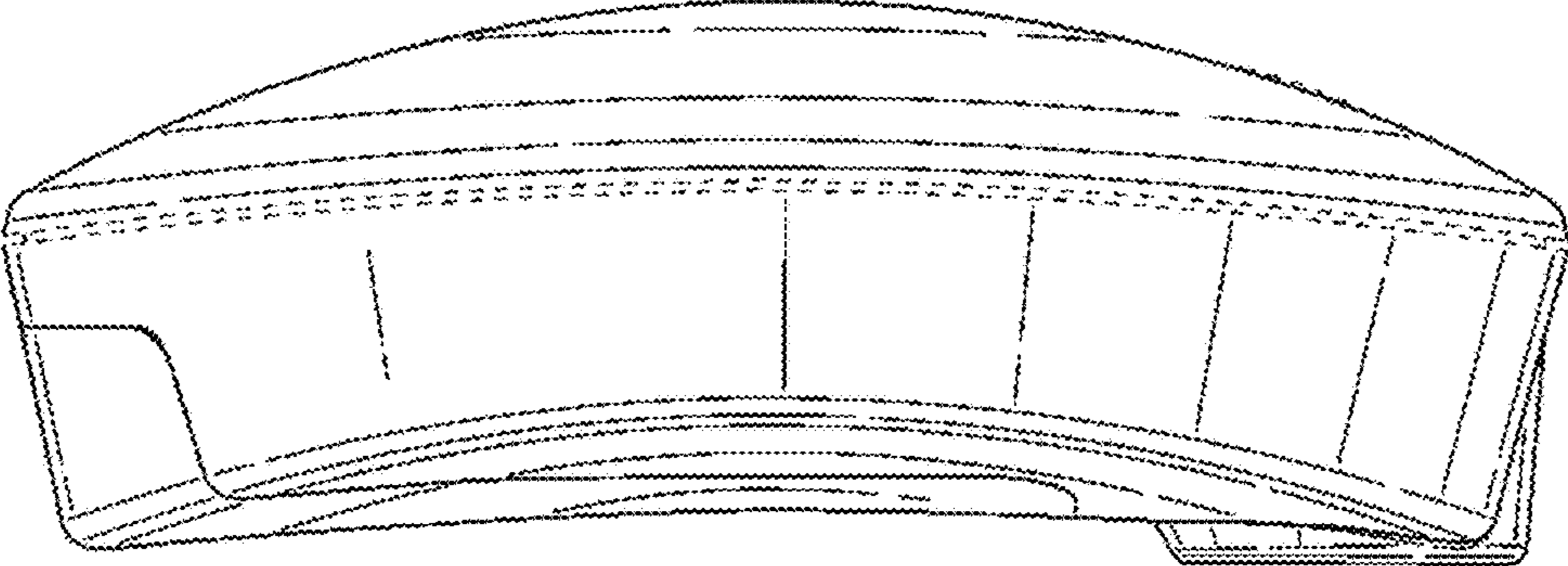


Fig. 3

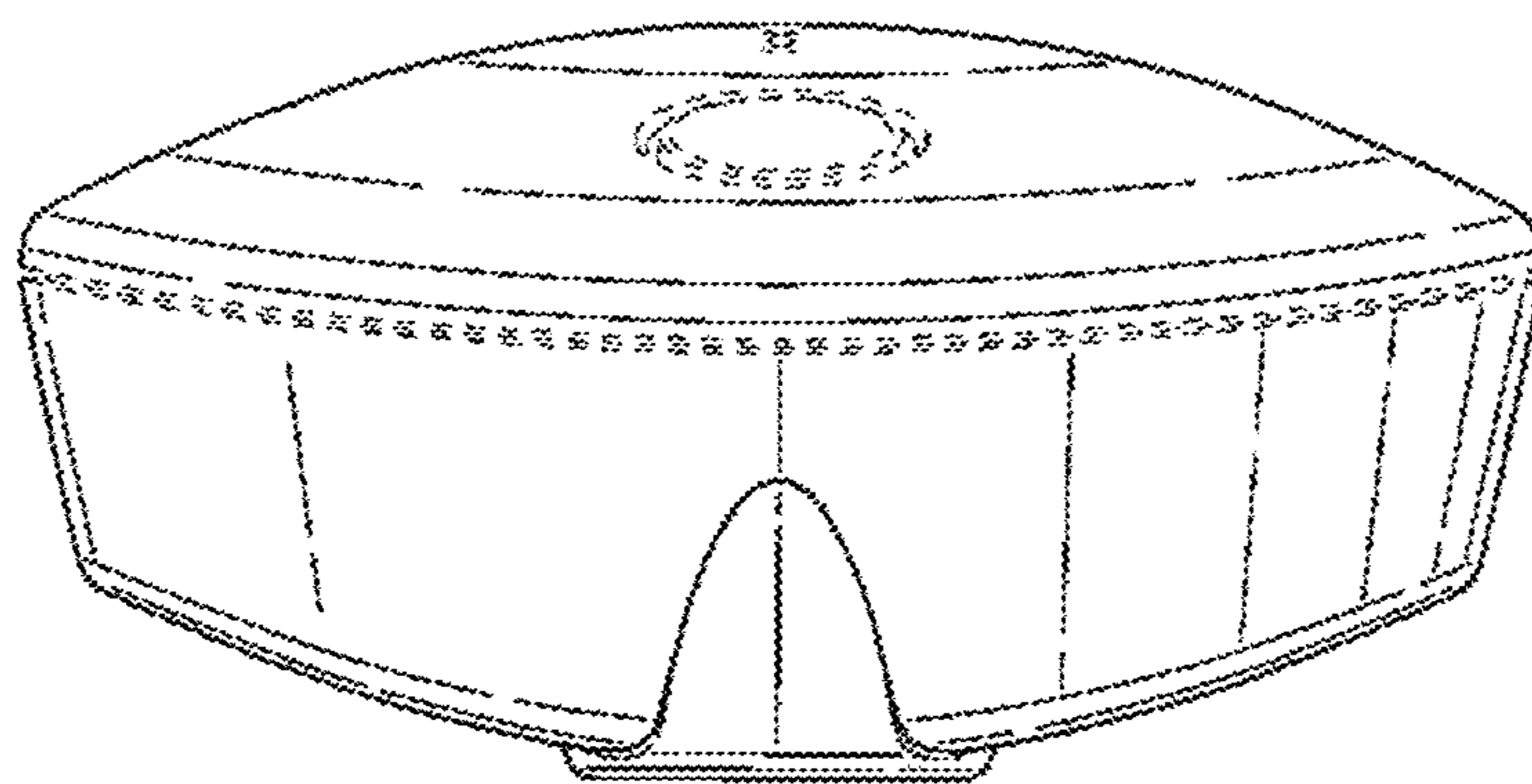


Fig. 4

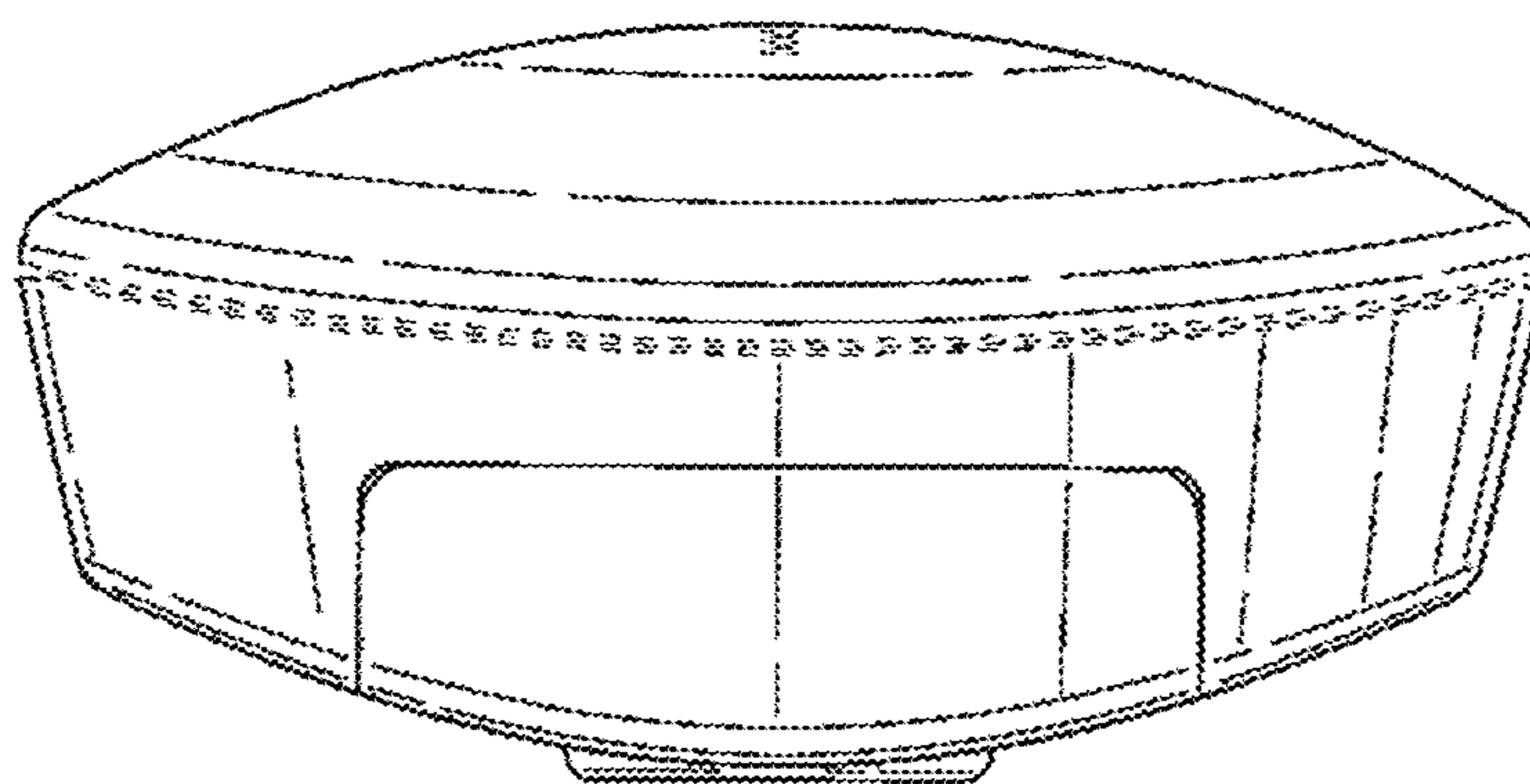


Fig. 5

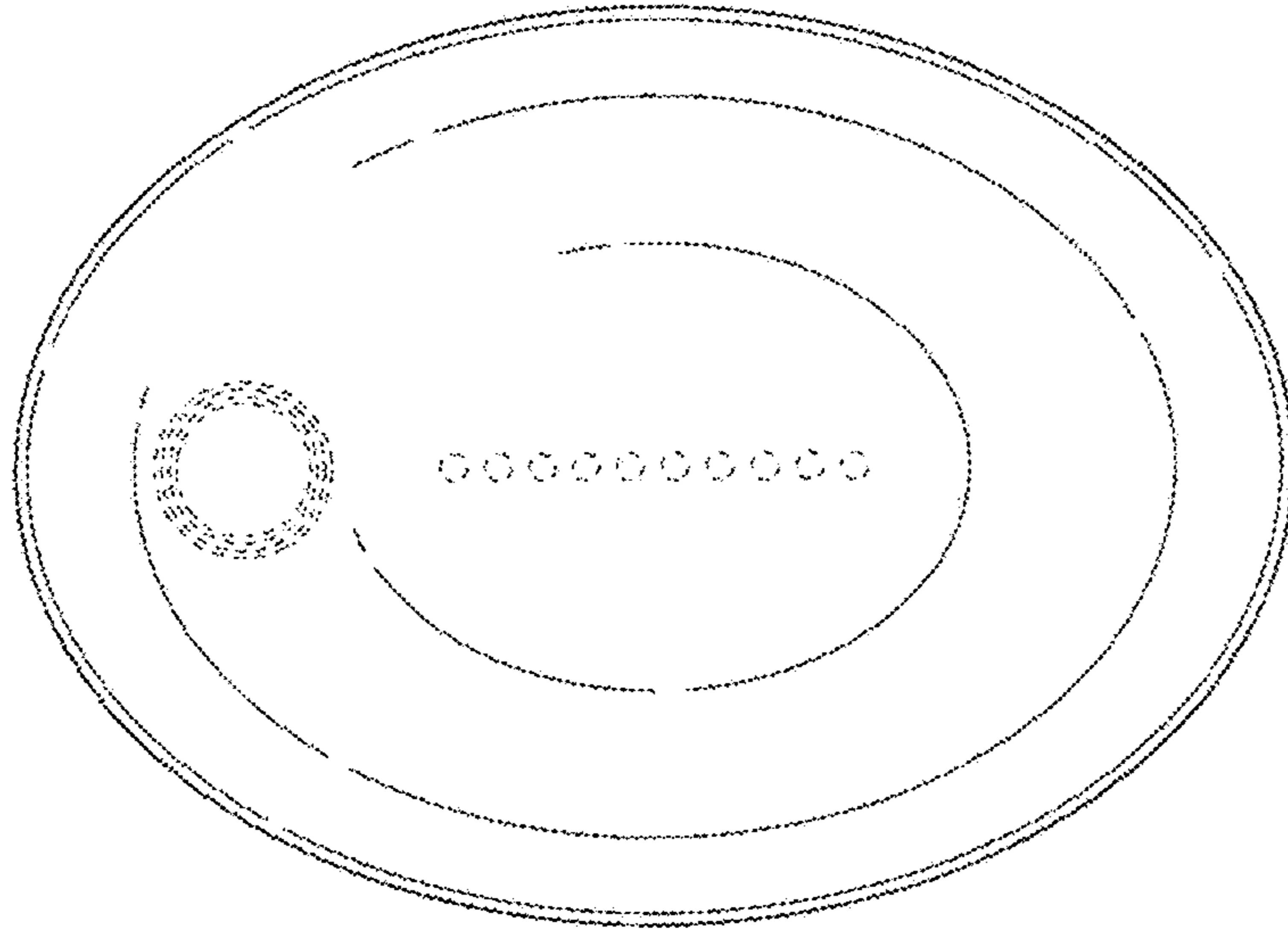


Fig. 6

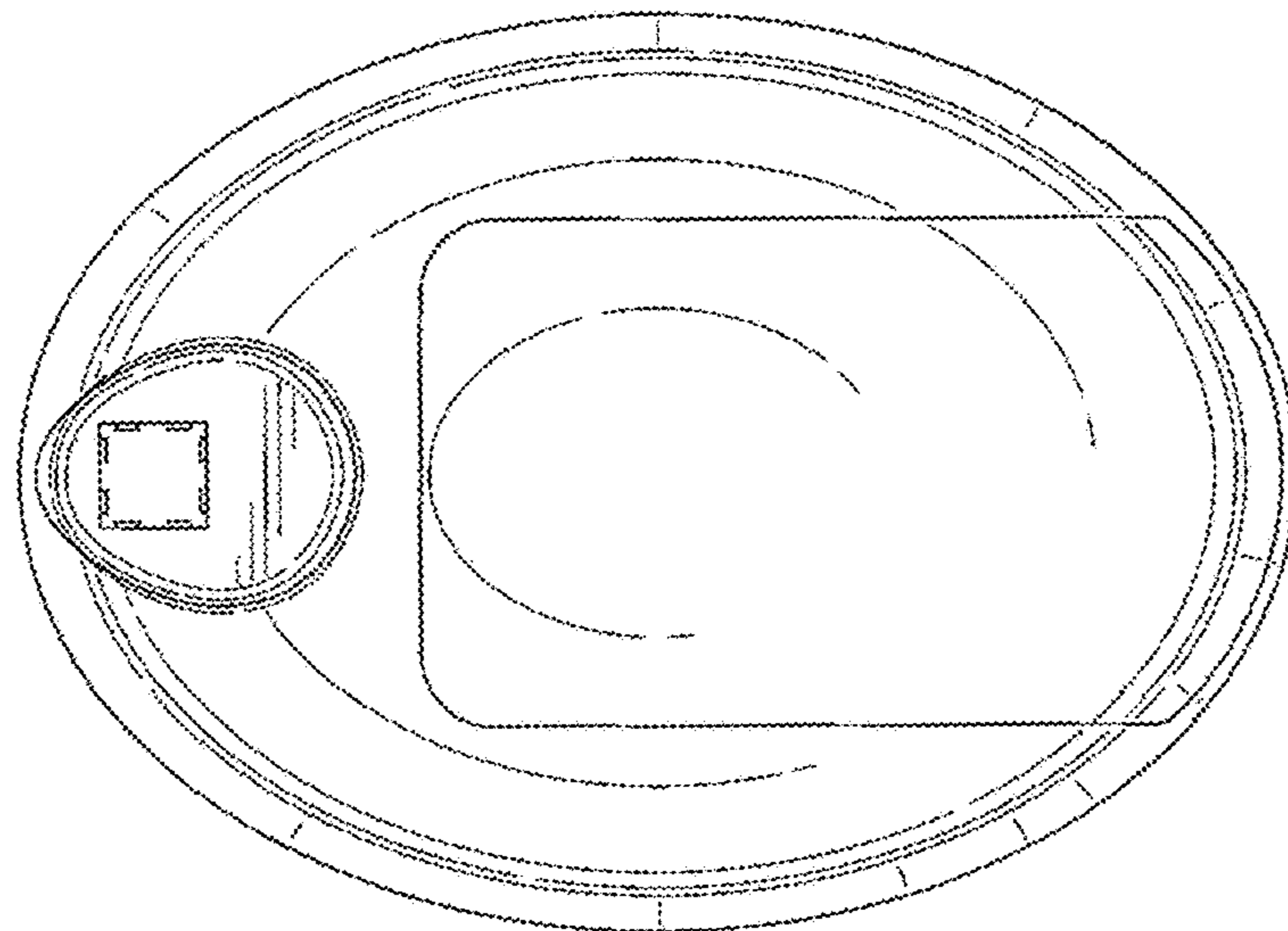


Fig. 7