



US00D839109S

(12) **United States Design Patent**
Janse

(10) **Patent No.:** **US D839,109 S**

(45) **Date of Patent:** **** Jan. 29, 2019**

(54) **HOUSING FOR A SENSOR ARRANGEMENT**

(71) Applicant: **ÅLÖ AB**, Umeå (SE)

(72) Inventor: **Joakim Janse**, Umeå (SE)

(73) Assignee: **ÅLÖ AB**, Umeå (SE)

(**) Term: **15 Years**

(21) Appl. No.: **29/599,651**

(22) Filed: **Apr. 5, 2017**

(30) **Foreign Application Priority Data**

Oct. 6, 2016 (EM) 003407766

(51) **LOC (11) Cl.** **10-04**

(52) **U.S. Cl.**
USPC **D10/70**

(58) **Field of Classification Search**

USPC D10/46, 65, 70

CPC G08B 21/0288; G08B 21/0291; G08B

21/0202; G08B 21/0438; G08B 21/0446;

G08B 21/0453; G08B 21/0461; G08B

21/0469; G08B 21/0484; G08B 21/0492;

G08B 21/08; G08B 21/10; G08B 21/12;

G08B 21/14; G08B 21/16; G08B 21/18

See application file for complete search history.

(56) **References Cited**

U.S. PATENT DOCUMENTS

D817,792 S * 5/2018 Geskin D10/70
2005/0016146 A1 1/2005 Shidler et al.

OTHER PUBLICATIONS

Forwarder Cranes With World Leading Technology; Cranab FC—
for Modern Forestry; CIS Cranab Intelligent System; Issue 4, Apr.
2015; Downloaded From http://www.cranab.se/site_specific/uploaded_files/media/2015/05/cran_fc_2015-eng-lr.pdf on Jun. 27, 2017.

* cited by examiner

Primary Examiner — Antoine Duval Davis

(74) *Attorney, Agent, or Firm* — Knobbe, Martens, Olson
& Bear, LLP

(57) **CLAIM**

The ornamental design for a housing for a sensor arrange-
ment, as shown.

DESCRIPTION

FIG. 1 is a top-front-right perspective view of a housing for
a sensor arrangement showing my new design.

FIG. 2 is a top plan view thereof.

FIG. 3 is a right side elevational view thereof.

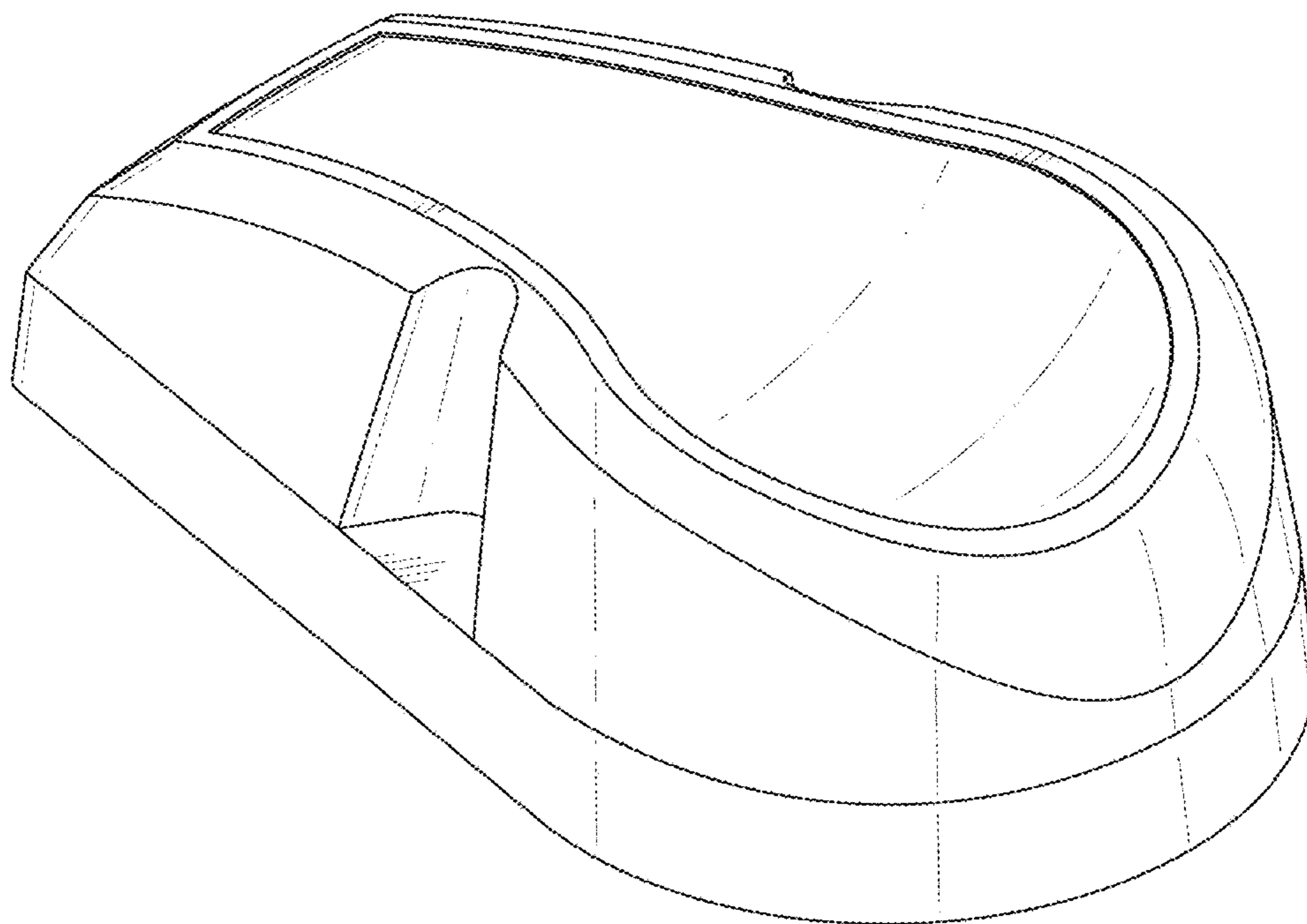
FIG. 4 is a left side elevational view thereof.

FIG. 5 is a rear elevational view thereof.

FIG. 6 is a front elevational view thereof; and,

FIG. 7 is a top-rear-left perspective view thereof.

1 Claim, 7 Drawing Sheets



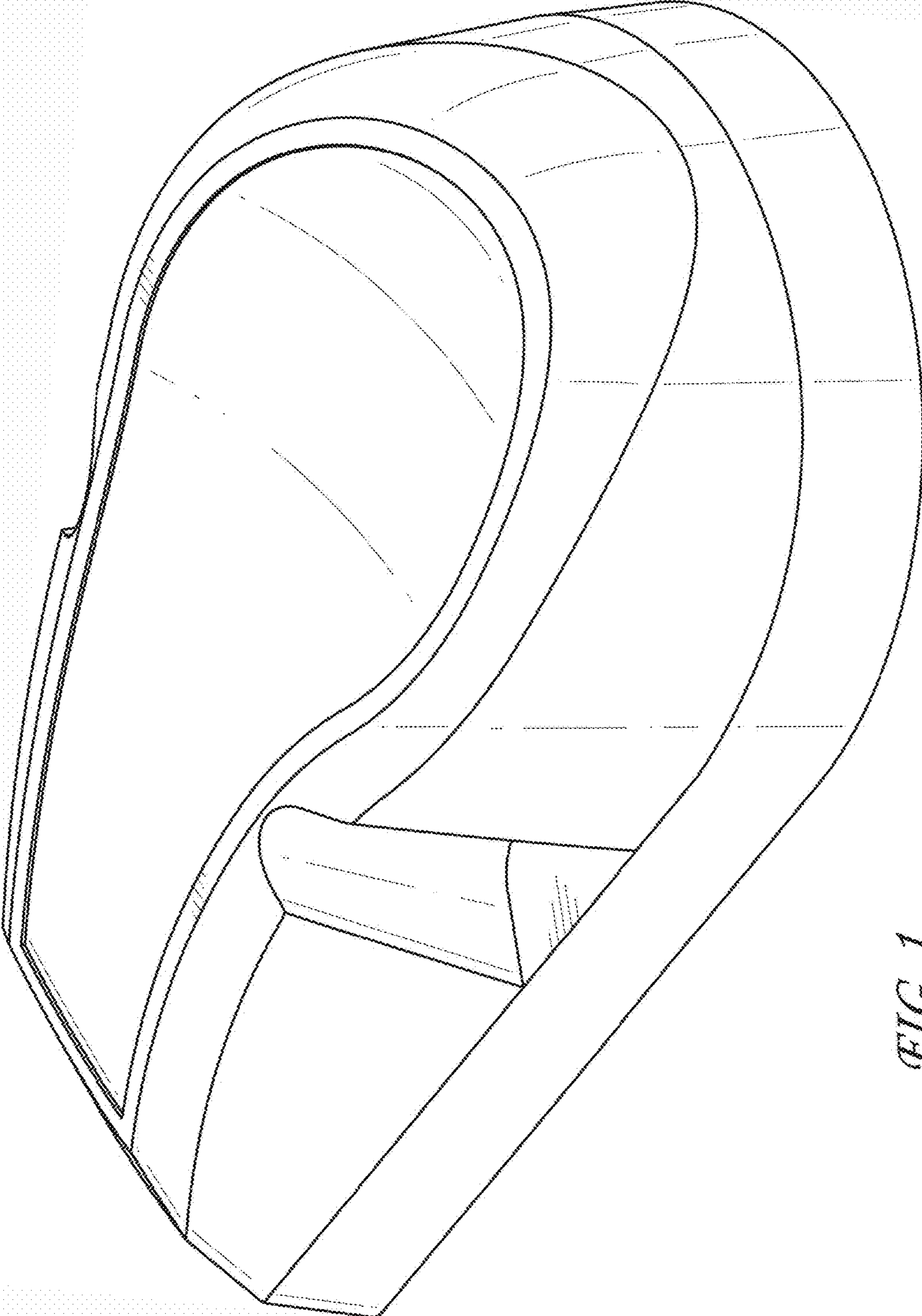


FIG. 1

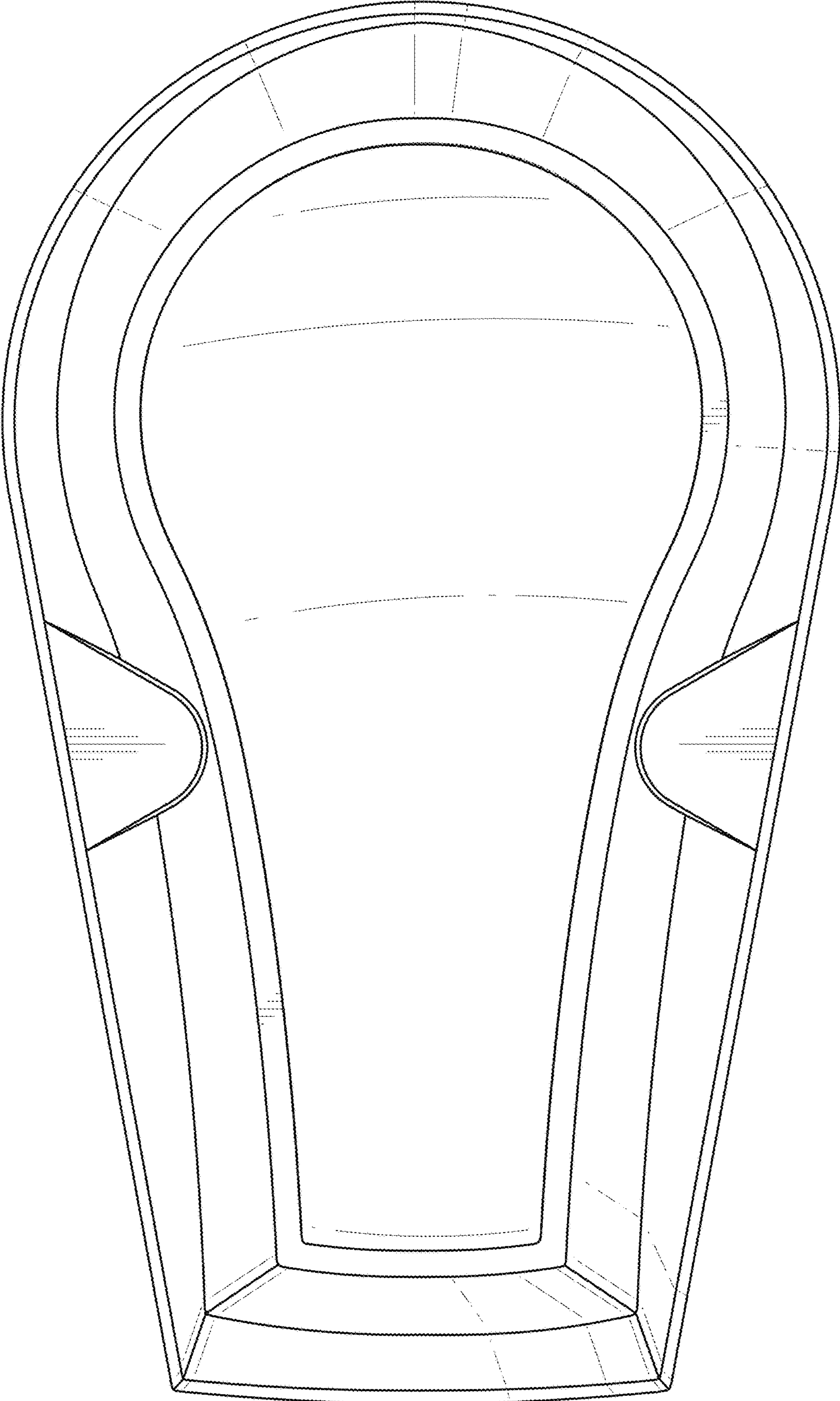


FIG. 2

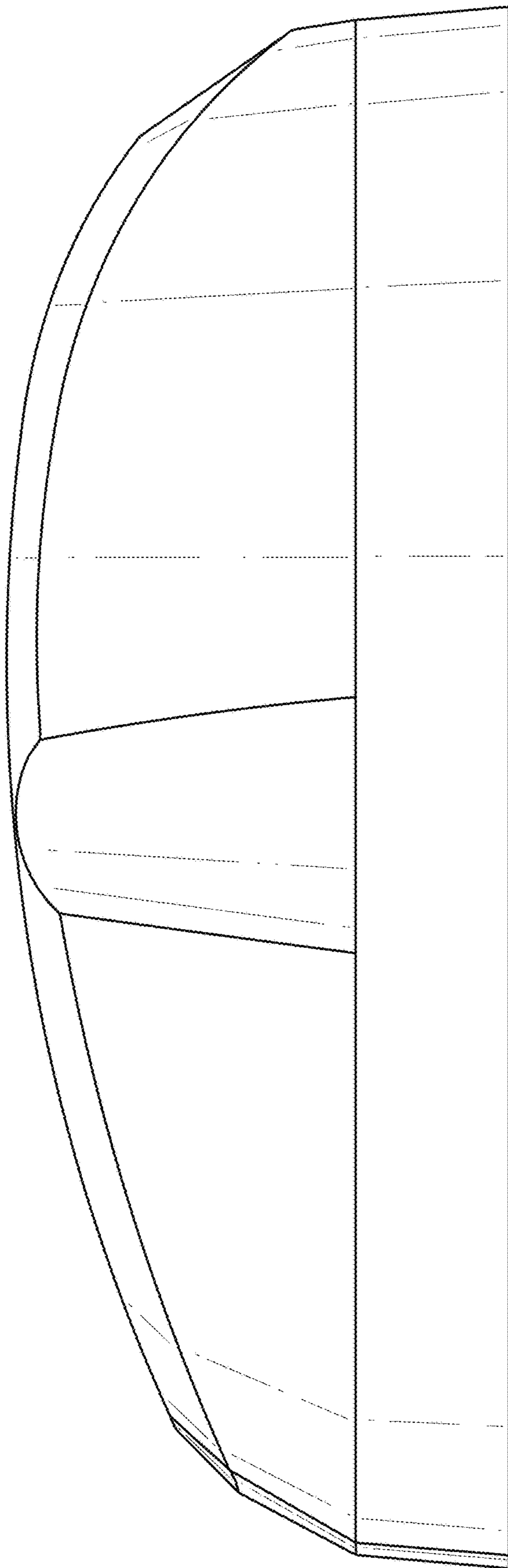


FIG. 3

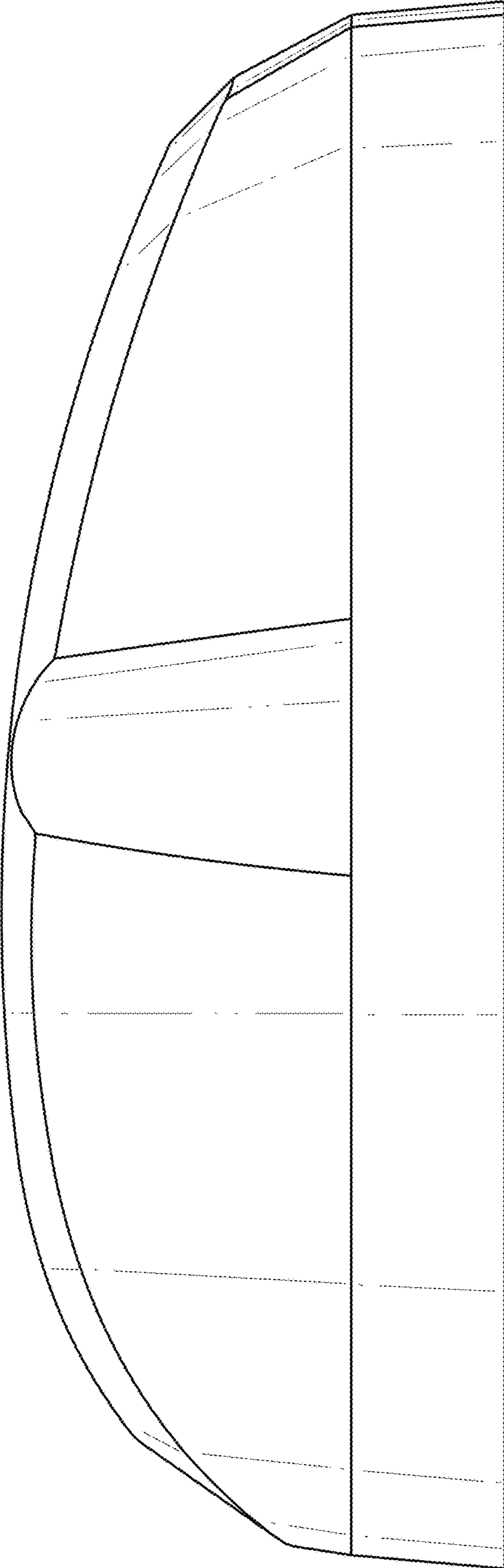


FIG. 4

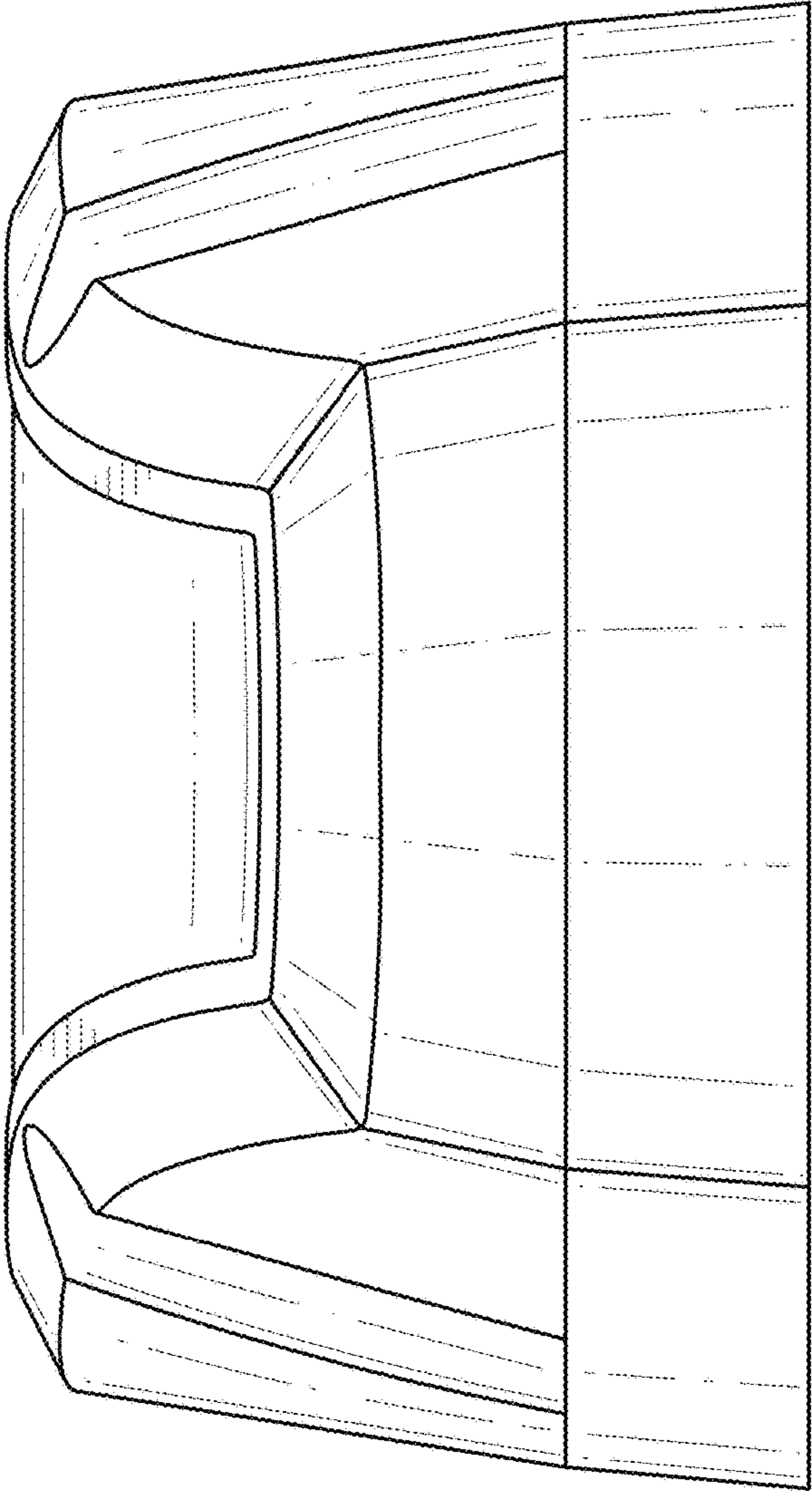


FIG. 5

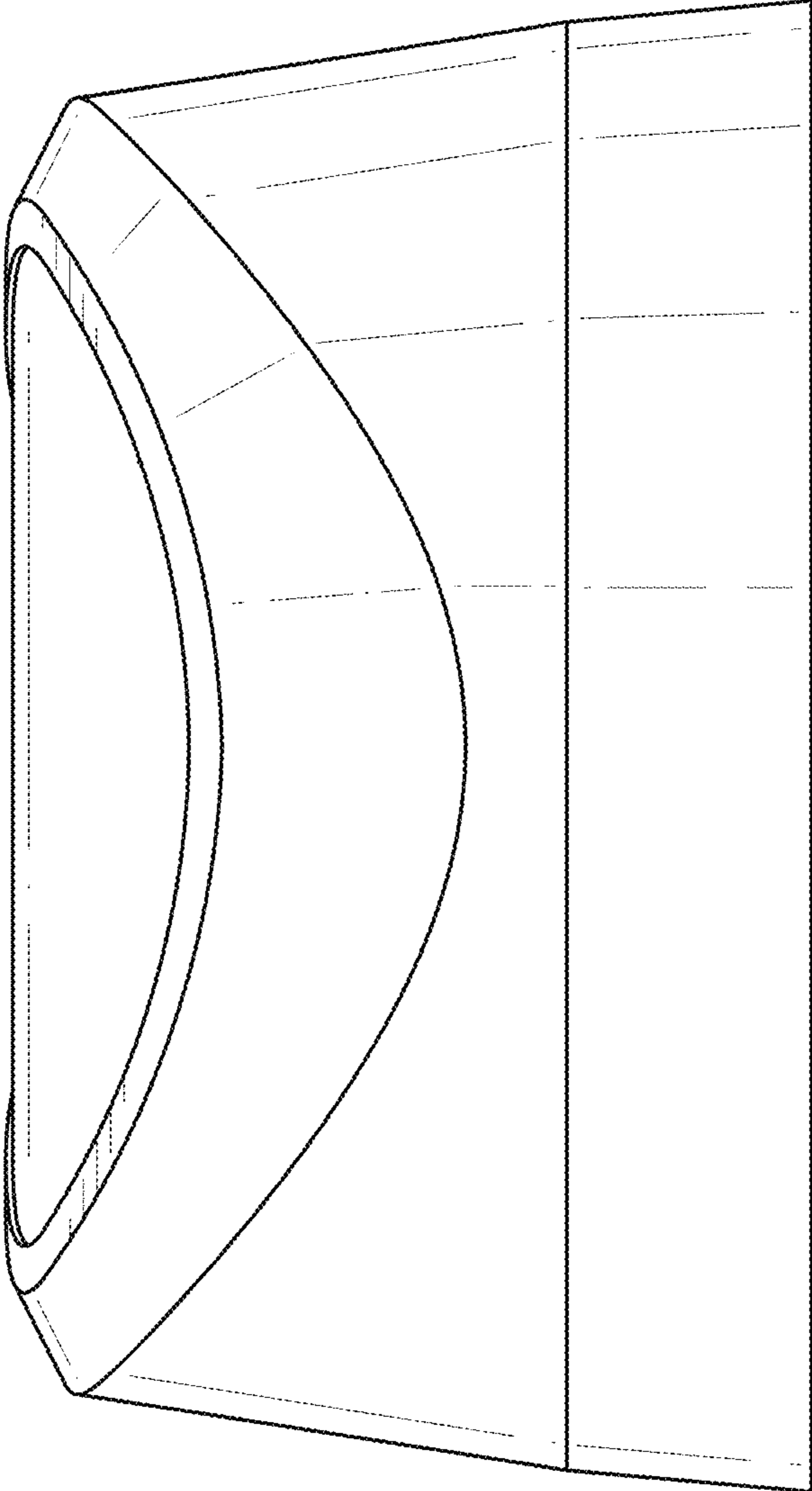


FIG. 6

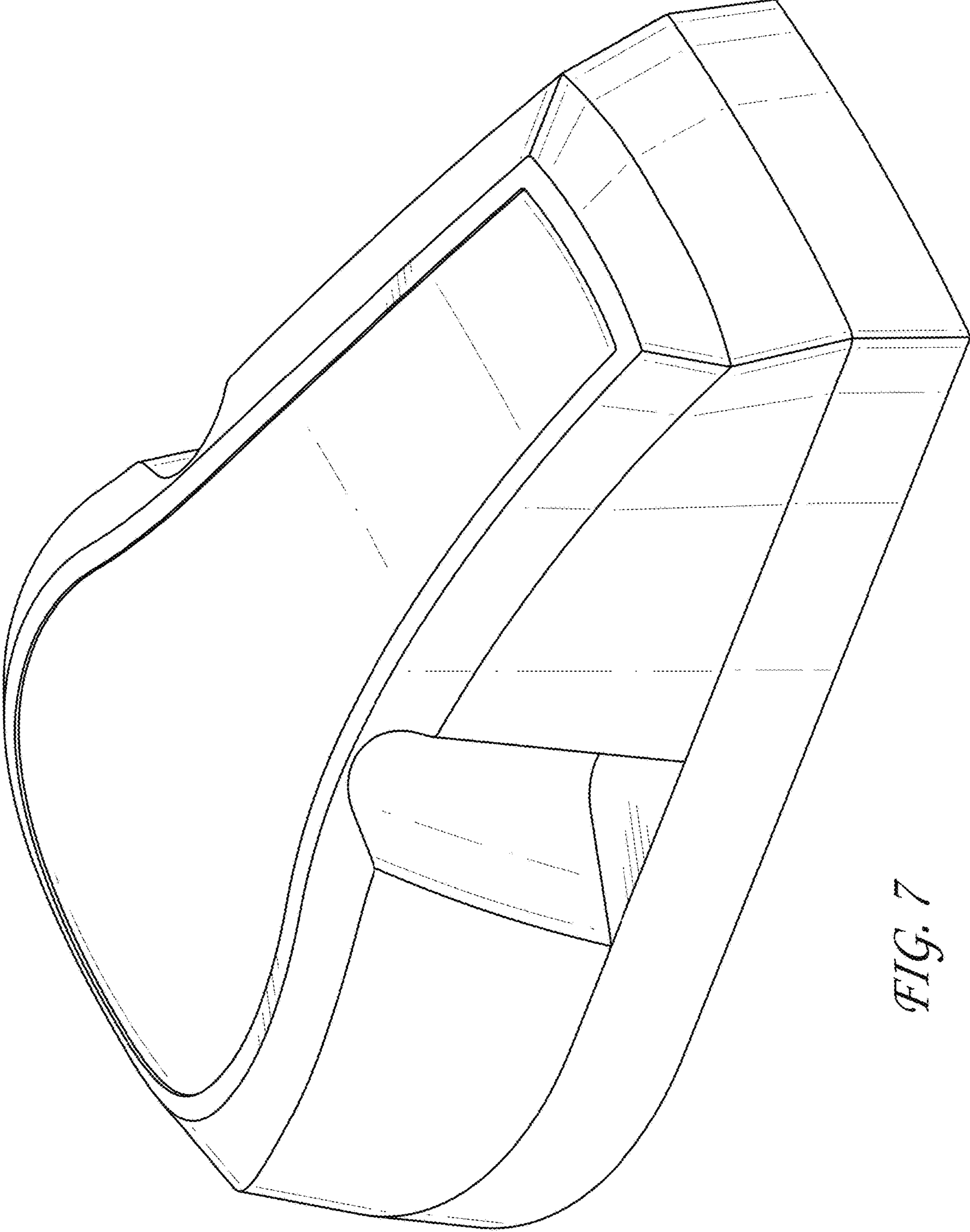


FIG. 7