



US00D839104S

(12) **United States Design Patent**  
**Duval**

(10) **Patent No.:** **US D839,104 S**

(45) **Date of Patent:** **\*\* Jan. 29, 2019**

(54) **WATCH**

(71) Applicant: **SEVENFRIDAY AG**, Zurich (CH)

(72) Inventor: **Arnaud Duval**, Bienne (CH)

(\*\*) Term: **15 Years**

(21) Appl. No.: **29/632,817**

(22) Filed: **Jan. 10, 2018**

**Related U.S. Application Data**

(62) Division of application No. 35/501,720, filed on Sep. 3, 2016 (U.S. filing date under 35 U.S.C. 384), and having an international filing date of Sep. 3, 2016, now Pat. No. Des. 820,691.

**Foreign Application Priority Data**

Mar. 4, 2016 (CH) ..... 142197

(51) **LOC (11) Cl.** ..... **10-02**

(52) **U.S. Cl.**  
USPC ..... **D10/38**

(58) **Field of Classification Search**  
USPC ..... D10/30-32, 38-39  
See application file for complete search history.

**References Cited**

**U.S. PATENT DOCUMENTS**

D588,025 S 3/2009 Belamich  
D598,304 S 8/2009 Belamich

D659,042 S 5/2012 Gruosi  
D733,584 S \* 7/2015 Kamilindi ..... D10/39  
D747,979 S 1/2016 Babcock et al.  
D749,433 S 2/2016 Duval  
D761,668 S 7/2016 Duval  
D772,866 S 11/2016 Park et al.  
D773,317 S 12/2016 Duval  
D773,457 S 12/2016 Park  
D782,923 S 4/2017 Belamich  
D801,197 S \* 10/2017 Duval ..... D10/39  
D820,691 S \* 6/2018 Duval ..... D10/38

\* cited by examiner

*Primary Examiner* — George D. Kirschbaum

(74) *Attorney, Agent, or Firm* — Gordon & Jacobson, P.C.

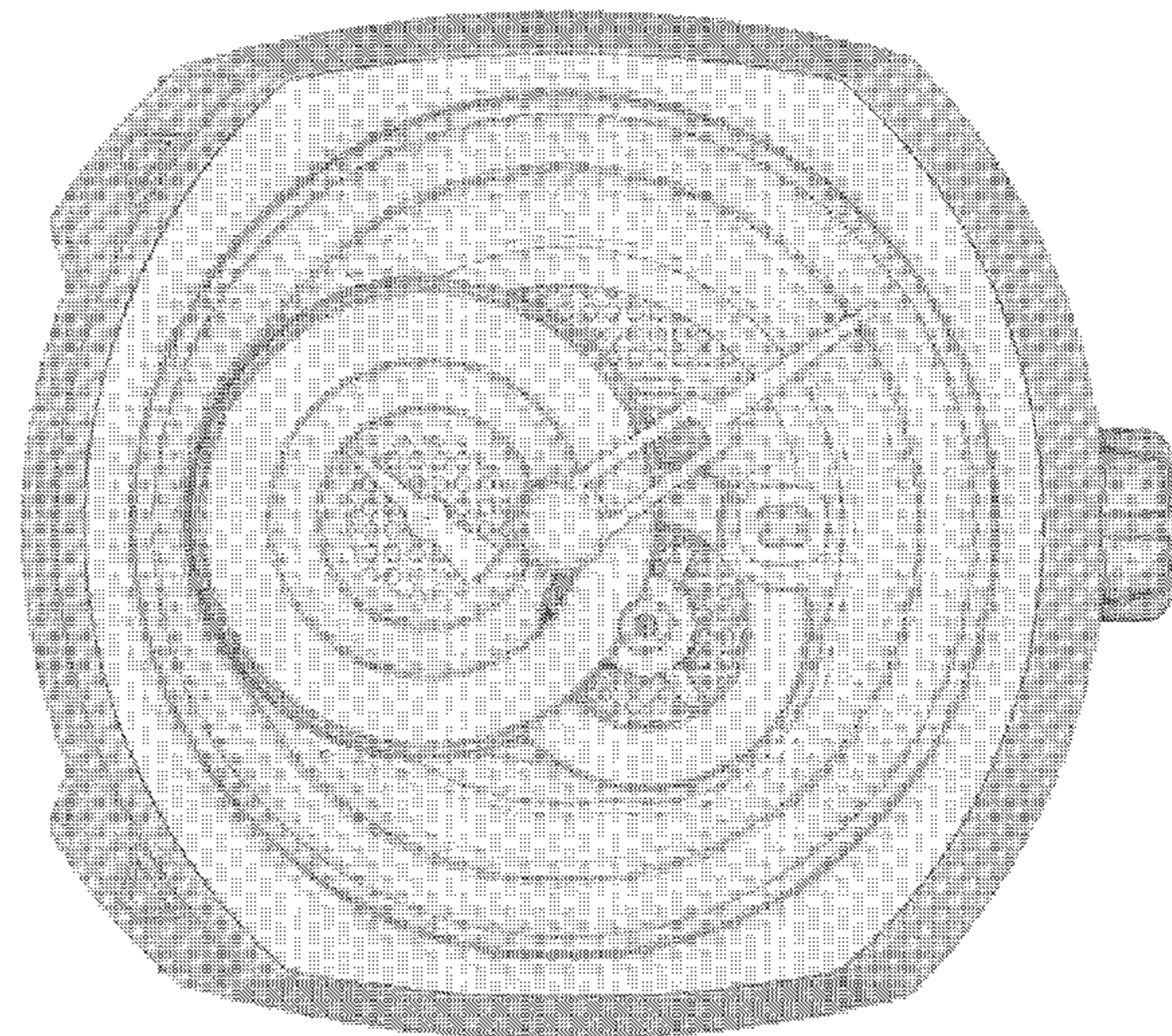
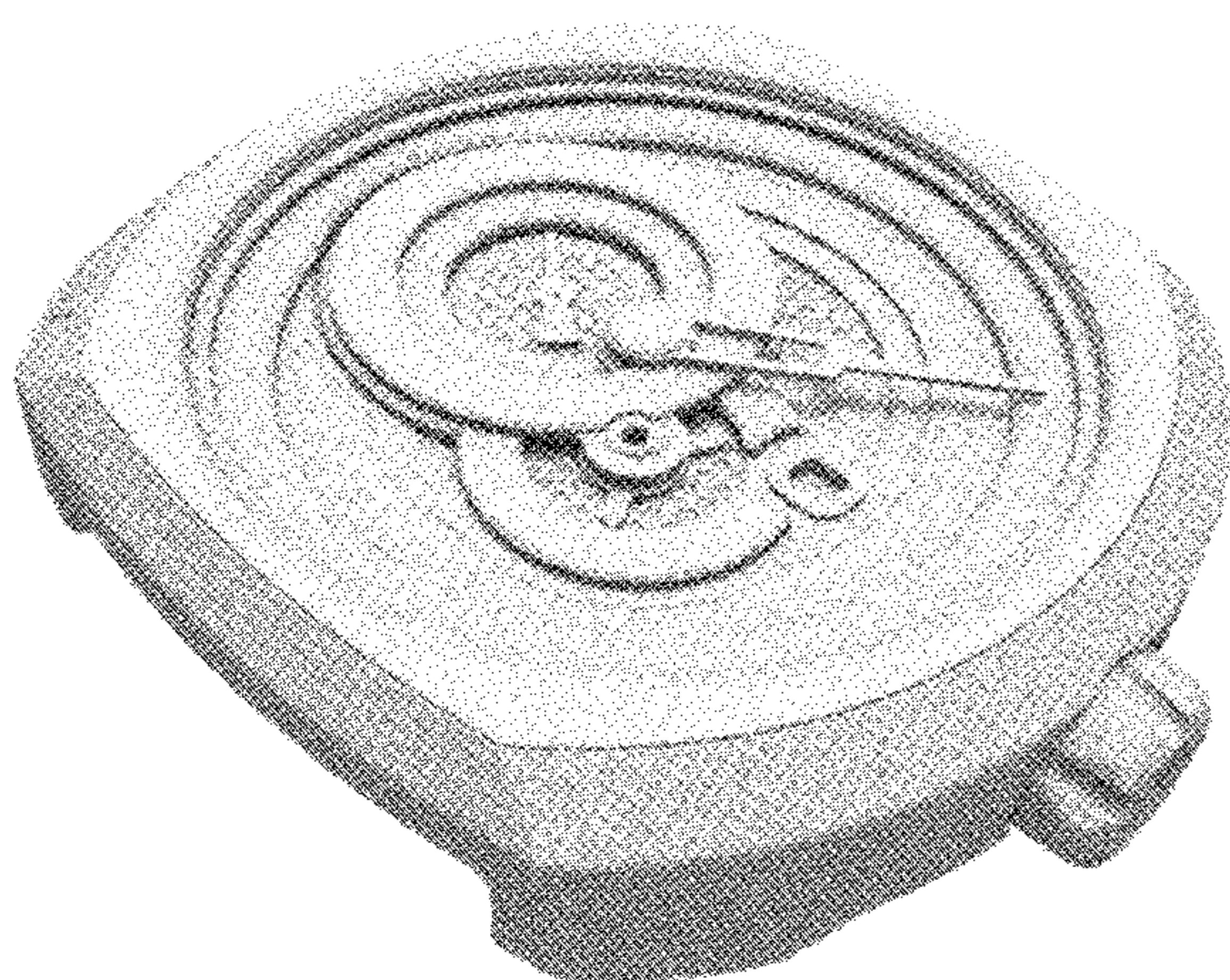
(57) **CLAIM**

The ornamental design for a watch, as shown and described.

**DESCRIPTION**

FIG. 1 is a perspective view of a watch.  
FIG. 2 shows a top side of the watch of FIG. 1.  
FIG. 3 shows a front side of the watch of FIG. 1.  
FIG. 4 shows a back side of the watch of FIG. 1.  
FIG. 5 shows a left side of the watch of FIG. 1.  
FIG. 6 shows a bottom side of the watch of FIG. 1.  
FIG. 7 shows a right side of the watch of FIG. 1; and,  
FIG. 8 shows another perspective view of the watch of FIG. 1.

**1 Claim, 8 Drawing Sheets**





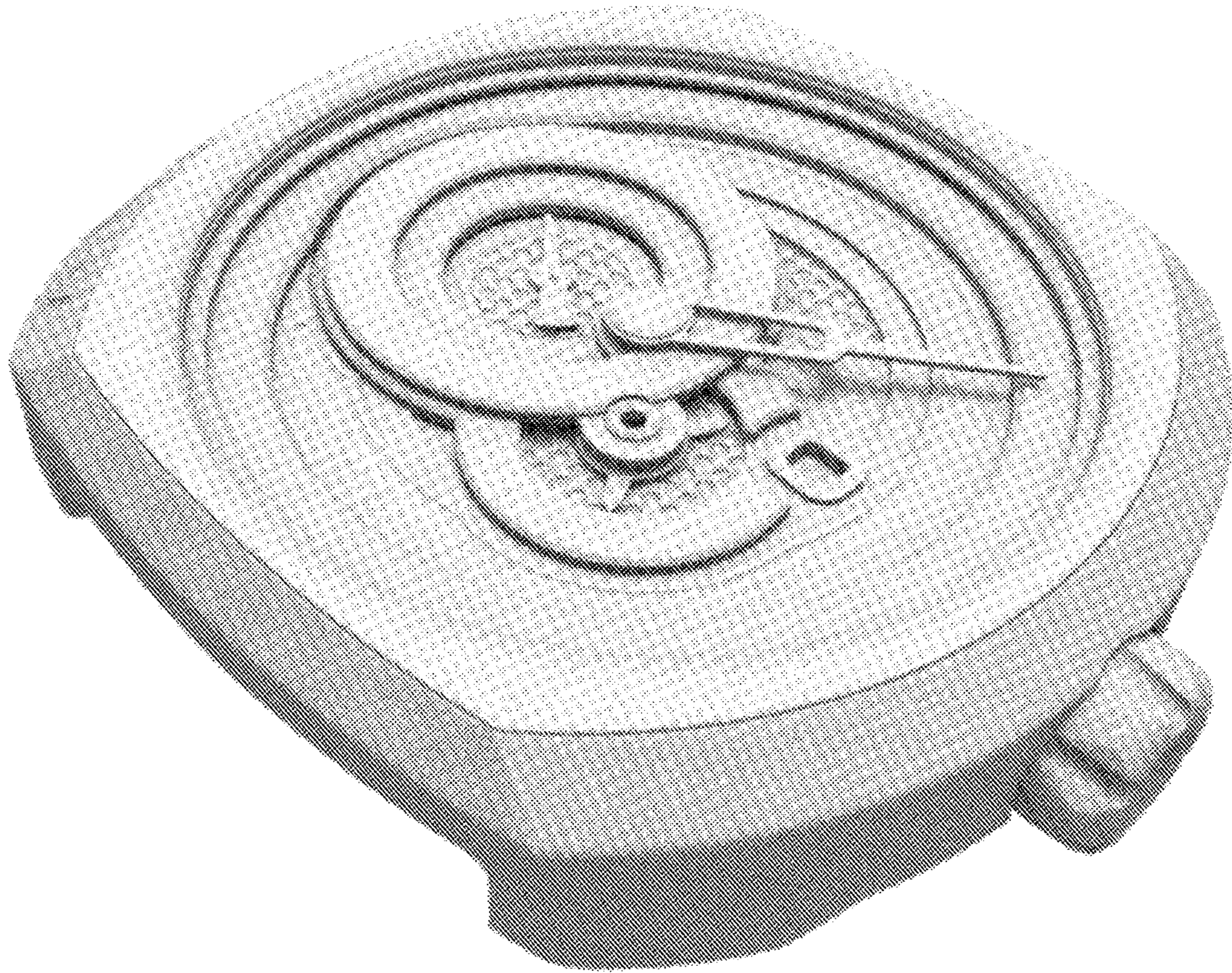


FIG. 1



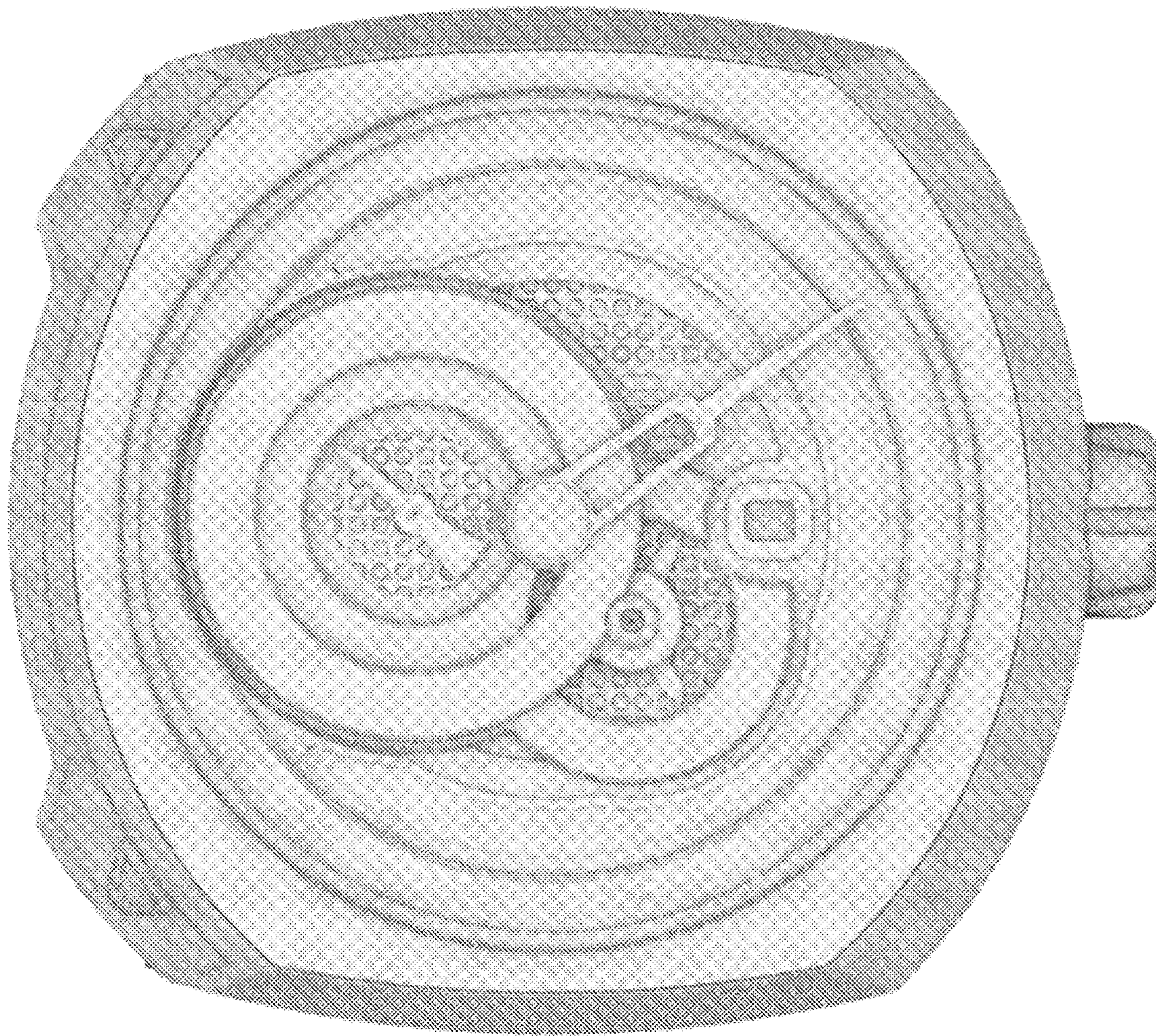


FIG. 2



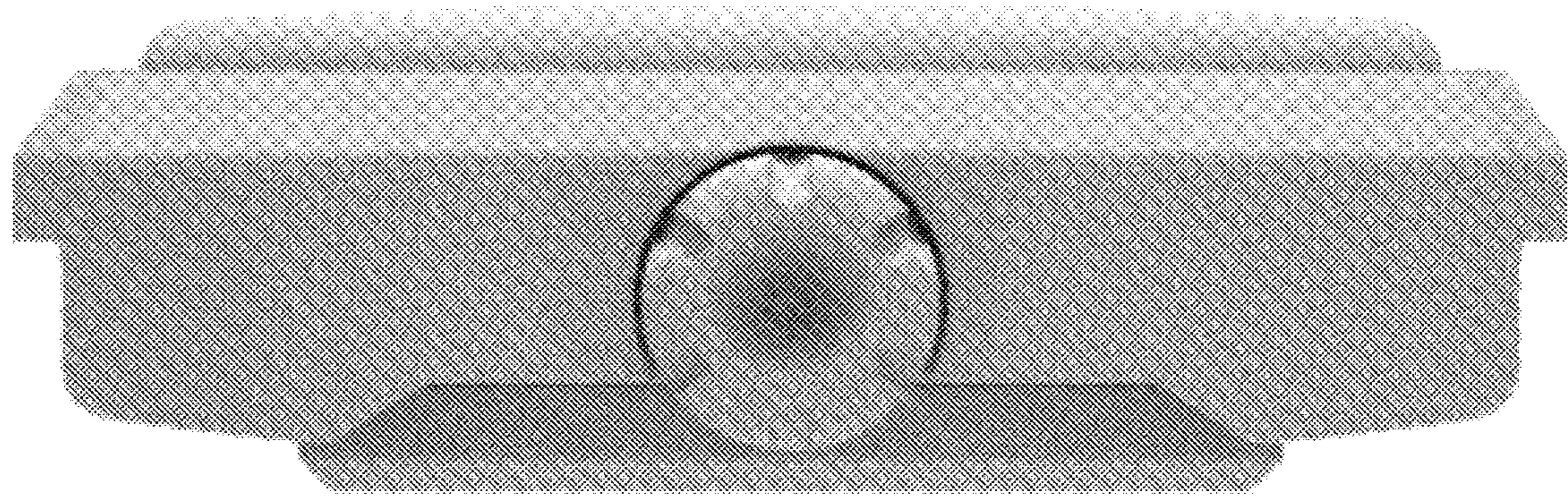


FIG. 3



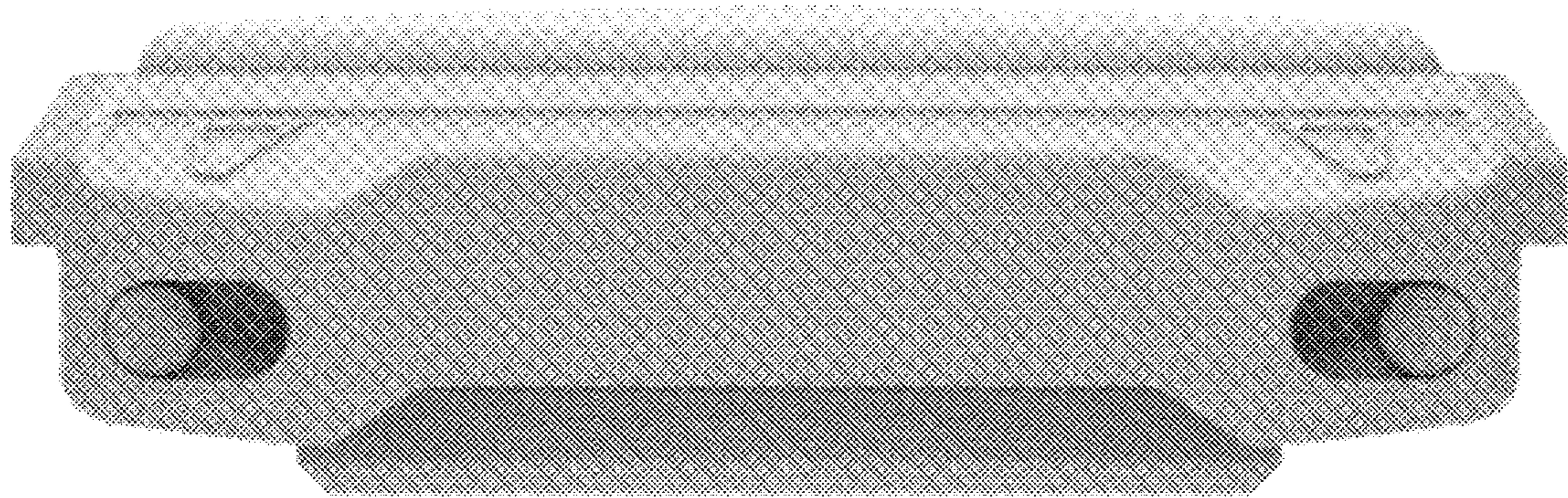


FIG. 4



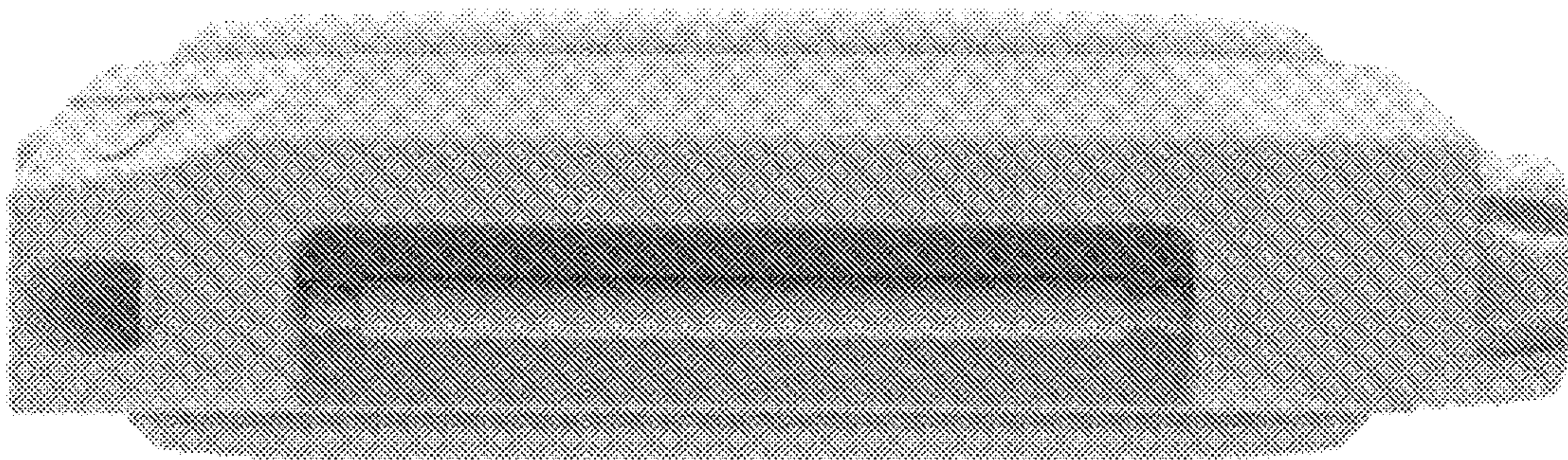


FIG. 5



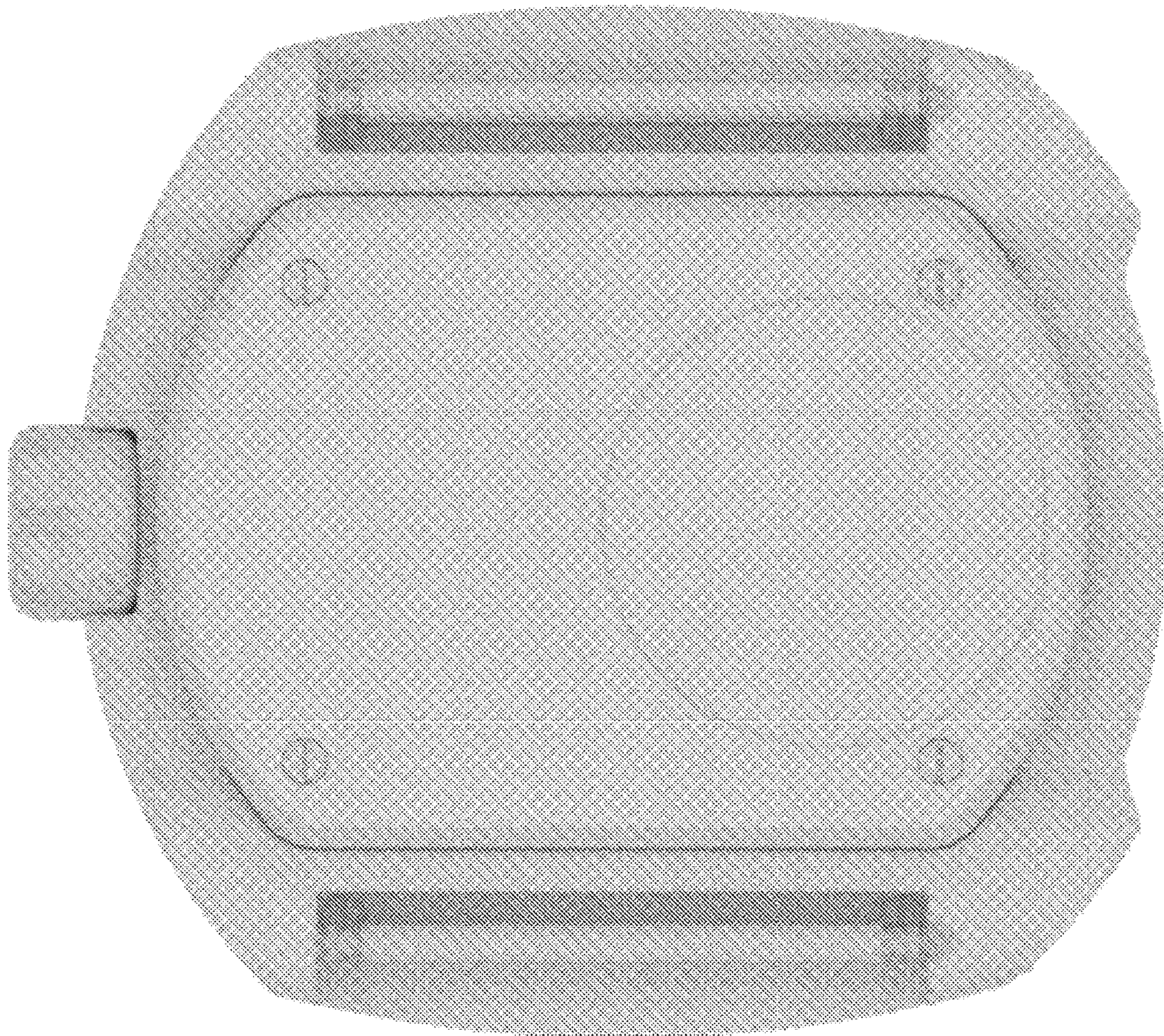


FIG. 6



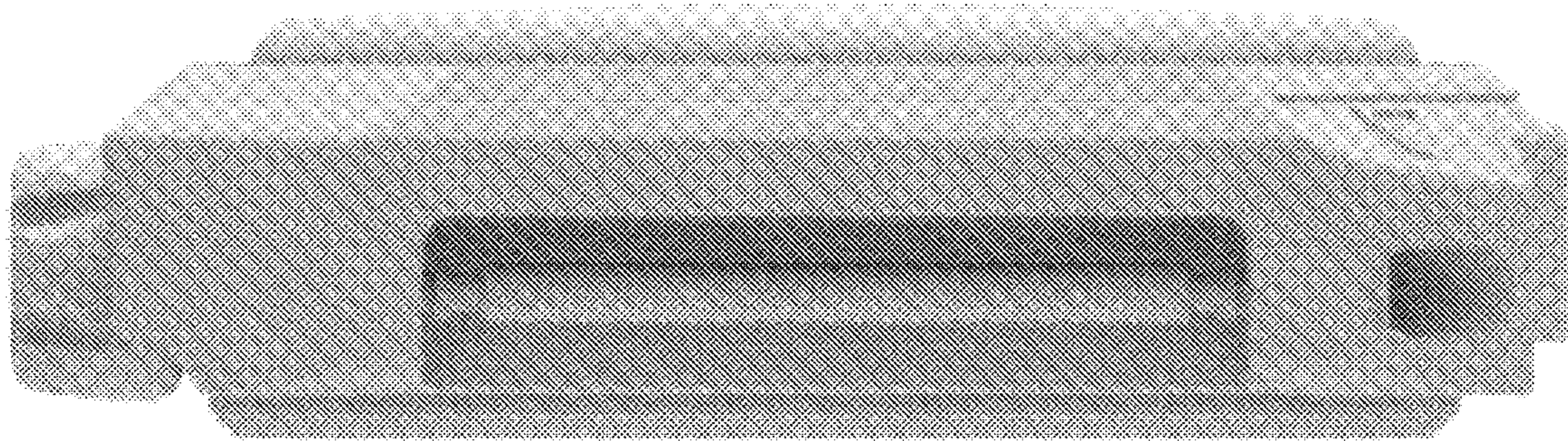


FIG. 7



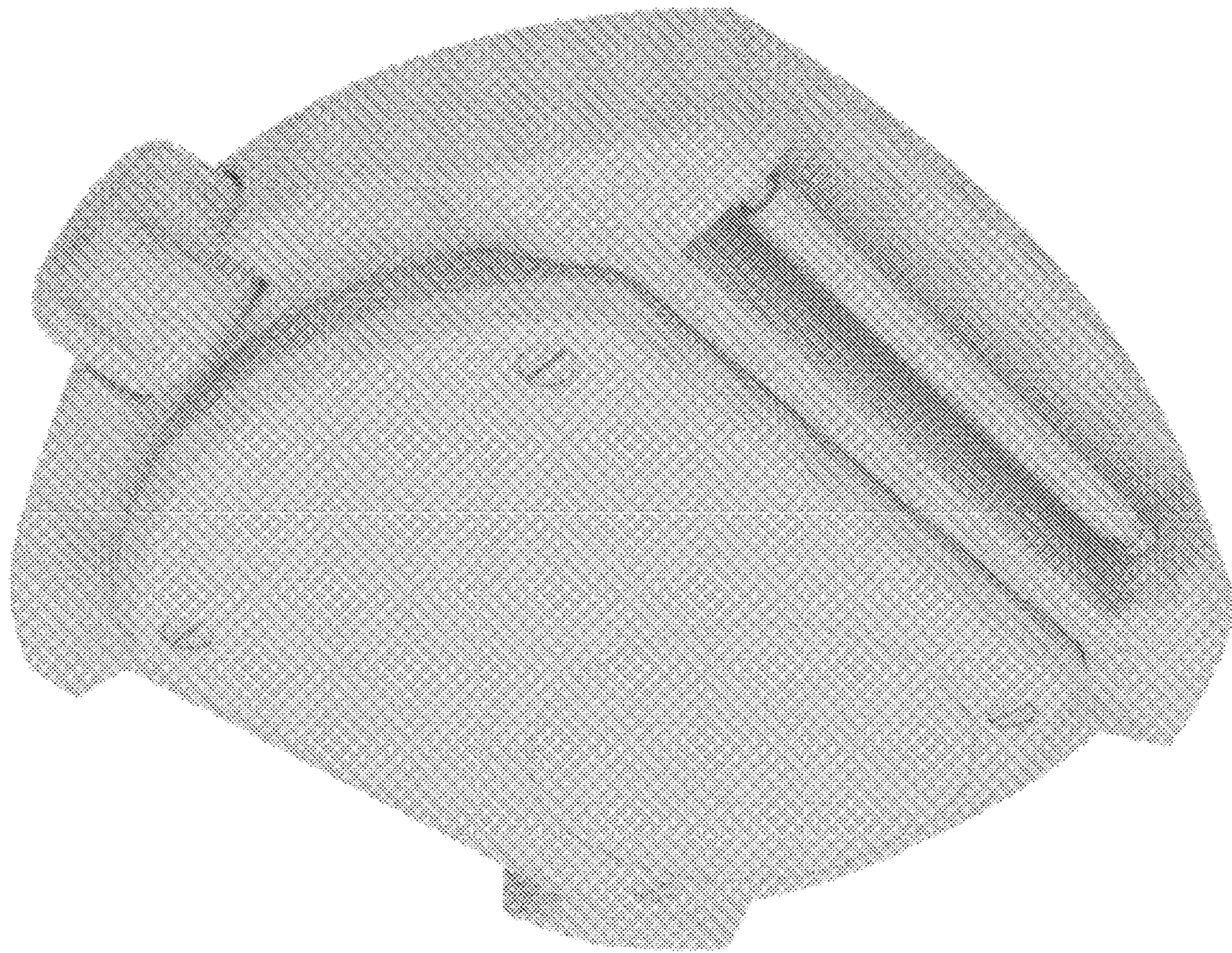


FIG. 8