



US00D839103S

(12) **United States Design Patent** (10) **Patent No.:** **US D839,103 S**
Groffsky et al. (45) **Date of Patent:** **** Jan. 29, 2019**

- (54) **REFILL CARTRIDGE**
- (71) Applicant: **ZGTL LLC**, New York, NY (US)
- (72) Inventors: **Zachary Groffsky**, New York, NY (US); **Taylor Lane**, New York, NY (US); **Jochen R. Schaepers**, New York, NY (US); **Stuart H. Lee**, Forest Hills, NY (US)
- (73) Assignee: **ZGTL LLC**, New York, NY (US)
- (**) Term: **15 Years**
- (21) Appl. No.: **29/632,449**
- (22) Filed: **Jan. 8, 2018**

5,984,553 A	11/1999	Piscopo et al.	
D424,930 S *	5/2000	Crawford	D9/727
6,276,857 B1	8/2001	Szekely	
D654,812 S	2/2012	Wade	
D732,388 S	6/2015	Toh et al.	
D741,173 S	10/2015	Toh et al.	
9,210,985 B2	12/2015	Arwatz et al.	
D767,389 S	9/2016	Toh et al.	
2006/0027585 A1 *	2/2006	Clamage	B65D 25/2897 220/669
2011/0186572 A1 *	8/2011	Ciccione	B65D 25/28 220/212.5
2011/0204015 A1 *	8/2011	West	B65D 3/22 215/316
2014/0270892 A1	9/2014	Linehan	
2016/0157580 A1	6/2016	Crawford et al.	
2016/0158779 A1 *	6/2016	Baumann	A45D 34/04 222/380

* cited by examiner

Related U.S. Application Data

- (63) Continuation-in-part of application No. 15/793,185, filed on Oct. 25, 2017.
- (51) **LOC (11) Cl.** **09-01**
- (52) **U.S. Cl.**
USPC **D9/727**
- (58) **Field of Classification Search**
USPC D9/442, 695-699, 702-714, 723-729;
D28/82, 88; 132/317, 318, 320; 222/95,
222/207, 212, 335
CPC A45D 34/00; A45D 40/00; B65D 81/3272
See application file for complete search history.

Primary Examiner — Derrick E Holland

Assistant Examiner — Janice Patyk

(74) *Attorney, Agent, or Firm* — Carter, Deluca, Farrell & Schmidt, LLP

(57) **CLAIM**

The ornamental design for a refill cartridge, as shown and described.

DESCRIPTION

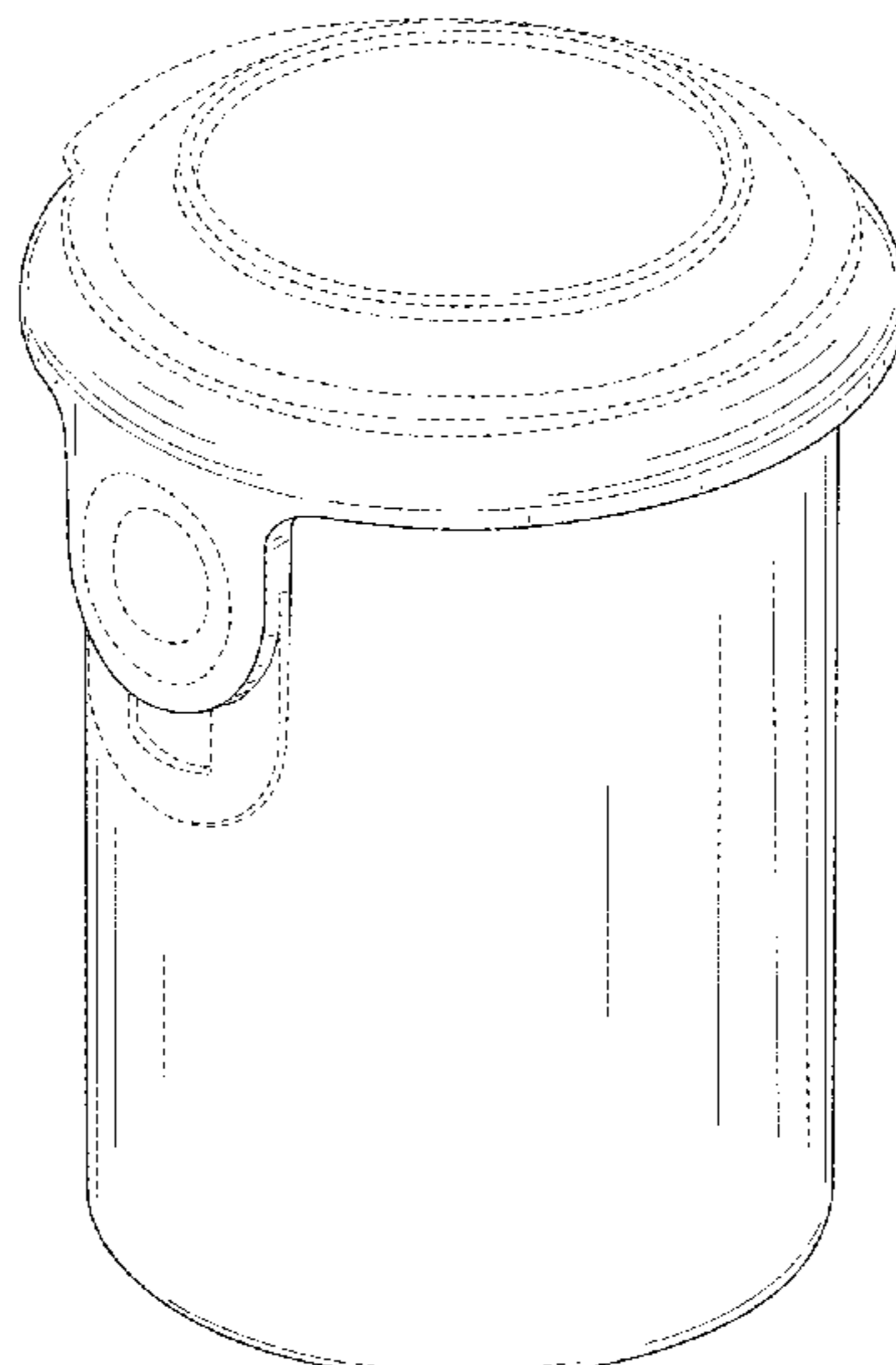
FIG. 1 is a front perspective view of a refill cartridge in accordance with the present design;
 FIG. 2 is a right side elevational view thereof;
 FIG. 3 is a front elevational view thereof;
 FIG. 4 is a rear elevational view thereof;
 FIG. 5 is a left side elevational view thereof;
 FIG. 6 is a top view thereof; and,
 FIG. 7 is a bottom view thereof.
 The broken lines shown in the drawings illustrate portions of the design that form no part of the claimed design.

1 Claim, 7 Drawing Sheets

(56) **References Cited**

U.S. PATENT DOCUMENTS

3,217,964 A *	11/1965	Stegner	B65D 3/12 229/125.17
4,884,912 A	12/1989	Gueret	
4,890,944 A	1/1990	Cousins et al.	
5,697,531 A	12/1997	Patton	
5,738,123 A	4/1998	Szekely	
5,947,621 A	9/1999	Szekely	



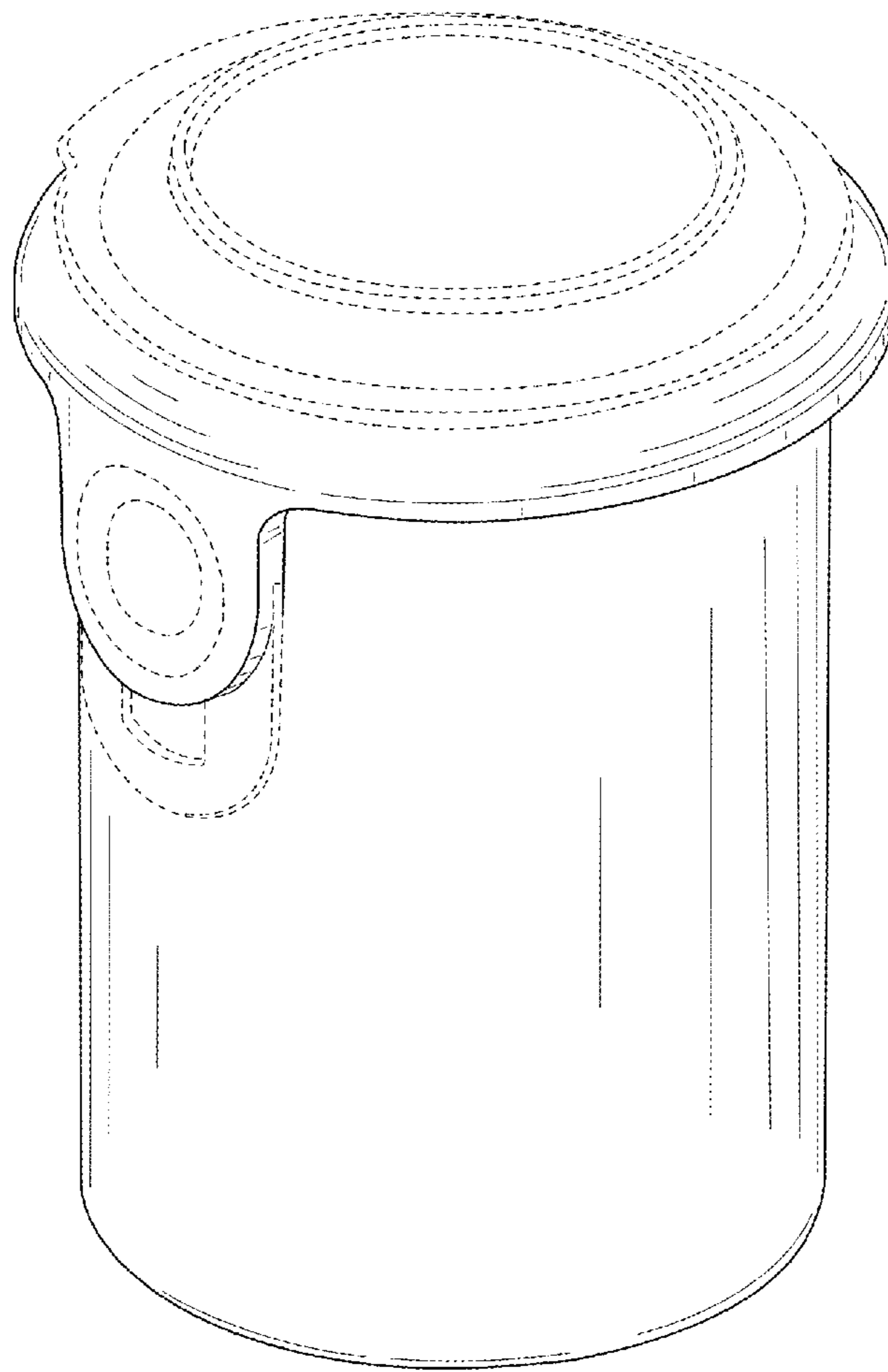


FIG. 1

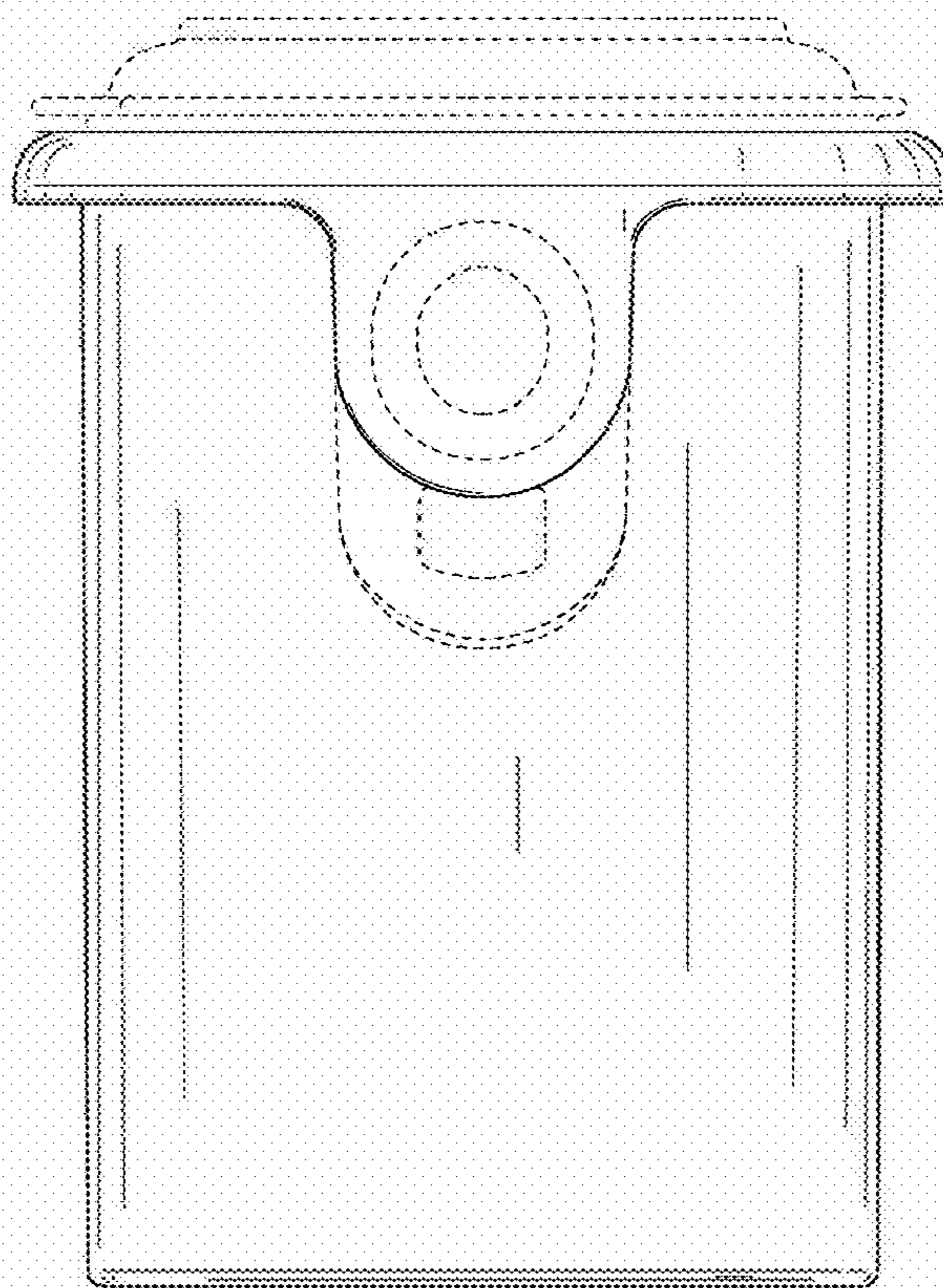


FIG. 2

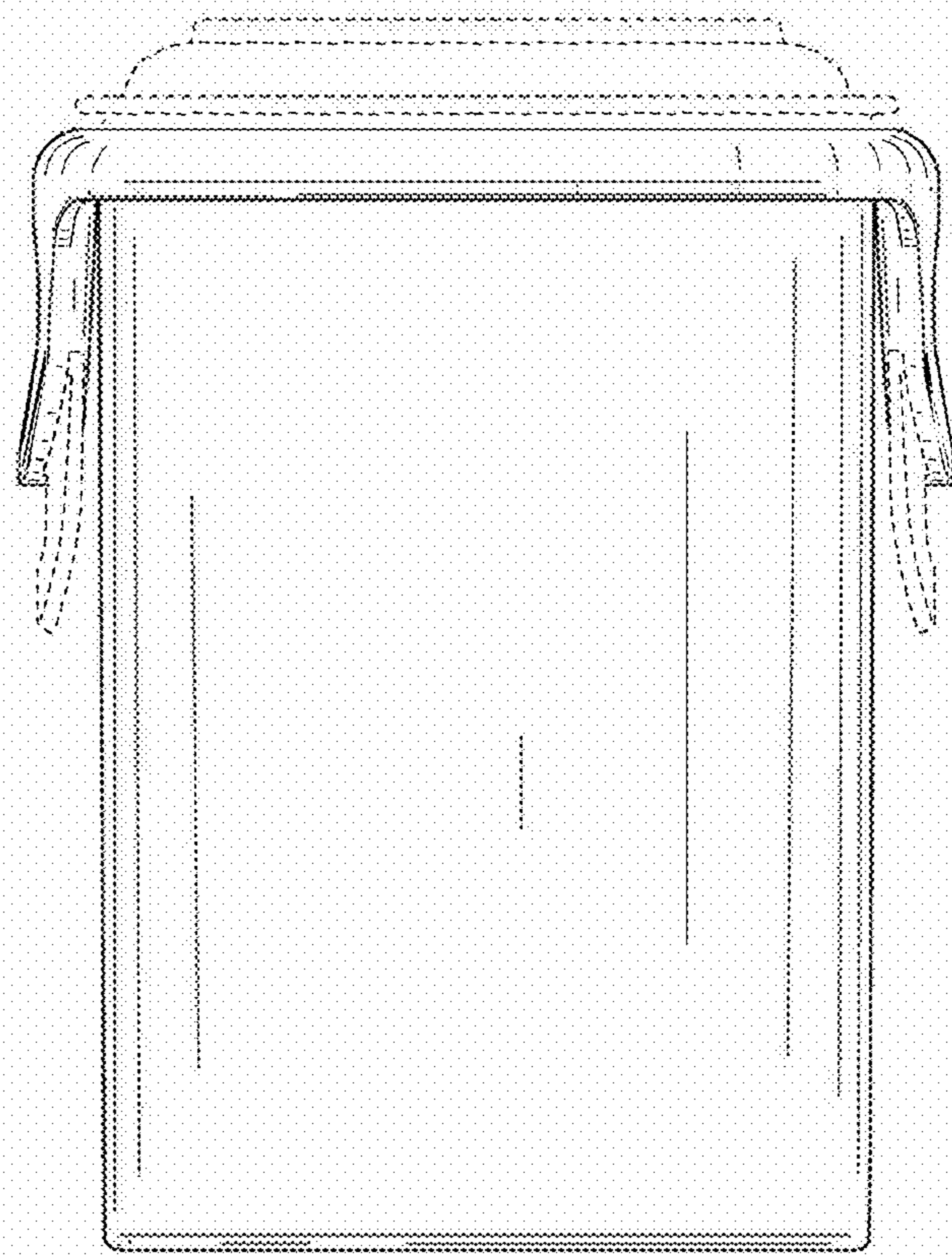


FIG. 3

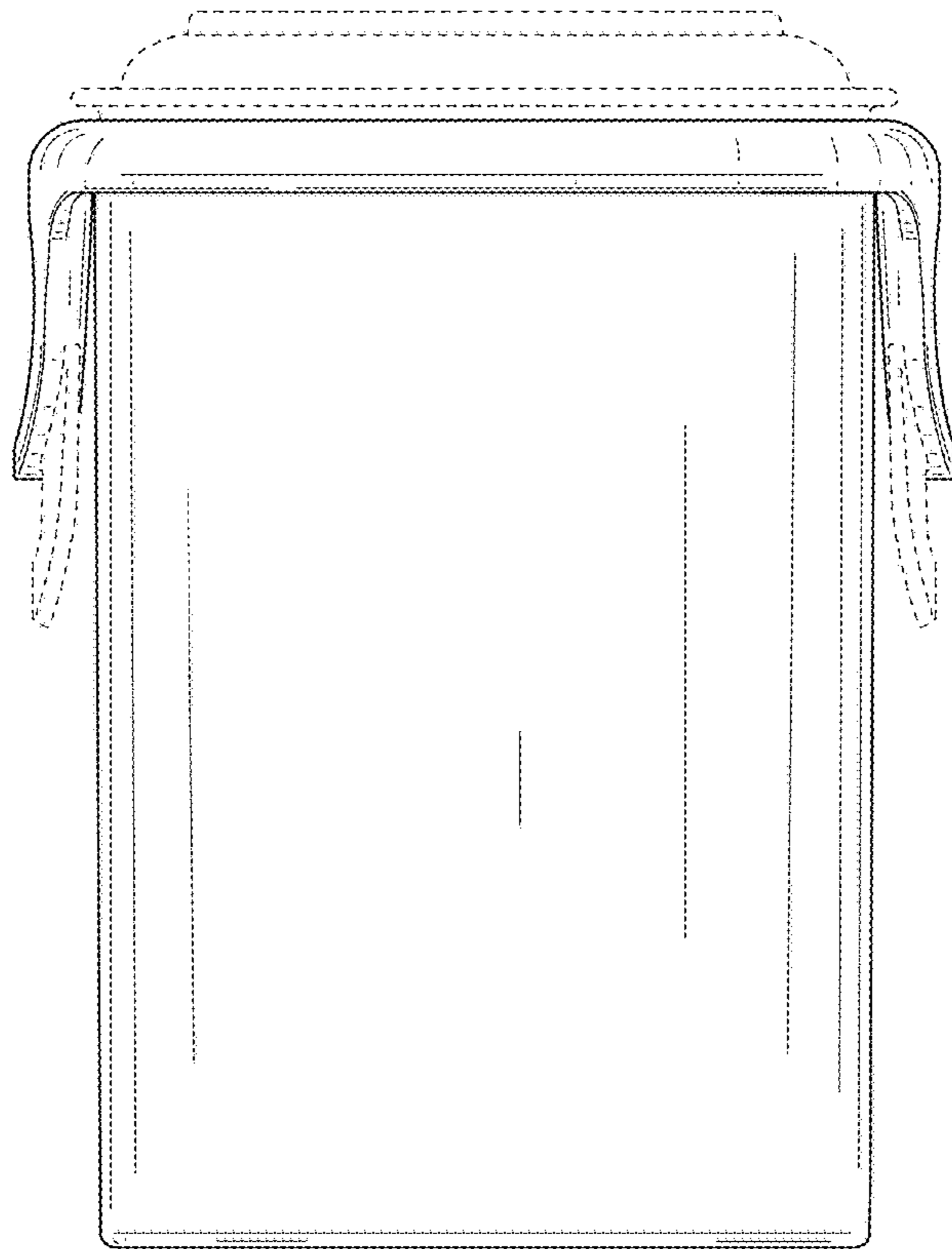


FIG. 4

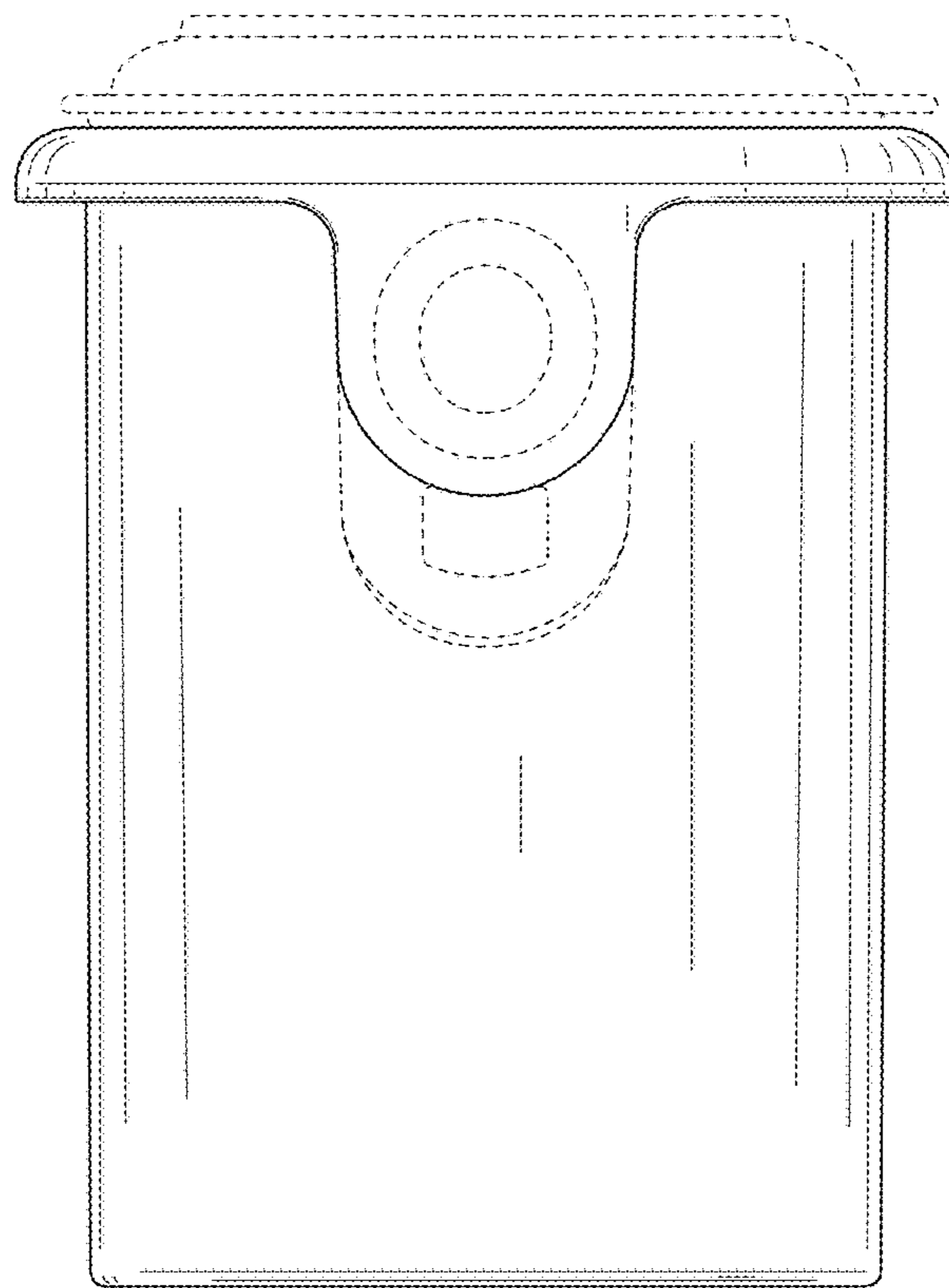


FIG. 5

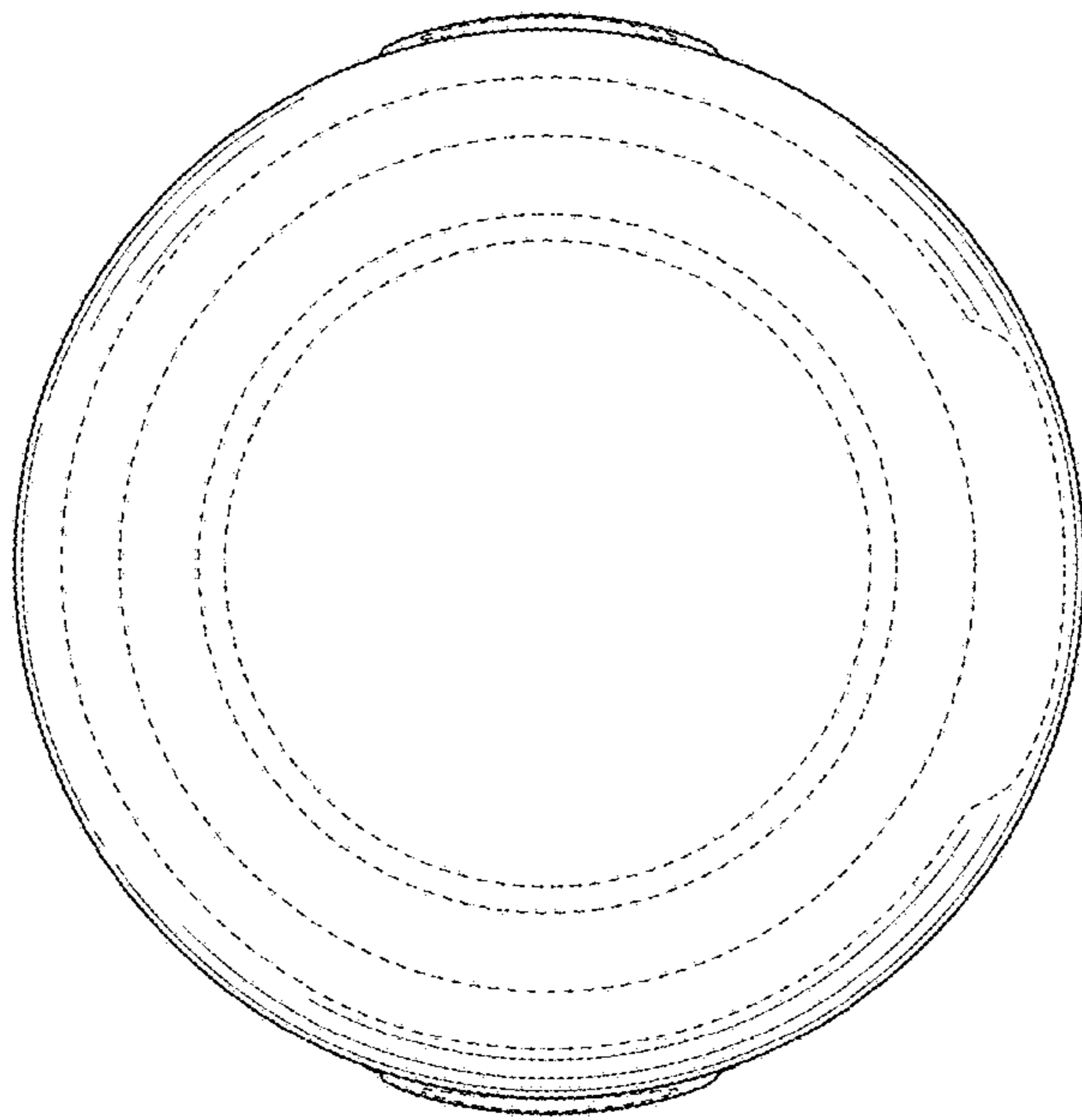


FIG. 6

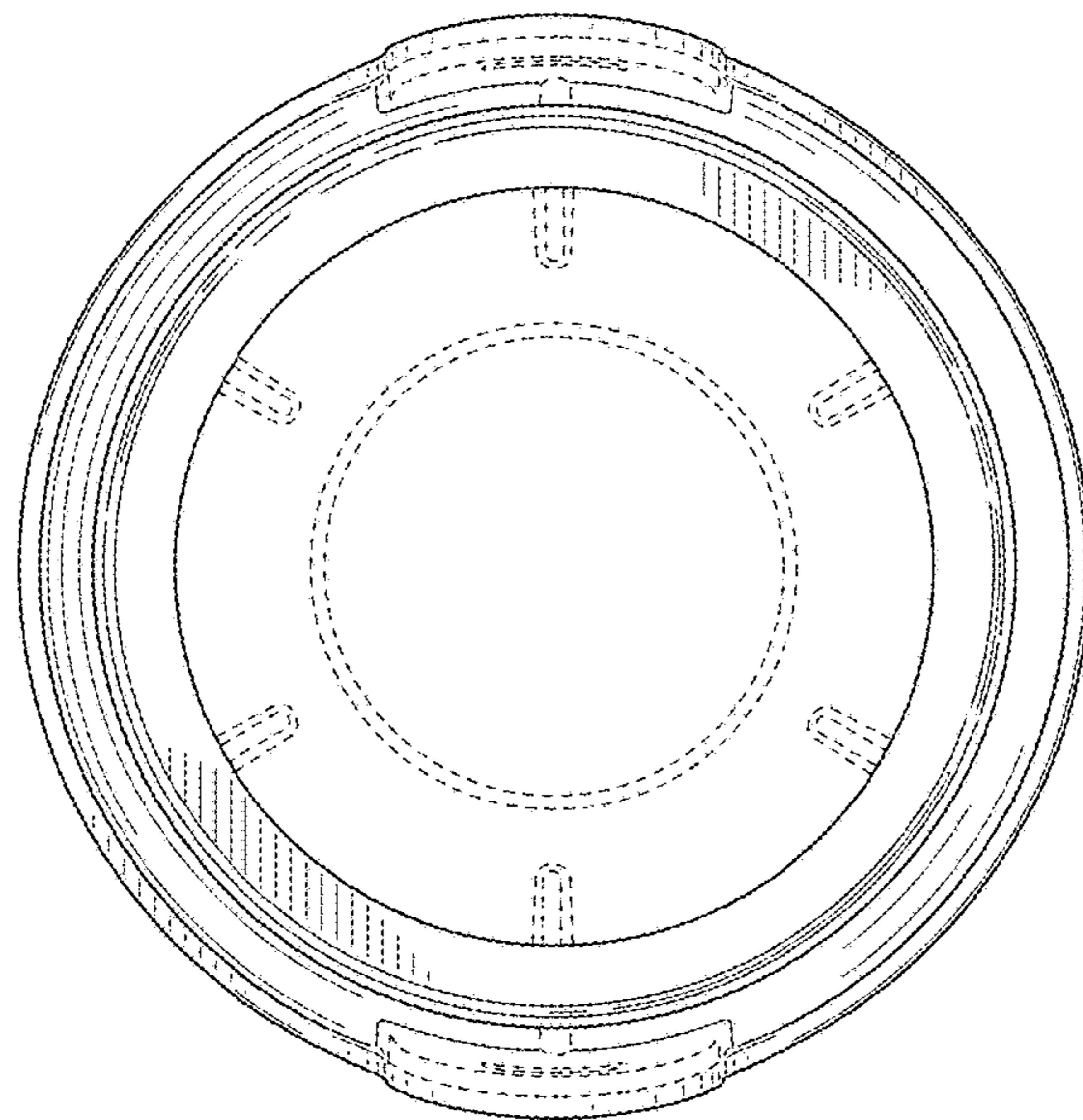


FIG. 7