



US00D839102S

(12) **United States Design Patent**
Boyd et al.

(10) **Patent No.:** **US D839,102 S**
(45) **Date of Patent:** **** Jan. 29, 2019**

(54) **BAG**
(71) Applicant: **SLICE OF LIFE FOODS, LLC**, Las Vegas, NV (US)
(72) Inventors: **Robert Owen Boyd**, Colton, CA (US); **Anthony Earl Middleton**, Colton, CA (US)
(73) Assignee: **SLICE OF LIFE FOODS, LLC**, Las Vegas, NV (US)

6,299,918 B1 * 10/2001 Morgese A47G 21/001
206/551
6,581,764 B1 * 6/2003 Hillebrand B65D 75/42
206/225
D476,883 S * 7/2003 Krohne D9/705
D572,603 S * 7/2008 Josephs D9/709
D583,256 S * 12/2008 Rothstein D9/709
D587,131 S * 2/2009 Friedland D9/707
D610,468 S * 2/2010 Rothstein D9/709
D773,295 S * 12/2016 Montanile D7/538
D811,240 S * 2/2018 Goto D9/712

* cited by examiner

(**) Term: **15 Years**

Primary Examiner — Abraham Bahta

(21) Appl. No.: **29/628,336**

(74) *Attorney, Agent, or Firm* — Hankin Patent Law, APC; Kevin Schraven; Anooj Patel

(22) Filed: **Dec. 4, 2017**

(51) **LOC (11) Cl.** **09-05**

(52) **U.S. Cl.**
USPC **D9/709**

(57) **CLAIM**

(58) **Field of Classification Search**
USPC D9/709, 430–433, 414–416, 423, 426, D9/428; 206/525, 457, 557; 229/68.1, 229/87.05, 87.08, 107–108, 111, 115, 229/116.2, 123.3, 126, 129.1, 221, 223, 229/224, 238, 902–906, 924–926, 938; 283/116; D7/601, 602, 629
CPC A45C 11/20; B65D 85/00; B65D 85/74; B65D 85/76; B65D 81/00; B65D 81/36; B65F 2240/16
See application file for complete search history.

The ornamental design for a bag, as shown and described.

DESCRIPTION

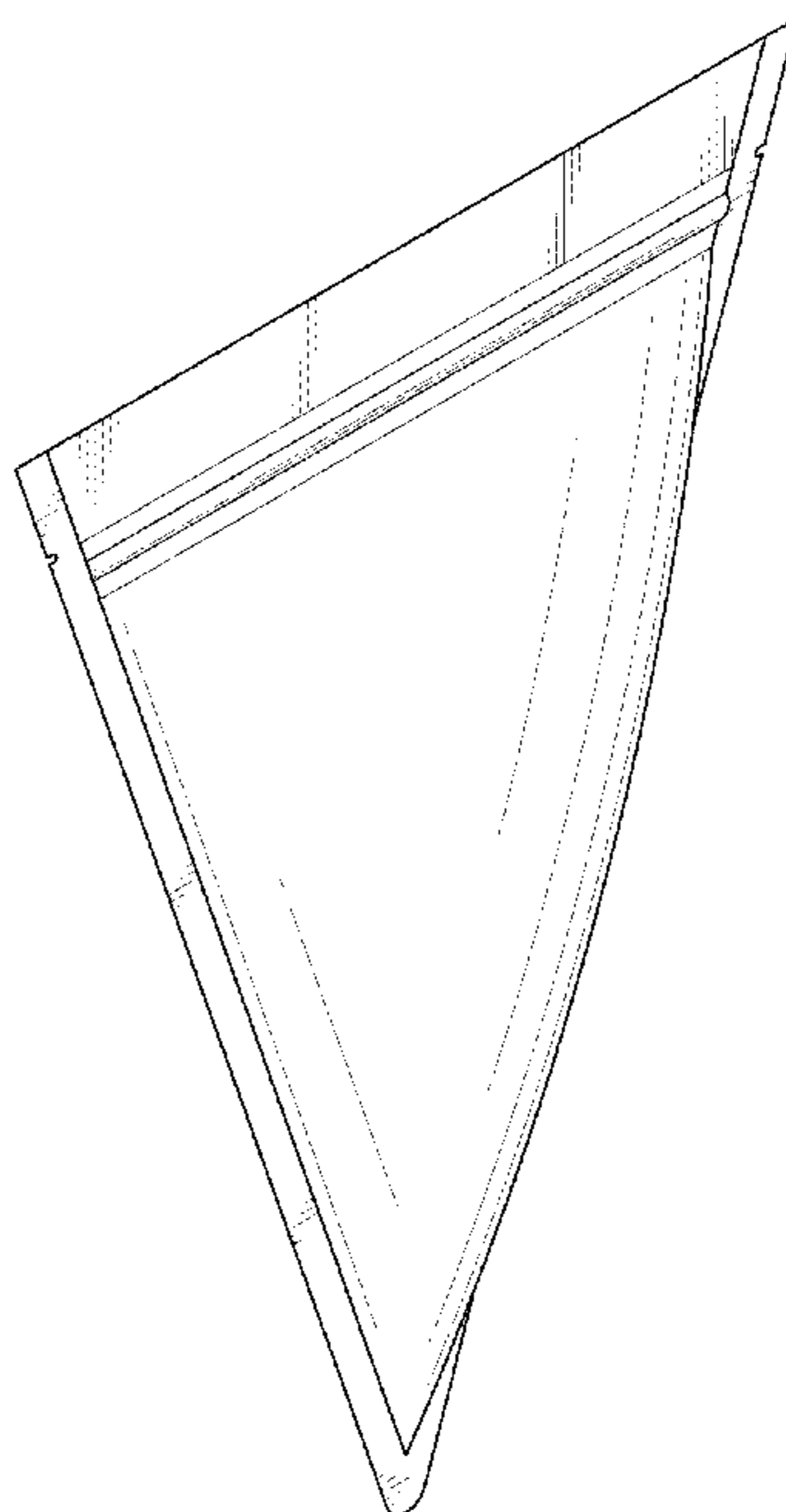
FIG. 1 is a front perspective view of an embodiment of the bag showing our new design.
FIG. 2 is a rear perspective view thereof.
FIG. 3 is a front elevational view thereof.
FIG. 4 is a left side elevational view thereof.
FIG. 5 is a right side elevational view thereof.
FIG. 6 is rear elevational view thereof.
FIG. 7 is a top plan view thereof; and,
FIG. 8 is a bottom plan view thereof.

(56) **References Cited**

U.S. PATENT DOCUMENTS

D250,880 S * 1/1979 Stone 30/114
D306,405 S * 3/1990 Kuerti D9/424

1 Claim, 6 Drawing Sheets



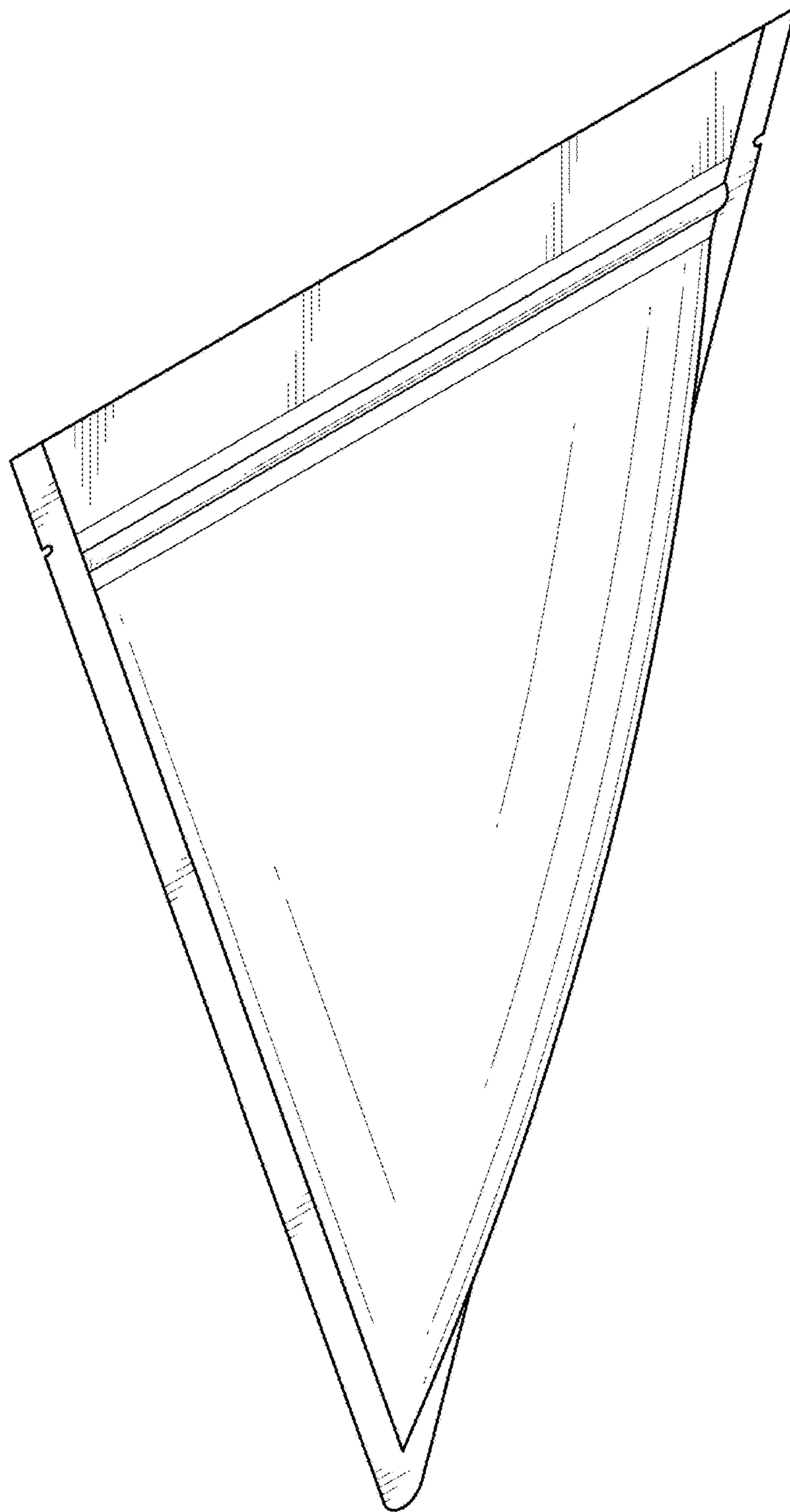


FIG. 1

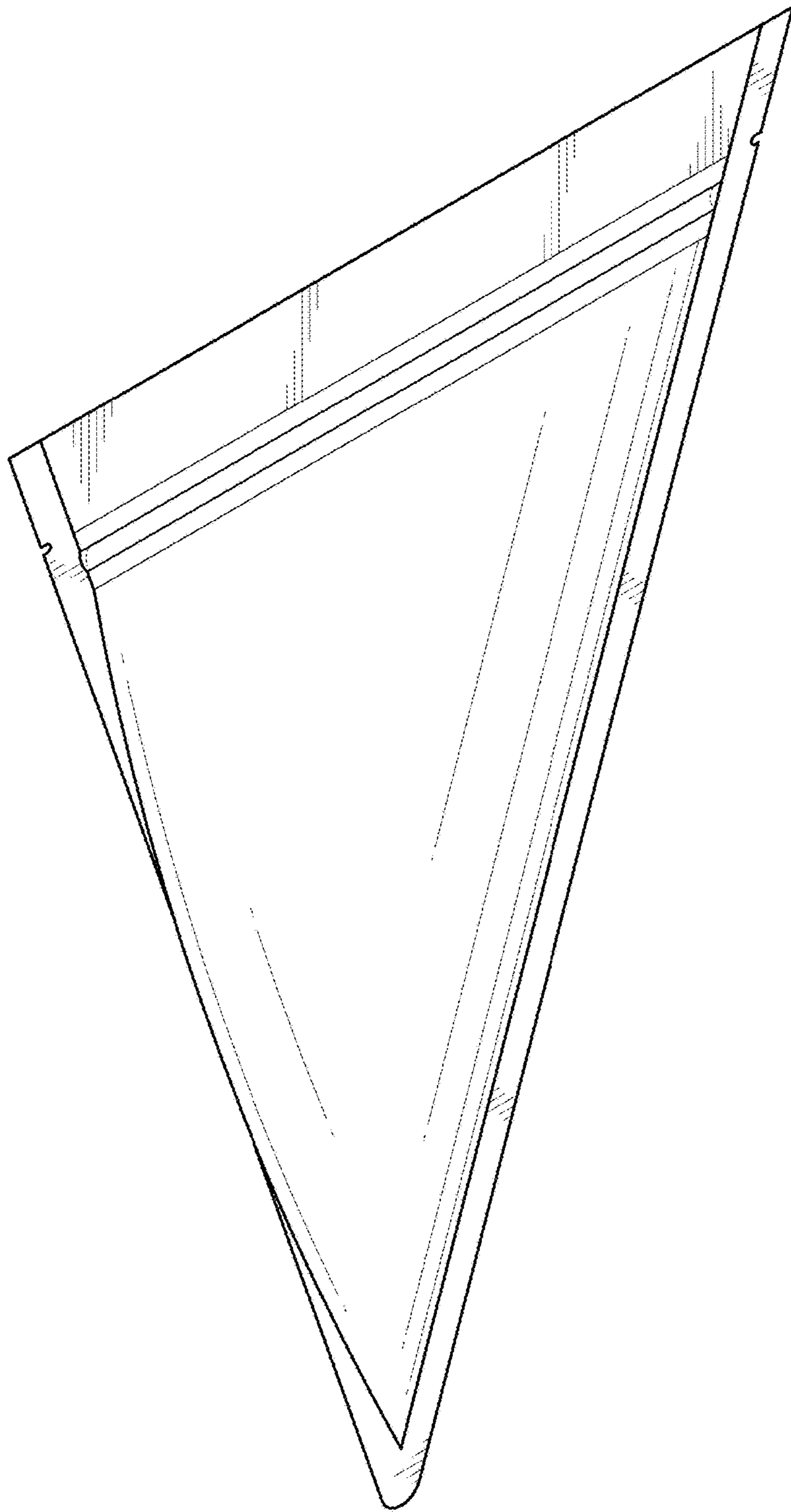


FIG. 2

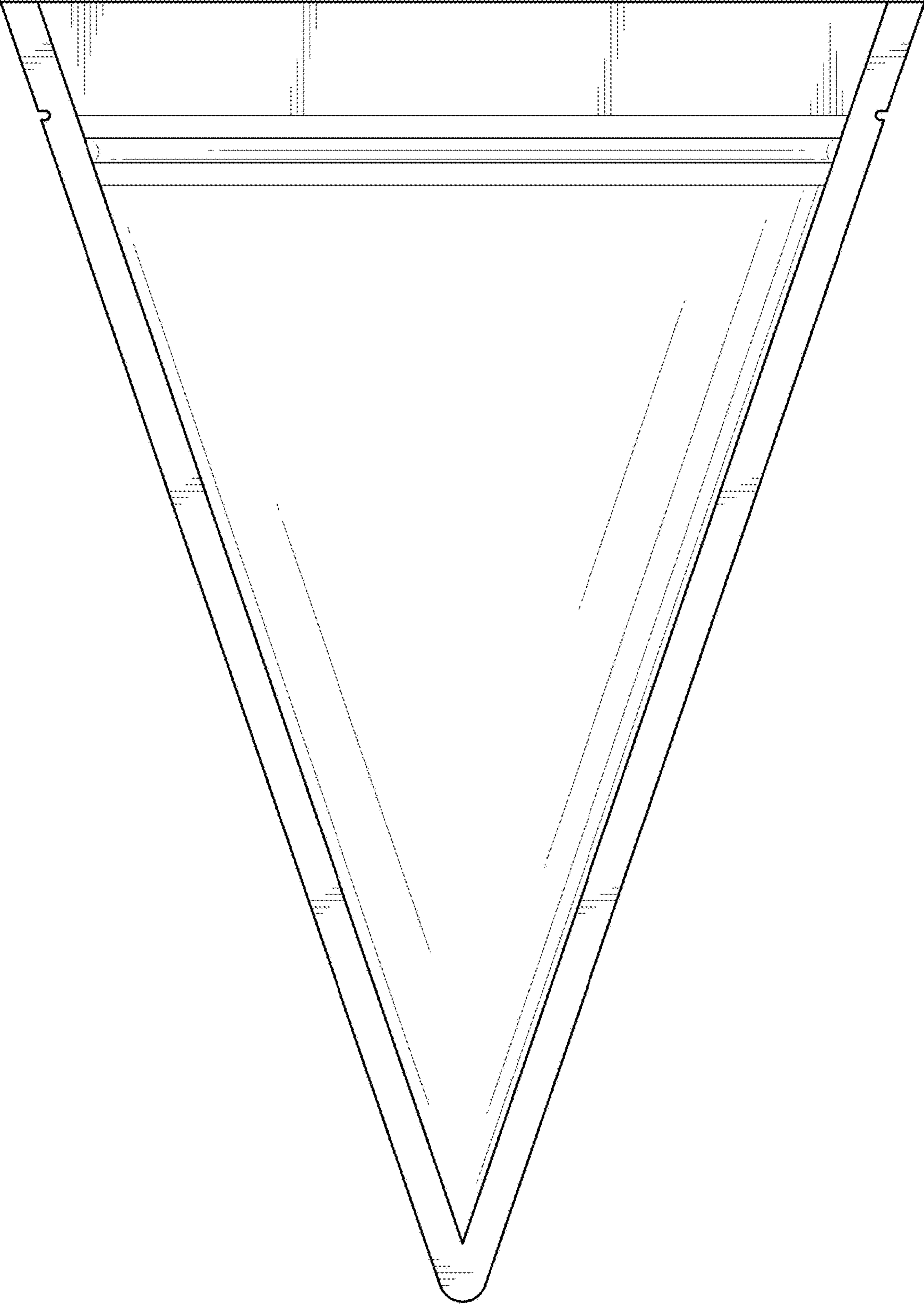


FIG. 3

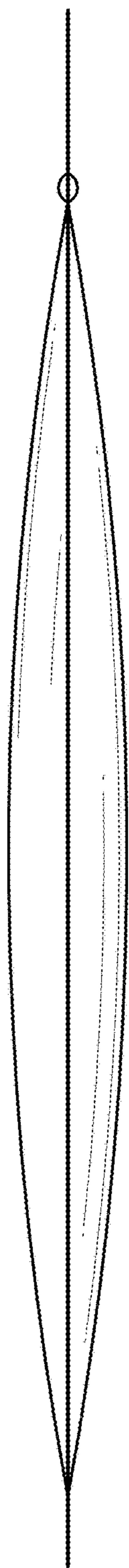


FIG. 4

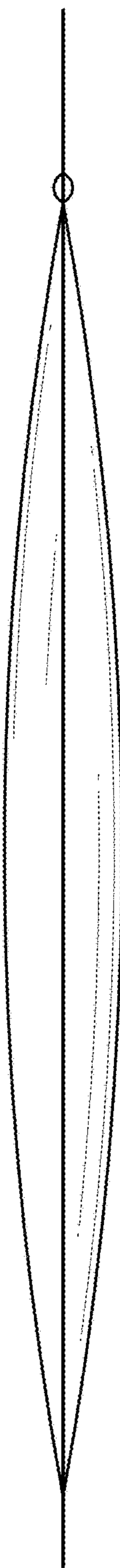


FIG. 5

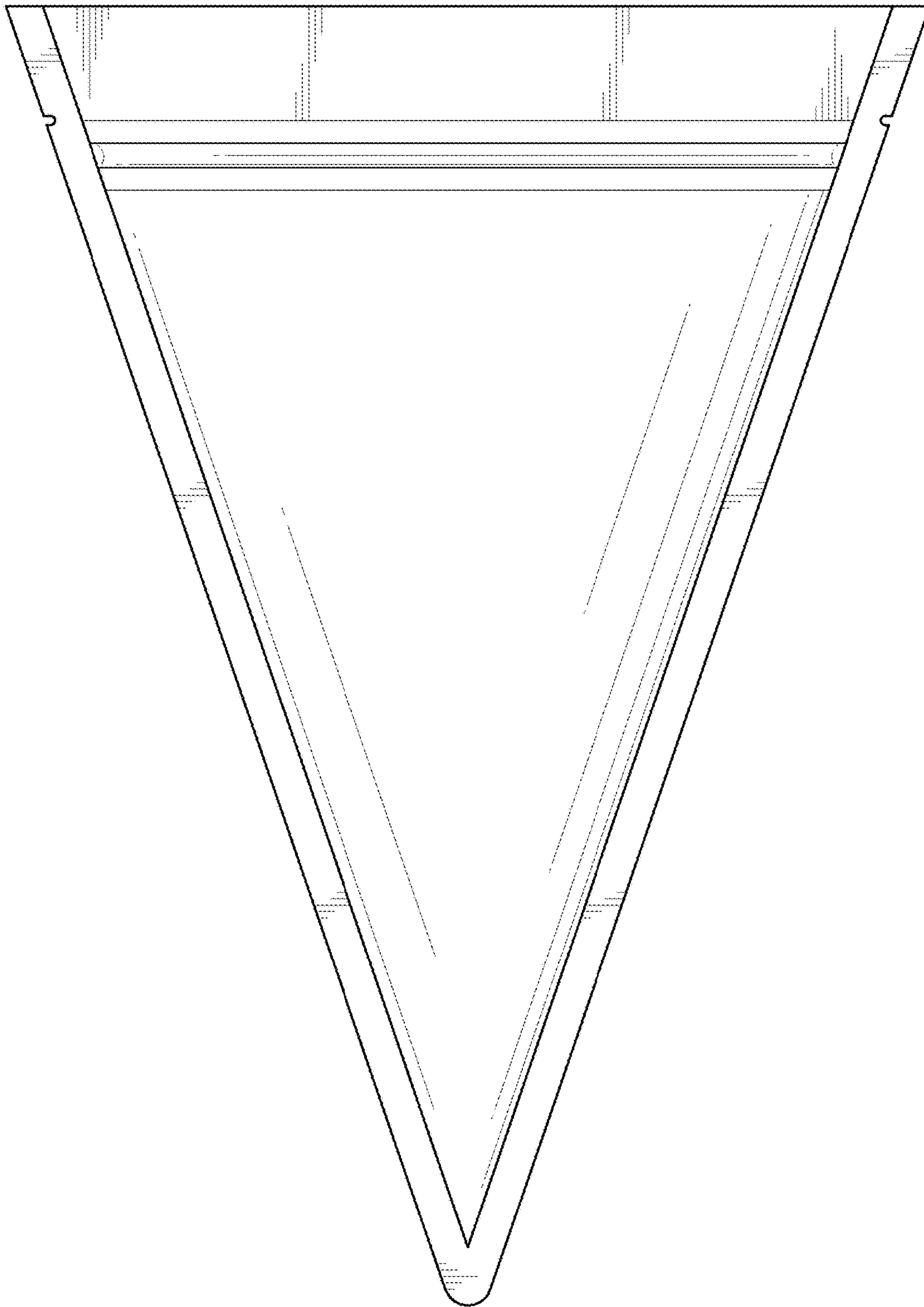


FIG. 6

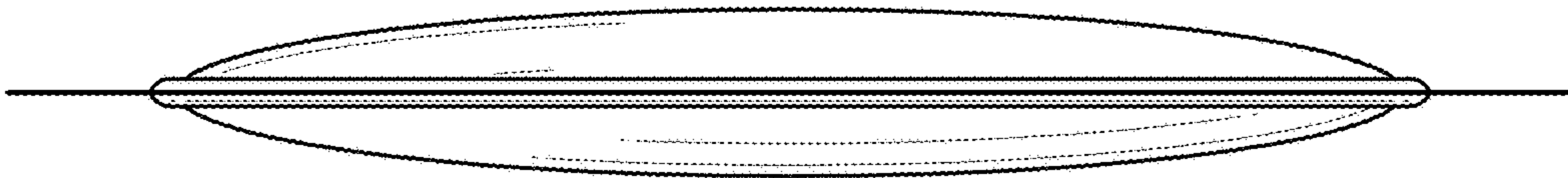


FIG. 7

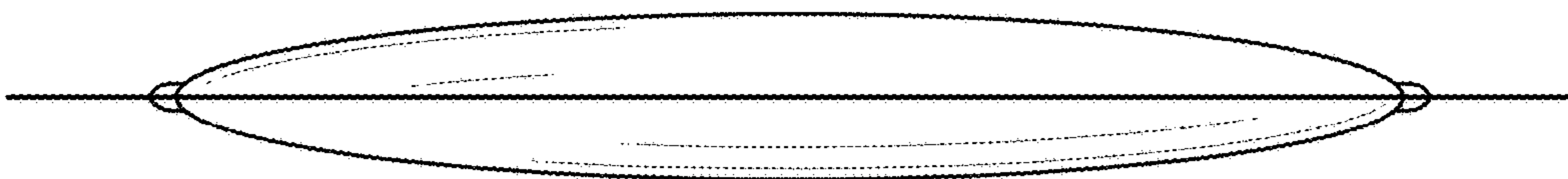


FIG. 8