



US00D839098S

(12) **United States Design Patent**
Chung

(10) **Patent No.:** **US D839,098 S**

(45) **Date of Patent:** **** Jan. 29, 2019**

(54) **LUBRICANT CONTAINER**

(71) Applicant: **SK Lubricants Co., Ltd.**, Seoul (KR)

(72) Inventor: **Soo Chung**, Seoul (KR)

(73) Assignee: **SK Lubricants Co., Ltd.**, Seoul (KR)

(**) Term: **15 Years**

(21) Appl. No.: **29/560,846**

(22) Filed: **Apr. 11, 2016**

(30) **Foreign Application Priority Data**

Mar. 9, 2016 (KR) 30-2016-0010758

(51) **LOC (11) Cl.** **09-01**

(52) **U.S. Cl.**
USPC **D9/528**; D9/533; D9/575

(58) **Field of Classification Search**
USPC D9/516, 520, 523, 528, 530, 531, 533,
D9/572, 575, 715, 745; D23/211.1
CPC . B65D 85/00; B65D 1/12; B65D 1/18; B65D
1/20; B65D 21/0237; F16N 3/04
See application file for complete search history.

(56) **References Cited**

U.S. PATENT DOCUMENTS

D346,331 S *	4/1994	Jaramillo	D9/520
D415,033 S *	10/1999	Forecast	D9/528
D458,541 S *	6/2002	Steiger	D9/528
D490,319 S *	5/2004	Wiper	D9/528
D501,407 S *	2/2005	Feen	D9/528
D520,368 S *	5/2006	Dorn	D9/520
D527,639 S *	9/2006	Voss	B65D 1/18
				D9/528
D528,424 S *	9/2006	Archeny	B65D 25/2894
				D9/527
D595,586 S *	7/2009	Kissinger	D9/528
D608,208 S *	1/2010	Vaughan	D9/533
D622,596 S *	8/2010	Miller	D9/528

D626,846 S *	11/2010	Schlies	D9/528
D628,073 S *	11/2010	Miller	D9/516
D656,028 S *	3/2012	Fleischhacker	D9/516
D656,401 S *	3/2012	Hickey	D9/527
D660,163 S *	5/2012	Miller	D9/528
D693,225 S *	11/2013	Baker	D9/528
D732,963 S *	6/2015	Hawry	D9/528
D744,840 S *	12/2015	Hawry	D9/529
D747,968 S *	1/2016	Martin	D9/453
9,334,085 B2 *	5/2016	Persson	B65D 25/2885
2005/0236414 A1 *	10/2005	Darr	B65D 1/18
				220/608

(Continued)

Primary Examiner — Ian Simmons

Assistant Examiner — Keith Frank

(74) *Attorney, Agent, or Firm* — Hauptman Ham, LLP

(57) **CLAIM**

The ornamental design for a lubricant container, as shown and described.

DESCRIPTION

FIG. 1 is a front left perspective view of a lubricant container showing my new design;

FIG. 2 is a partial enlarged view of FIG. 1 thereof;

FIG. 3 is a front elevational view of FIG. 1;

FIG. 4 is a partial enlarged view of FIG. 3 thereof;

FIG. 5 is a rear elevational view of FIG. 1;

FIG. 6 is a partial enlarged view of FIG. 5 thereof;

FIG. 7 is a left side elevational view of FIG. 1;

FIG. 8 is a right side elevational view thereof;

FIG. 9 is a partial enlarged view of FIG. 8 thereof;

FIG. 10 is a top plan view thereof;

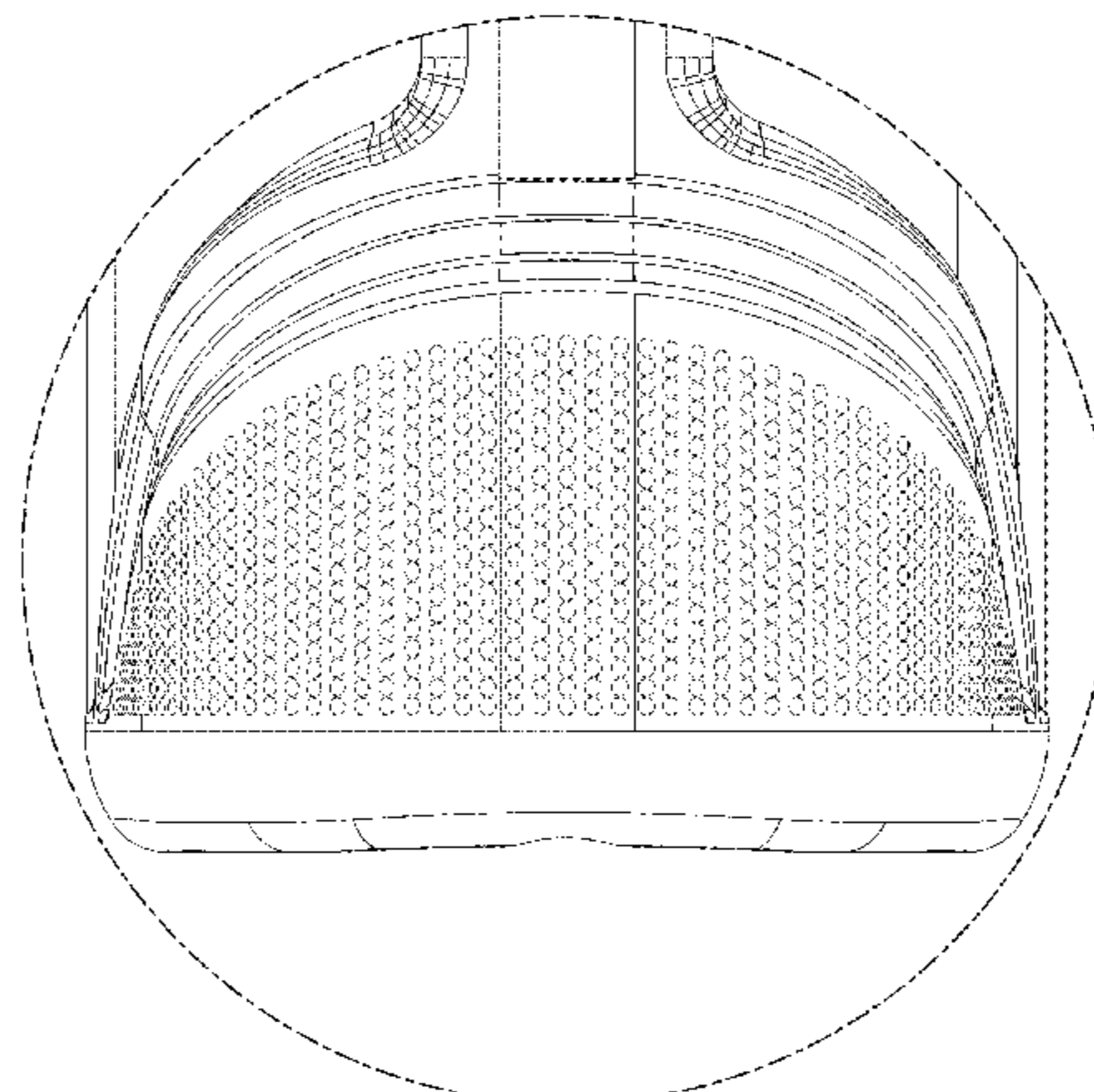
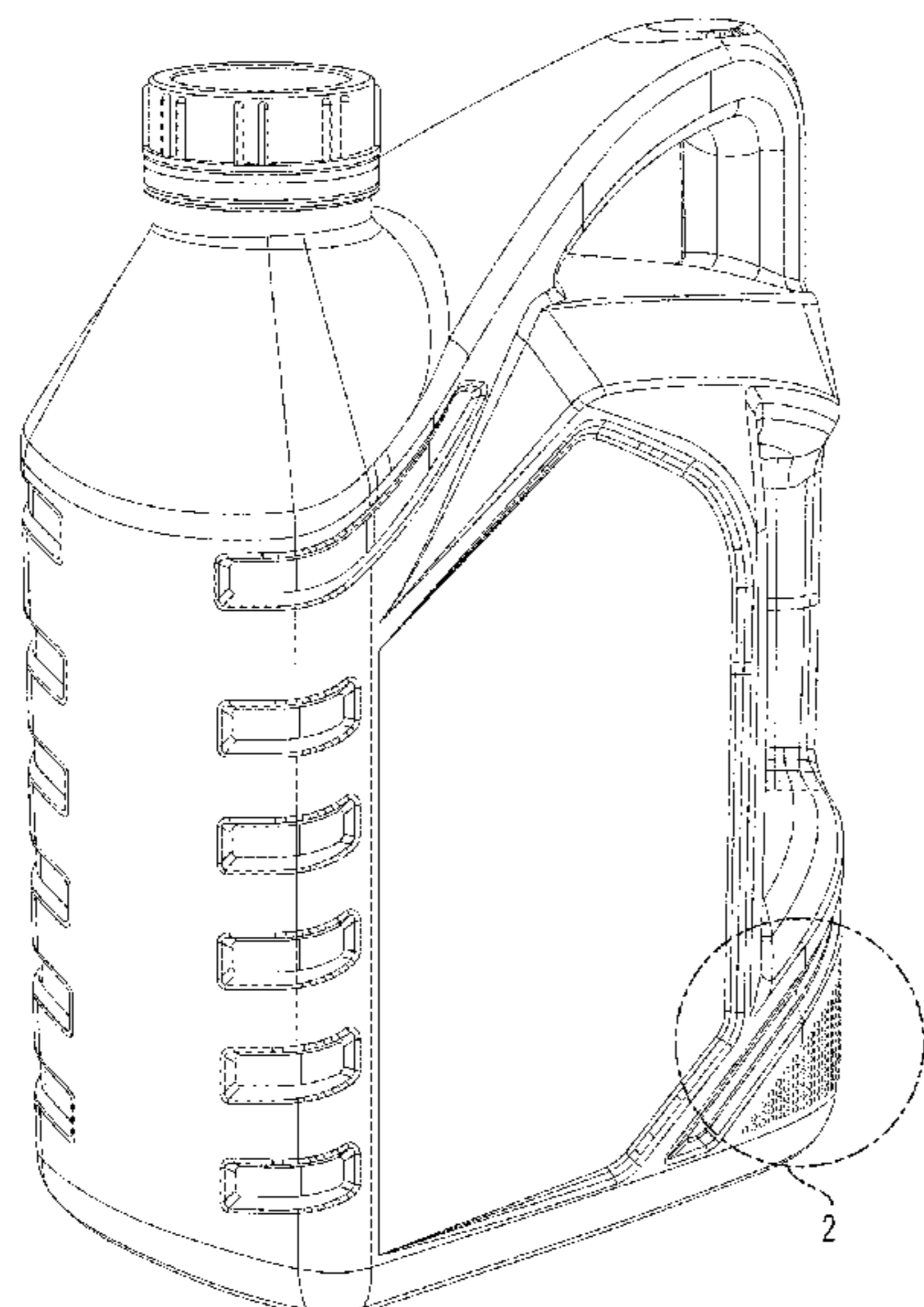
FIG. 11 is a bottom plan view thereof;

FIG. 12 is a front right perspective view thereof; and,

FIG. 13 is a partial enlarged view of FIG. 12.

The broken lines in the drawings showing the lubricant container illustrate the portions of the lubricant container that form no part of the claimed design.

1 Claim, 12 Drawing Sheets



(56)

References Cited

U.S. PATENT DOCUMENTS

2012/0325866 A1* 12/2012 Lee B65D 25/42
222/466

* cited by examiner

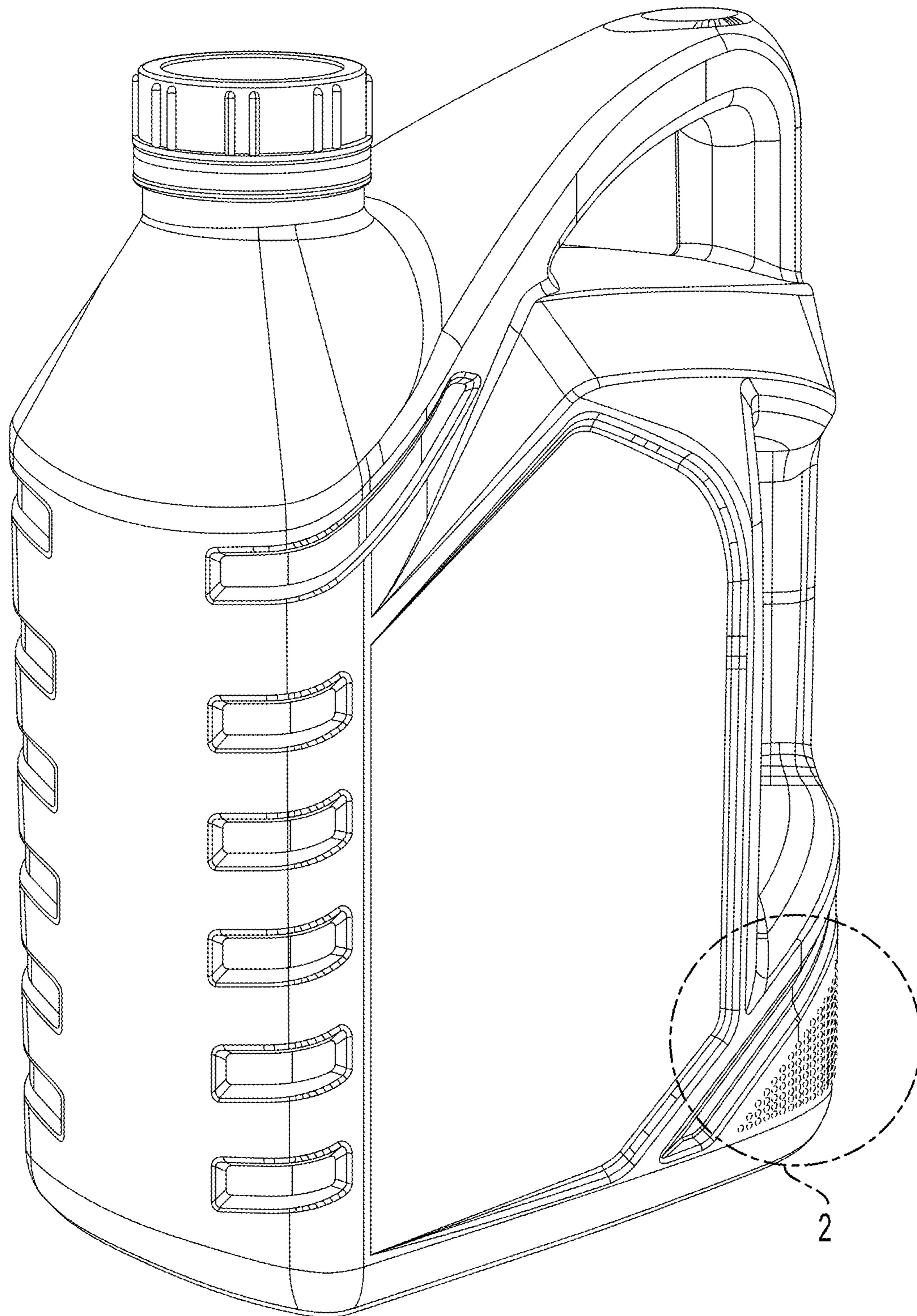


FIG. 1

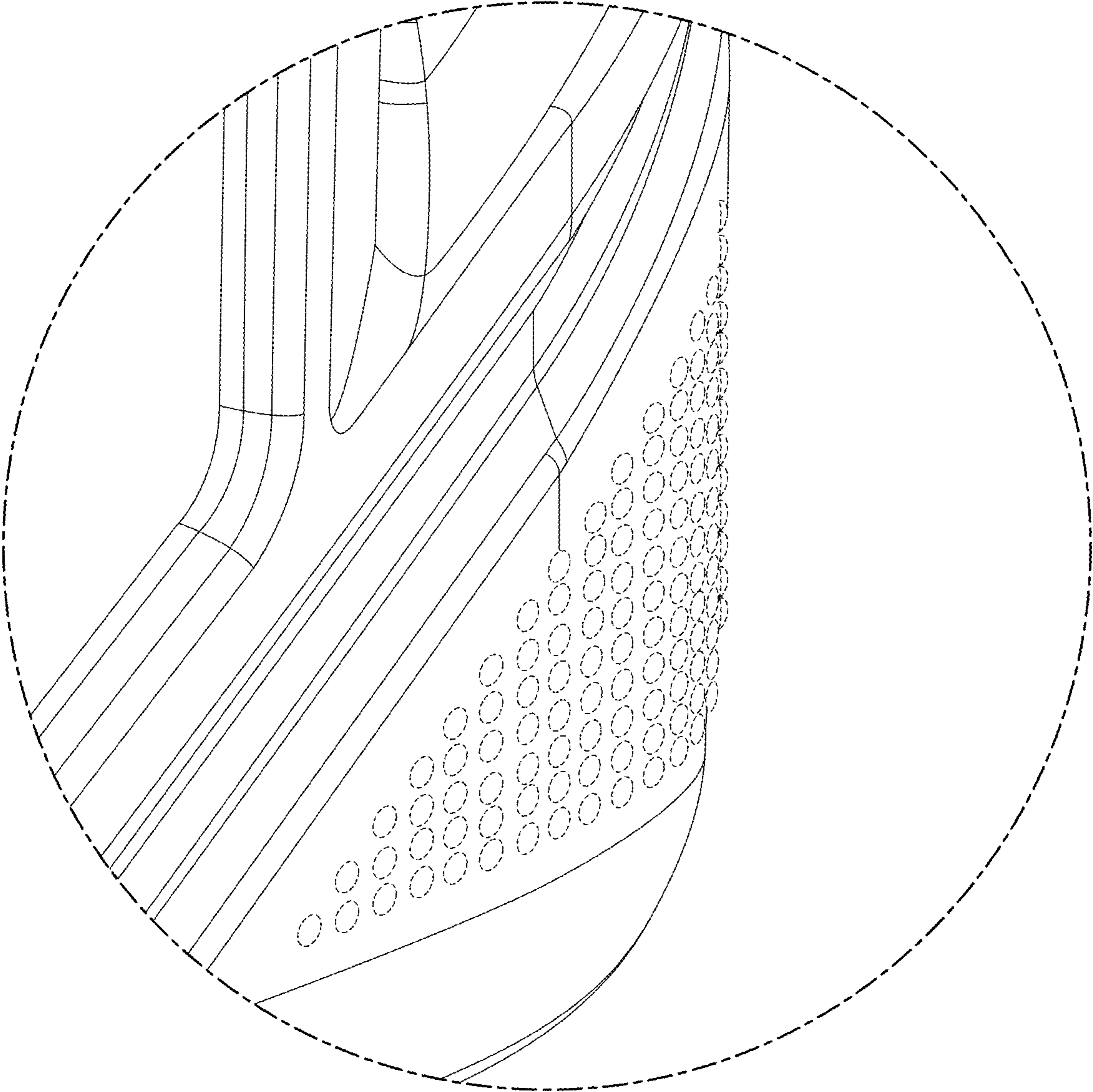


FIG. 2

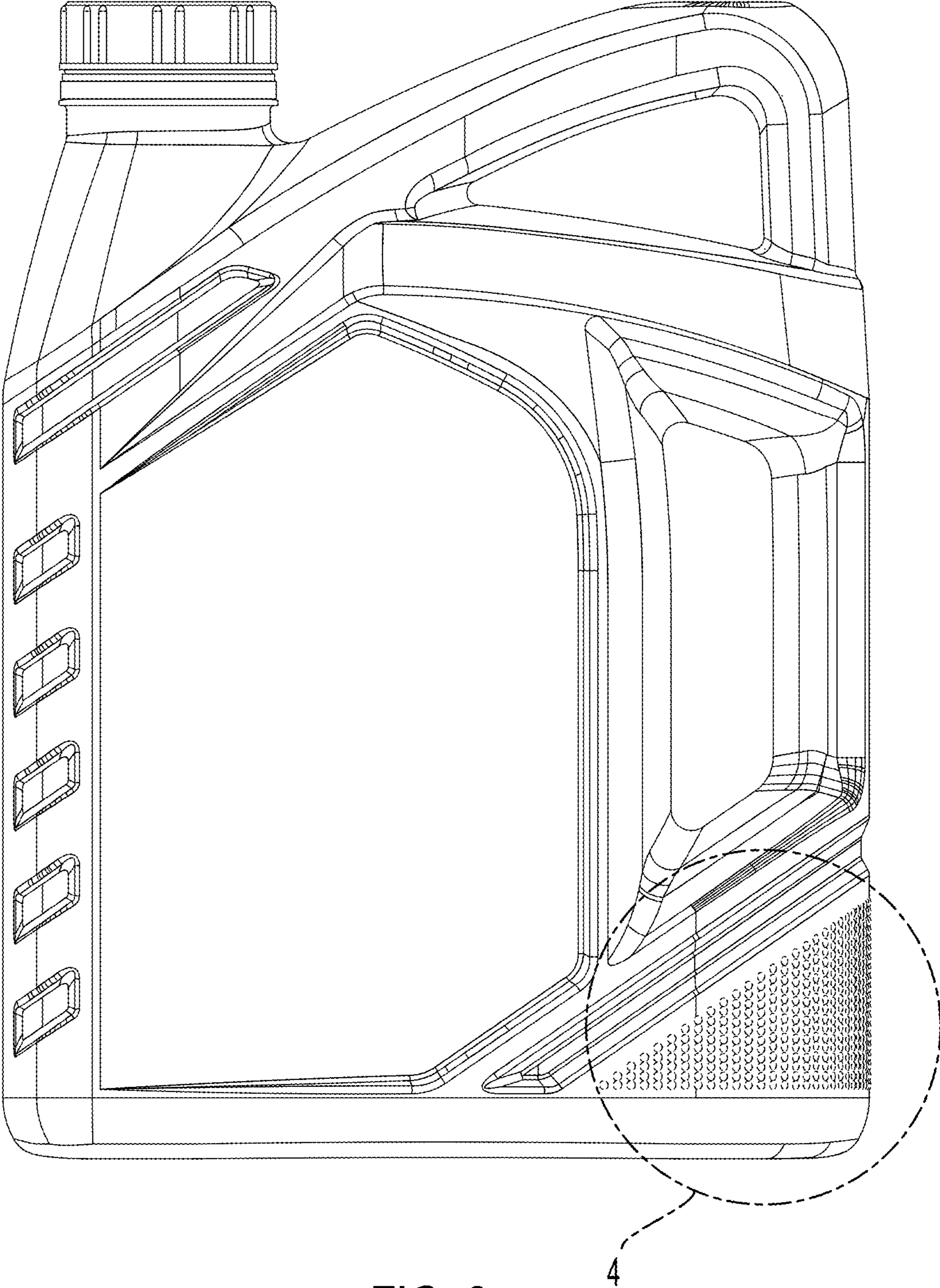


FIG. 3

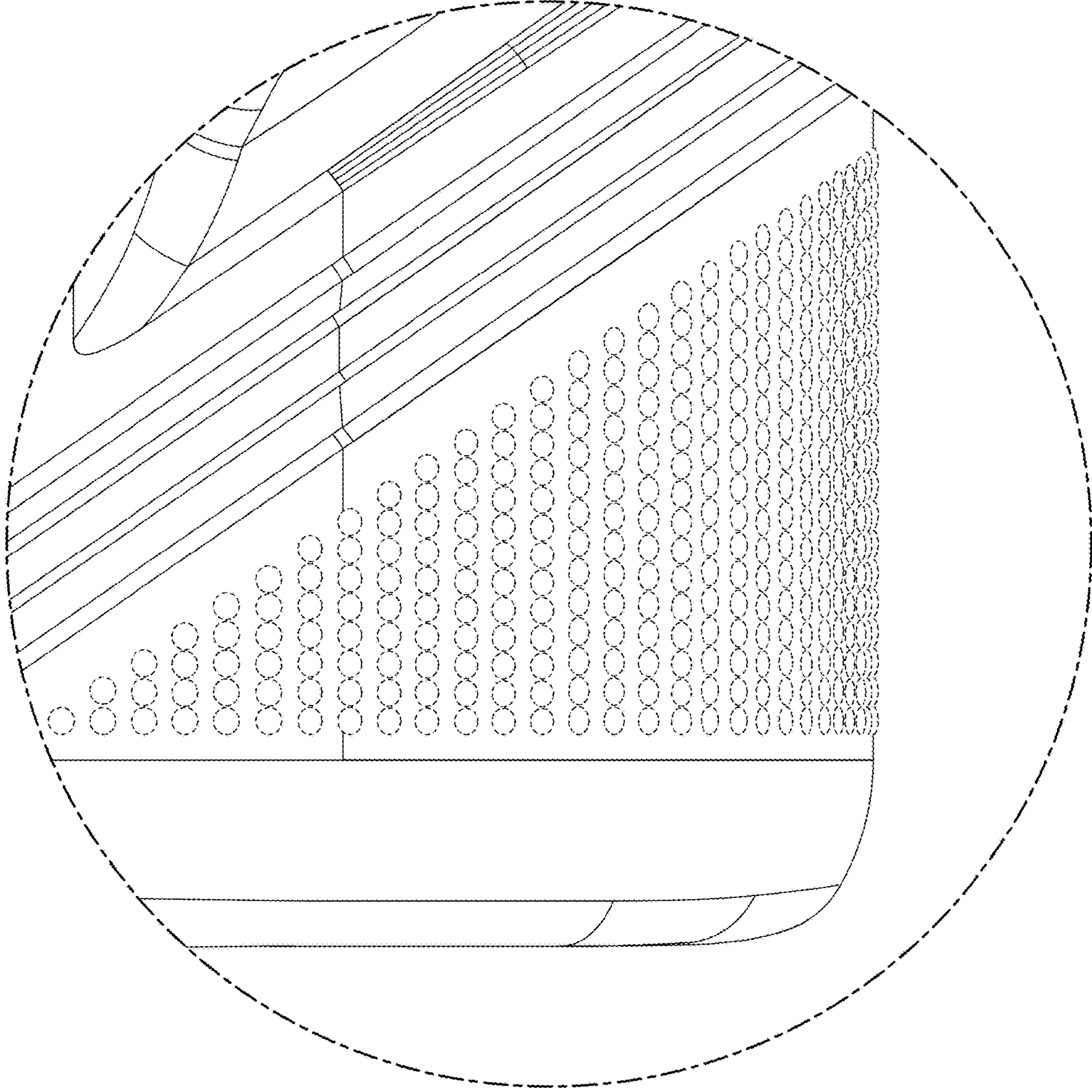


FIG. 4

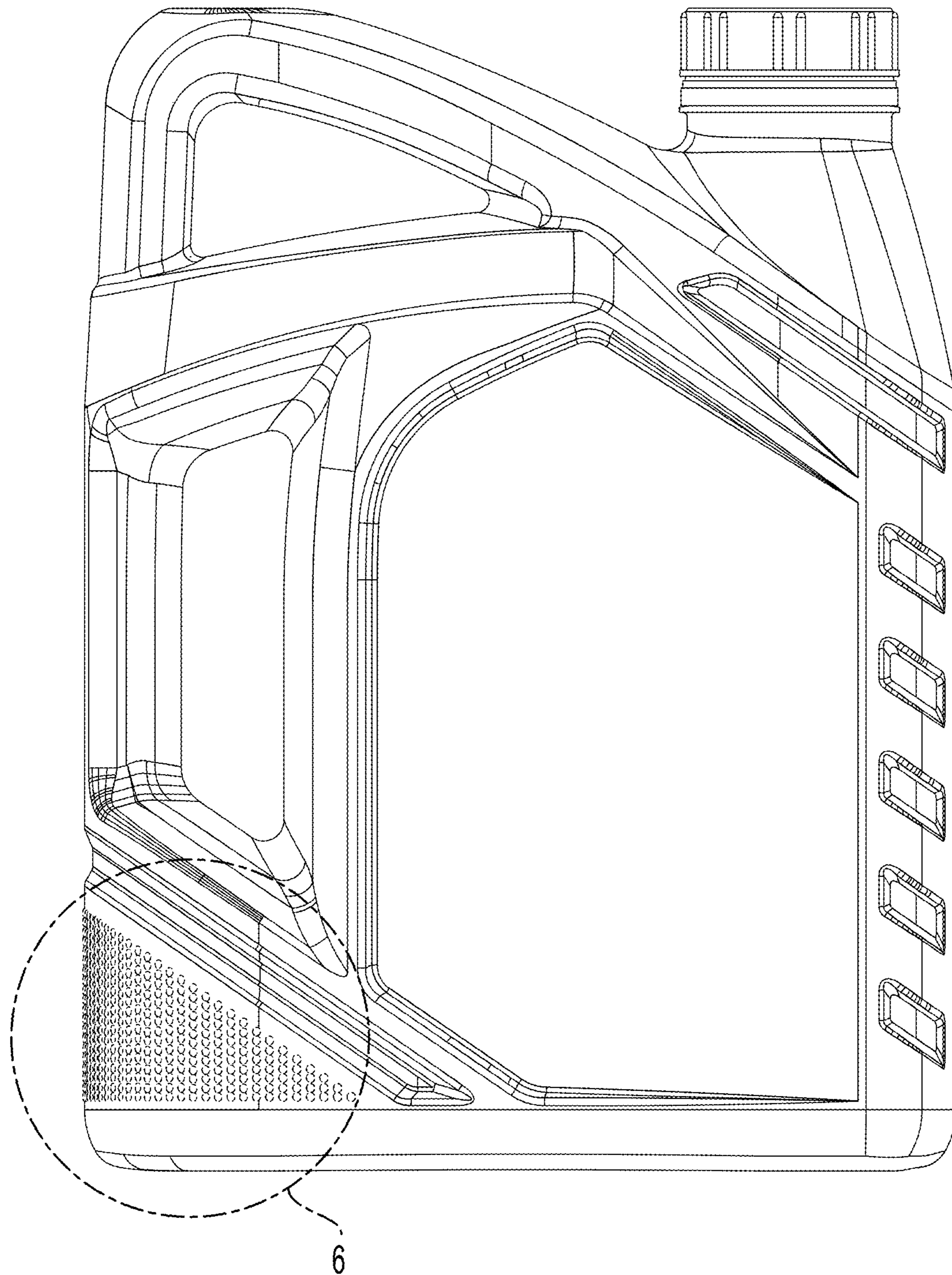


FIG. 5

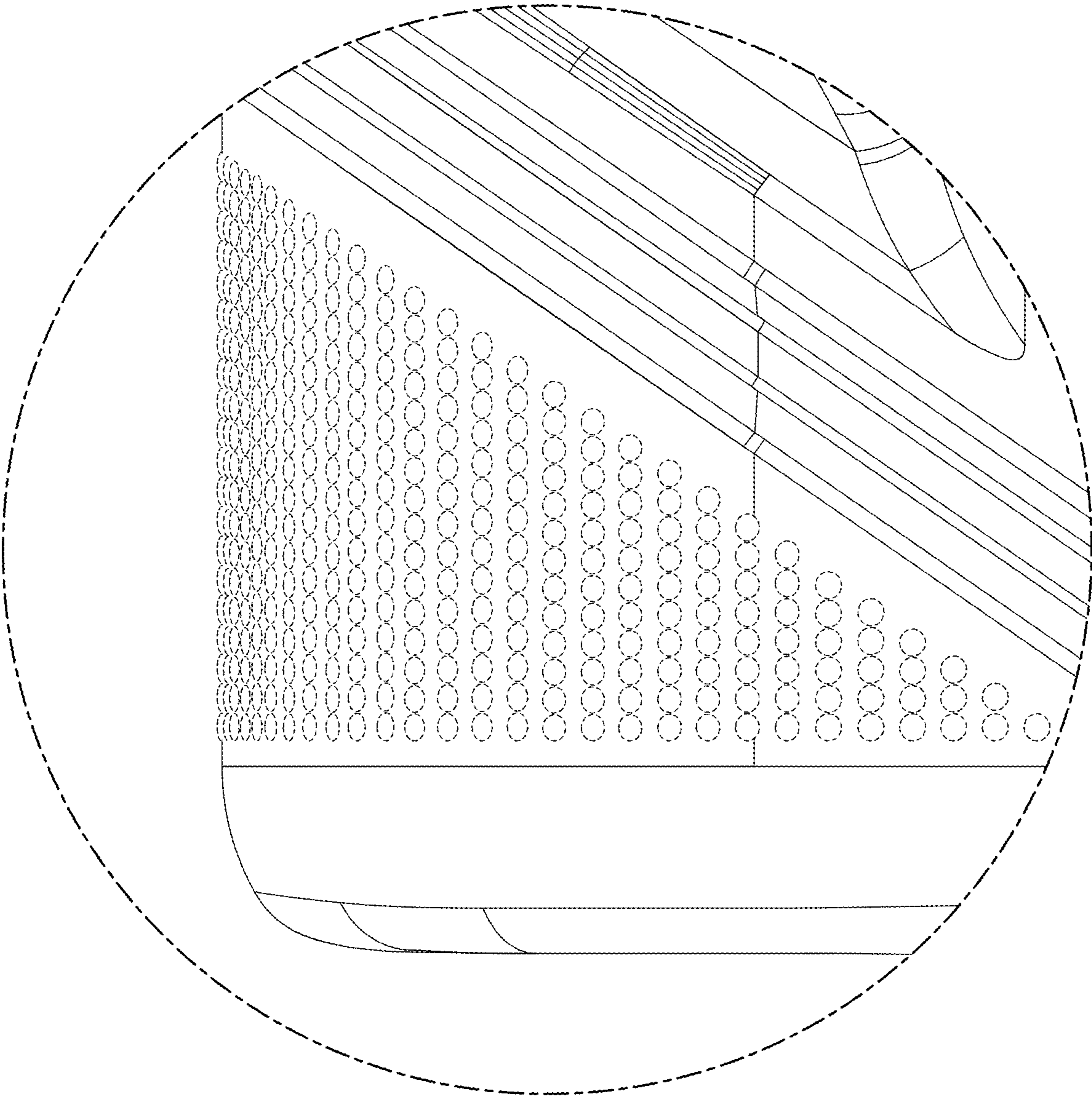


FIG. 6

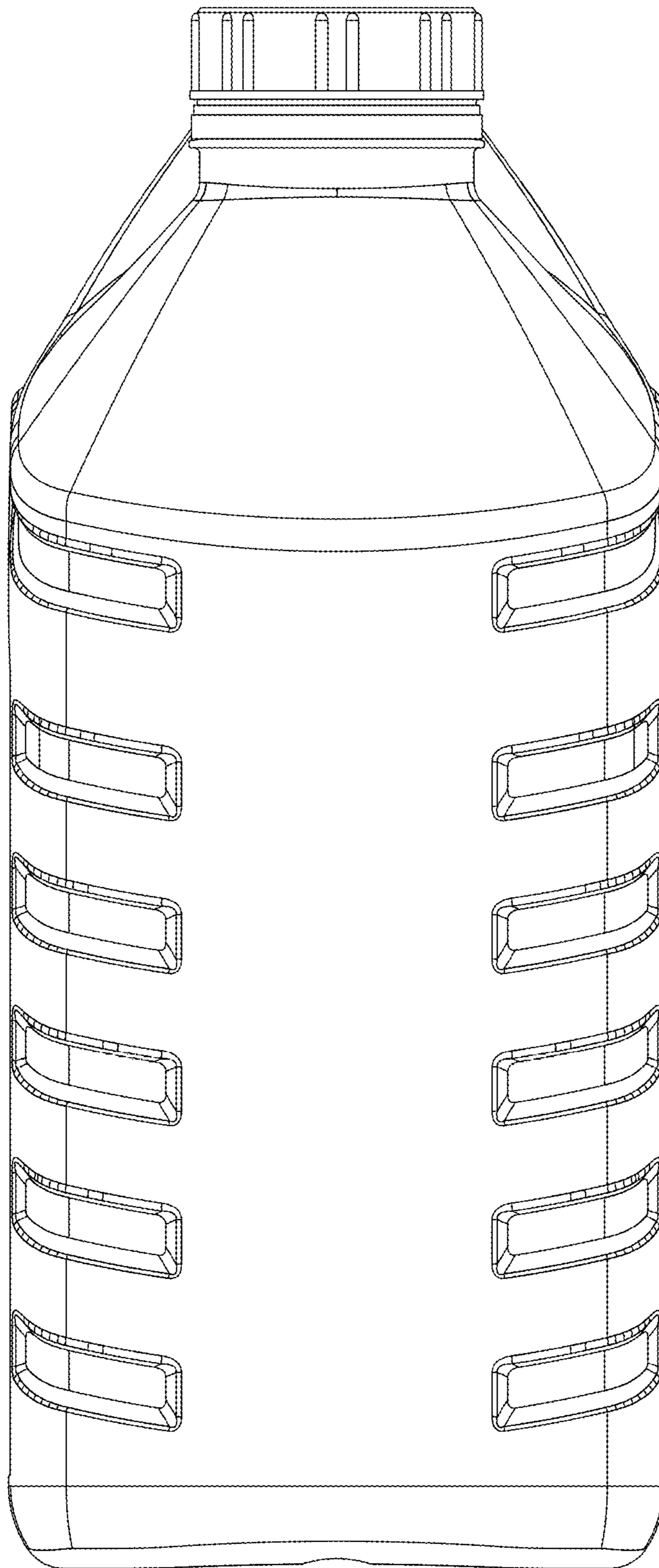


FIG. 7

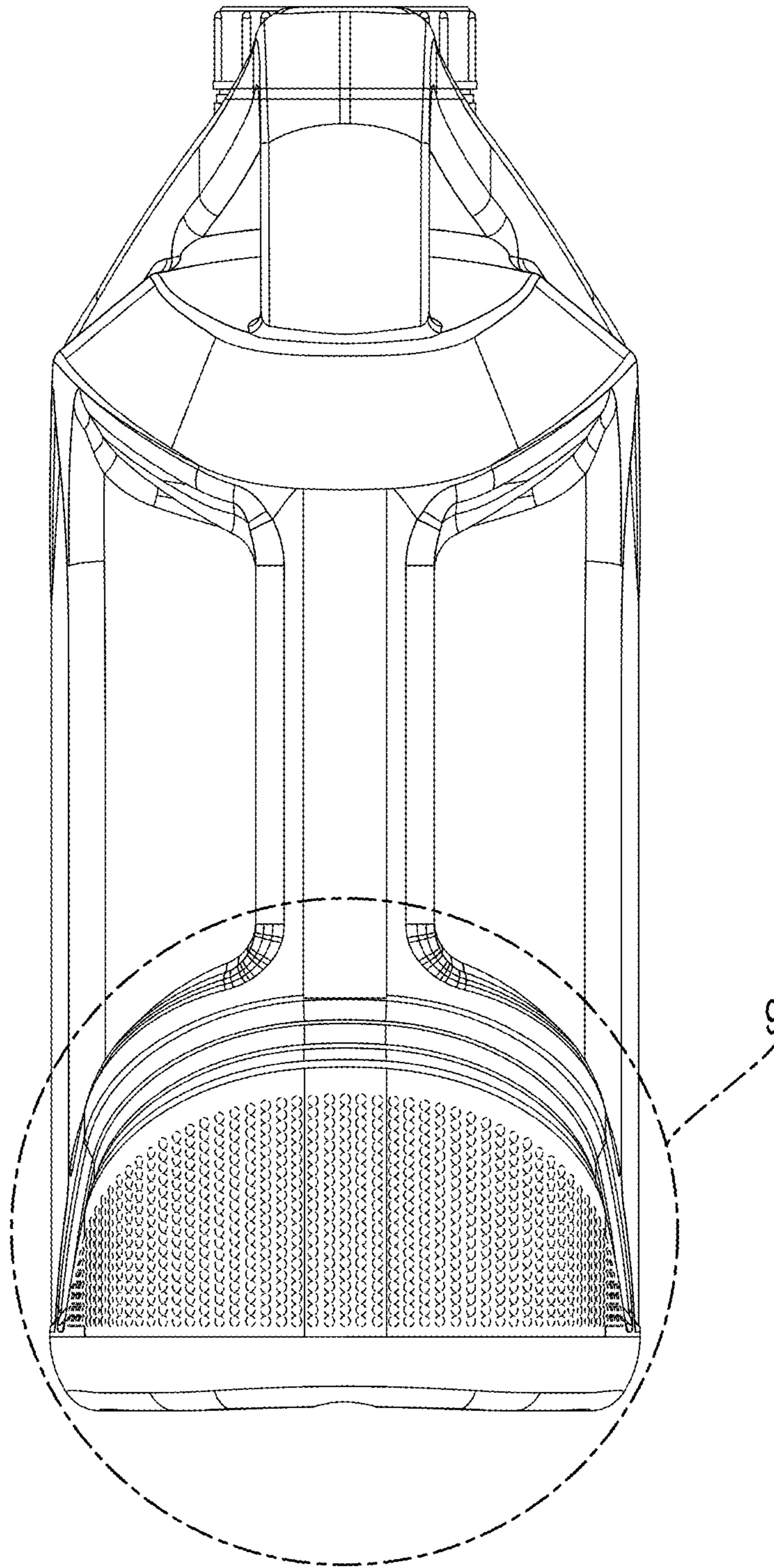


FIG. 8

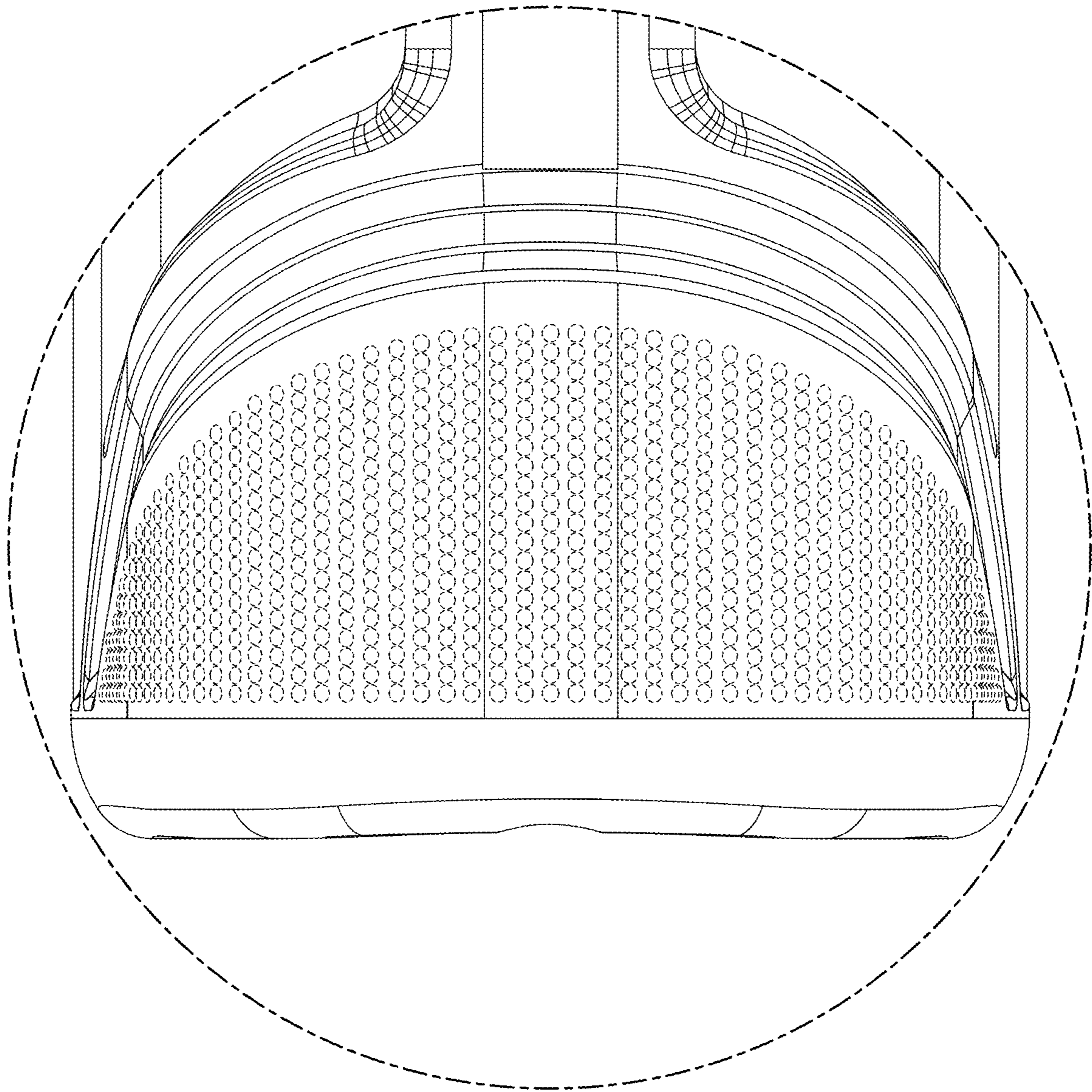


FIG. 9

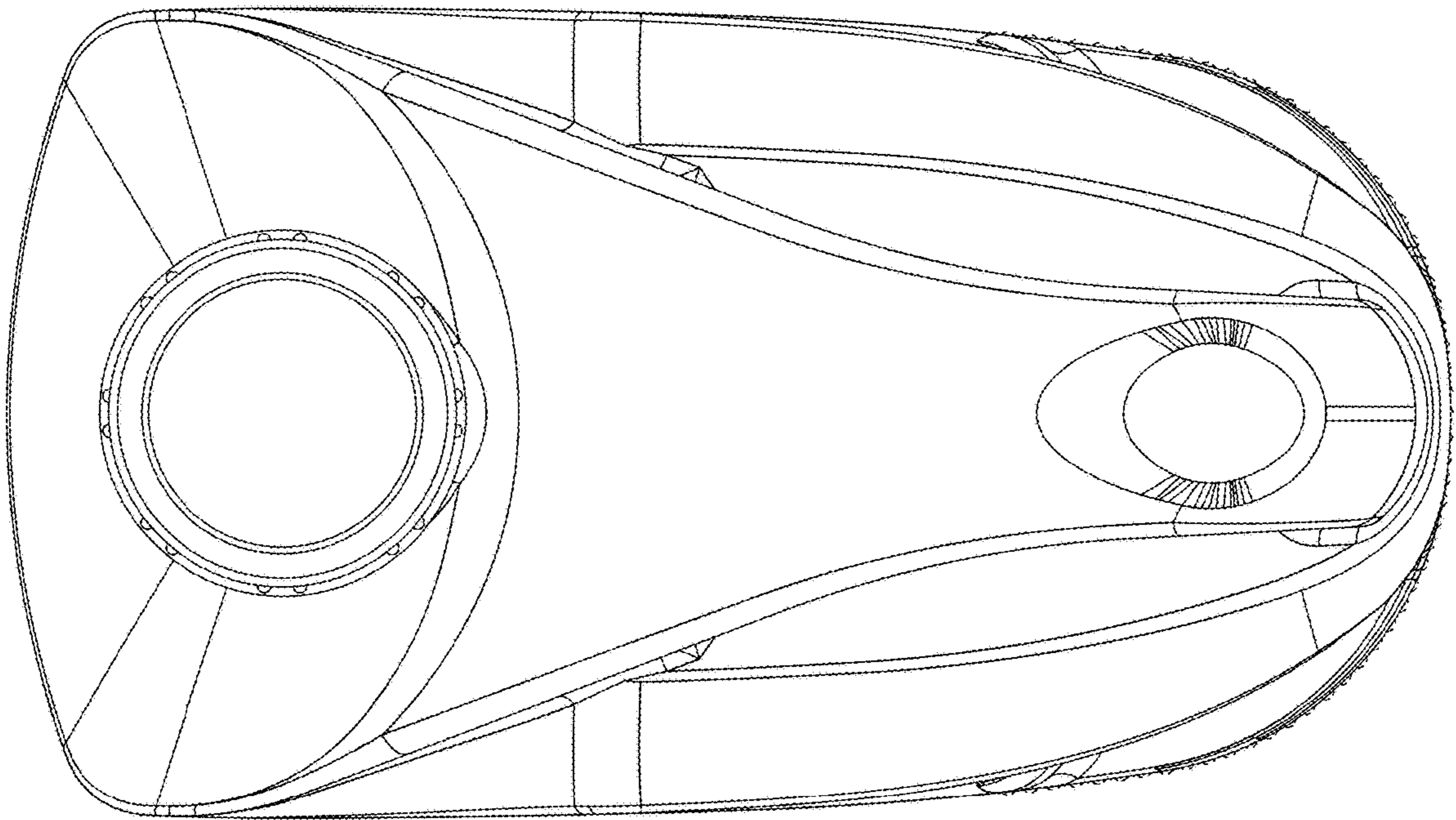


FIG. 10

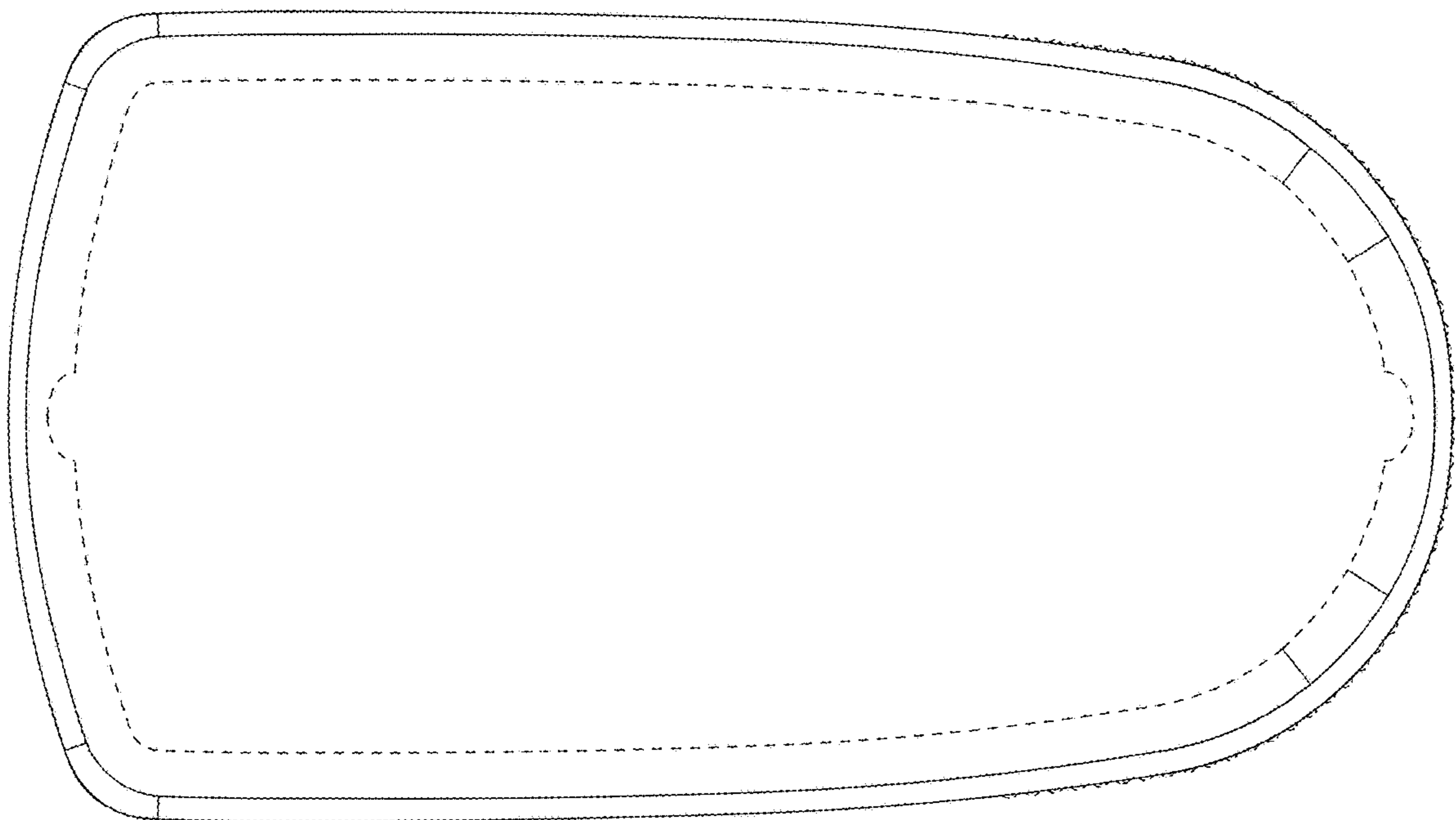


FIG. 11

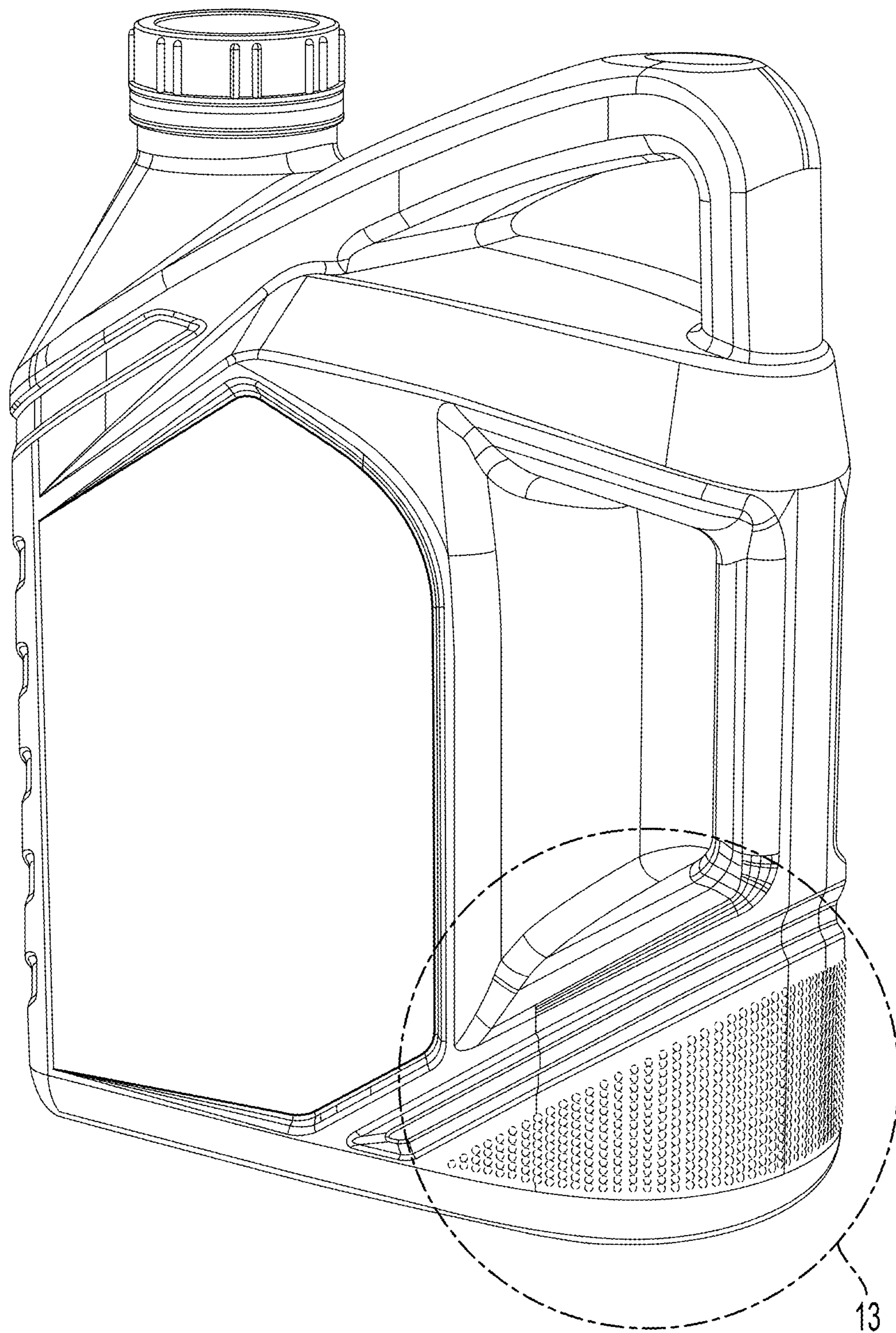


FIG. 12

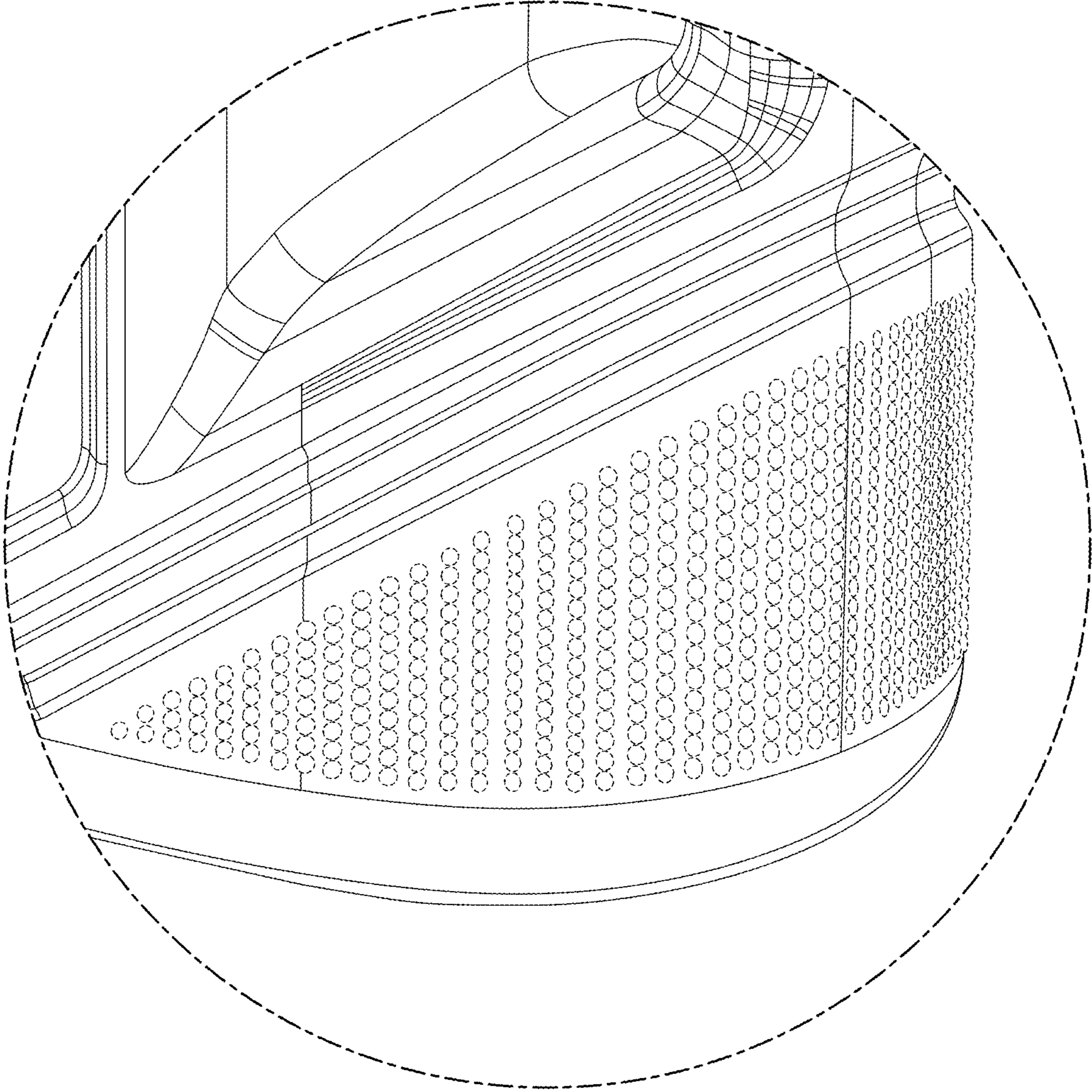


FIG. 13