



US00D839097S

(12) **United States Design Patent**  
**Annetts et al.**

(10) **Patent No.:** **US D839,097 S**  
(45) **Date of Patent:** **\*\* Jan. 29, 2019**

- (54) **JAR**
- (71) Applicant: **CONOPCO INC.**, Englewood Cliffs, NJ (US)
- (72) Inventors: **David Gary Annetts**, London (GB); **Philip Nigel Bordet-Stead**, London (GB); **Luke John Burley**, London (GB); **Benjamin Sean Davey**, London (GB); **Craig Glass**, St. Albans (GB)
- (73) Assignee: **CONOPCO INC.**, Englewood Cliffs, NJ (US)
- (\*\*) Term: **15 Years**
- (21) Appl. No.: **29/623,855**
- (22) Filed: **Oct. 27, 2017**

**Related U.S. Application Data**

- (62) Division of application No. 35/501,386, filed on Feb. 8, 2016 (U.S. filing date under 35 U.S.C. 384), and having an international filing date of Feb. 8, 2016, now Pat. No. Des. 813,044.

(30) **Foreign Application Priority Data**

Aug. 25, 2015 (EM) ..... 002760207-0001  
 Aug. 25, 2015 (EM) ..... 002760207-0002

- (51) **LOC (11) Cl.** ..... **09-01**
- (52) **U.S. Cl.**  
USPC ..... **D9/516; D9/552**
- (58) **Field of Classification Search**  
USPC ..... D9/500, 502, 516, 530, 537, 539, 542, D9/549, 763-783; 215/381-385; 220/660, 669, 675; D7/601, 602, 612, D7/615, 630  
CPC ... B65D 1/00; B65D 1/02; B65D 1/12; B65D 1/14; B65D 1/40; B65D 1/44; B65D 1/023; B65D 1/0223; B65D 1/165; B65D 1/238; B65D 1/246; B65D 1/253; B65D

7/04; B65D 21/0209; B65D 21/0233; B65D 25/00; B65D 25/28; B65D 41/0457; B65D 41/17; B65D 53/06; B65D 75/56; B65D 79/005; B65D 2501/0036; B65D 2543/00064; B65D 2543/00074; B65D 2543/00083; B65D 2543/00092; B65D 2543/00101; B65D 2543/00111

See application file for complete search history.

(56) **References Cited**

U.S. PATENT DOCUMENTS

D99,839 S *	5/1936	Hires, Jr. ....	D9/552
D104,881 S *	6/1937	Rosengart .....	604/301
D188,138 S *	6/1960	Bindman .....	D9/552
D404,311 S *	1/1999	Zimmer .....	D9/552
D412,849 S	8/1999	Fuquen et al.	
D451,025 S	11/2001	Meeker et al.	
D474,407 S	5/2003	Lovelace, Jr. et al.	
D481,635 S	11/2003	Lovelace, Jr. et al.	
D515,132 S	2/2006	Todd	
D528,004 S	9/2006	Ratzlaff	
D532,314 S	11/2006	Todd	

(Continued)

*Primary Examiner* — Keli L Hill

(74) *Attorney, Agent, or Firm* — Foley & Lardner LLP

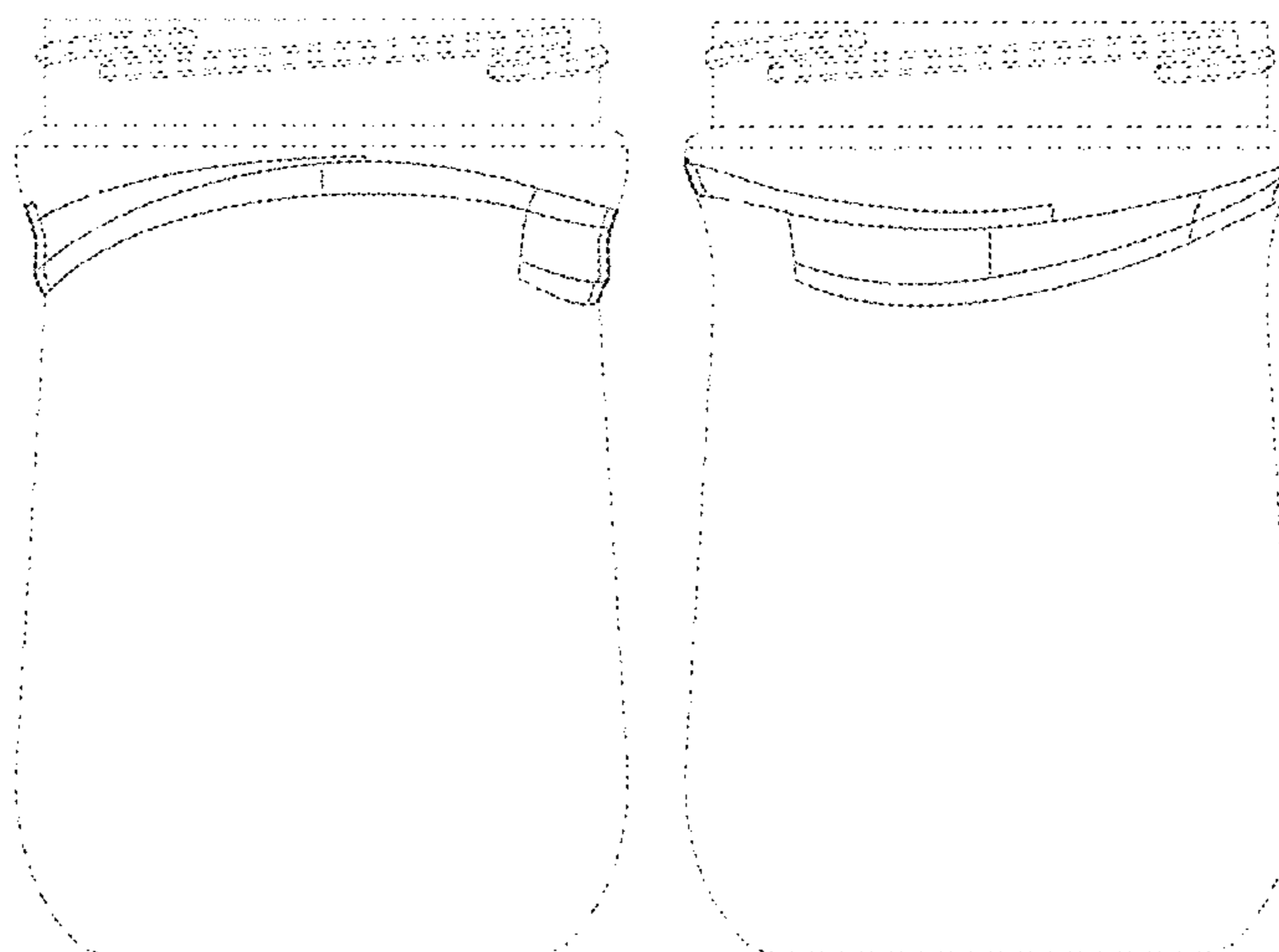
(57) **CLAIM**

The ornamental design for a jar, as shown and described.

**DESCRIPTION**

FIG. 1 is a top perspective view of the claimed design;  
 FIG. 2 is a front view thereof;  
 FIG. 3 is a rear view thereof;  
 FIG. 4 is a right side view thereof;  
 FIG. 5 is a left side view thereof;  
 FIG. 6 is a top view thereof; and,  
 FIG. 7 is a bottom view thereof.

**1 Claim, 7 Drawing Sheets**



(56)

**References Cited**

U.S. PATENT DOCUMENTS

D602,357 S	10/2009	Serrano Diaz	
D663,625 S *	7/2012	Warneke .....	D9/539
D668,509 S	10/2012	Beugelsdijk et al.	
D672,649 S	12/2012	Cummings et al.	
D690,597 S	10/2013	Cummings et al.	
D703,056 S	4/2014	Yourist	
D738,734 S *	9/2015	Cripe .....	D9/538
D739,735 S	9/2015	Darling et al.	
D743,258 S	11/2015	Panza	
D756,789 S	5/2016	Darling et al.	
D760,591 S	7/2016	Groglopo Favetto et al.	
D773,301 S	12/2016	Li	
D773,308 S *	12/2016	Beckerman .....	D9/444
D774,828 S *	12/2016	Miller .....	D7/523
D782,317 S *	3/2017	Zhou .....	D9/520
D786,678 S	5/2017	Pritulin-Citerne	
D813,044 S *	3/2018	Annetts .....	D9/539
2009/0223967 A1	9/2009	Mengeu et al.	

\* cited by examiner

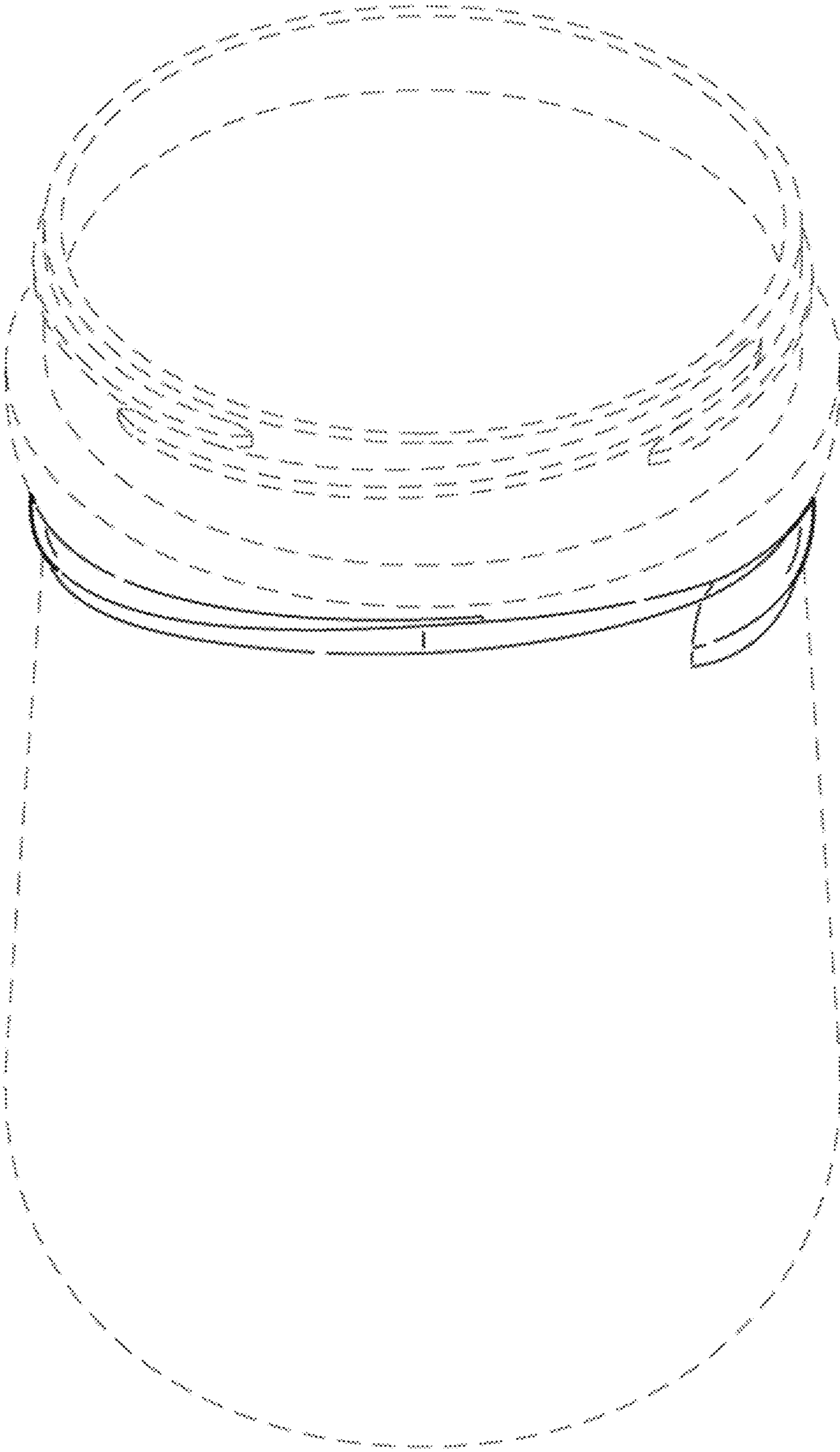


FIG. 1

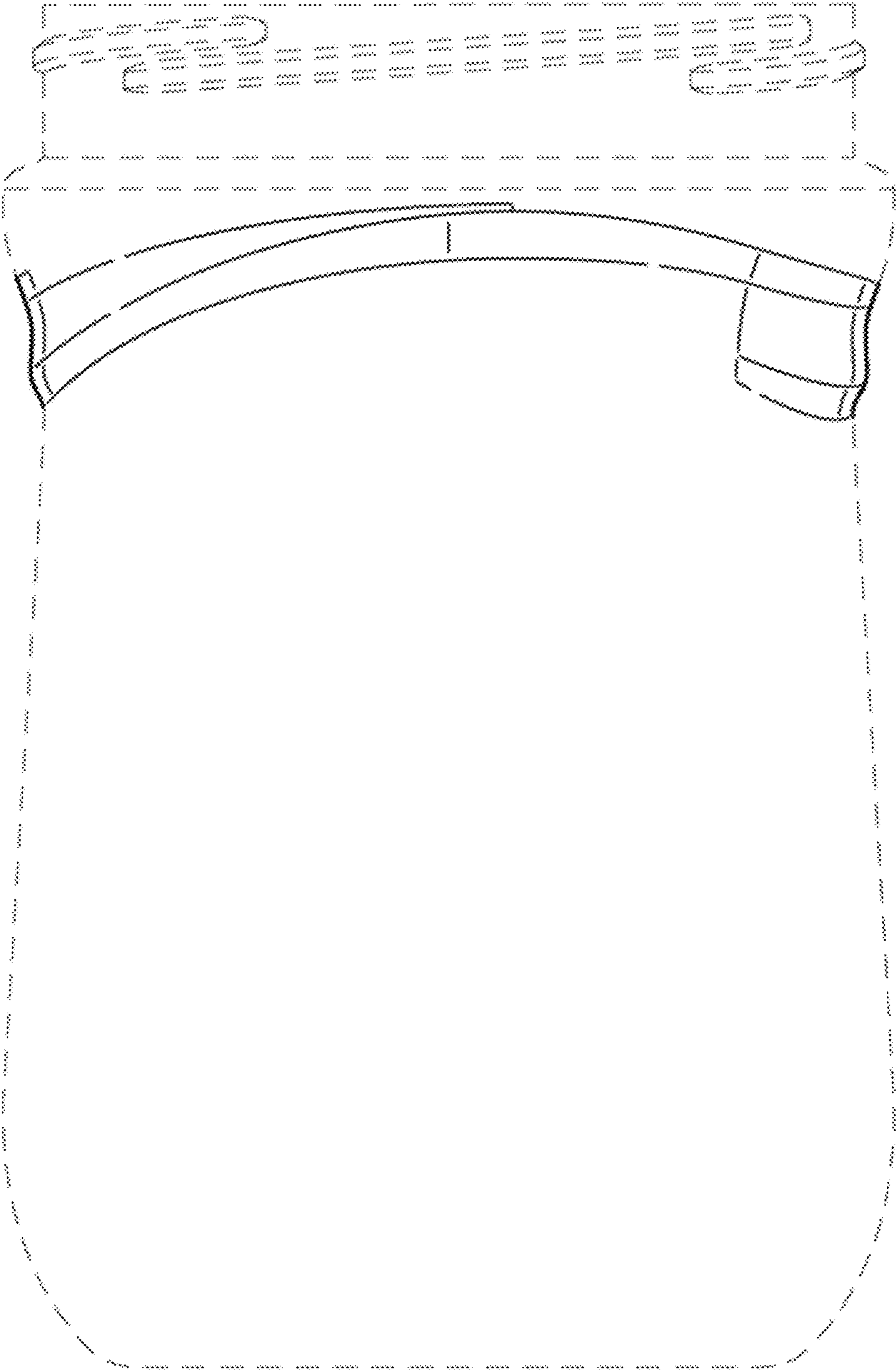


FIG. 2

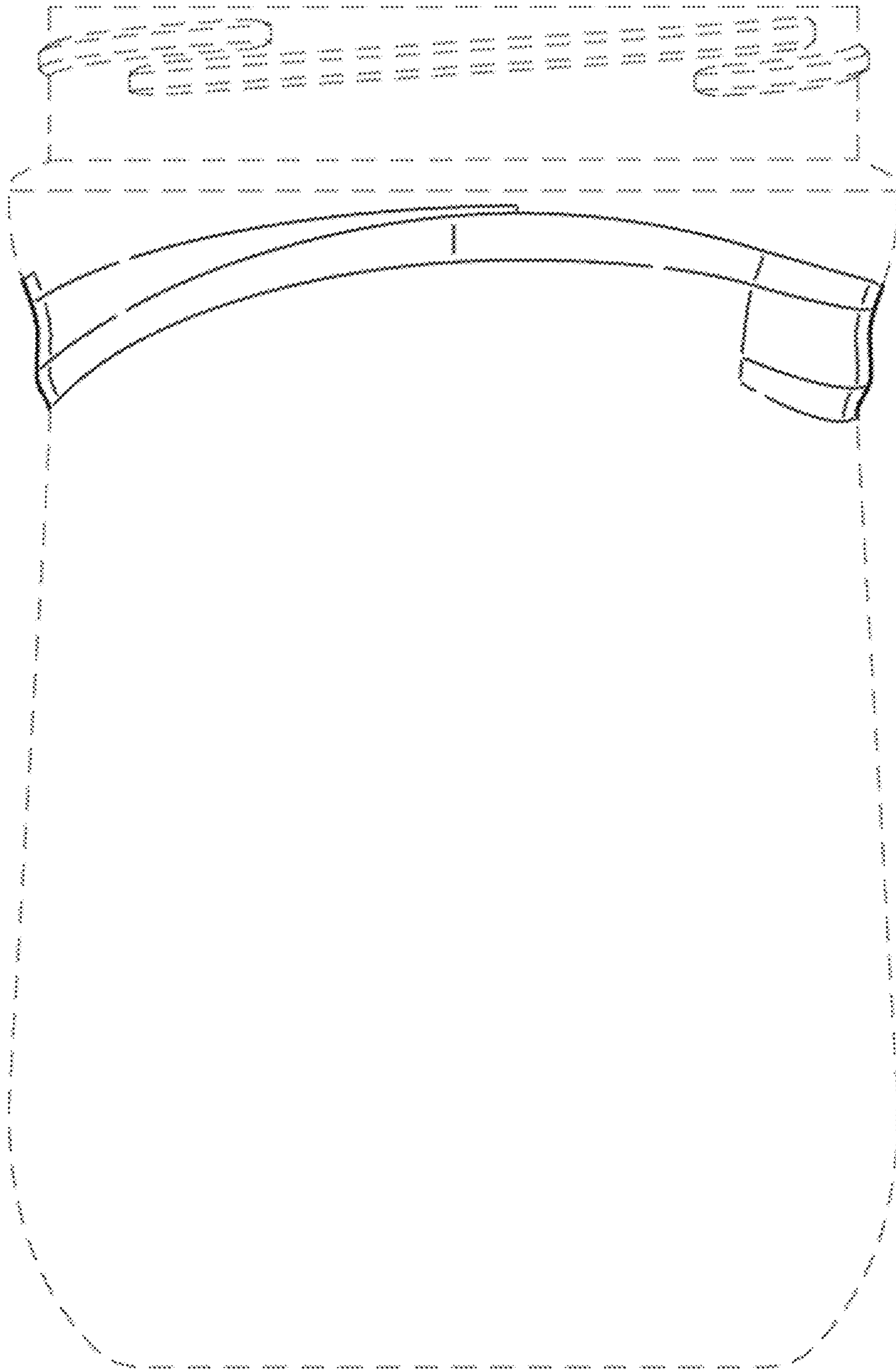


FIG. 3

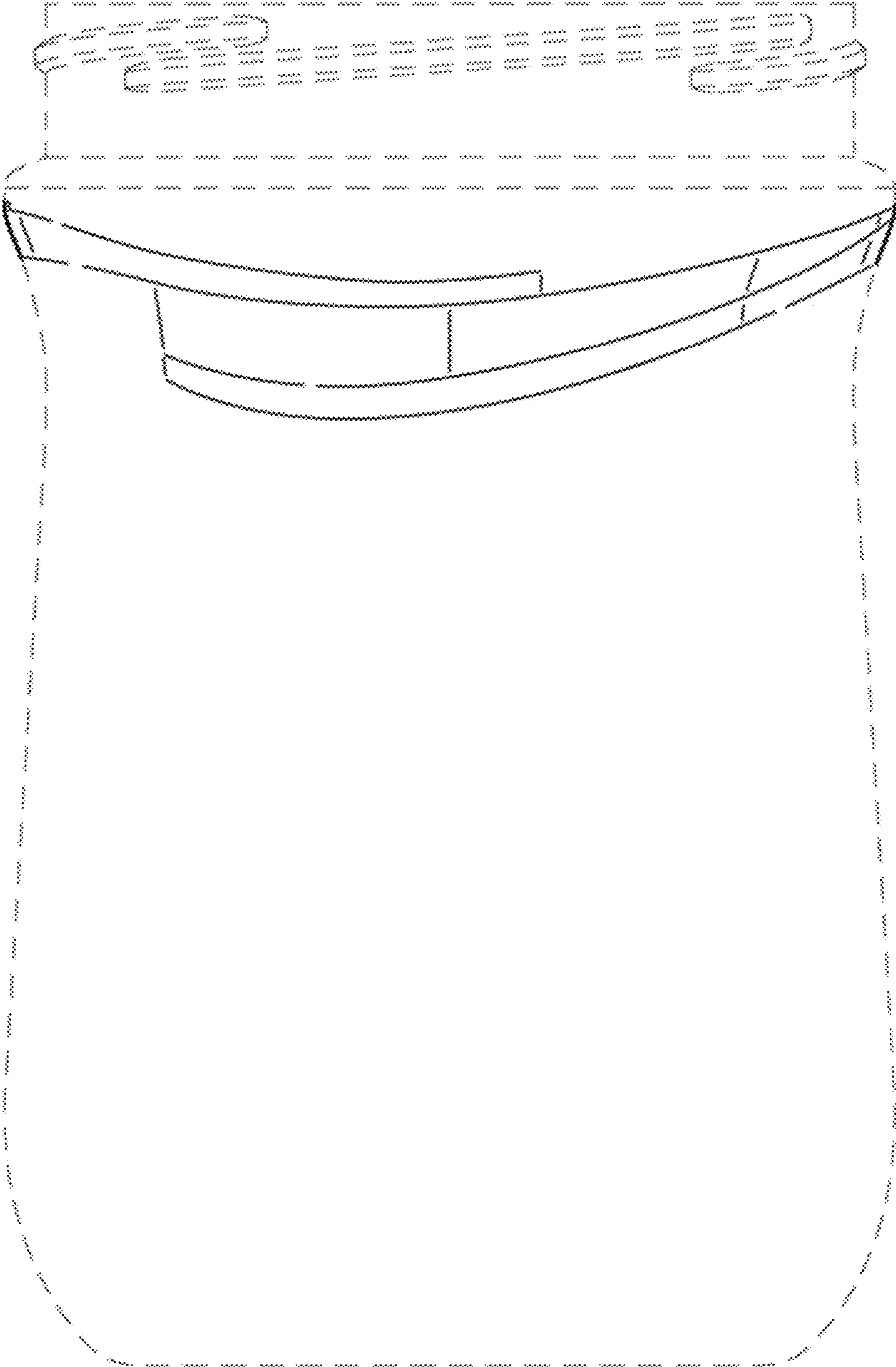


FIG. 4

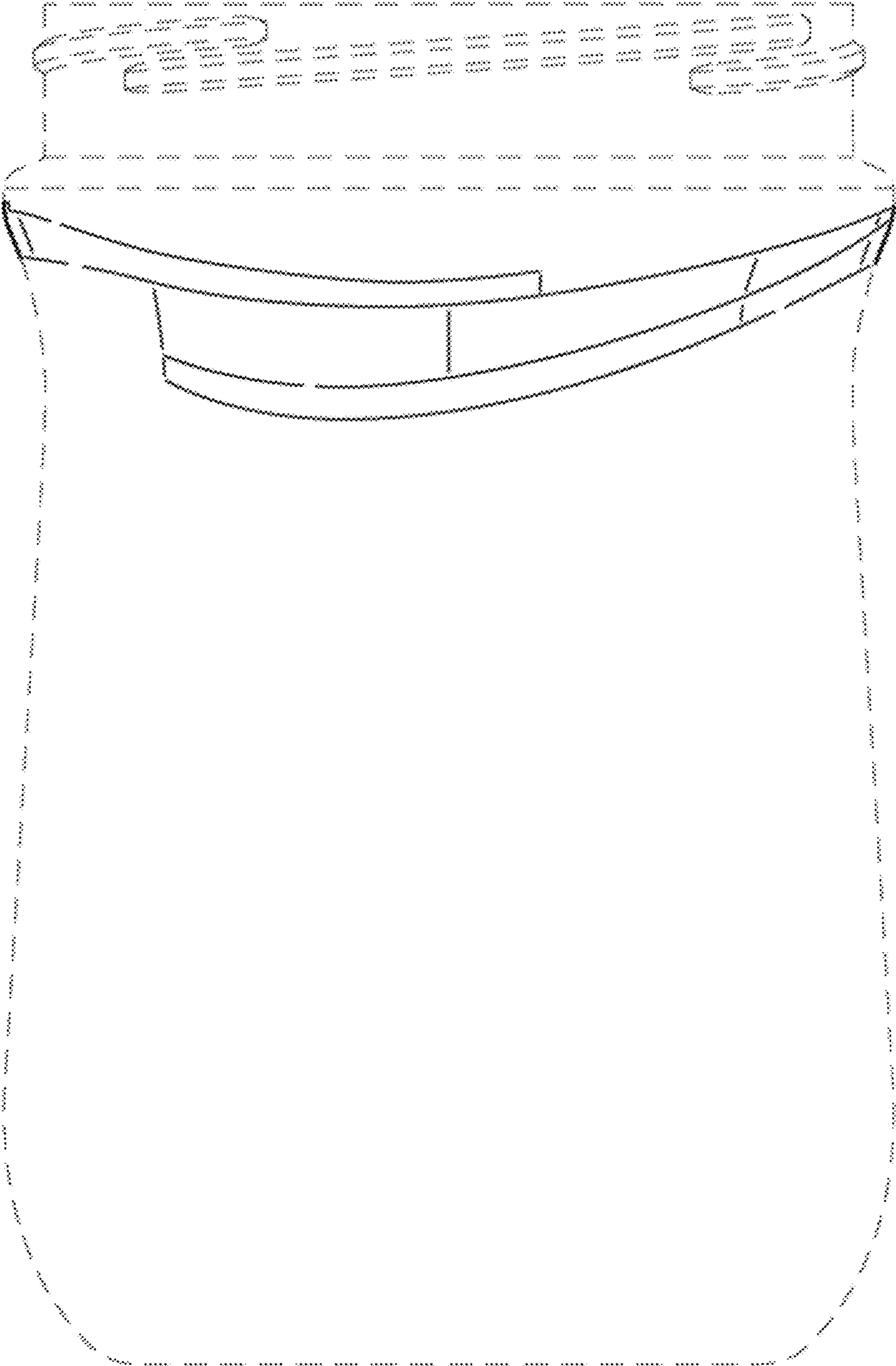


FIG. 5

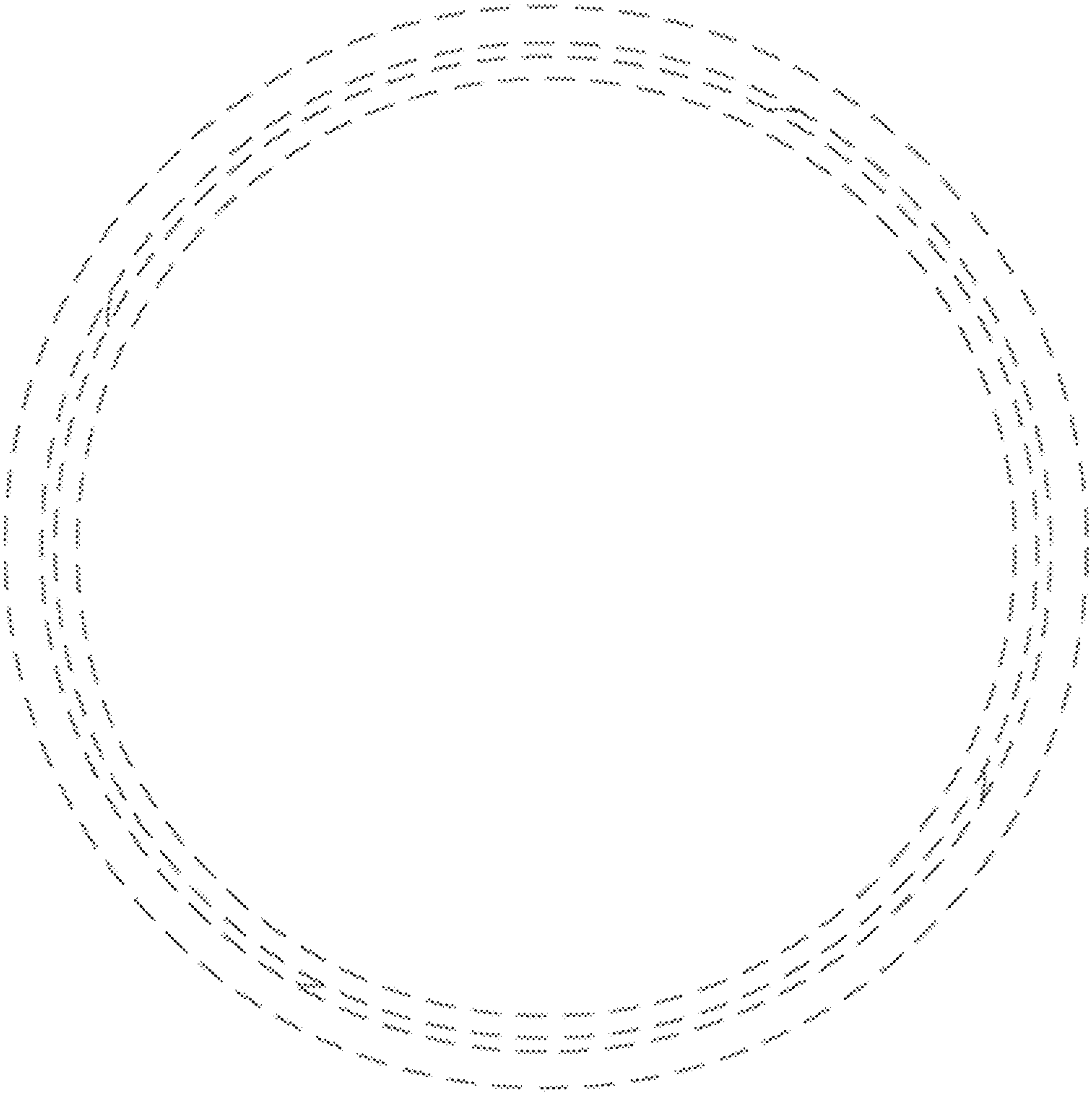


FIG. 6



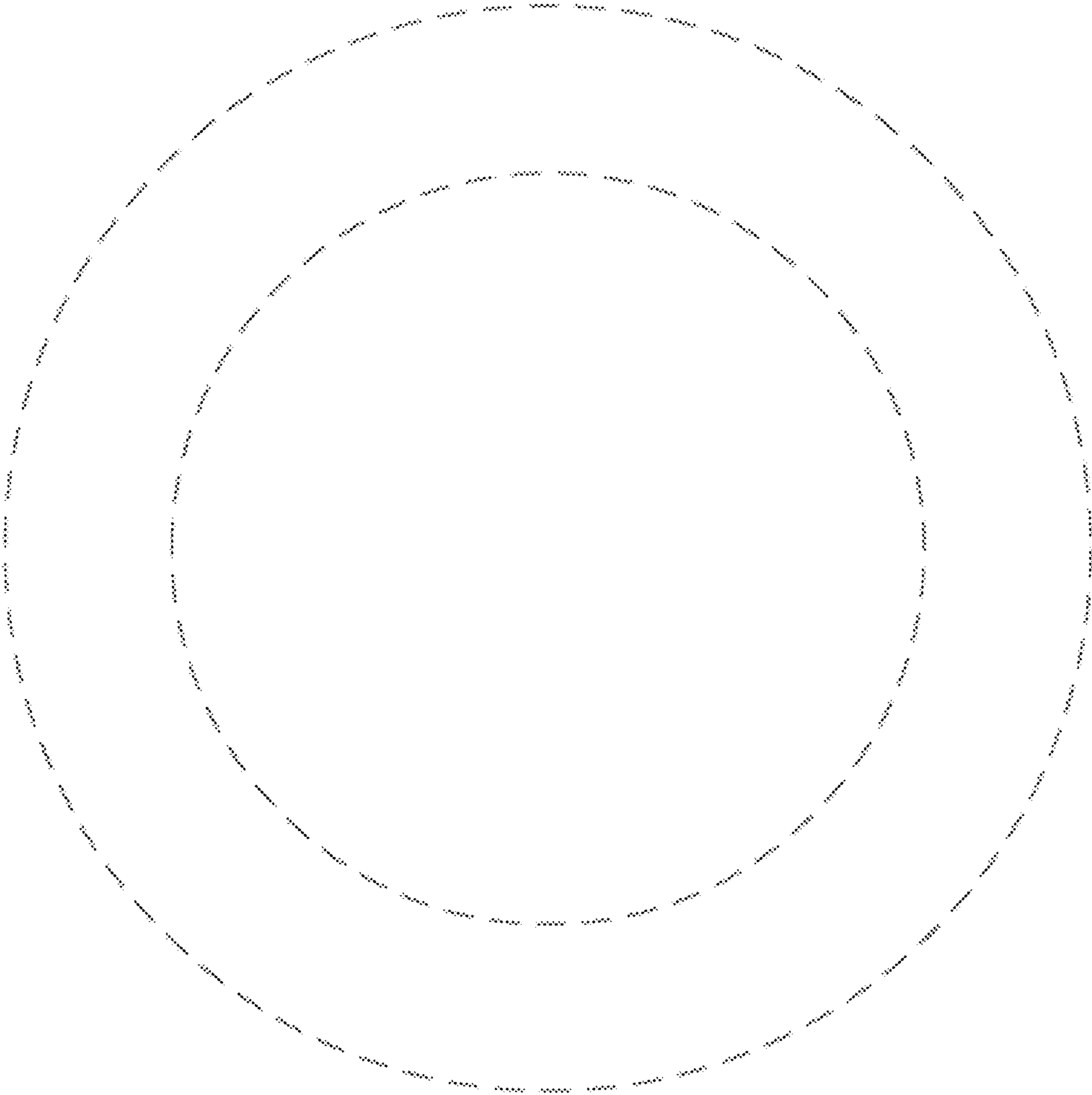


FIG. 7