



US00D839096S

(12) **United States Design Patent**
Fux et al.

(10) **Patent No.:** **US D839,096 S**
(45) **Date of Patent:** **** Jan. 29, 2019**

- (54) **TRAVEL PILLOW CONTAINER**
- (71) Applicant: **Comfort Revolution, LLC**, West Long Branch, NJ (US)
- (72) Inventors: **Michael Fux**, Fort Lauderdale, FL (US); **Gloria Rubin**, Atlantic Highlands, NJ (US); **Christopher Webb**, West Windsor, NJ (US)
- (73) Assignee: **Comfort Revolution, LLC**, West Long Branch, NJ (US)
- (**) Term: **15 Years**
- (21) Appl. No.: **29/631,059**
- (22) Filed: **Dec. 27, 2017**
- (51) **LOC (11) Cl.** **09-03**
- (52) **U.S. Cl.**
USPC **D9/503**; D9/414; D9/521; D24/104
- (58) **Field of Classification Search**
USPC D9/414, 434-435, 454, 500, 503-504, D9/516, 521, 549, 558, 715; D3/205-206, 265; D24/104, 121; D27/190; D28/7, 8.1; D99/5, 24, 28, 99
CPC ... A61K 9/20; B65D 1/00; B65D 1/09; B65D 1/22; B65D 3/04; B65D 13/04
See application file for complete search history.

(56) **References Cited**

U.S. PATENT DOCUMENTS

2,102,885	A *	12/1937	Carroll	A45D 40/00 132/286
2,340,037	A *	1/1944	Zipper	A61J 3/071 206/530
2,349,430	A *	5/1944	Hiatt et al.	A61K 9/4816 106/170.5
D235,215	S *	5/1975	Larsen	D24/104
4,054,204	A	10/1977	Keeton		

4,281,763	A *	8/1981	Pace	A61J 3/072 206/530
4,393,974	A *	7/1983	Levesque	A45C 11/00 206/37
D284,411	S *	6/1986	Taylor, Jr.	D24/104
4,768,247	A	9/1988	Beier		
D349,238	S *	8/1994	Haber	D24/226
5,802,644	A	9/1998	Scheurer		
D516,923	S *	3/2006	Moore	D9/682
D536,700	S *	2/2007	Landau	D14/480.5
D541,049	S *	4/2007	Huang	D28/63
D571,044	S *	6/2008	Conte	D28/65
D584,961	S *	1/2009	Yakoby	D9/688
D585,298	S *	1/2009	Yakoby	D9/688
D594,332	S *	6/2009	Nerubay	D9/501
D631,537	S *	1/2011	Sadler	D24/101
7,870,960	B2	1/2011	Diliberto		
D638,739	S *	5/2011	Rockefeller	D11/1

(Continued)

Primary Examiner — Dana Meyrow

(74) *Attorney, Agent, or Firm* — Middleton Reutlinger

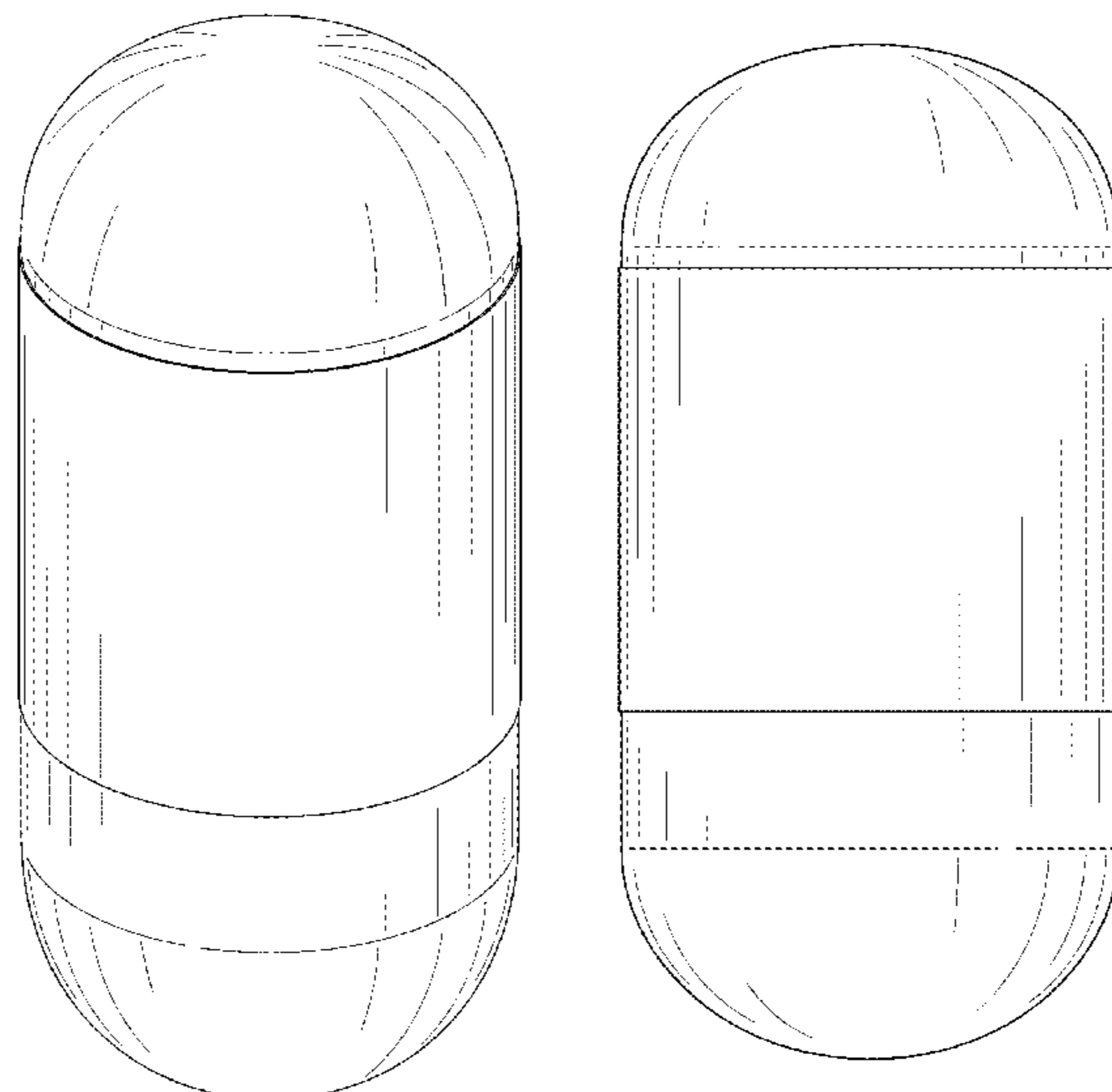
(57) **CLAIM**

The ornamental design for a travel pillow container, as shown and described.

DESCRIPTION

FIG. 1 is a perspective view of a travel pillow container, showing our new design;
 FIG. 2 is a front view of the travel pillow container shown in FIG. 1;
 FIG. 3 is a rear view of the travel pillow container shown in FIG. 1;
 FIG. 4 is a right side view of the travel pillow container shown in FIG. 1;
 FIG. 5 is a left side view of the travel pillow container shown in FIG. 1.
 FIG. 6 is a top plan view of the travel pillow container shown in FIG. 1; and,
 FIG. 7 is a bottom view of the travel pillow container shown in FIG. 1.

1 Claim, 4 Drawing Sheets



(56)

References Cited

U.S. PATENT DOCUMENTS

D639,696	S	*	6/2011	Smith	D11/1
D658,362	S	*	5/2012	Nassiri	D3/203.2
D667,176	S	*	9/2012	Crane	D24/104
8,387,185	B2		3/2013	Hasan et al.		
D691,480	S	*	10/2013	Shukla	D24/104
8,875,875	B2		11/2014	Fux		
8,875,876	B2		11/2014	Fux		
D725,490	S	*	3/2015	Grosso	D9/726
2011/0266188	A1		11/2011	Share et al.		

* cited by examiner

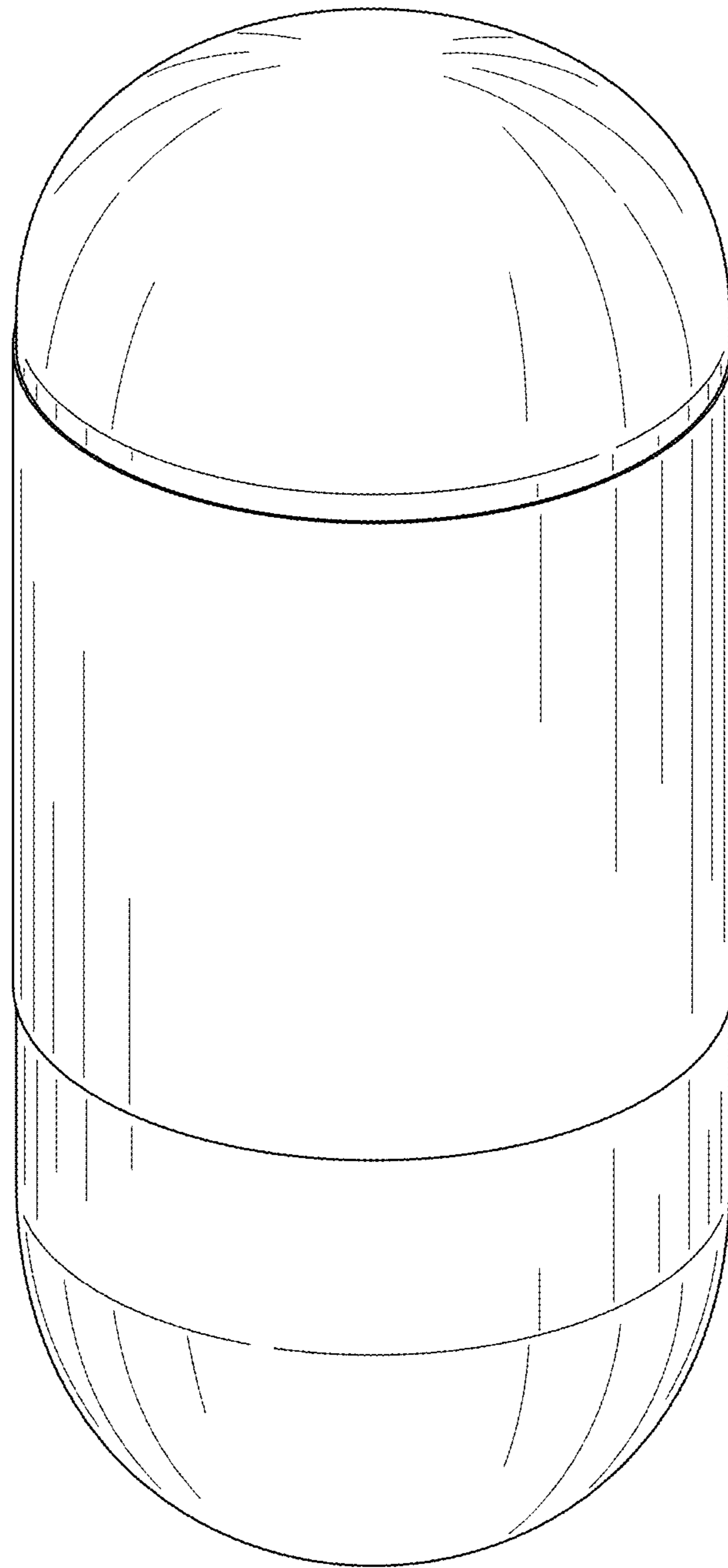


FIG. 1

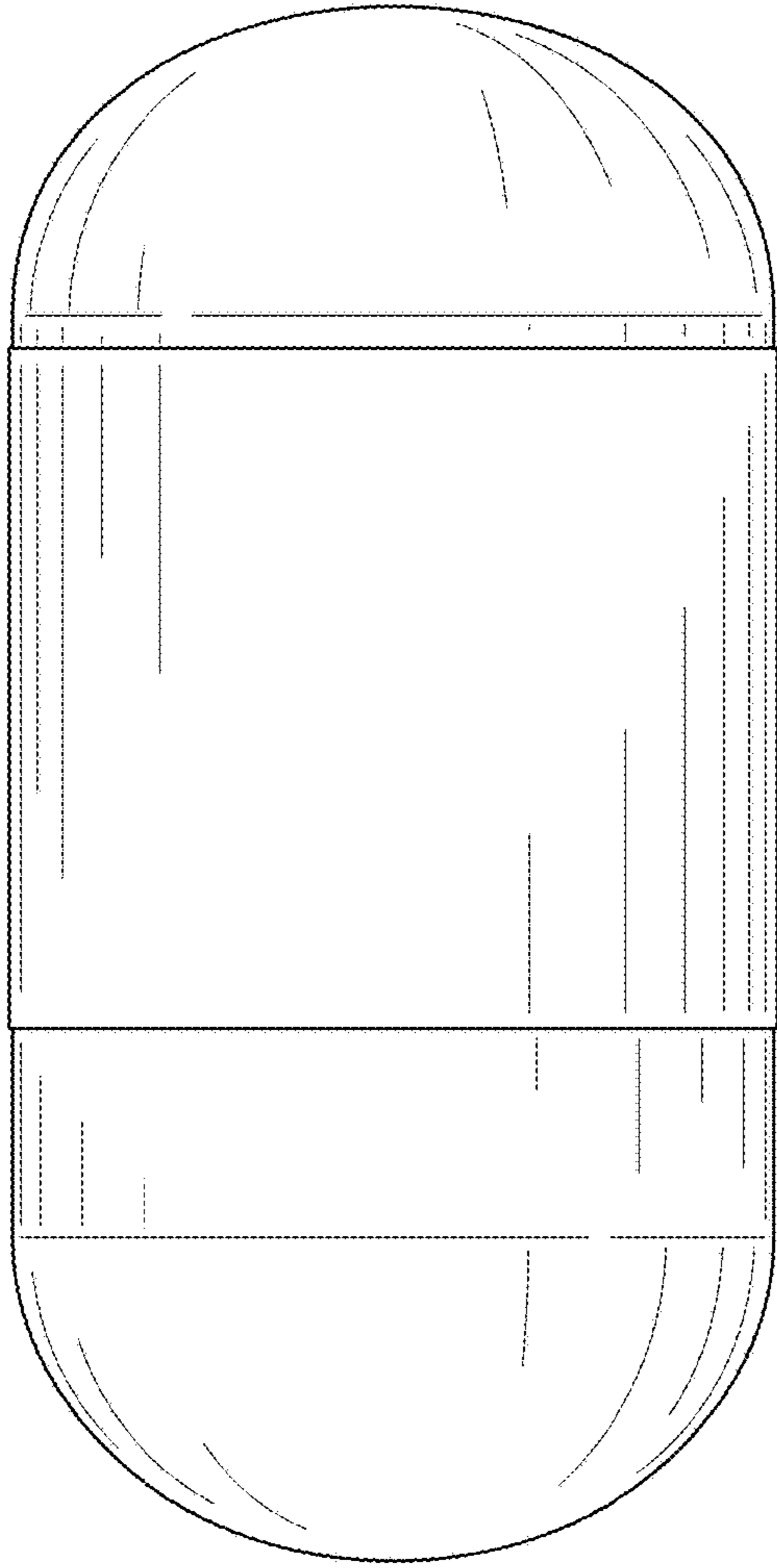


FIG. 2

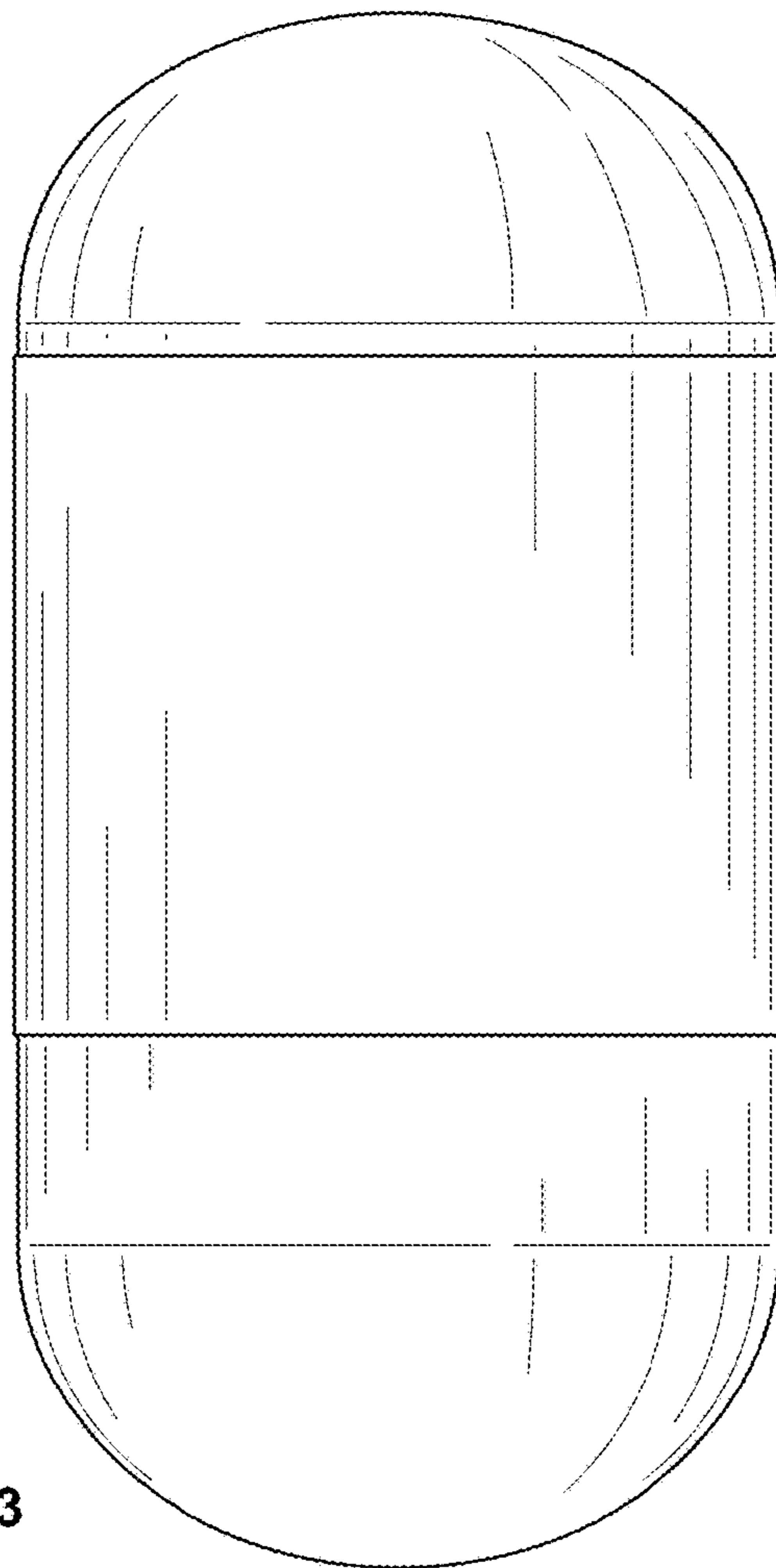


FIG. 3

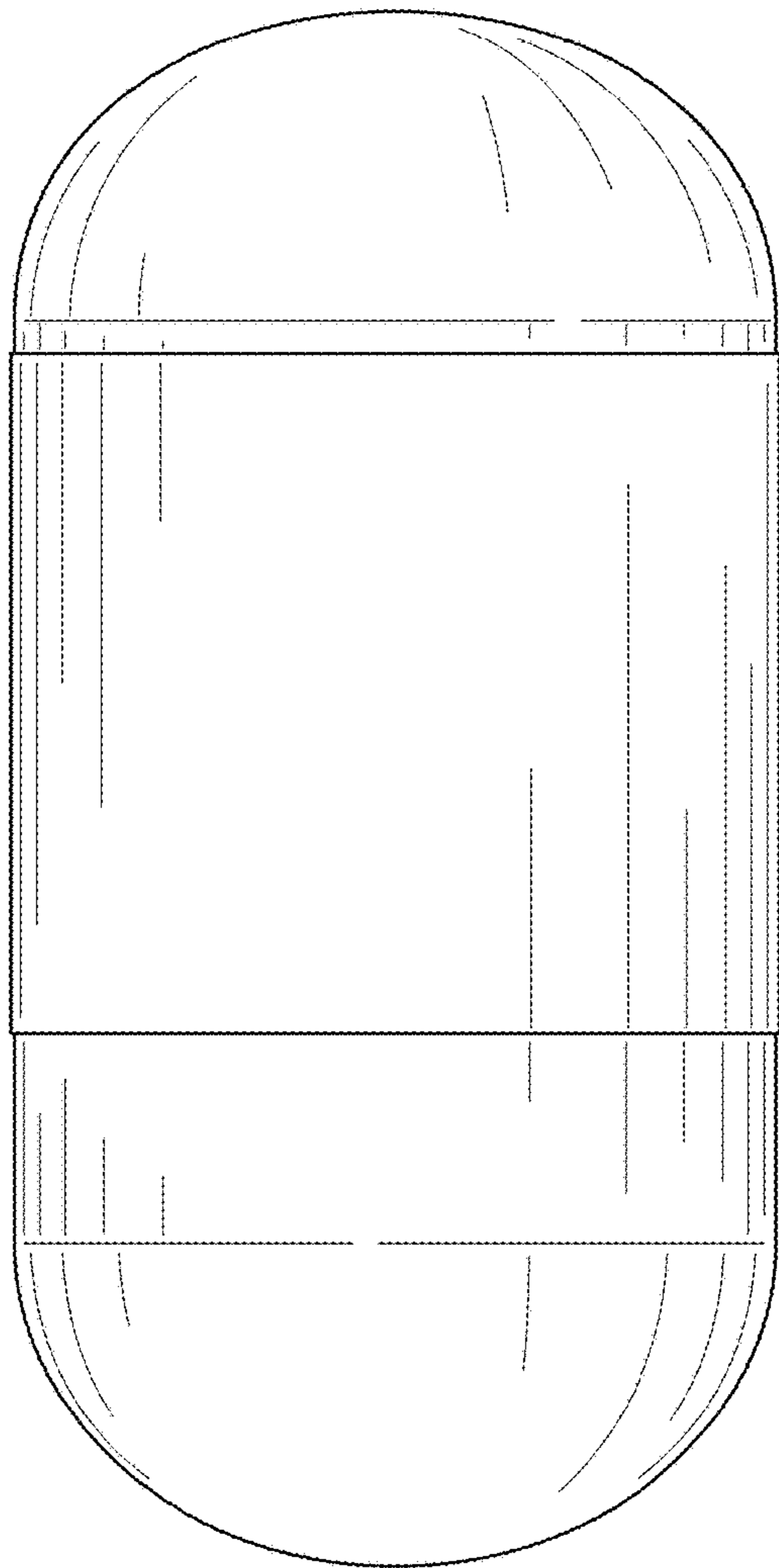


FIG. 4

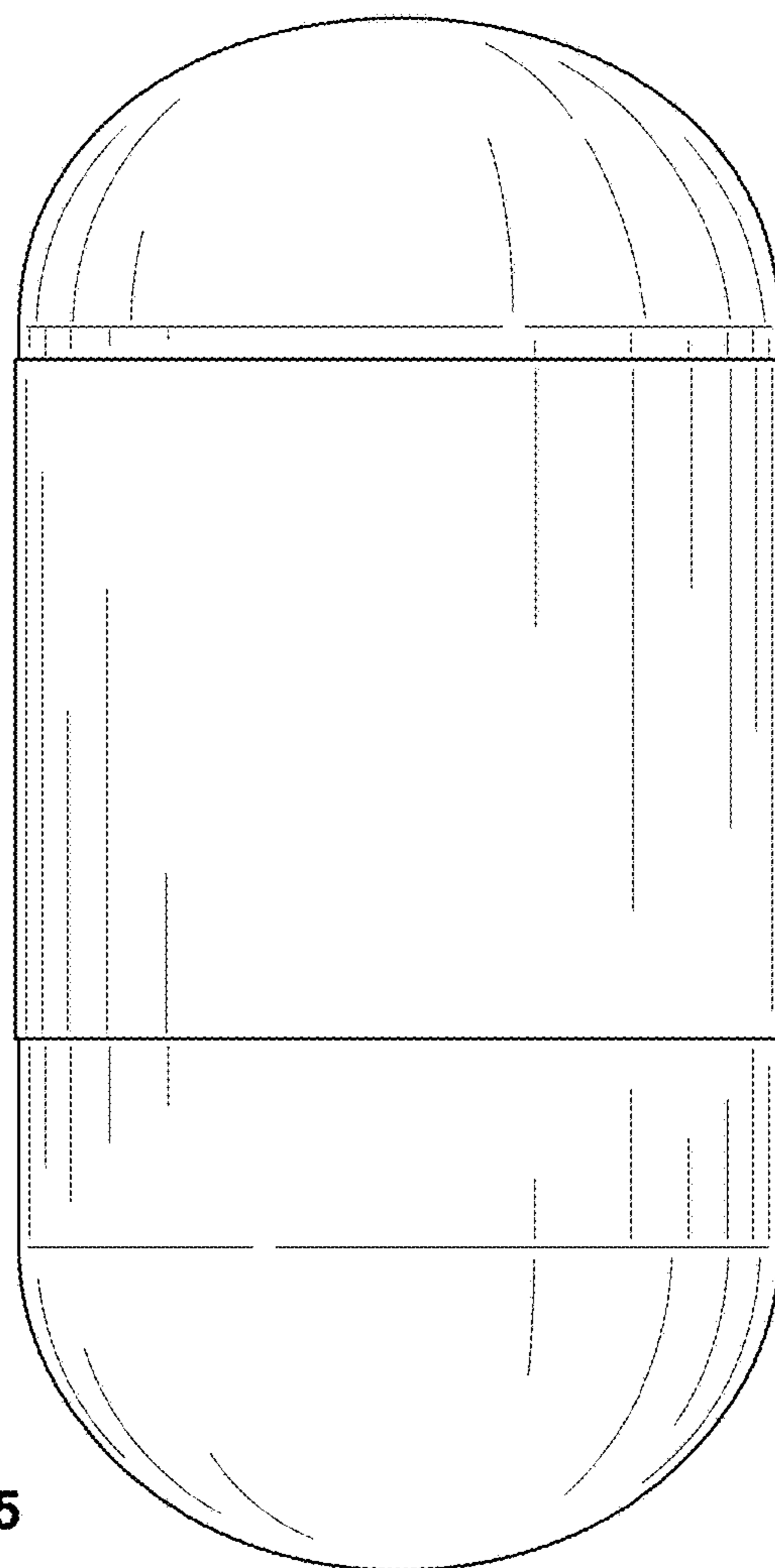


FIG. 5

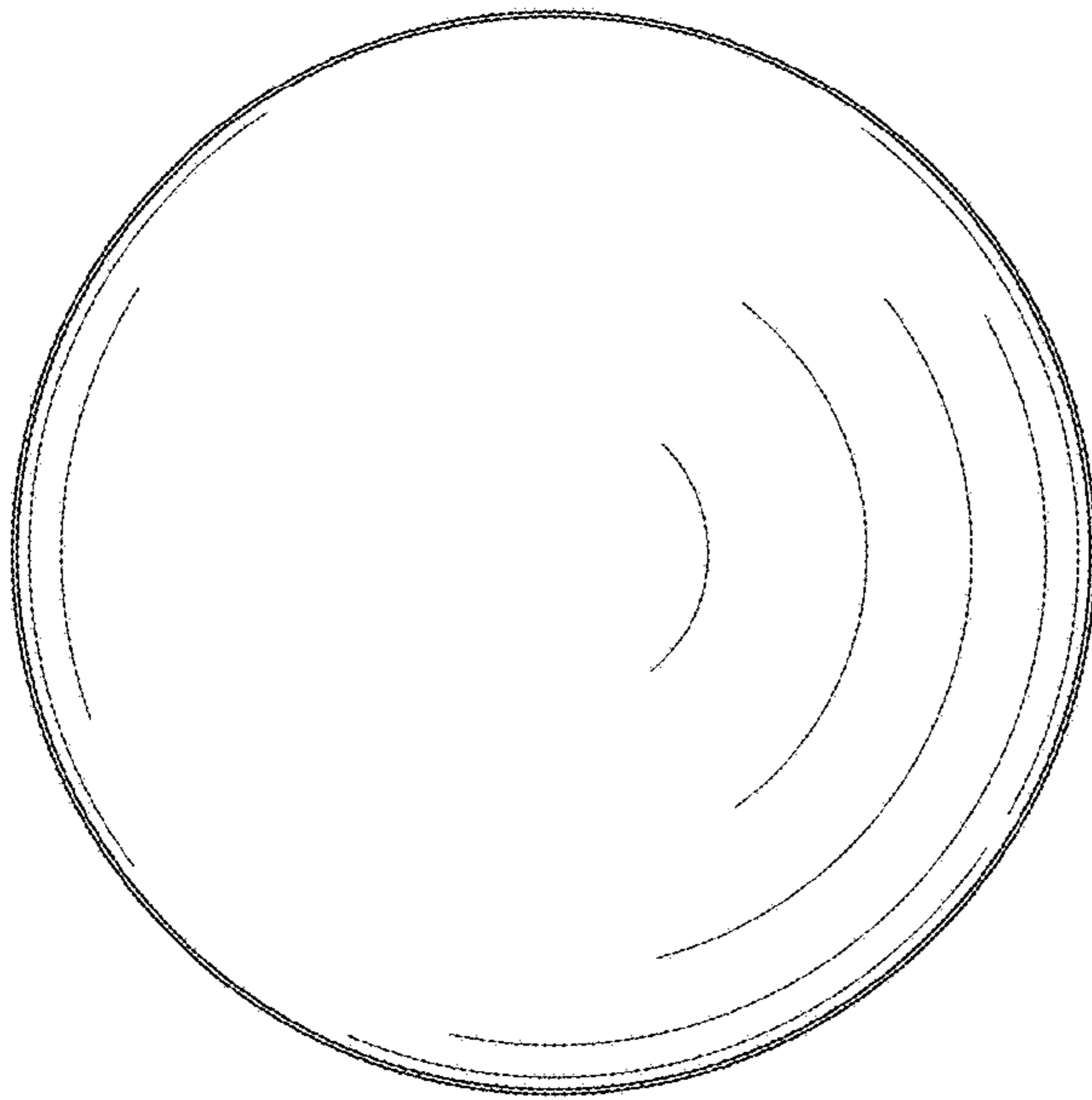


FIG. 6

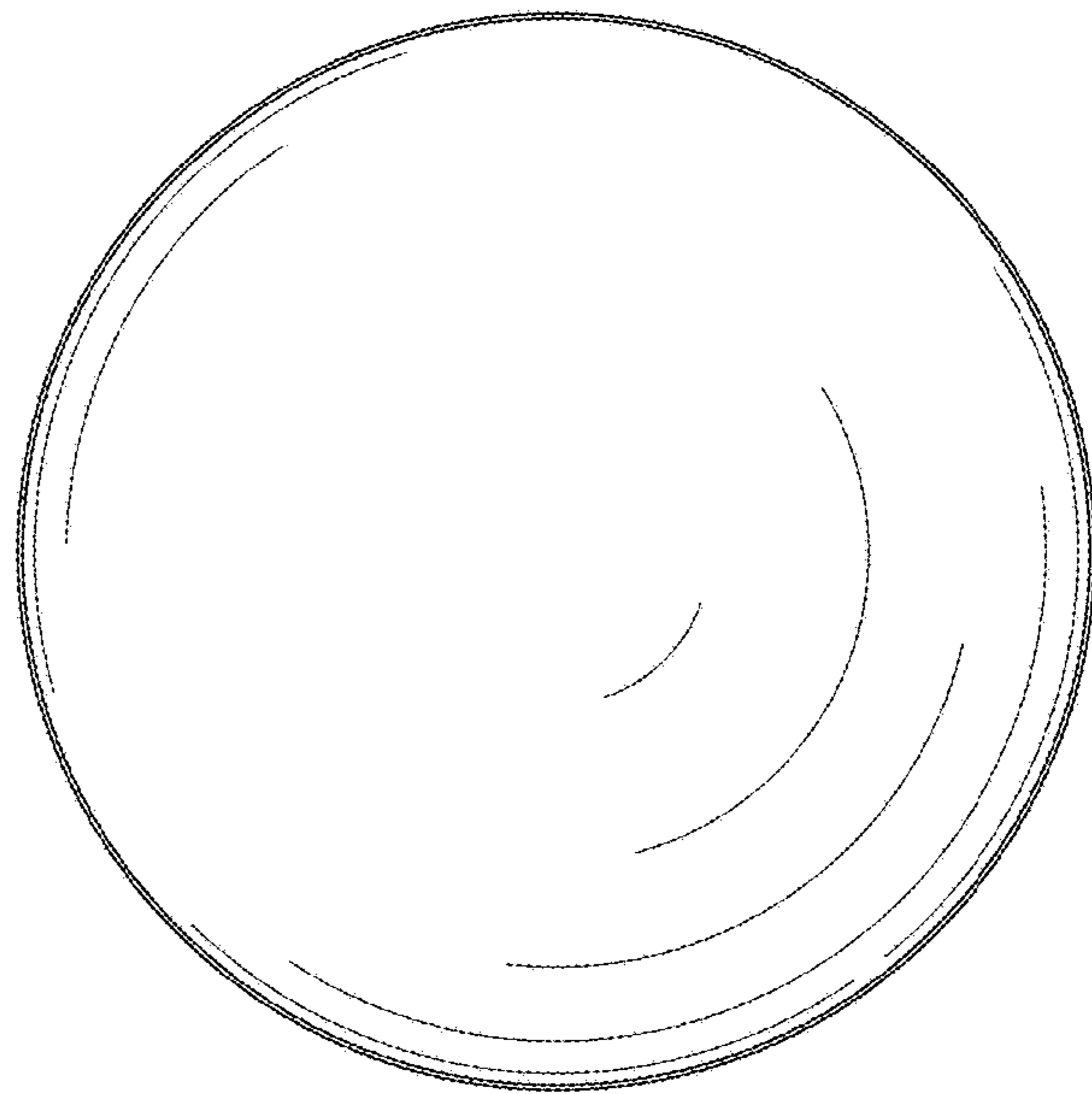


FIG. 7