



US00D839094S

(12) **United States Design Patent** (10) **Patent No.:** **US D839,094 S**
Giraud et al. (45) **Date of Patent:** **** *Jan. 29, 2019**

(54) **BUTTON LATCH FOR A CONTAINER**

(71) Applicant: **CSP TECHNOLOGIES, INC.**,
Auburn, AL (US)

(72) Inventors: **Jean-Pierre Giraud**, Auburn, AL (US);
Herve Pichot, Chennevieres-sur-Marne
(FR); **Franklin Lee Lucas, Jr.**,
Opelika, AL (US); **Joseph W. Rogers**,
Lafayette Hill, PA (US)

(73) Assignee: **CSP Technologies, Inc.**, Auburn, AL
(US)

(*) Notice: This patent is subject to a terminal dis-
claimer.

(**) Term: **15 Years**

(21) Appl. No.: **29/540,451**

(22) Filed: **Sep. 24, 2015**

(51) **LOC (11) Cl.** **09-99**

(52) **U.S. Cl.**
USPC **D9/499**

(58) **Field of Classification Search**
USPC D7/398; D9/433-436, 439, 440, 443,
D9/444, 445, 447, 455-457, 499
CPC B65D 50/06
See application file for complete search history.

(56) **References Cited**

U.S. PATENT DOCUMENTS

D31,999 S	*	12/1899	Grelle	D9/434
D328,710 S		8/1992	Deflander		
D364,344 S		11/1995	Shaw		
D471,801 S	*	3/2003	Caroen	D3/203.2
D517,799 S	*	3/2006	Oas	D3/203.2
D522,813 S	*	6/2006	Swinford	D7/610
D573,878 S		7/2008	Rathbone et al.		
D577,993 S		10/2008	Zanaletti		
D607,316 S		1/2010	Verebelyi et al.		
D619,425 S		7/2010	Watkins		

D628,021 S	*	11/2010	Curtin	D7/629
D636,257 S		4/2011	Bougoulas et al.		
D649,658 S		11/2011	Belfance et al.		
D674,249 S	*	1/2013	Duvigneau	D7/629
D679,958 S	*	4/2013	Yang	D7/629
D682,626 S	*	5/2013	Lane	D7/629

(Continued)

OTHER PUBLICATIONS

Amazon. Thermos Intak 24 Ounce Hydration Bottle with Meter. Oct. 2, 2008 [earliest online date], [site visited Oct. 12, 2016]. Available from Internet, <URL:https://www.amazon.com/Thermos-Intak-Hydration-Bottle-Purple/dp/B001EGO64U?ie=UTF8&psc=1>.*

Primary Examiner — Robert M Spear
Assistant Examiner — Darcey E Heflin
(74) *Attorney, Agent, or Firm* — David B. Gornish

(57) **CLAIM**

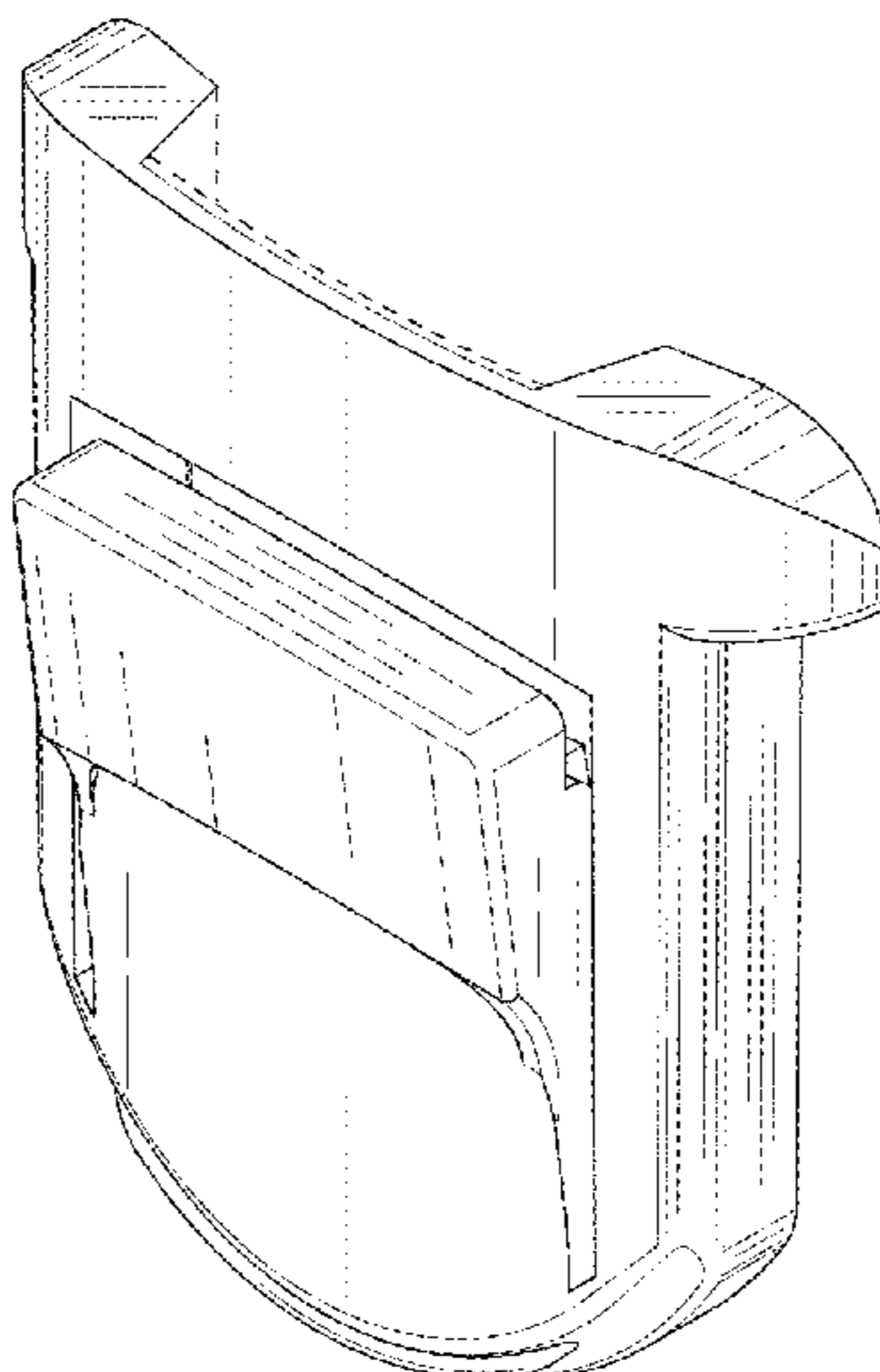
The ornamental design for the button latch for a container, as shown and described.

DESCRIPTION

FIG. 1 is an isometric view of a button latch for a container in accordance with my design;
FIG. 2 is a front, elevation view of the button latch for a container of FIG. 1;
FIG. 3 is a rear, elevation view of the button latch for a container of FIG. 1;
FIG. 4 is a right, side, elevation view of the button latch for a container of FIG. 1;
FIG. 5 is a left, side elevation view of the button latch for a container of FIG. 1;
FIG. 6 is a top view of the button latch for a container of FIG. 1; and,
FIG. 7 is a bottom view of the button latch for a container of FIG. 1.

In the drawings, the broken line showing portions of a button latch depicts environment and forms no part of the claim.

1 Claim, 5 Drawing Sheets



(56)

References Cited

U.S. PATENT DOCUMENTS

9,150,339 B2 * 10/2015 Giraud B65D 47/0804
D752,970 S * 4/2016 Giraud D9/420
2006/0186077 A1 * 8/2006 Robinson B65D 47/0814
215/237
2015/0048088 A1 * 2/2015 Giraud B65D 83/0427
220/315

* cited by examiner

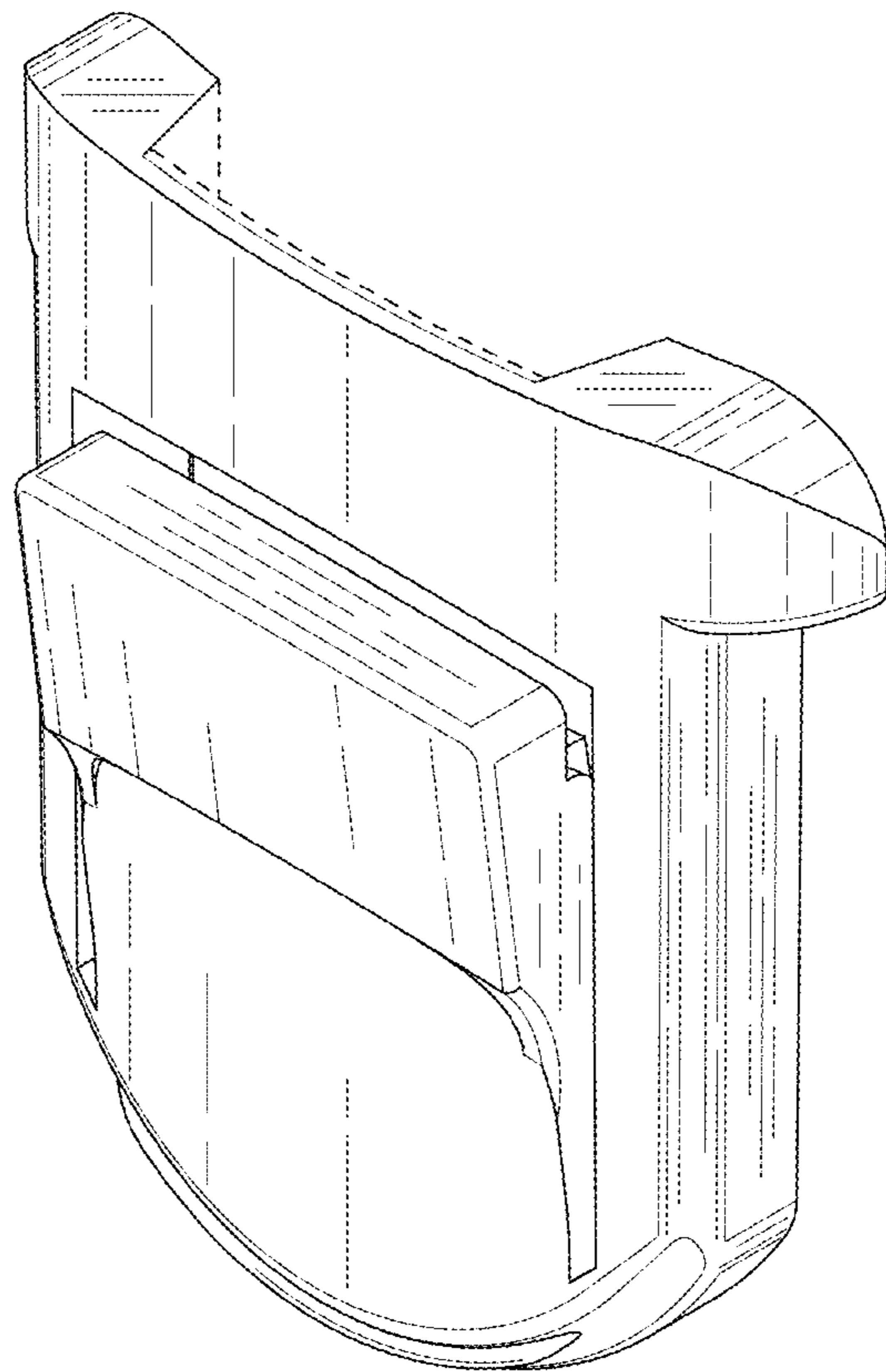


FIG. 1

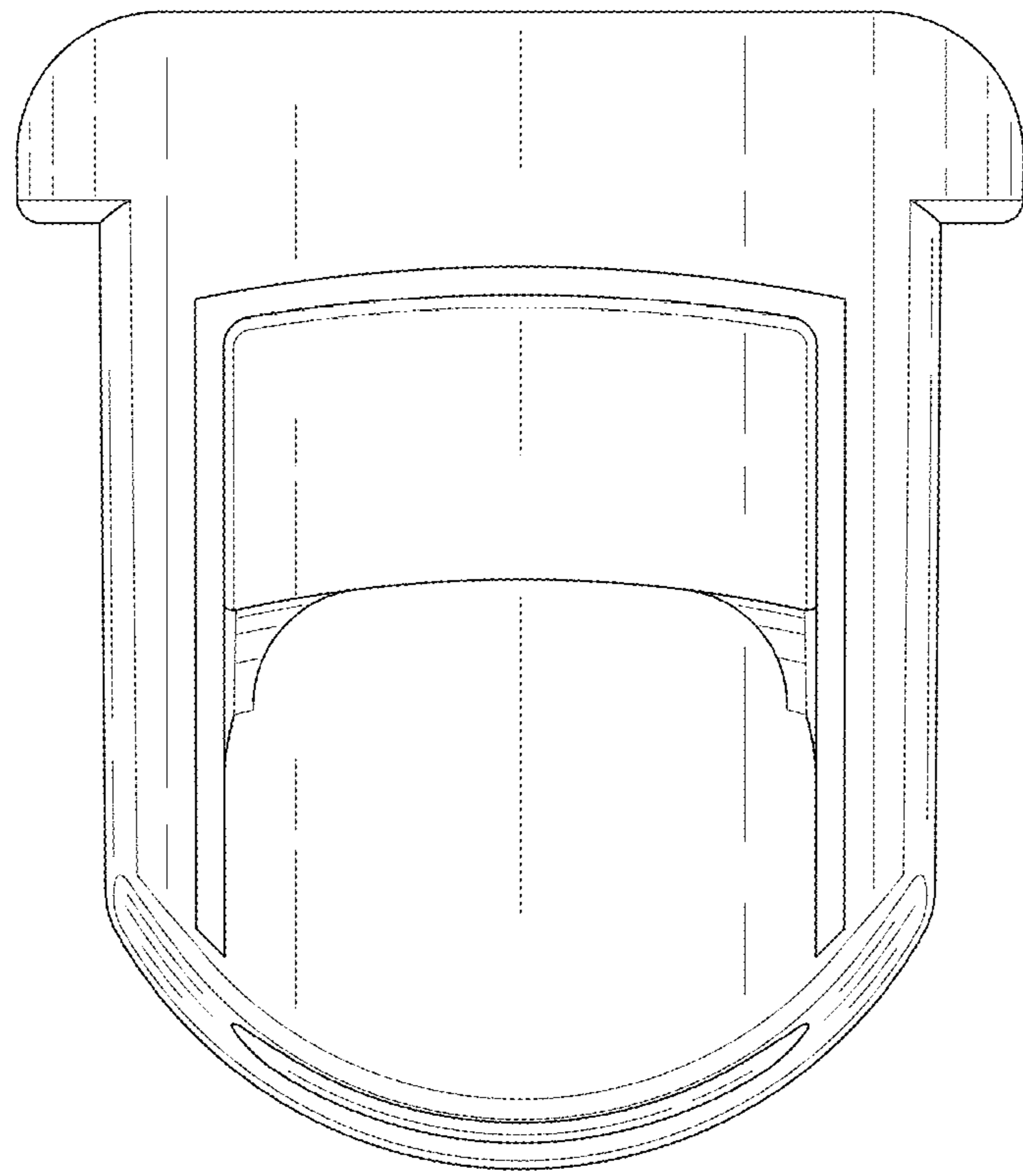


FIG. 2

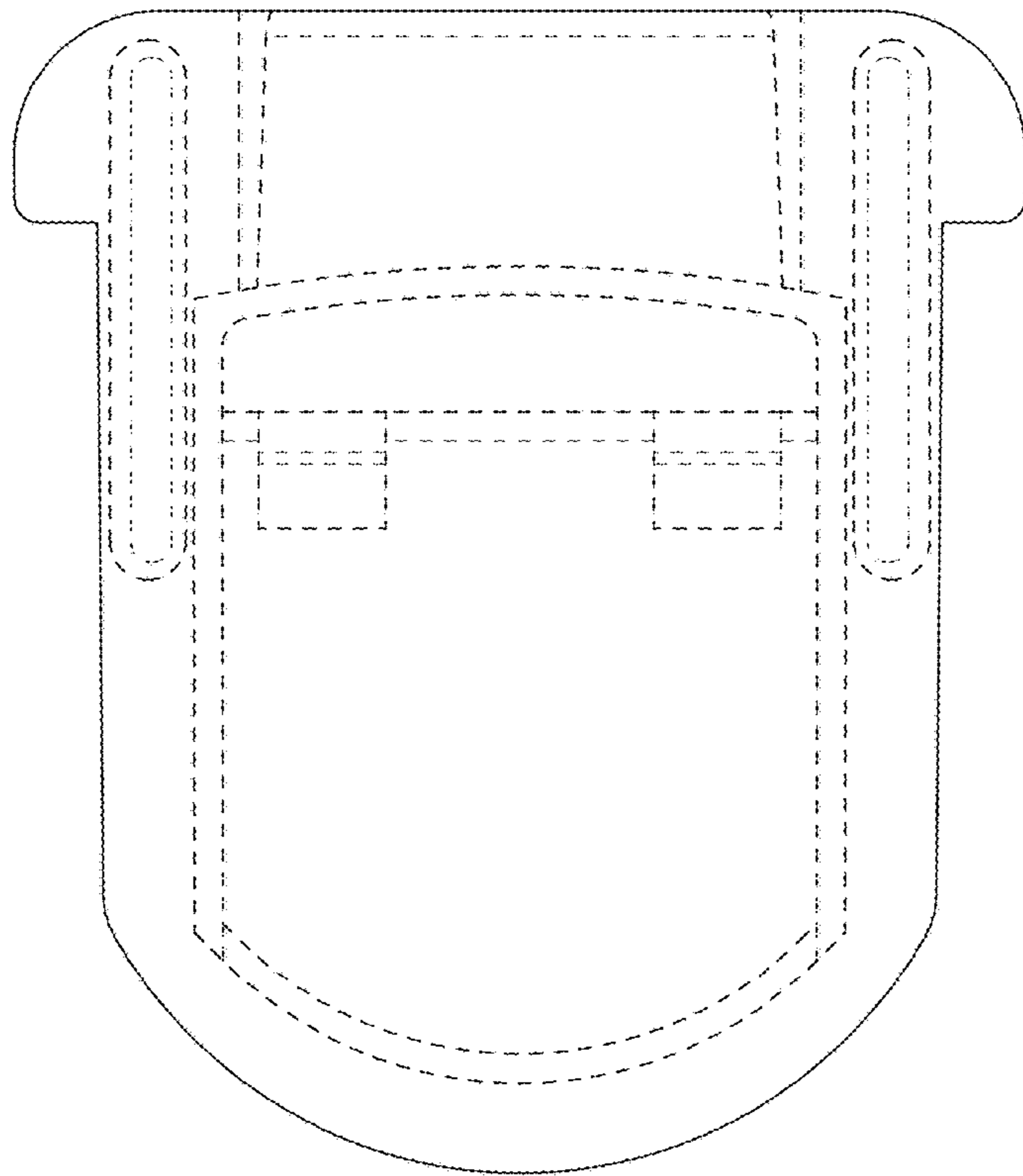


FIG. 3

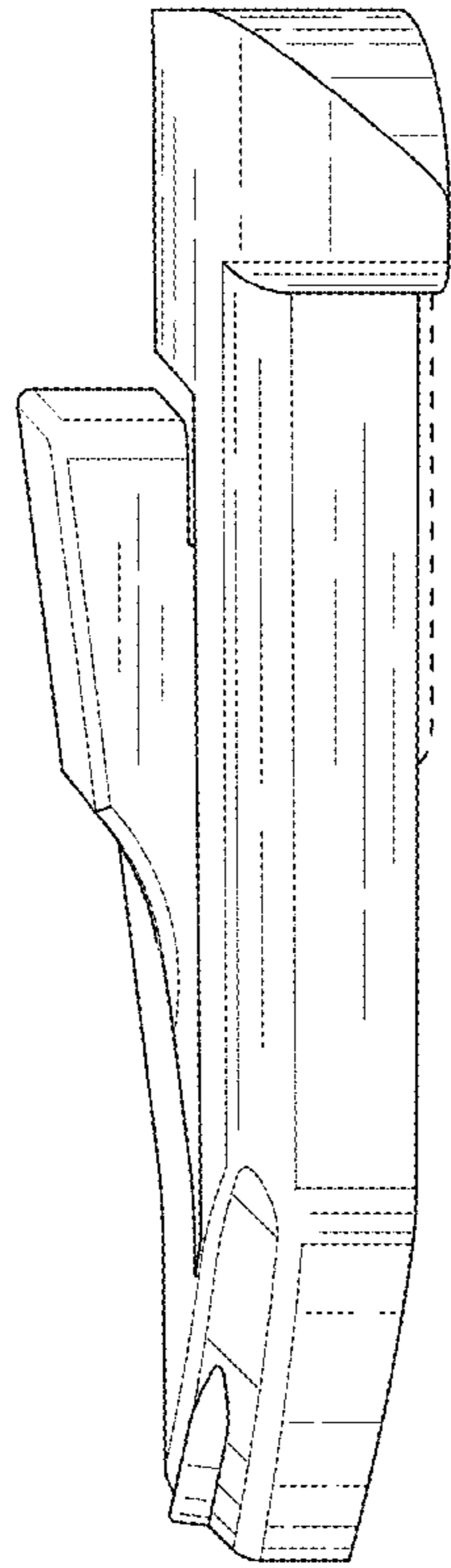


FIG. 4

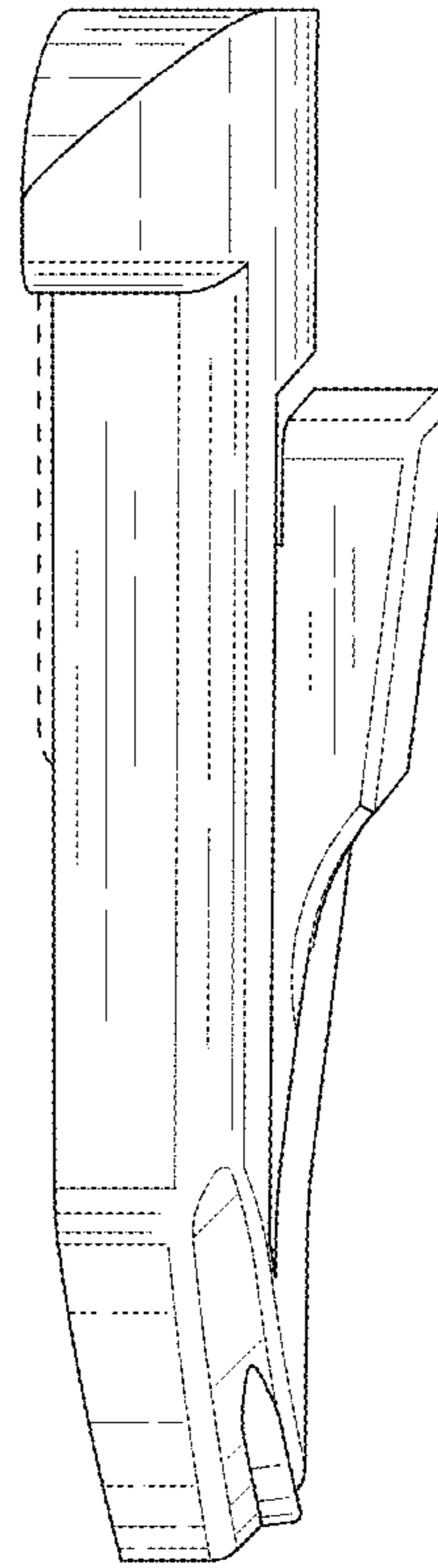


FIG. 5

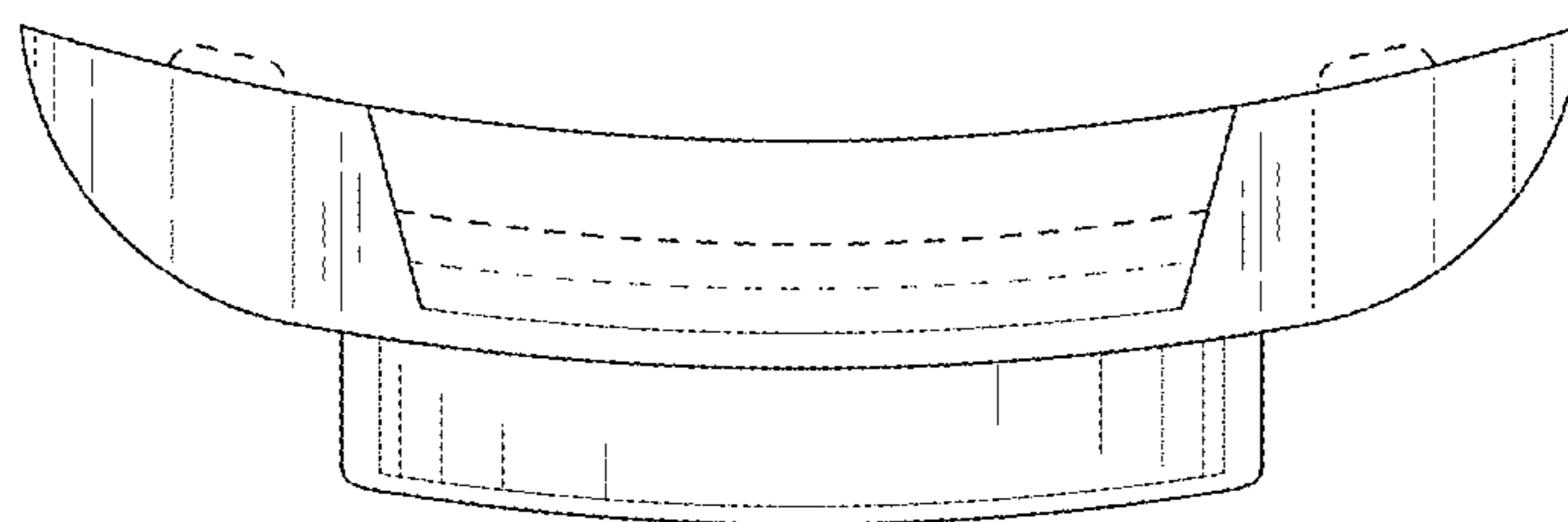


FIG. 6

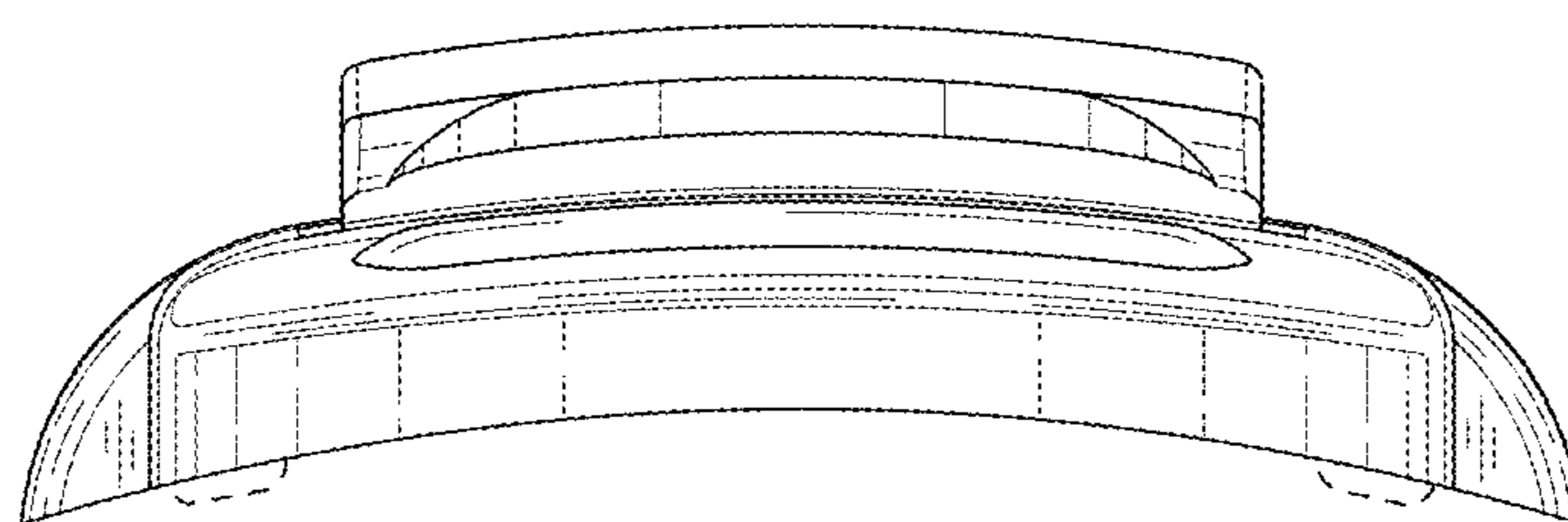


FIG. 7