



US00D839093S

(12) **United States Design Patent**  
**Livingston et al.**

(10) **Patent No.:** **US D839,093 S**  
(45) **Date of Patent:** **\*\* Jan. 29, 2019**

- (54) **REAGENT RECEPTACLE**
- (71) Applicant: **Becton, Dickinson and Company**,  
Franklin Lakes, NJ (US)
- (72) Inventors: **Dwight Livingston**, Fallston, MD (US);  
**Steven C. Rotundo**, Baltimore, MD  
(US); **Gordon Franklin**, Hanover, PA  
(US)

- D227,860 S 7/1973 Schumann
- D240,900 S \* 8/1976 Rogers et al. .... D9/456
- D275,653 S \* 9/1984 Crutchfield ..... D9/420
- D335,348 S 5/1993 Frenkel et al.
- D352,202 S \* 11/1994 Campbell ..... D7/546
- D363,192 S \* 10/1995 Reeves ..... D7/553.3
- D365,153 S 12/1995 Robertson, Jr.
- D367,932 S 3/1996 Lim

(Continued)

- (73) Assignee: **Becton, Dickinson and Company**,  
Franklin Lakes, NJ (US)
- (\*\*) Term: **15 Years**

- (21) Appl. No.: **29/615,785**
- (22) Filed: **Aug. 31, 2017**

**Related U.S. Application Data**

- (62) Division of application No. 29/564,530, filed on May  
13, 2016, now Pat. No. Des. 800,915.
- (51) **LOC (11) Cl.** ..... **09-07**
- (52) **U.S. Cl.**  
USPC ..... **D9/456; D24/224**
- (58) **Field of Classification Search**  
USPC ..... D3/201, 203.1; D7/396.1, 550.1, 553.1,  
D7/553.2, 553.3, 554.4, 601, 602, 629,  
D7/354; D9/418-421, 423-426,  
D9/428-436, 455-457, 499, 443,  
D9/414-416; D24/121, 224-227  
CPC . B65D 5/503; B65D 5/36; B65D 5/20; B65D  
71/00; B65D 77/00; B65D 81/00; B01L  
2300/0609  
See application file for complete search history.

(56) **References Cited**

**U.S. PATENT DOCUMENTS**

- D131,198 S \* 1/1942 Limpert et al. .... D9/456
- D209,642 S \* 12/1967 Goldberg ..... D24/227

**OTHER PUBLICATIONS**

BD. BD Phoenix identification and susceptibility combo panels.  
2018 [earliest online date], [site visited Mar. 13, 2018]. Available  
from Internet, <URL:https://goo.gl/UBQdCS>. (Year: 2018).\*

(Continued)

*Primary Examiner* — George D. Kirschbaum  
*Assistant Examiner* — Darcey E Heflin  
(74) *Attorney, Agent, or Firm* — Lerner, David,  
Littenberg, Krumholz & Mentlik, LLP

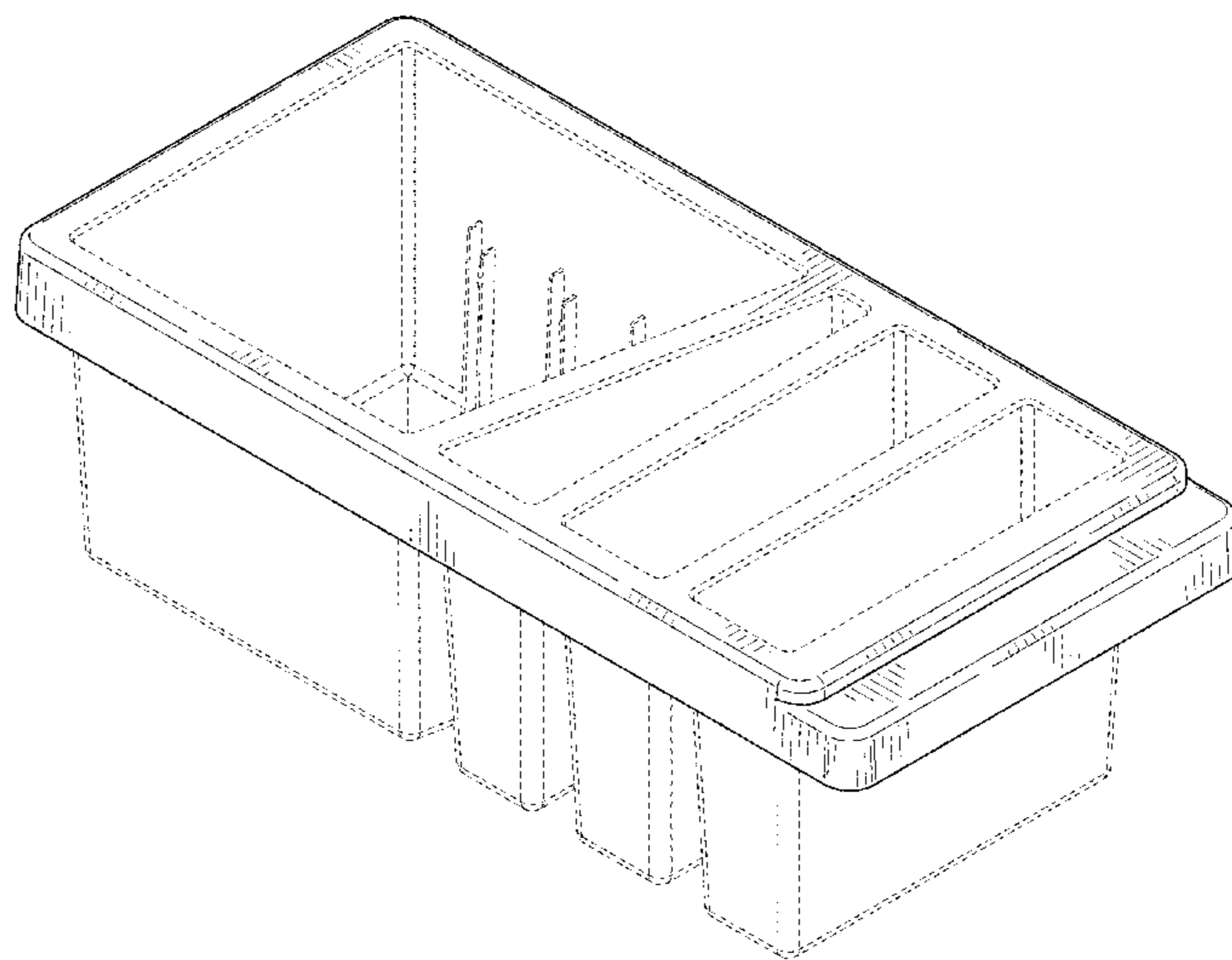
(57) **CLAIM**

The ornamental design for a reagent receptacle, as shown  
and described.

**DESCRIPTION**

FIG. 1 is a front perspective view of a reagent receptacle  
according to our design;  
FIG. 2 is a front elevational view thereof;  
FIG. 3 is a rear elevational view thereof;  
FIG. 4 is a right side elevational view thereof;  
FIG. 5 is a left side elevational view thereof;  
FIG. 6 is a top plan view thereof; and,  
FIG. 7 is a bottom plan view thereof.  
The claim is limited to the shaded surfaces only. The broken  
lines illustrate unclaimed environmental structure and form  
no part of the claimed design. The broken lines immediately  
adjacent the shaded surfaces represent boundaries of the  
claim and form no part thereof.

**1 Claim, 4 Drawing Sheets**



(56)

**References Cited**

U.S. PATENT DOCUMENTS

D416,330	S	11/1999	Brown	
D451,676	S	12/2001	Dembicks	
D573,038	S	7/2008	Picken	
D613,875	S	4/2010	Mcdevitt	
D616,250	S	5/2010	Peyton et al.	
D631,707	S *	2/2011	Samartgis .....	D7/602
D641,234	S	7/2011	Satin	
D642,904	S *	8/2011	Turvey .....	D9/424
D644,886	S *	9/2011	Samartgis .....	D7/602
D644,887	S *	9/2011	Samartgis .....	D7/602
D671,817	S	12/2012	Brown	
D691,465	S	10/2013	O'Brien et al.	
D727,732	S	4/2015	Petty	
D762,083	S *	7/2016	Librus .....	D7/354
D772,053	S	11/2016	Mayer	
D787,323	S *	5/2017	Beck .....	D9/432
D800,915	S *	10/2017	Livingston .....	D24/224
D805,897	S *	12/2017	Scharer .....	D9/432
D808,039	S *	1/2018	Self .....	D24/227
D809,154	S *	1/2018	Livingston .....	A47J 47/005
				D24/224
2009/0096150	A1 *	4/2009	Cihan .....	A47J 47/005
				269/289 R

OTHER PUBLICATIONS

Rings Things. Bead and Craft Storage Organizers. Nov. 15, 2014 [earliest online date], [site visited Feb. 2, 2017]. Available from Internet, <URL: <http://www.rings-things.com/Products/Bead-and-Craft-Storage-Organizers/>>.

Design U.S. Appl. No. 29/635,165, filed Jan. 29, 2018 (Livingston et al.).

\* cited by examiner

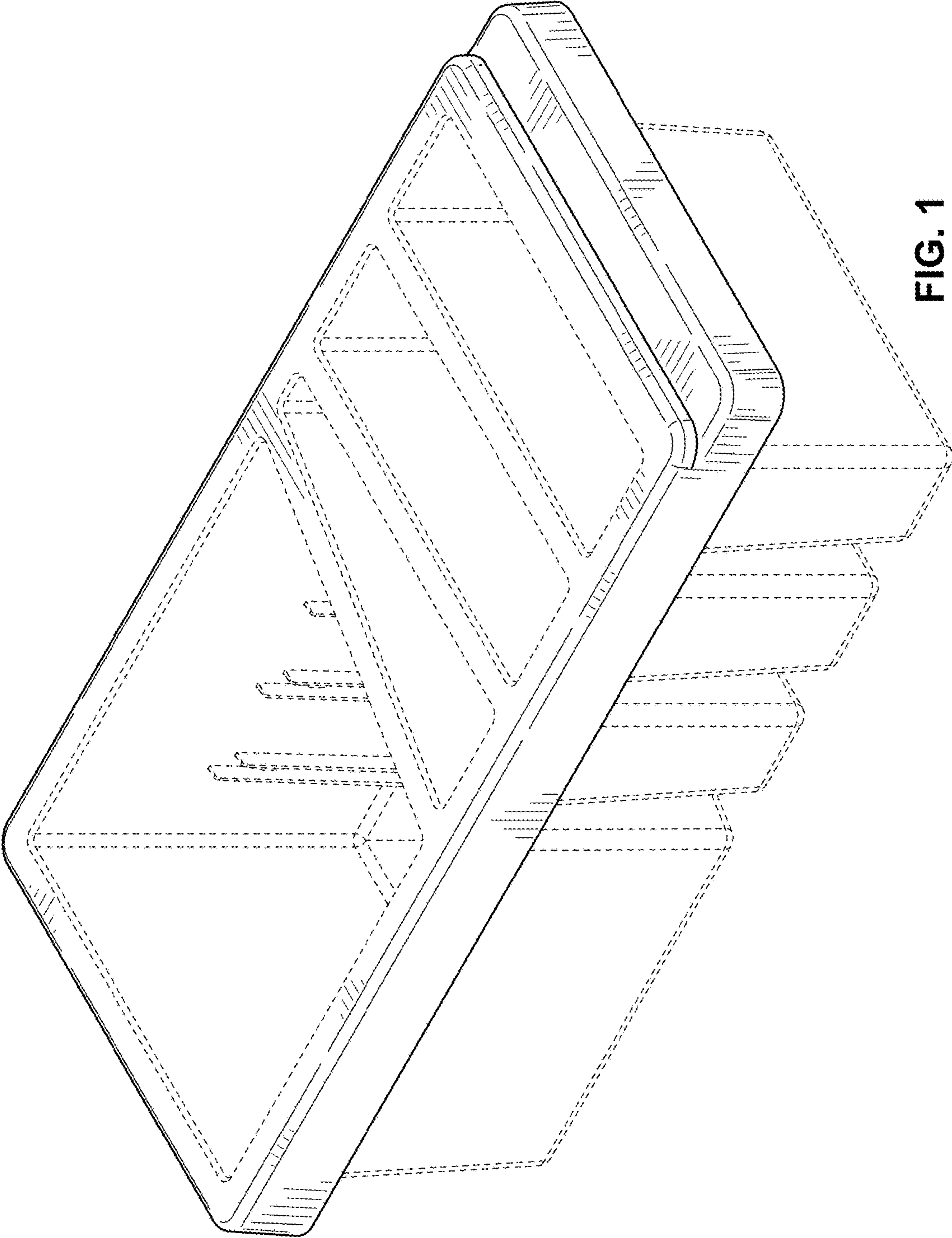


FIG. 1

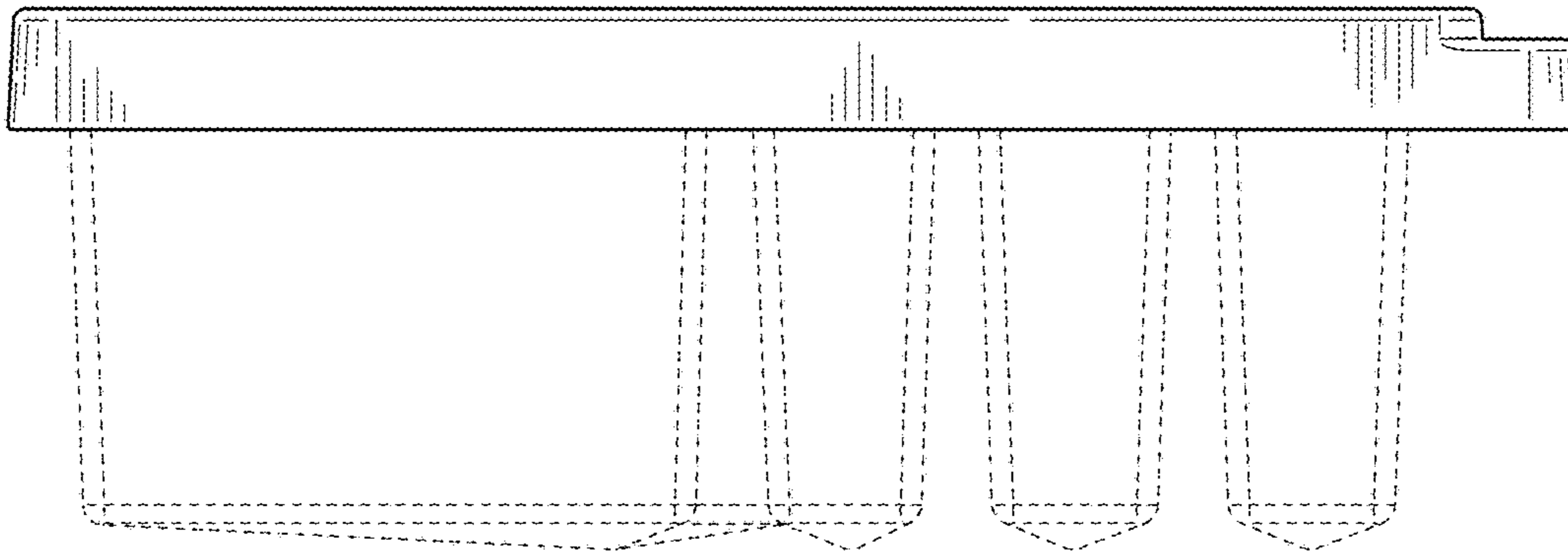


FIG. 2

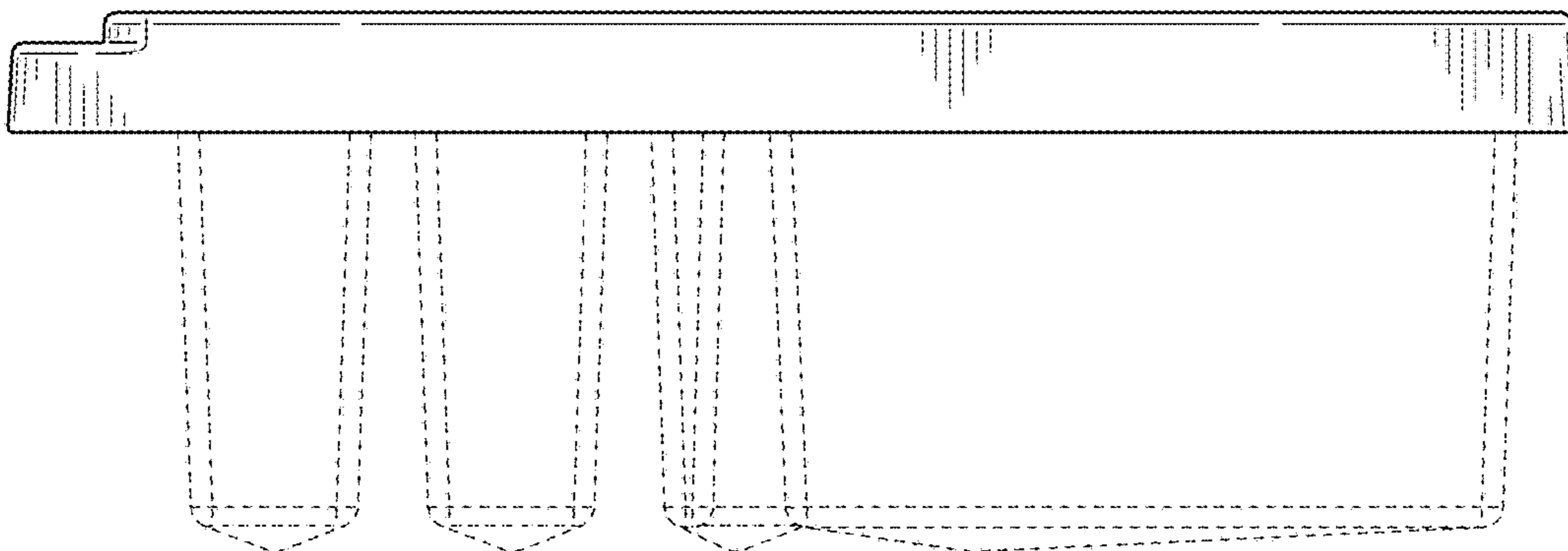
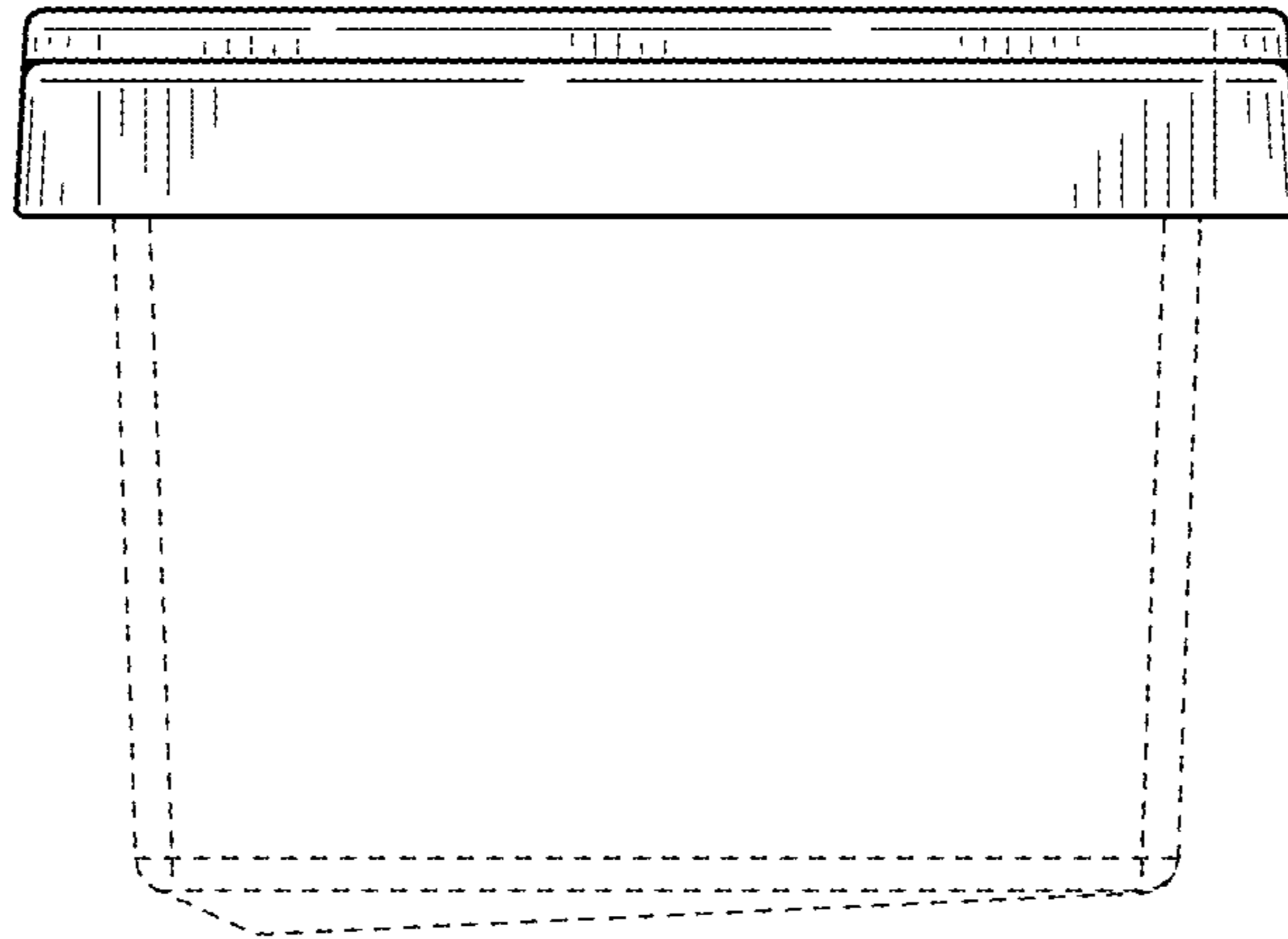
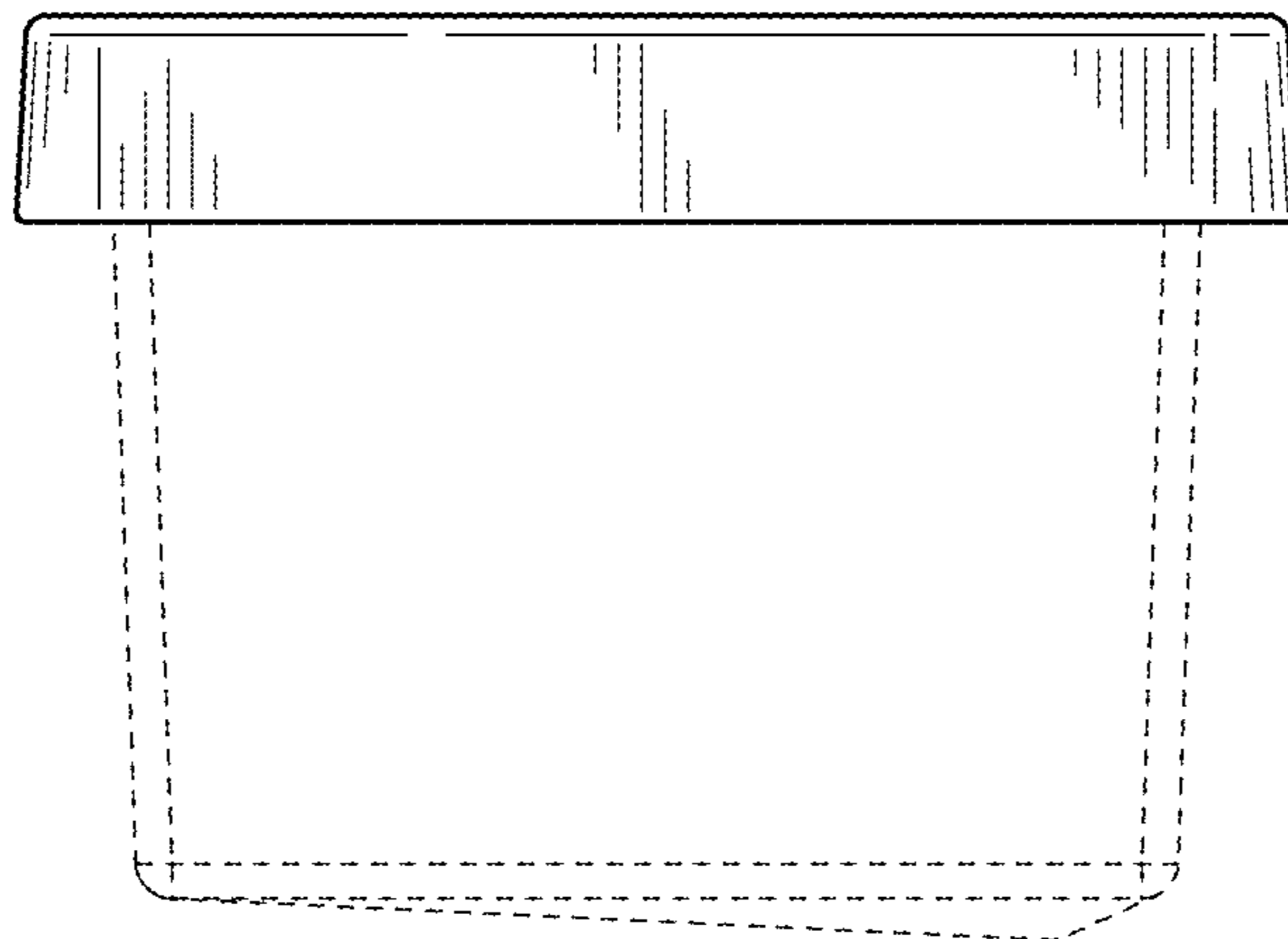


FIG. 3



**FIG. 4**



**FIG. 5**



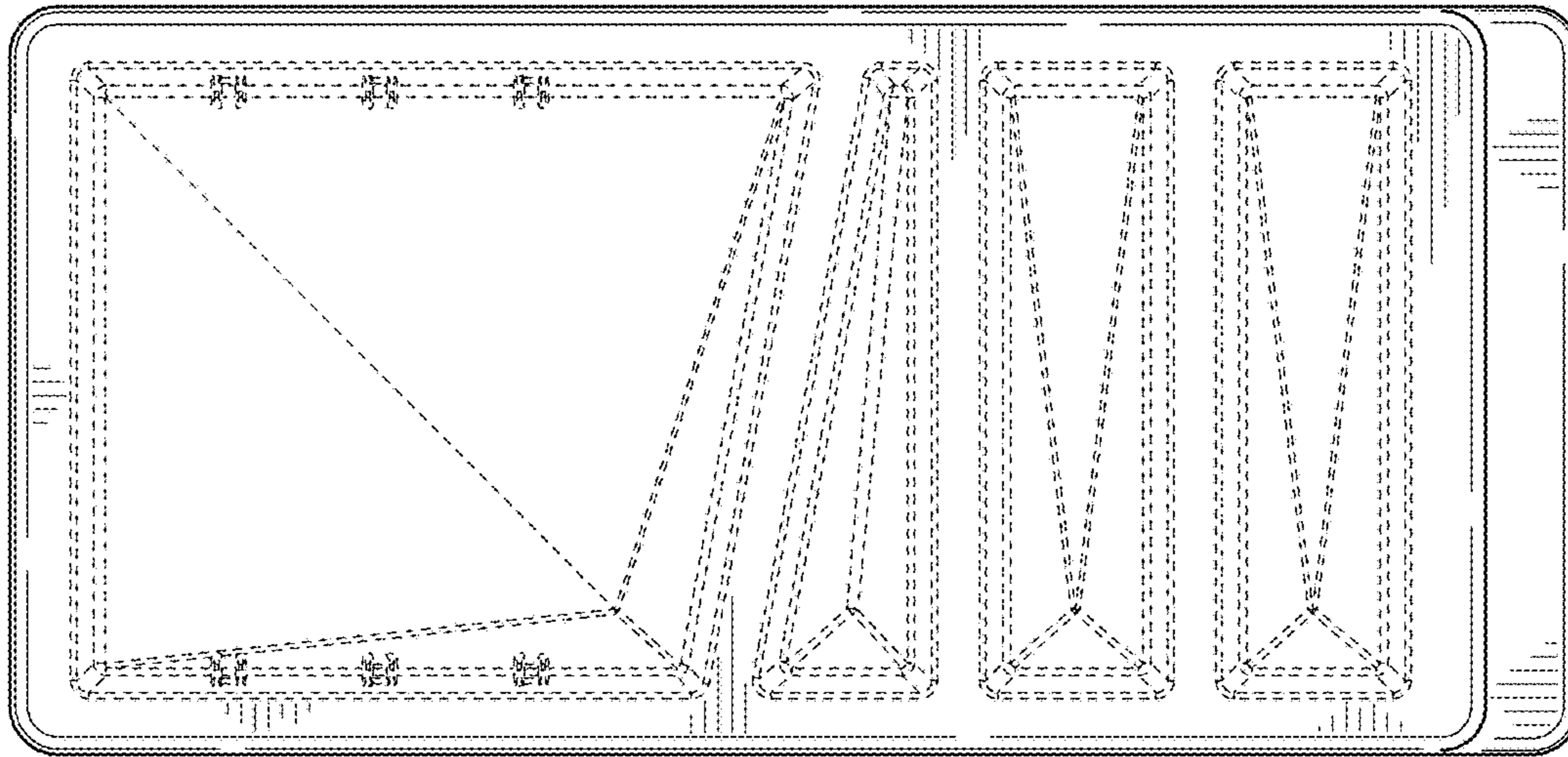


FIG. 6

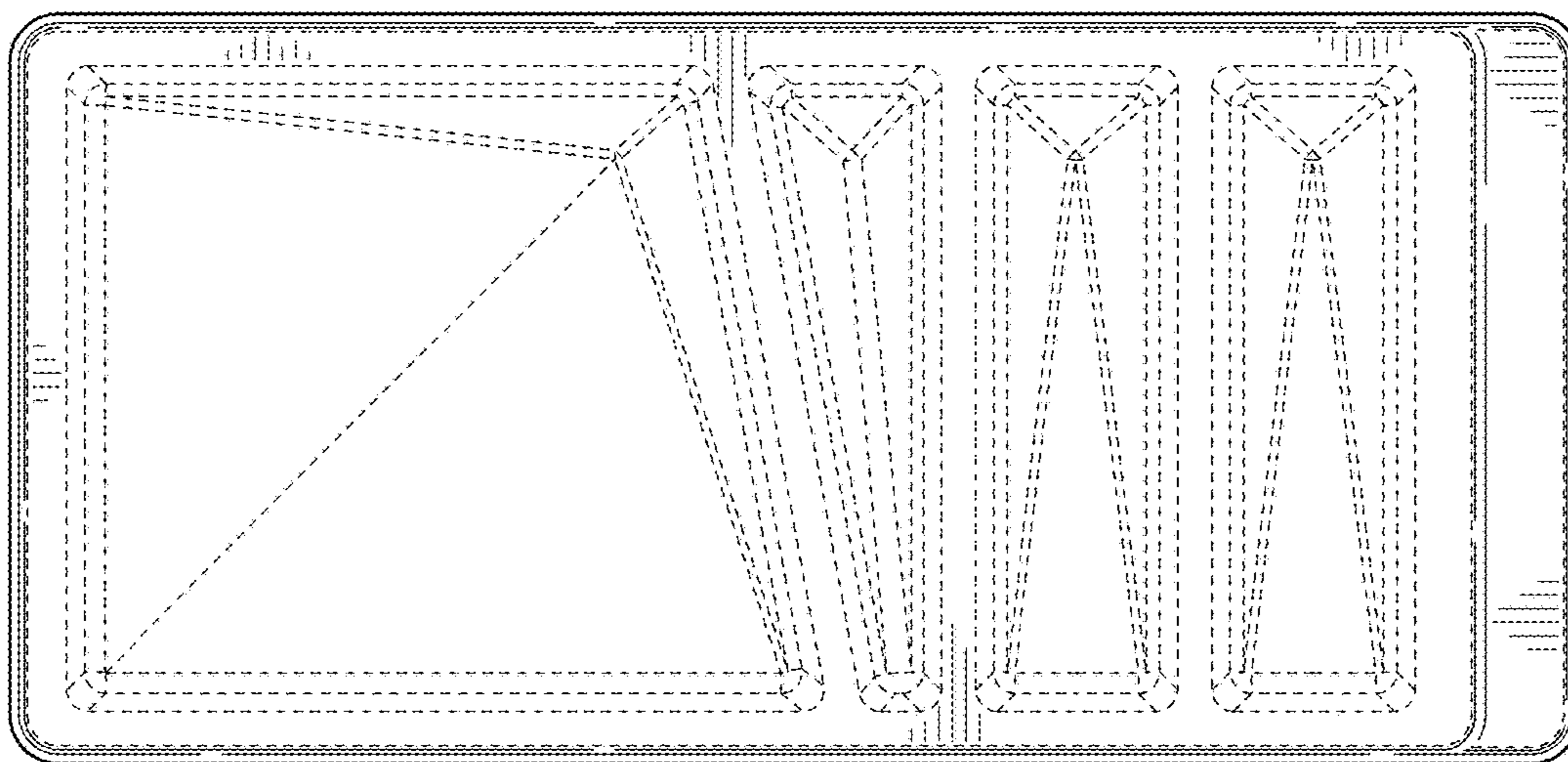


FIG. 7