



US00D839090S

(12) **United States Design Patent**
Sanfilippo et al.

(10) **Patent No.:** **US D839,090 S**

(45) **Date of Patent:** **** Jan. 29, 2019**

(54) **PACKAGE**

(71) Applicant: **CLEAR LAM PACKAGING, INC.**,
Elk Grove Village, IL (US)

(72) Inventors: **James J. Sanfilippo**, Barrington Hills,
IL (US); **John E. Sanfilippo**,
Barrington Hills, IL (US); **Francisco**
Javier Soria, West Chicago, IL (US)

(73) Assignee: **CLEAR LAM PACKAGING, INC.**,
Elk Grove Village, IL (US)

(**) Term: **15 Years**

(21) Appl. No.: **29/555,014**

(22) Filed: **Feb. 17, 2016**

(51) **LOC (11) Cl.** **09-03**

(52) **U.S. Cl.**
USPC **D9/414**

(58) **Field of Classification Search**
USPC D9/421, 414-418, 423, 761, 424, 721,
D9/425, 435, 456, 431, 432, 757, 760,
D9/429, 759, 762, 755; D7/602, 629,
D7/354, 542, 553.1; D10/106.9
CPC B65D 75/245; B65D 43/164; B65D 5/12;
B65D 43/0249; B65D 43/162
See application file for complete search history.

(56) **References Cited**

U.S. PATENT DOCUMENTS

D384,247 S *	9/1997	Smith	D7/542
D495,920 S *	9/2004	Isler	D7/354
D502,061 S *	2/2005	Dais	D7/629
D505,840 S *	6/2005	Schultz	D7/629
D510,263 S *	10/2005	Isono	D9/416
D511,274 S *	11/2005	Vovan	D7/602
D536,992 S *	2/2007	Garg	D9/425
D574,281 S *	8/2008	Cherneck	D10/106.9
D579,767 S *	11/2008	Wallach	D9/416

D600,114 S *	9/2009	Nomura	D9/425
D685,628 S *	7/2013	Durdon	D9/420
D688,552 S *	8/2013	Vernon	D7/602
D689,363 S *	9/2013	Sundy	D9/429
D689,376 S *	9/2013	Von der Ahe	D9/757
9,132,942 B2 *	9/2015	Nikaein	B65D 43/0249
D744,341 S *	12/2015	Prince	D9/456
D747,962 S *	1/2016	Astorga	D9/425
D752,430 S *	3/2016	Stevenson	D9/425
D754,533 S *	4/2016	Afford	D9/425
D766,663 S *	9/2016	Bergeron	D7/553.1
D770,273 S *	11/2016	Fife	D9/425
D780,572 S *	3/2017	Zhang	D9/425
D781,698 S *	3/2017	Koroukian	D9/420

(Continued)

Primary Examiner — Rhea Shields

(74) *Attorney, Agent, or Firm* — Marshall, Gerstein &
Borun LLP

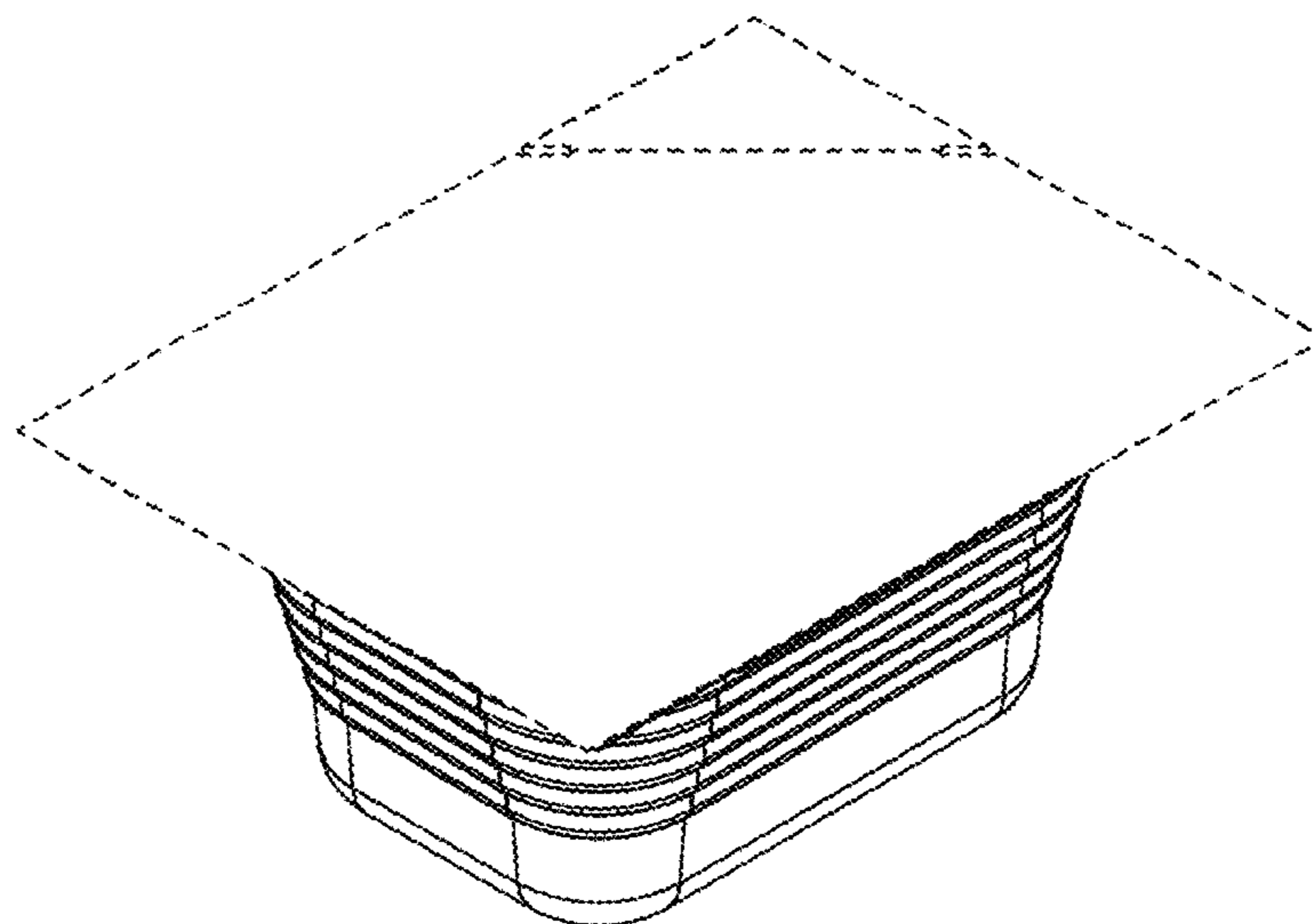
(57) **CLAIM**

The ornamental design for a package, as shown and described.

DESCRIPTION

FIG. 1 is a front, right side and top view of a package, showing the new design;
FIG. 2 is a front, left side and bottom view thereof;
FIG. 3 is a top plan view thereof;
FIG. 4 is a right side view thereof;
FIG. 5 is a front view thereof; and
FIG. 6 is a bottom plan view thereof.
FIG. 7 is a front, right side and top view of a package, shown in FIG. 1, and with the lid removed;
FIG. 8 is a front, left side and bottom view thereof;
FIG. 9 is a top plan view thereof;
FIG. 10 is a right side view thereof;
FIG. 11 is a front view thereof; and,
FIG. 12 is a bottom plan view thereof.
The broken lines depict a lid that forms no part of the claimed design.

1 Claim, 6 Drawing Sheets



(56)

References Cited

U.S. PATENT DOCUMENTS

D782,334	S	*	3/2017	Bishop	D9/757
D783,421	S	*	4/2017	Van Belle	D9/760
D784,125	S	*	4/2017	Fife	D9/425
D785,451	S	*	5/2017	Biery	D9/425
D788,578	S	*	6/2017	Zhang	D9/425
9,676,527	B2	*	6/2017	McCumber B65D 43/162	
D793,225	S	*	8/2017	Hu	D9/423
D793,252	S	*	8/2017	Prince	D9/755
D795,084	S	*	8/2017	Schleining	D9/757
D797,551	S	*	9/2017	Chatterton	D9/425
D798,143	S	*	9/2017	Chatterton	D9/425
D802,444	S	*	11/2017	Schleining	D9/762
D804,324	S	*	12/2017	Tayara	D9/757
D805,387	S	*	12/2017	Lin	D9/452
D805,404	S	*	12/2017	Zaini	D9/761
D805,857	S	*	12/2017	Mei	D7/629
D813,664	S	*	3/2018	Magana	D9/425
D814,316	S	*	4/2018	Overgaag	D9/759

* cited by examiner

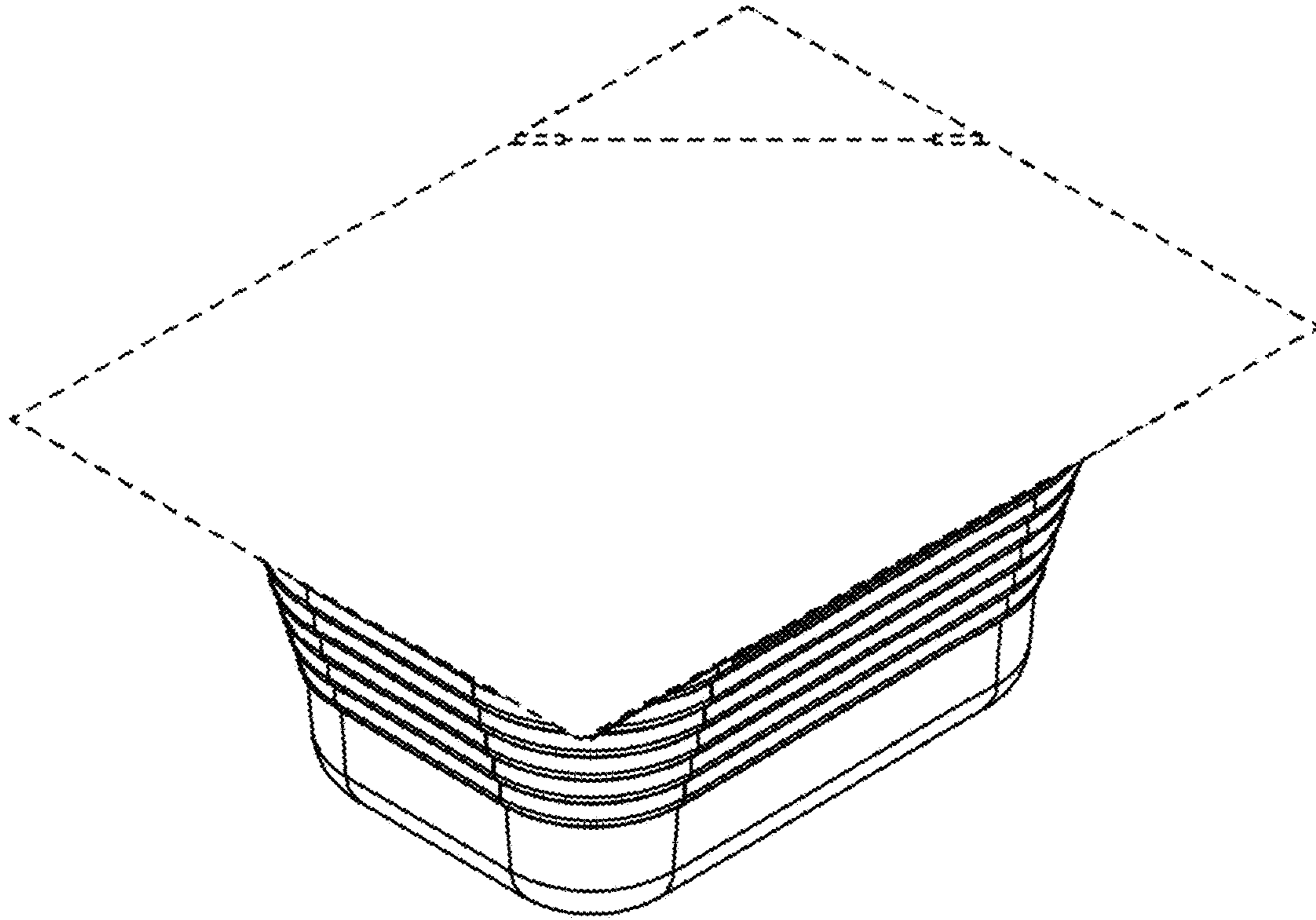


Fig. 1

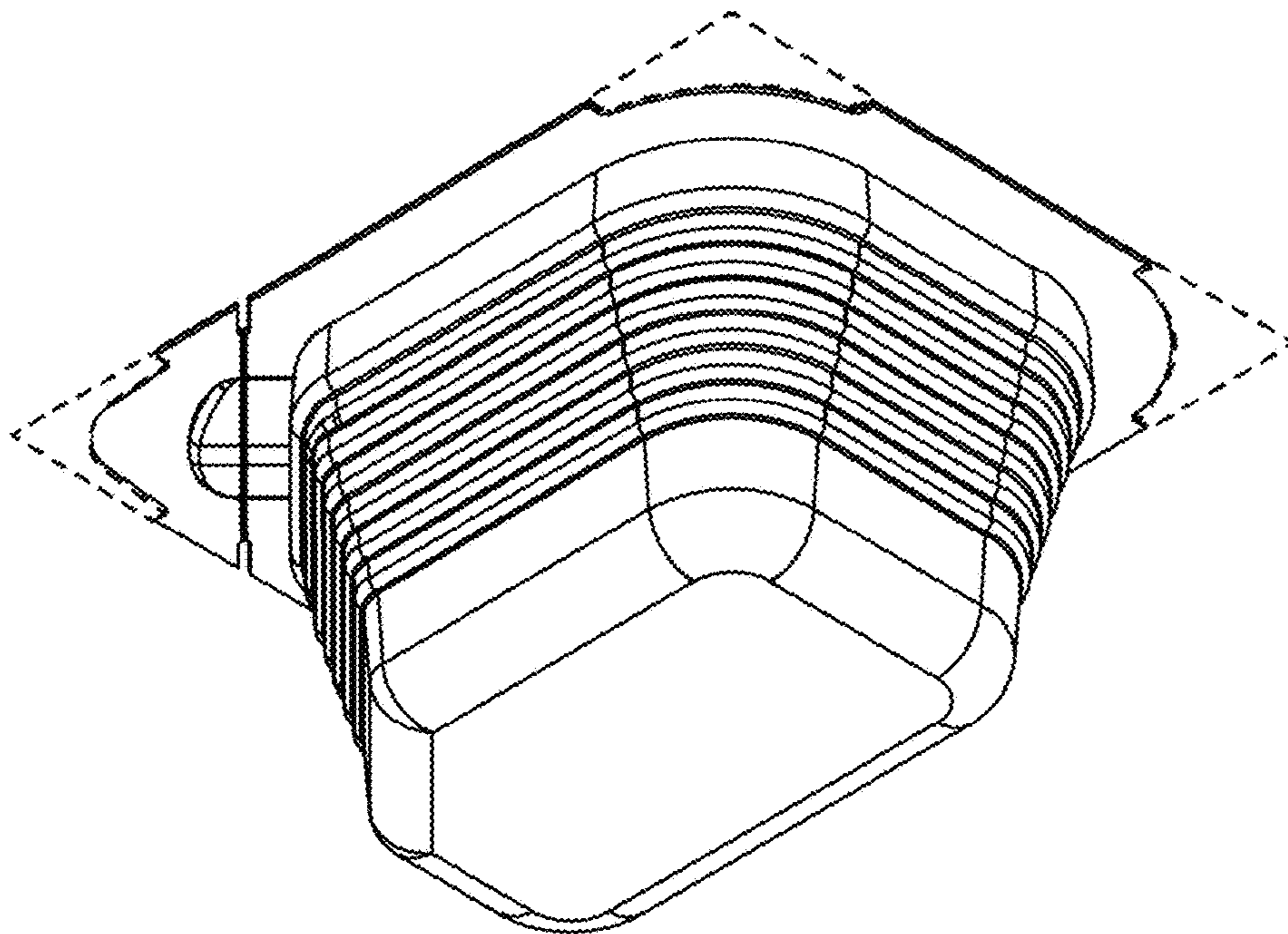


Fig. 2

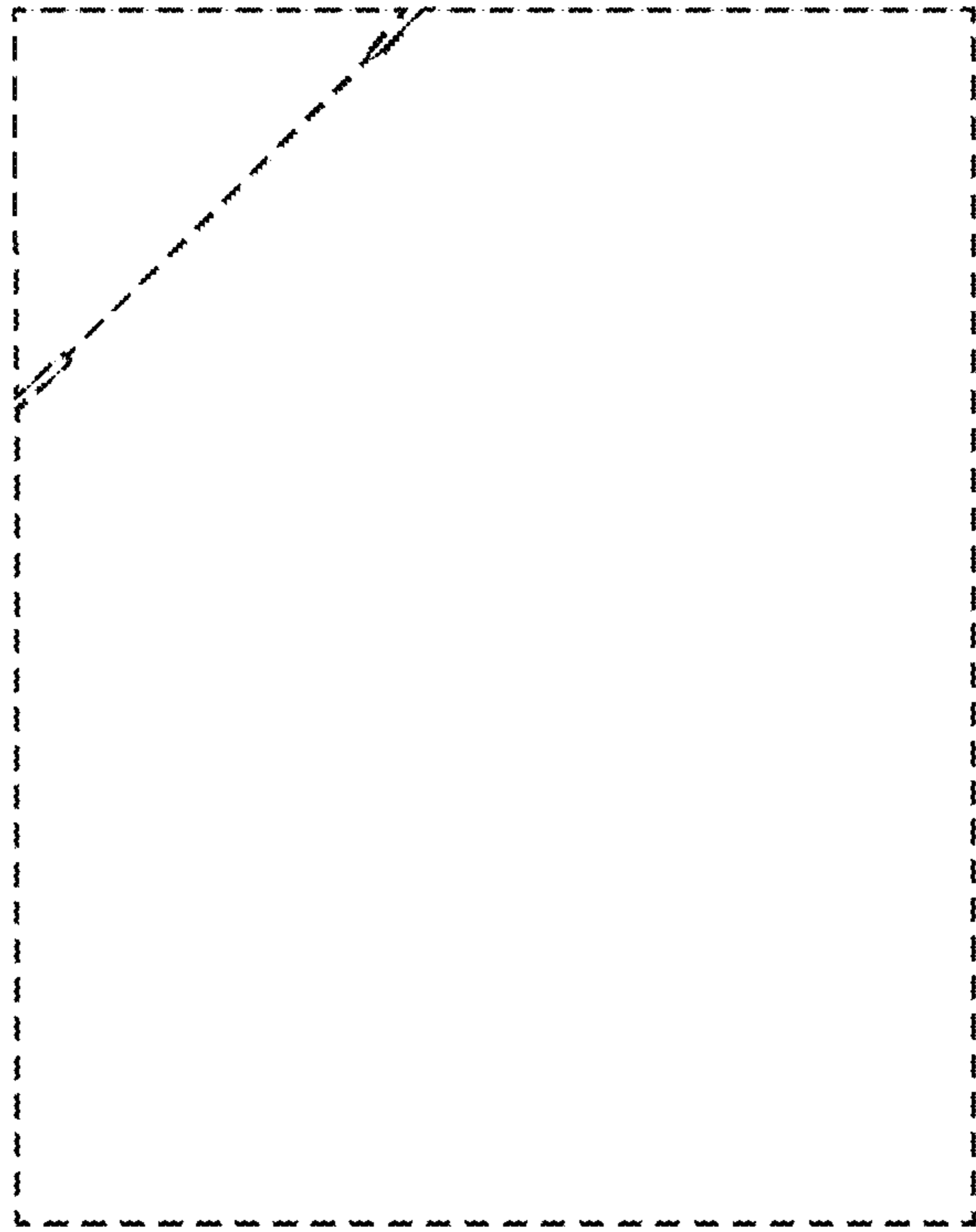


Fig. 3

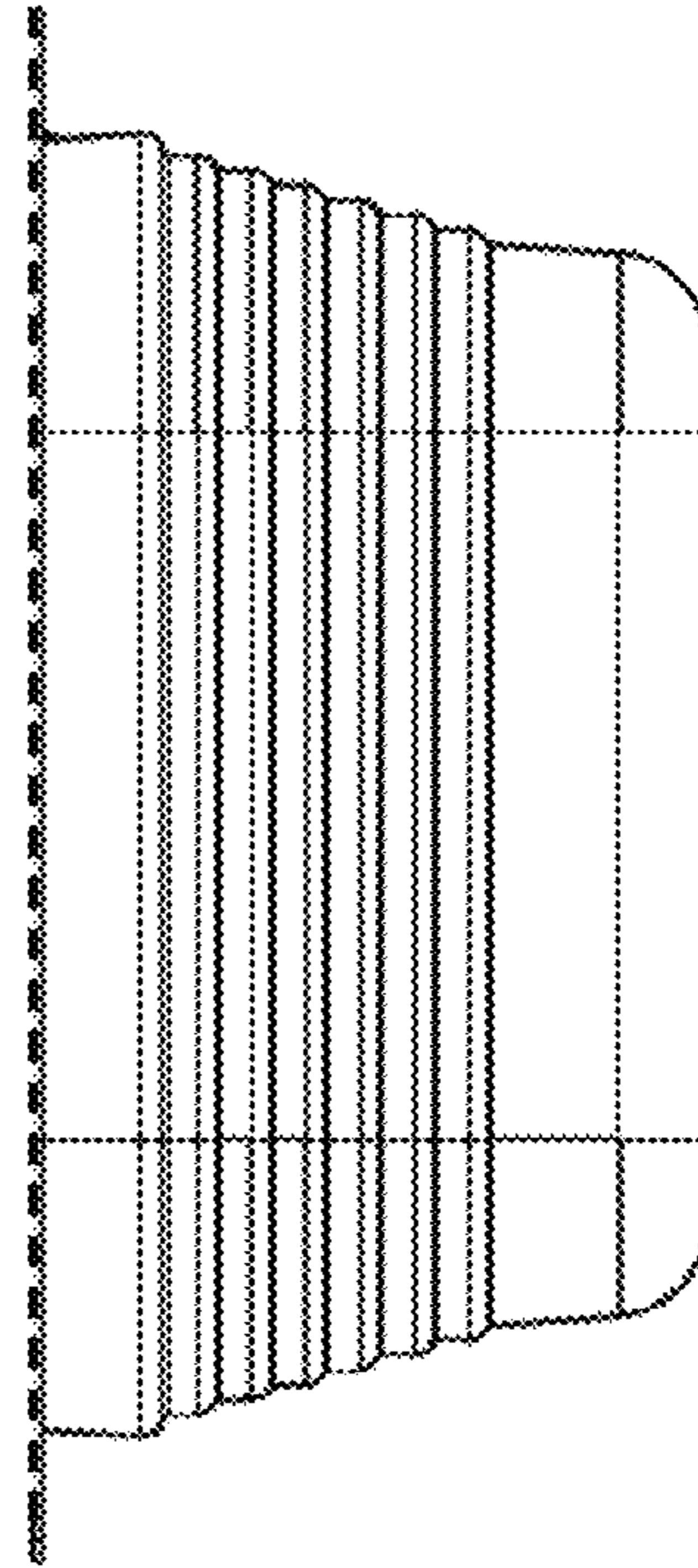


Fig. 4

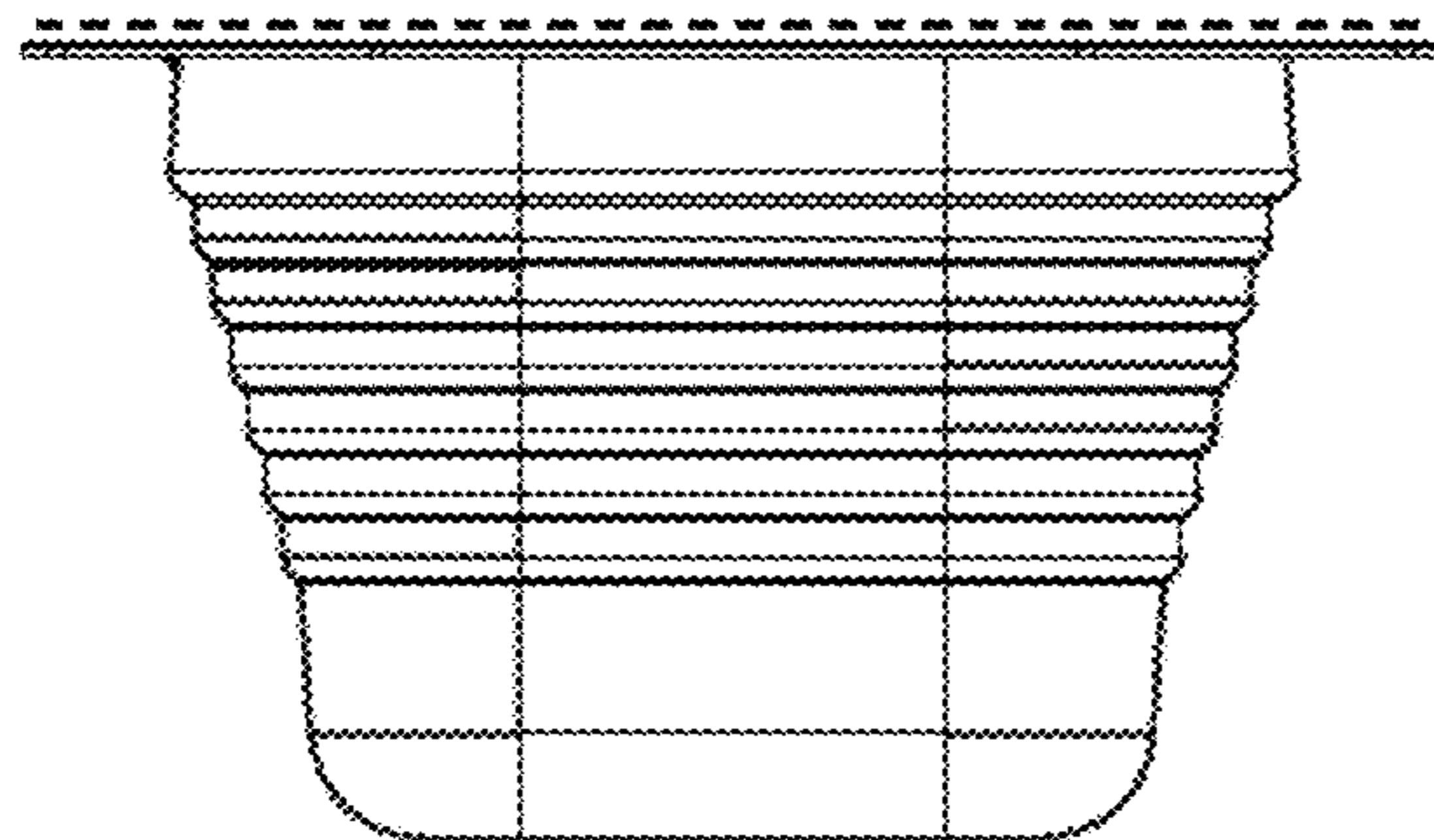


Fig. 5

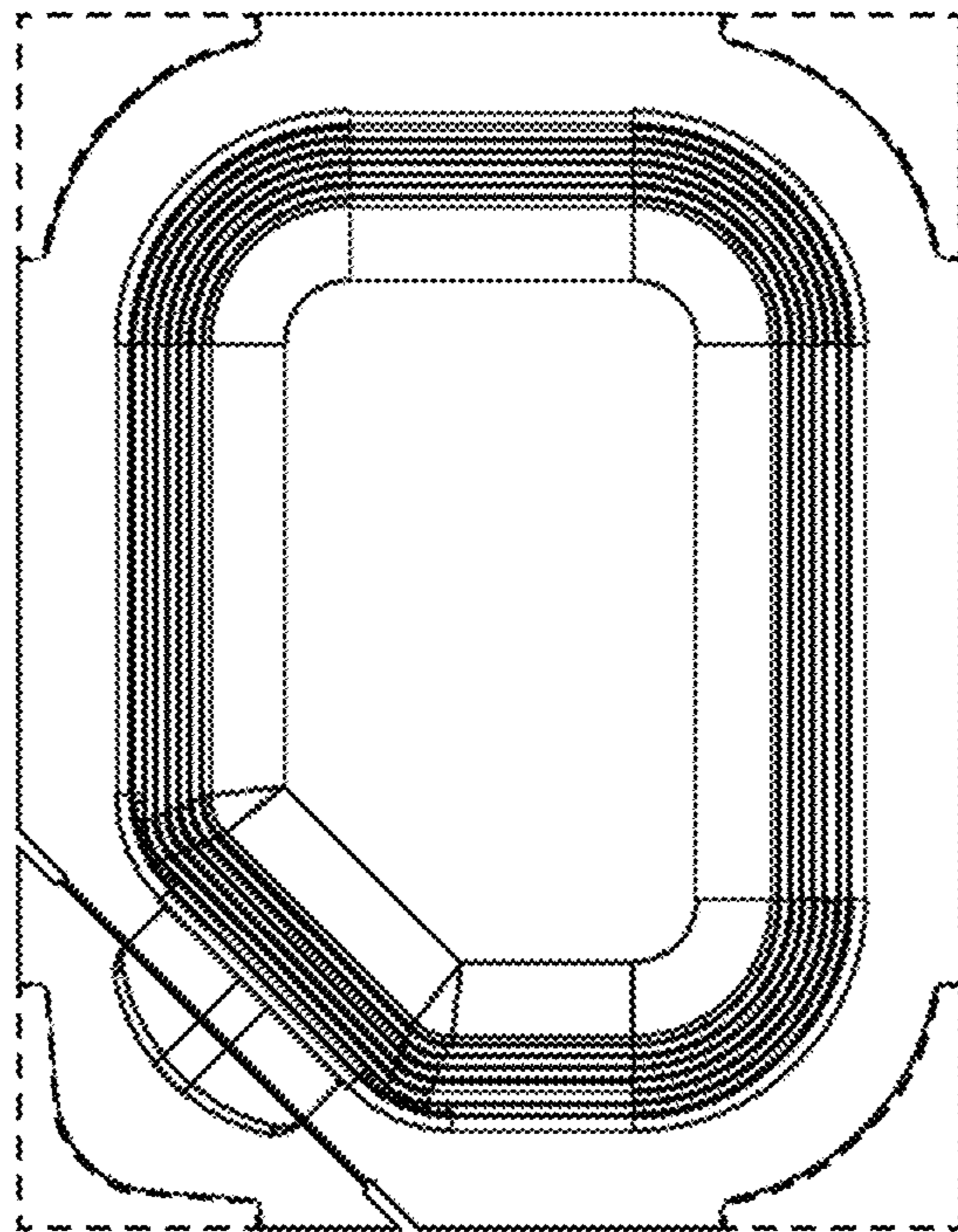


Fig. 6

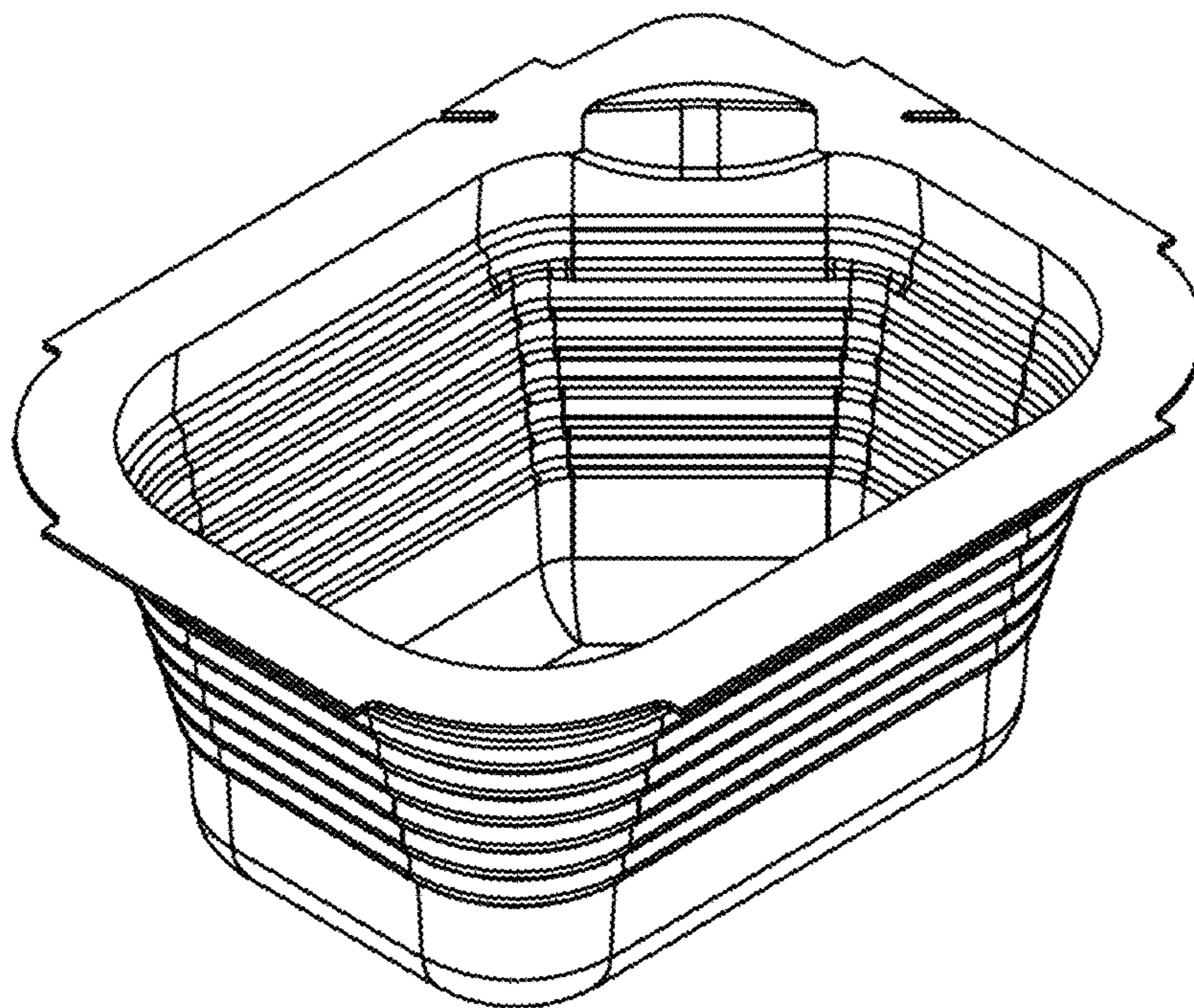


Fig. 7

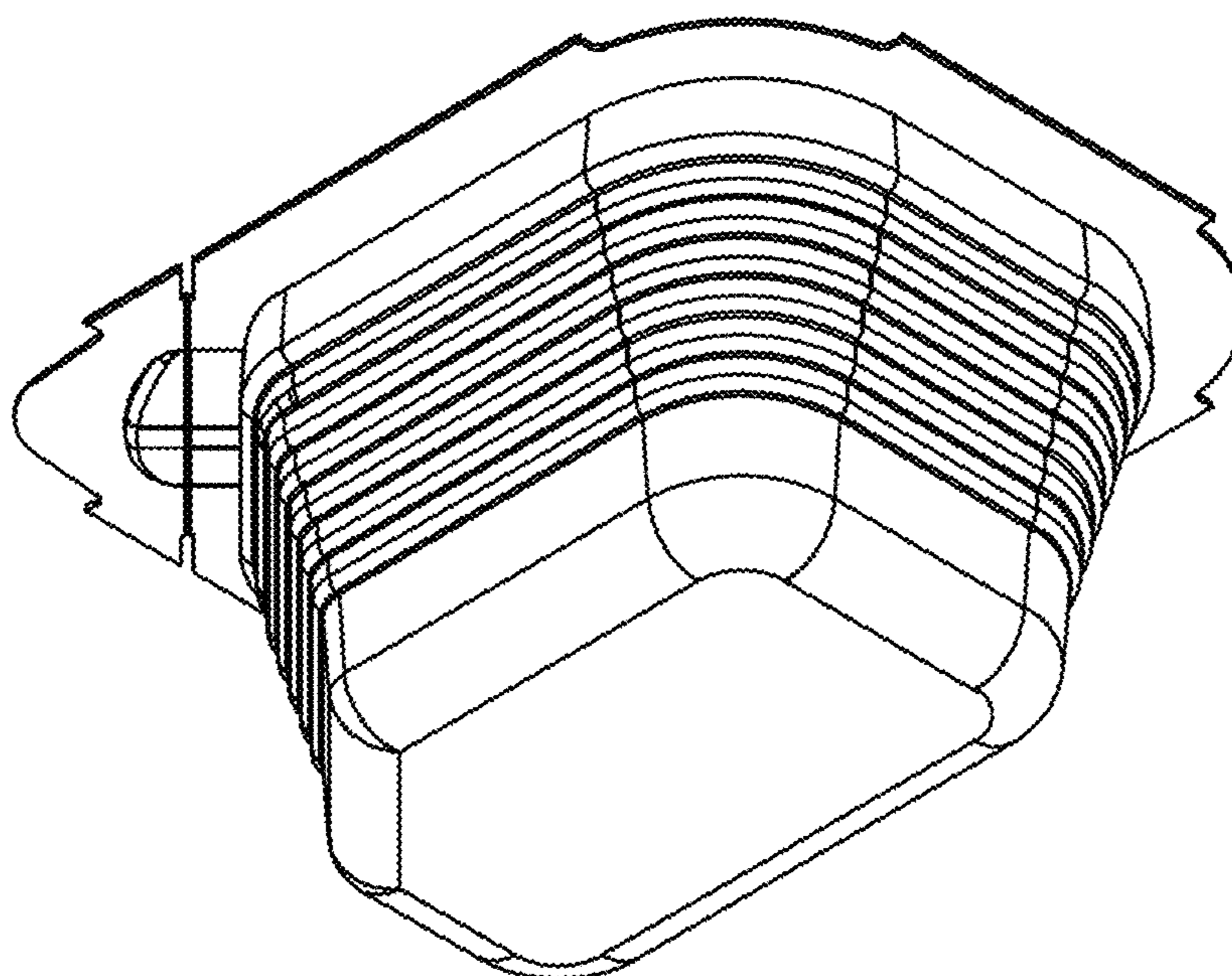


Fig. 8

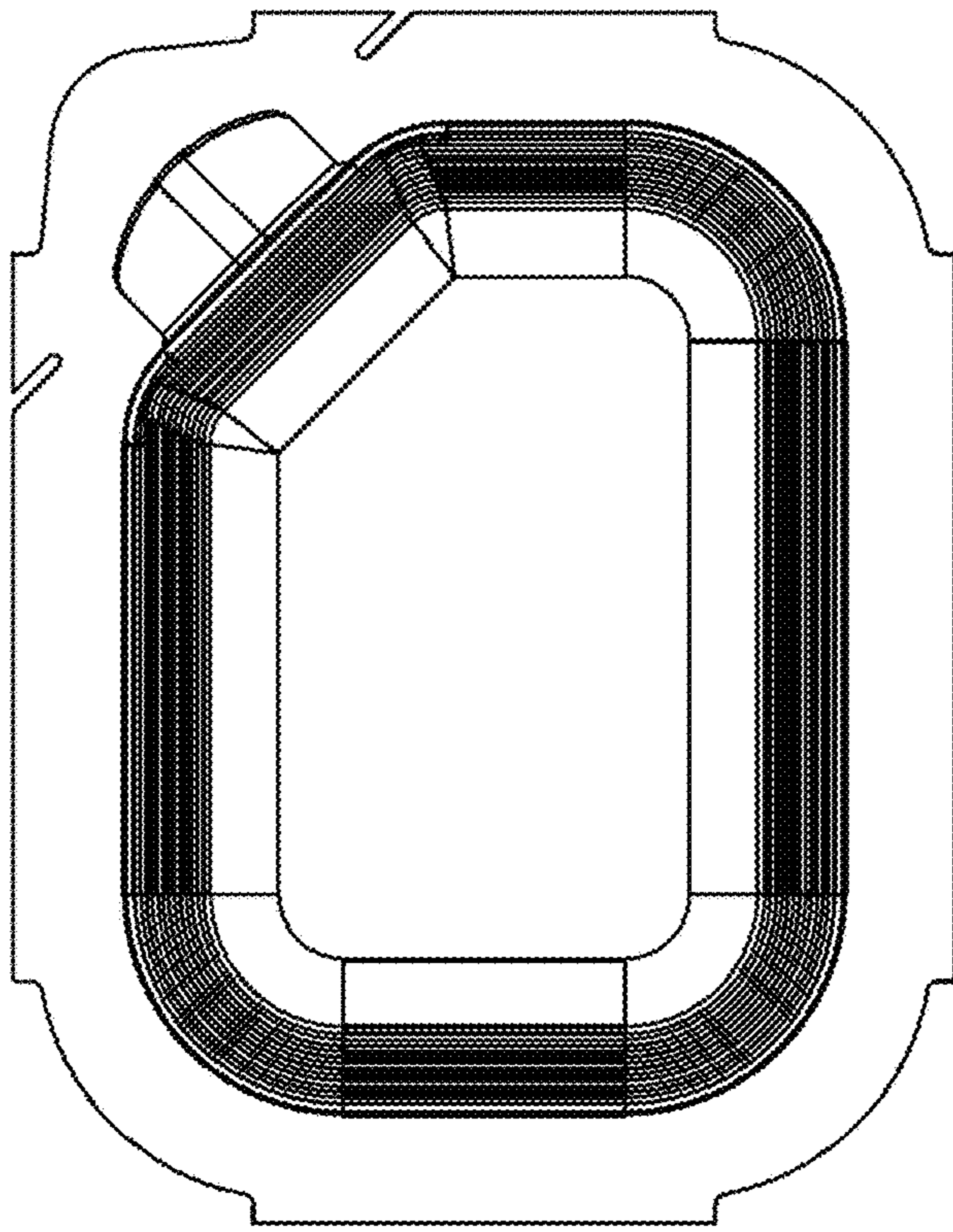


Fig. 9

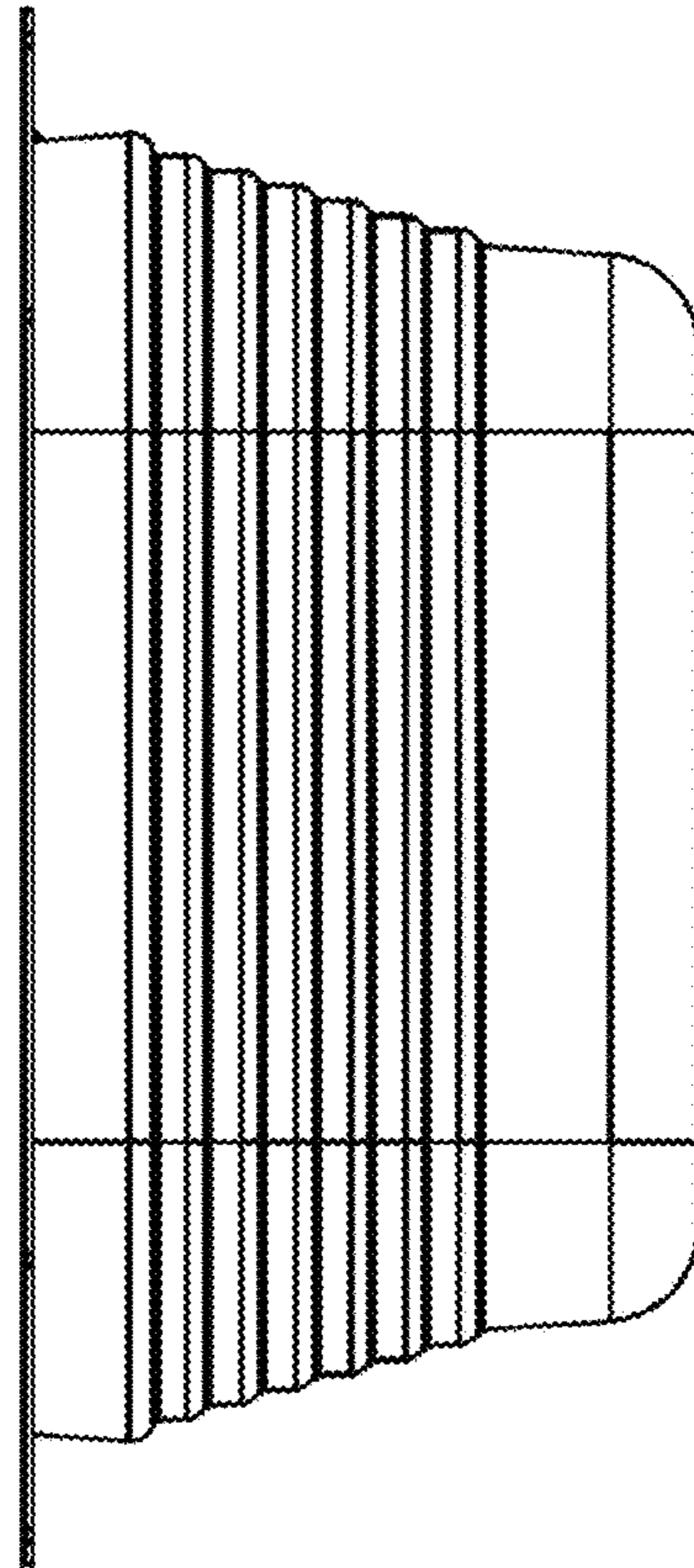


Fig. 10

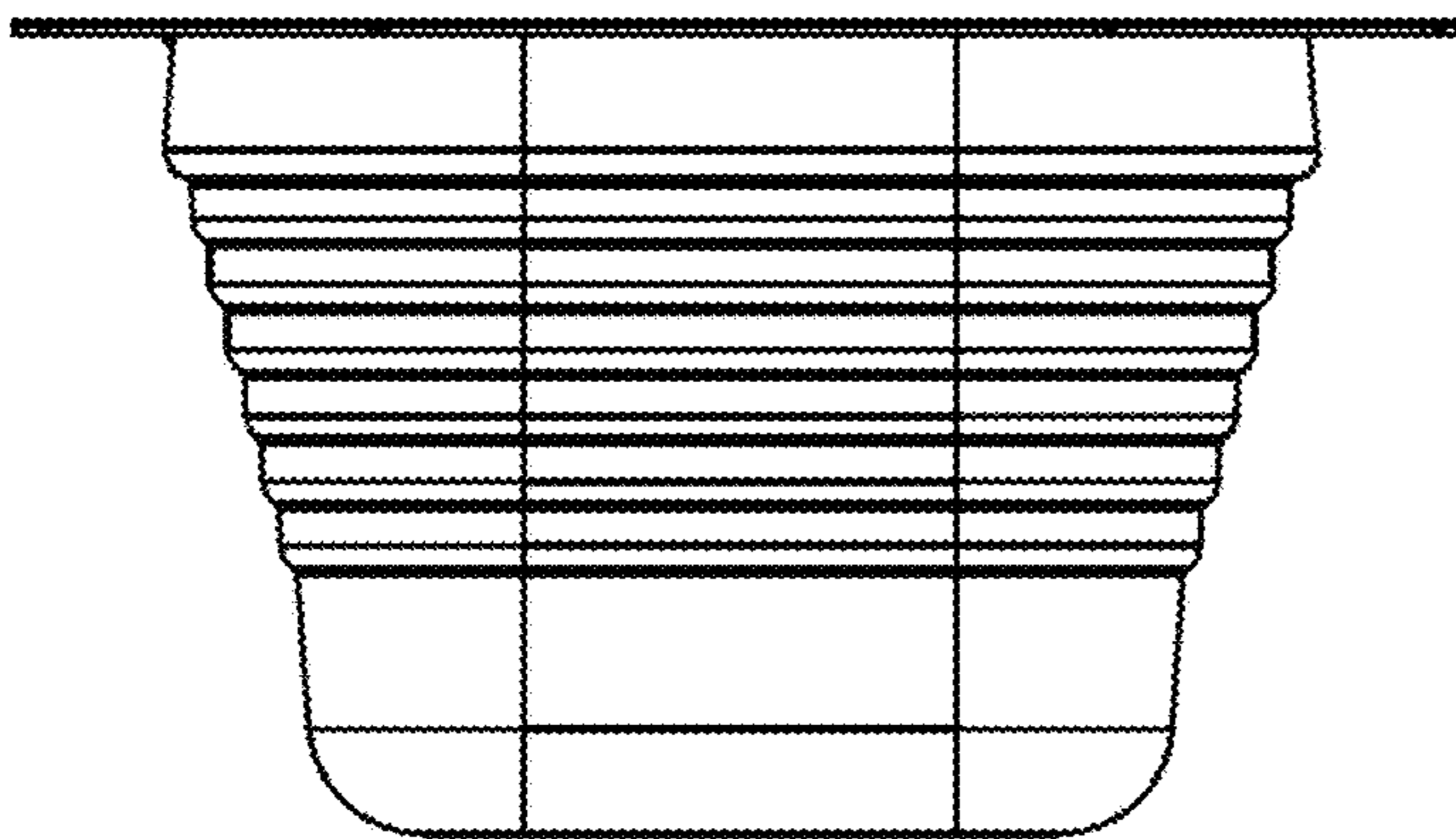


Fig. 11

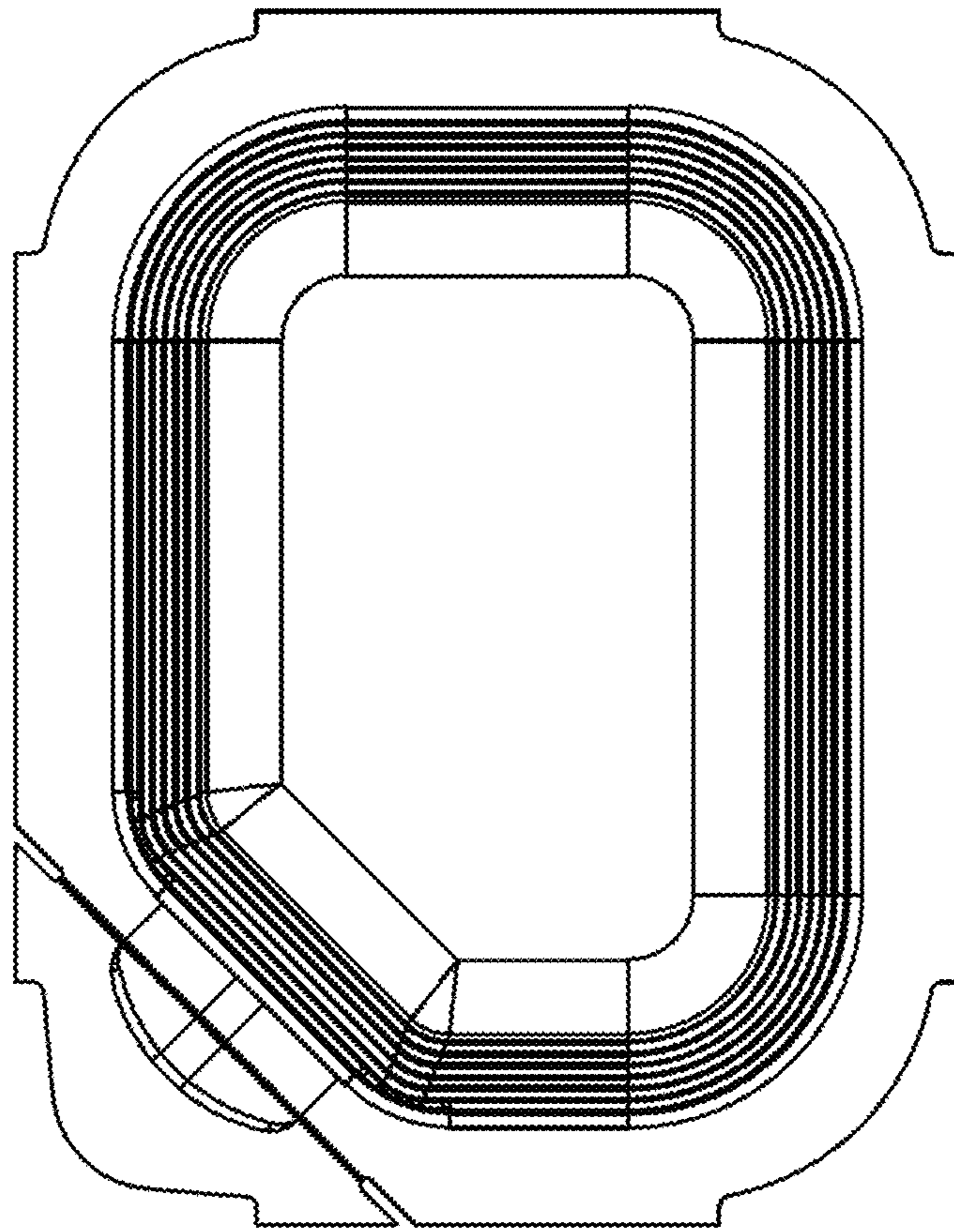


Fig. 12