



US00D839089S

(12) **United States Design Patent**
Burrell

(10) **Patent No.:** **US D839,089 S**
(45) **Date of Patent:** **** Jan. 29, 2019**

(54) **DISPLAY BOX WITH BOTTLES**

DESCRIPTION

(71) Applicant: **Colormatrix Europe Limited,**
Knowsley (GB)

(72) Inventor: **Peter Burrell,** Camberley (GB)

(73) Assignee: **Colormatrix Europe Limited,**
Merseyside, Knowsley (GB)

(**) Term: **14 Years**

(21) Appl. No.: **29/514,899**

(22) Filed: **Jan. 16, 2015**

(30) **Foreign Application Priority Data**

Jul. 18, 2014 (EM) 001422307-0001

Jul. 18, 2014 (EM) 001427850-0001

(Continued)

(51) **LOC (11) Cl.** **09-03**

(52) **U.S. Cl.**

USPC **D9/414; D9/420; D9/432**

(58) **Field of Classification Search**

USPC **D9/414, 420-423, 432, 433, 721, 737**

(Continued)

(56) **References Cited**

U.S. PATENT DOCUMENTS

1,726,732 A * 9/1929 Doran B65D 5/504
206/3

1,803,028 A * 4/1931 Menten B65D 5/5021
206/477

(Continued)

Primary Examiner — Lauren R Calve

(74) *Attorney, Agent, or Firm* — Downs Rachlin Martin
PLLC

(57) **CLAIM**

I claim the ornamental design for a display box with bottles,
as shown and described.

FIG. 1 is a perspective view of a display box with bottles
showing a first embodiment of my new design;

FIG. 2 is a front view thereof;

FIG. 3 is a rear view thereof;

FIG. 4 is a top view thereof;

FIG. 5 is a bottom view thereof;

FIG. 6 is a side view thereof;

FIG. 7 is another side view thereof;

FIG. 8 is a perspective view of a display box with bottles
showing a second embodiment of my new design;

FIG. 9 is a front view thereof;

FIG. 10 is a rear view thereof;

FIG. 11 is a top view thereof;

FIG. 12 is a bottom view thereof;

FIG. 13 is a side view thereof;

FIG. 14 is another side view thereof;

FIG. 15 is a perspective view of a display box with bottles
showing a third embodiment of my new design;

FIG. 16 is a front view thereof;

FIG. 17 is a rear view thereof;

FIG. 18 is a top view thereof;

FIG. 19 is a bottom view thereof;

FIG. 20 is a side view thereof;

FIG. 21 is another side view thereof;

FIG. 22 is a perspective view of a display box with bottles
showing a fourth embodiment of my new design;

FIG. 23 is a front view thereof;

FIG. 24 is a rear view thereof;

FIG. 25 is a top view thereof;

FIG. 26 is a bottom view thereof;

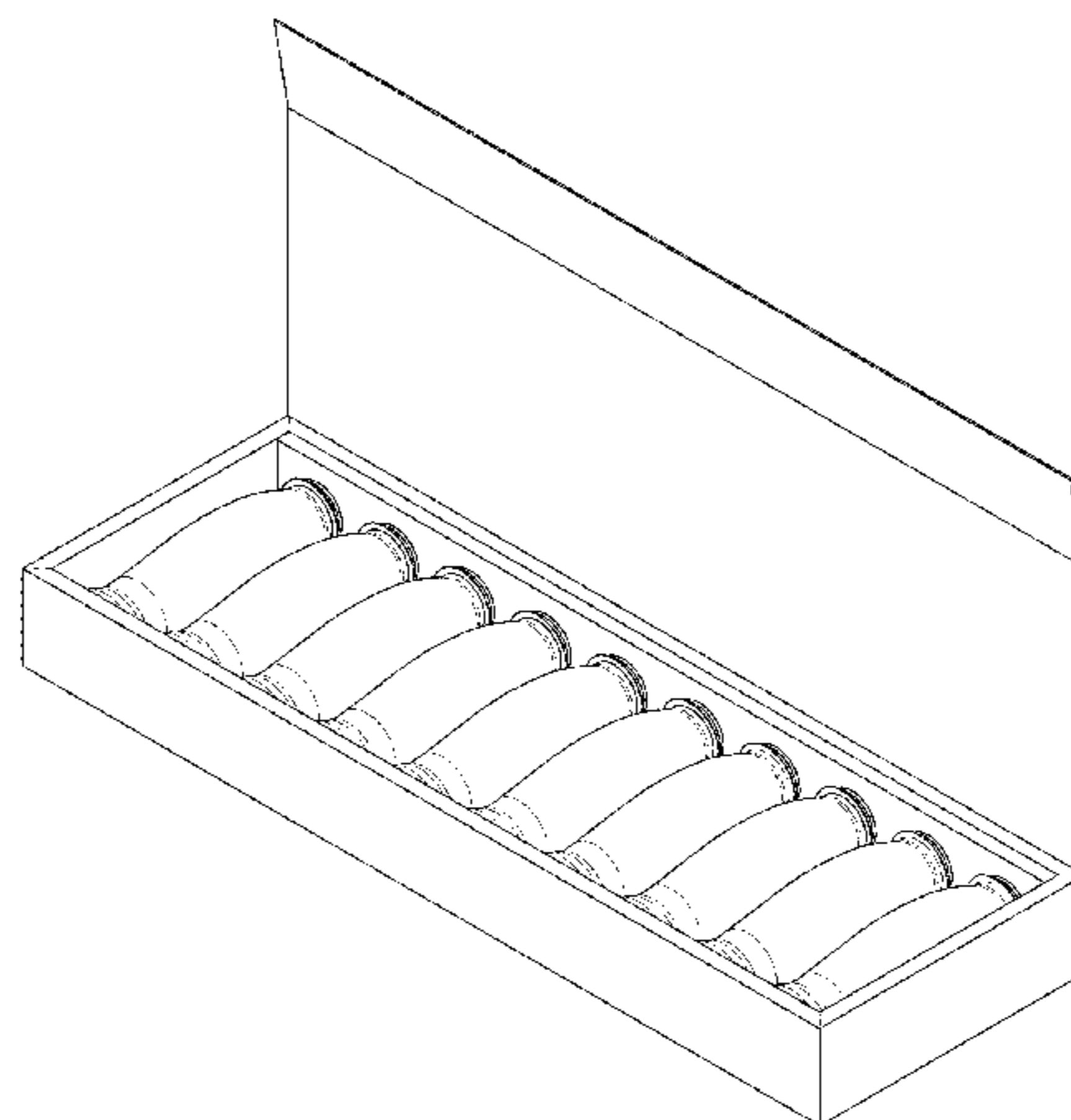
FIG. 27 is a side view thereof; and,

FIG. 28 is another side view thereof.

The broken lines in the Figures are for the purpose of
illustrating unclaimed portions of the display box with
bottles and form no part of the claimed design.

The third and fourth embodiments are shown with a sym-
bolic break in the length of the article. The appearance of
any portion of the article between the break lines forms no
part of the claimed design.

1 Claim, 28 Drawing Sheets



(30) Foreign Application Priority Data

Jul. 18, 2014 (EM) 001427876-0001
 Jul. 18, 2014 (EM) 001427884-0001
 Jul. 18, 2014 (EM) 001427892-0001
 Jul. 18, 2014 (EM) 002505446
 Jul. 18, 2014 (EM) 011427868-0001

(58) Field of Classification Search

CPC B65D 5/5021; B65D 5/5023; B65D 5/526;
 B65D 5/5213; B65D 5/5038; B65D
 43/162; B65D 75/32; B65D 2571/0066;
 B65D 5/5035; B65D 85/12; B65D 25/04;
 B65D 5/20; Y10S 435/81

See application file for complete search history.

(56) References Cited

U.S. PATENT DOCUMENTS

2,368,753 A * 2/1945 Elliott B65D 5/5042
 206/419
 D165,677 S * 1/1952 Batkin D9/721
 2,854,135 A * 9/1958 Pantalone B65D 5/5007
 206/476
 2,951,583 A * 9/1960 Sanford B65D 5/5021
 206/419
 3,029,936 A * 4/1962 Graber B65D 81/36
 206/1.7
 3,482,678 A * 12/1969 Mason B65D 5/5011
 206/779
 3,743,088 A * 7/1973 Henkin A61B 5/00
 116/201
 3,811,563 A * 5/1974 Fox, II B65D 43/162
 206/459.5
 3,887,067 A * 6/1975 Collura B65D 73/0085
 206/277
 3,900,100 A * 8/1975 Girman B65D 5/5021
 206/45.29
 3,921,895 A * 11/1975 Ziche B65D 5/5021
 206/486
 D245,151 S * 7/1977 Sturm D9/614
 D268,098 S * 3/1983 Brown D9/418
 4,450,965 A * 5/1984 Paillet B65D 5/504
 206/443

4,504,407 A * 3/1985 Klutz, Jr. C11D 3/0031
 206/219
 4,584,042 A * 4/1986 Wandroik B44C 1/20
 156/280
 4,693,205 A * 9/1987 Thill B44C 1/04
 118/13
 D385,781 S * 11/1997 Levine D9/423
 5,712,005 A * 1/1998 Monn B44C 1/105
 206/223
 6,070,717 A * 6/2000 Philipson A47F 3/14
 206/278
 6,474,473 B2 * 11/2002 Wong B65D 5/5021
 206/427
 7,152,740 B1 * 12/2006 Chang B65D 5/4204
 206/526
 7,331,465 B2 * 2/2008 Parrington B65D 77/003
 206/583
 7,624,876 B1 * 12/2009 Green B65D 5/5021
 206/485
 8,584,848 B1 * 11/2013 Lee B65D 83/10
 206/353
 D731,325 S * 6/2015 Loessin D9/737
 D741,200 S * 10/2015 Lee D9/748
 9,371,151 B2 * 6/2016 Nadeau B65D 5/5213
 2002/0144441 A1 * 10/2002 Zentmire G09F 3/20
 40/575
 2003/0136705 A1 * 7/2003 Roth A24C 1/00
 206/582
 2004/0144674 A1 * 7/2004 Mierisch B65D 5/48
 206/446
 2004/0232015 A1 * 11/2004 Merckell B65D 5/5213
 206/250
 2008/0000794 A1 * 1/2008 Aldridge B65D 75/367
 206/467
 2010/0065618 A1 * 3/2010 Lechevalier B65D 71/38
 229/103.2
 2013/0056527 A1 * 3/2013 Thuemichen B65D 5/504
 229/120.06
 2014/0175101 A1 * 6/2014 Dixon B65D 5/6661
 220/529
 2014/0197055 A1 * 7/2014 Lahmann B65D 85/12
 206/268
 2016/0200482 A1 * 7/2016 Chicca-Hess B65D 5/6647
 206/772

* cited by examiner

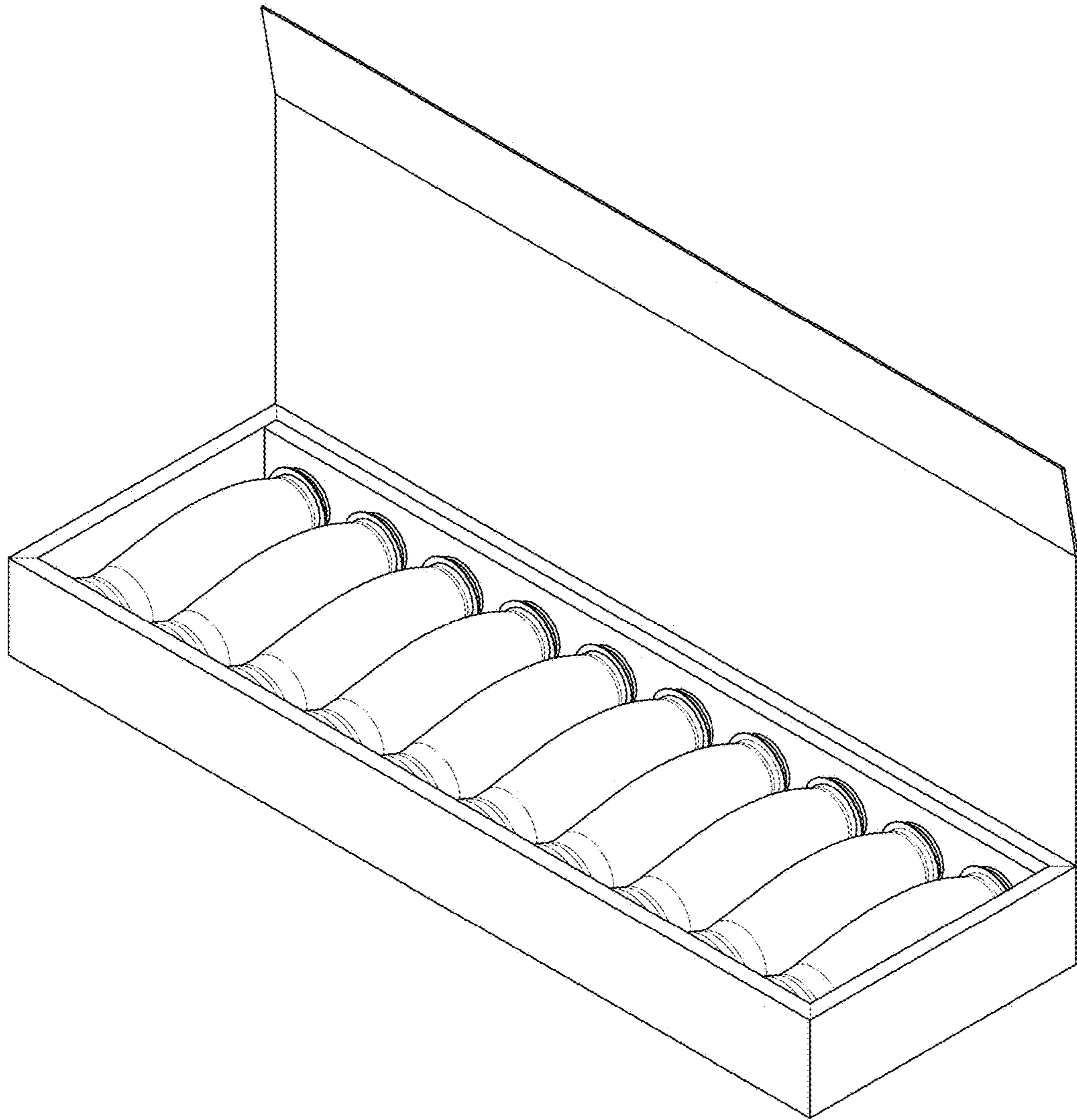


FIG. 1

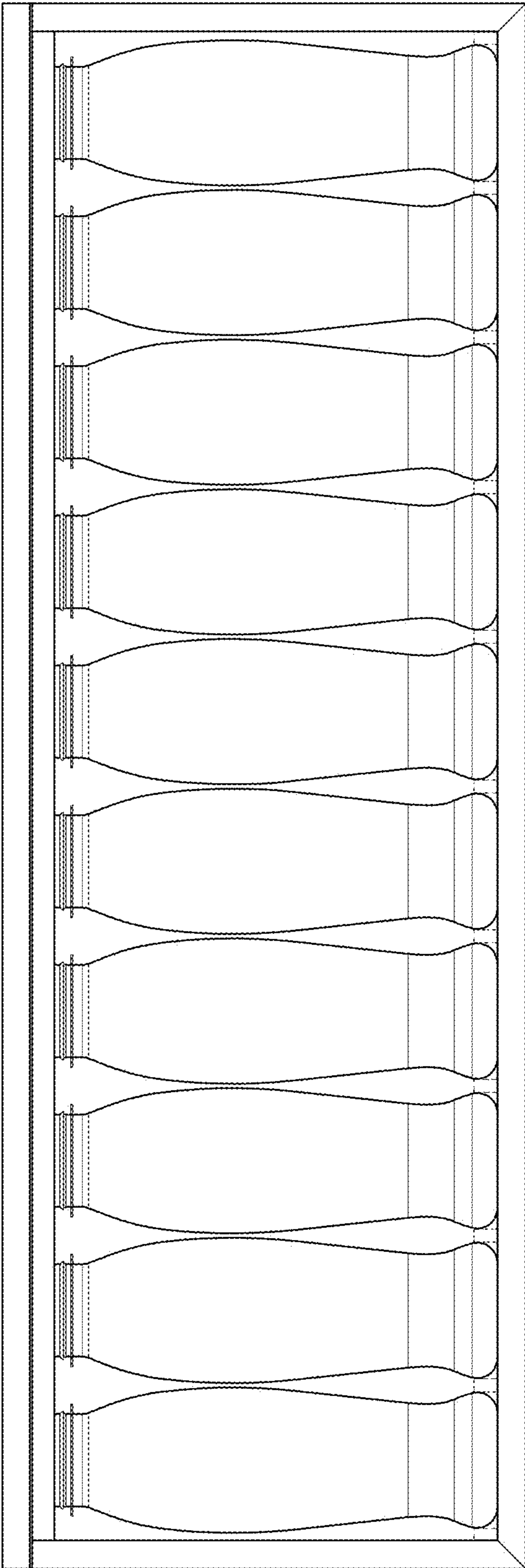


FIG. 2

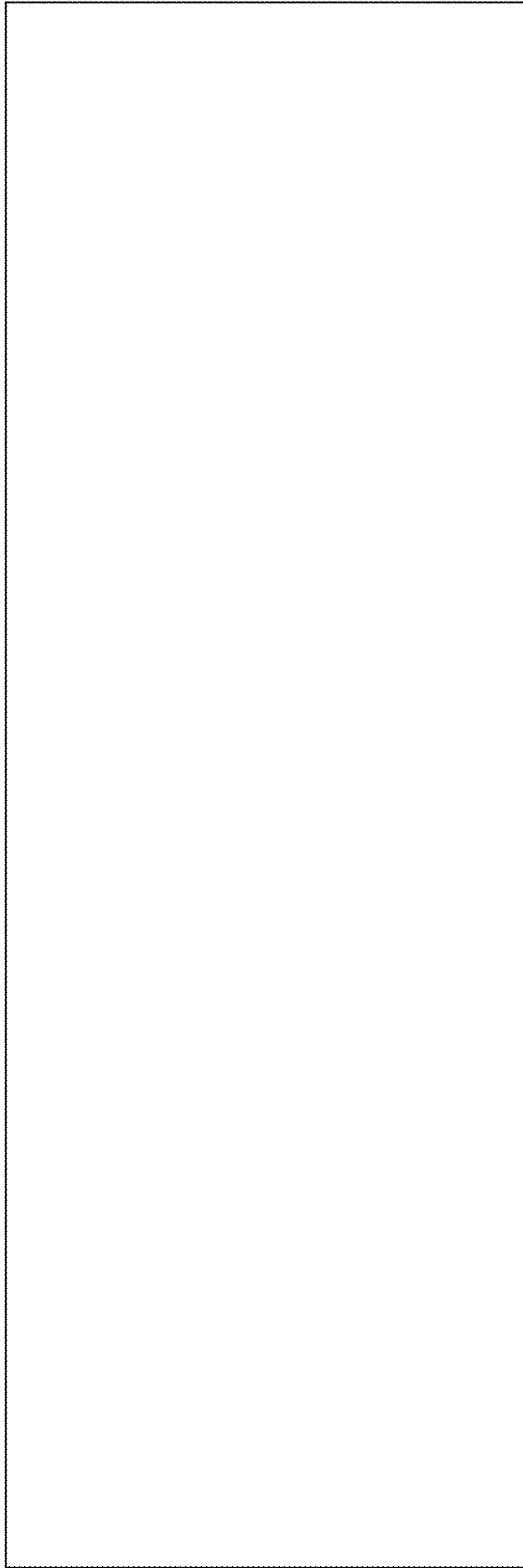


FIG. 3

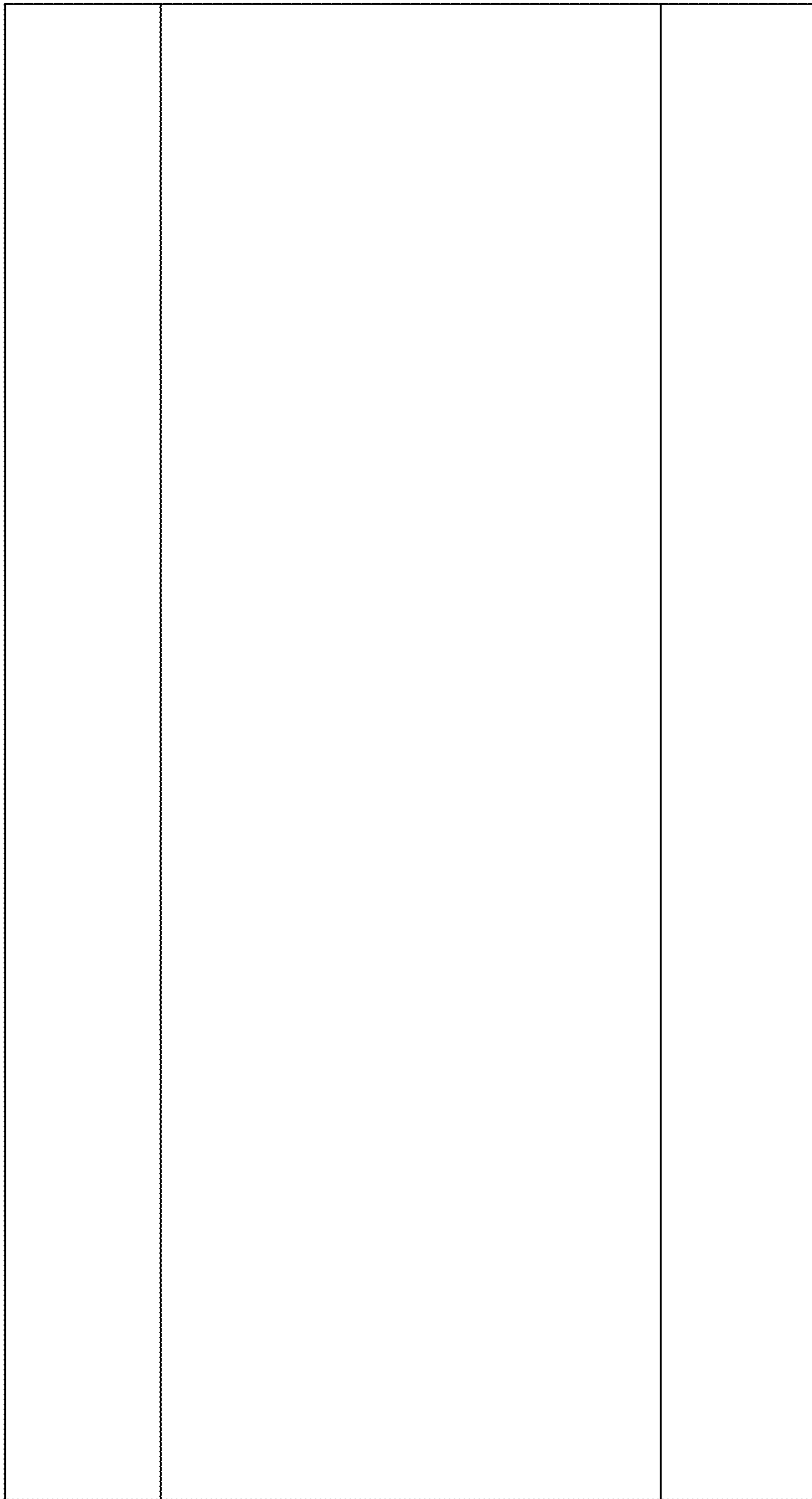


FIG. 4

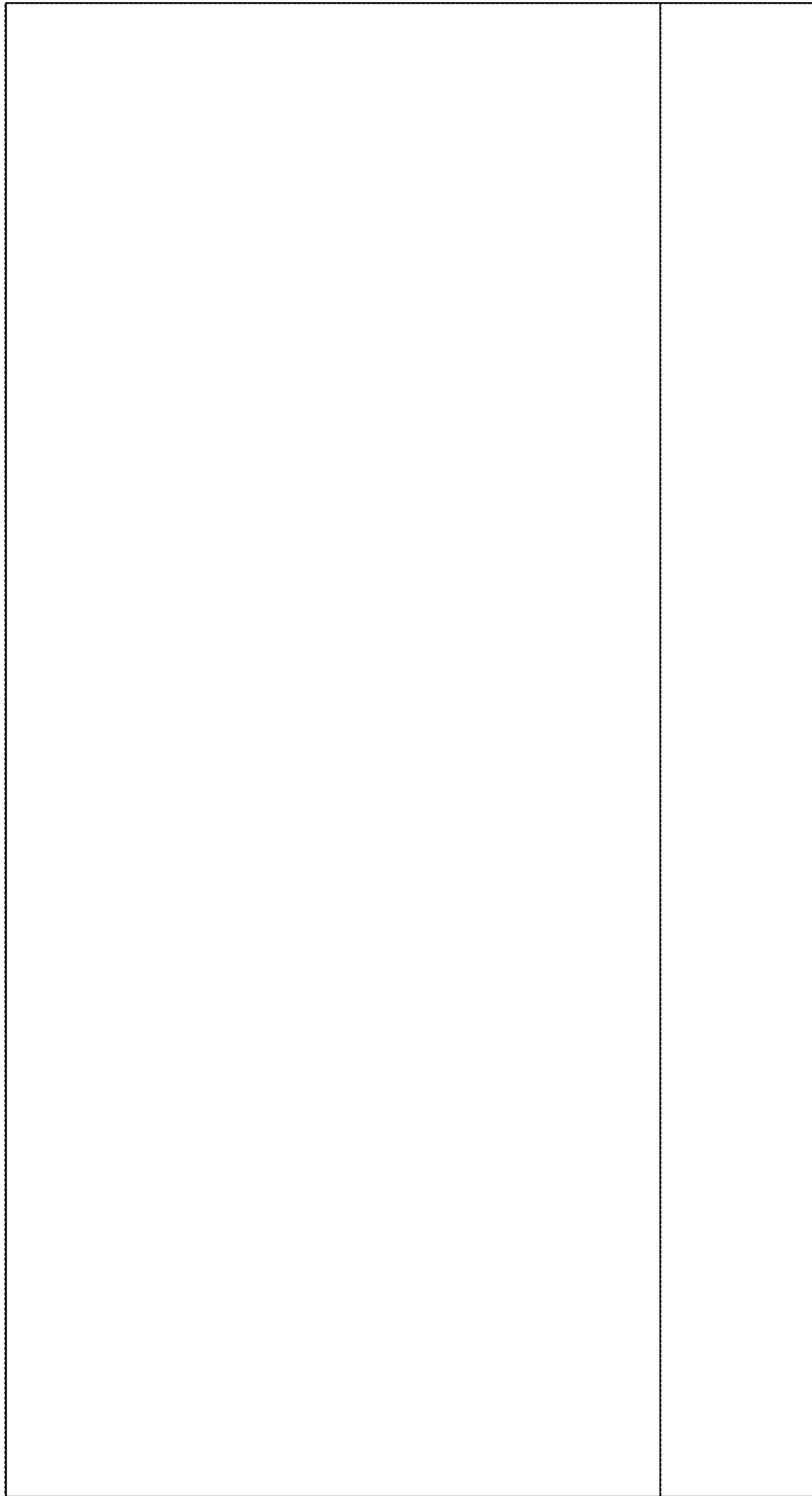


FIG. 5

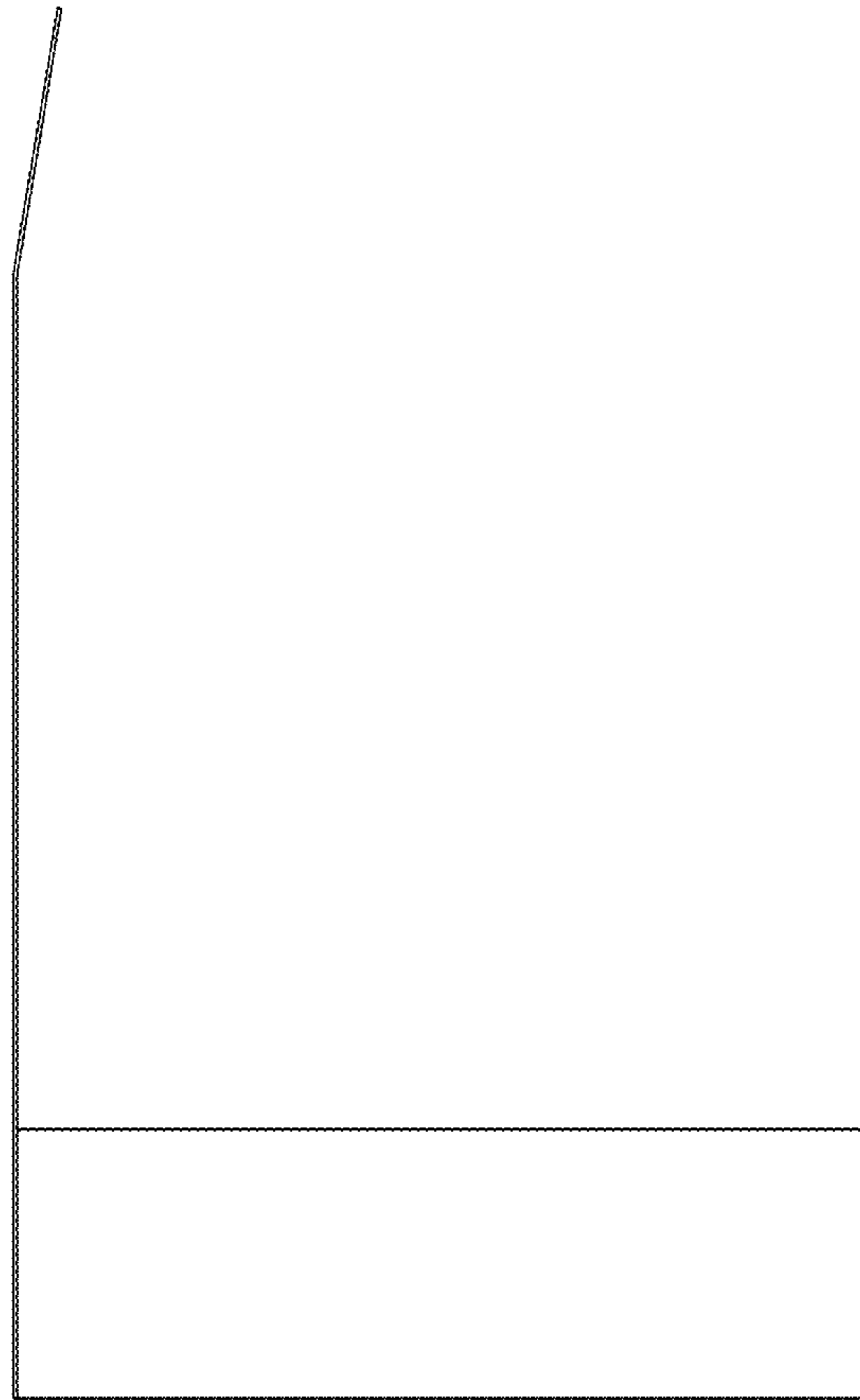


FIG. 6



FIG. 7

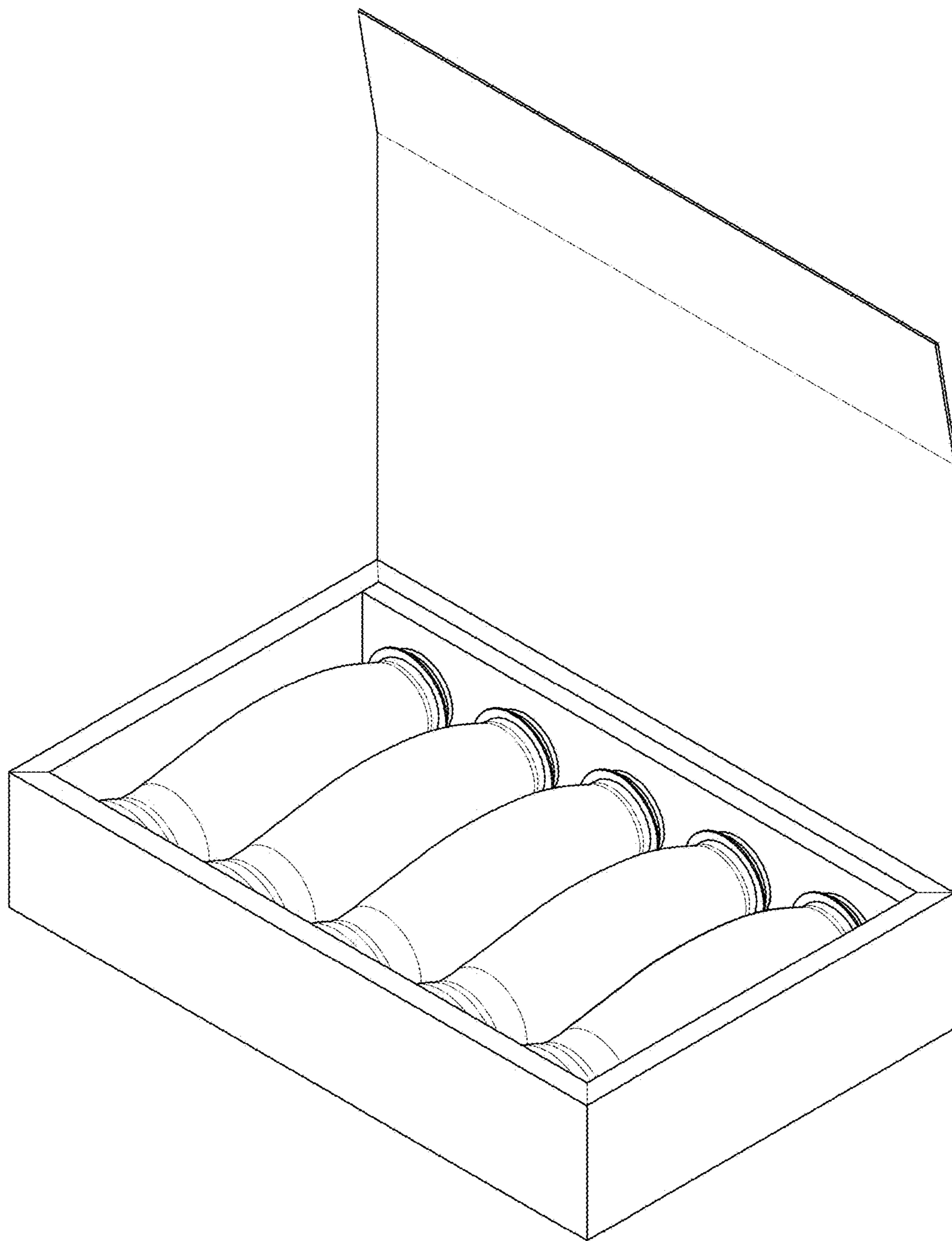


FIG. 8

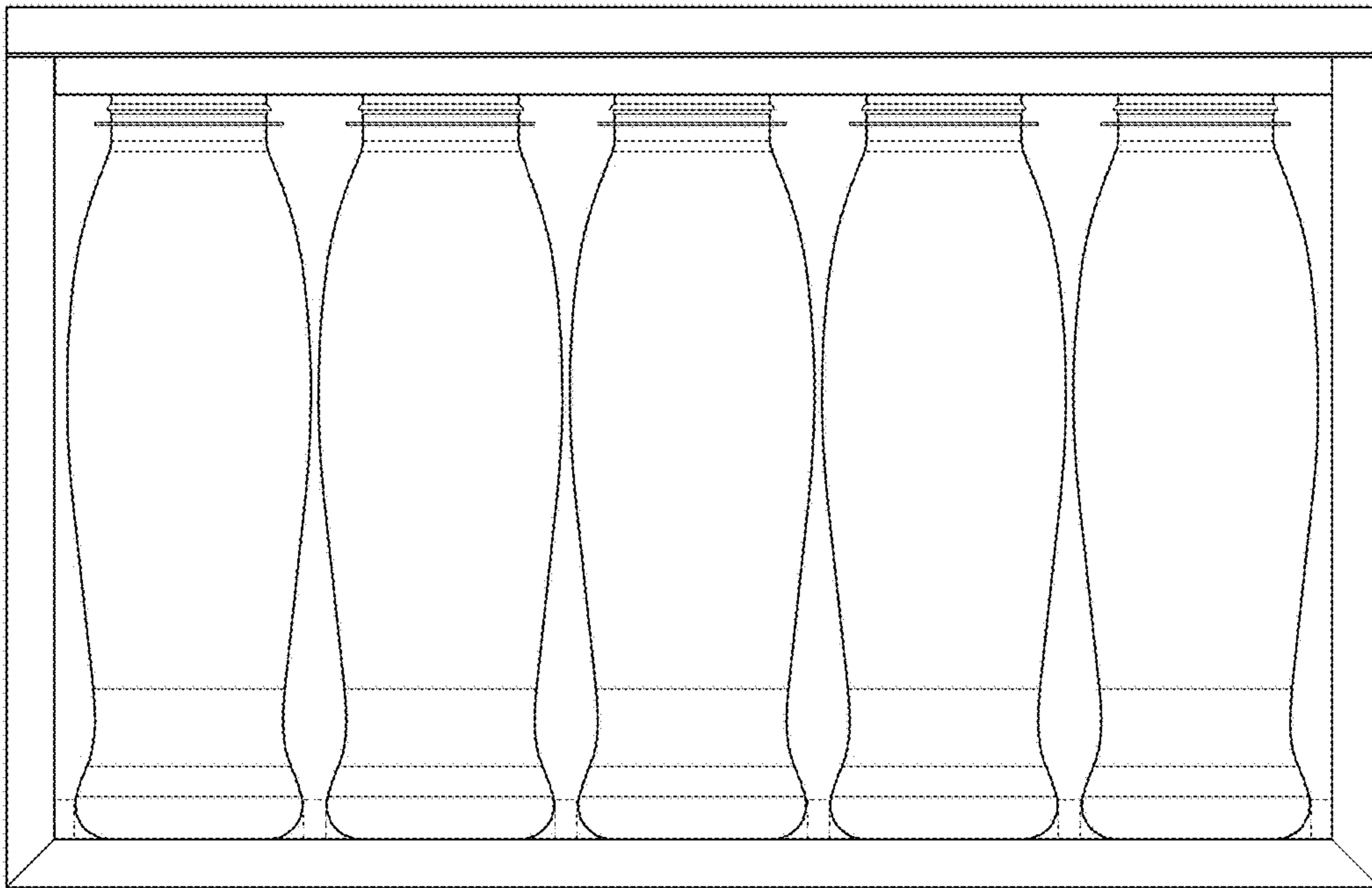


FIG. 9



FIG. 10

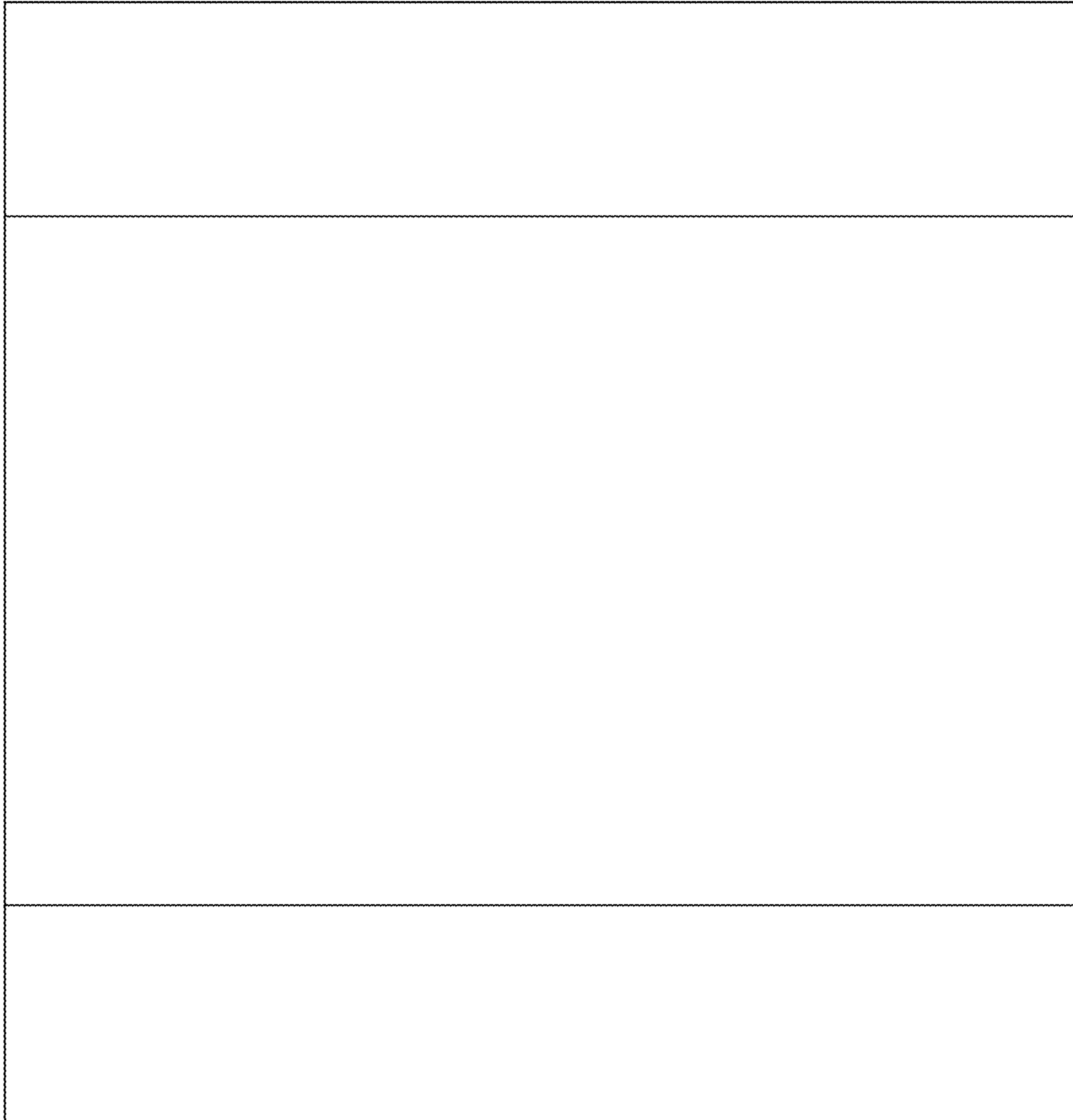


FIG. 11



FIG. 12



FIG. 13

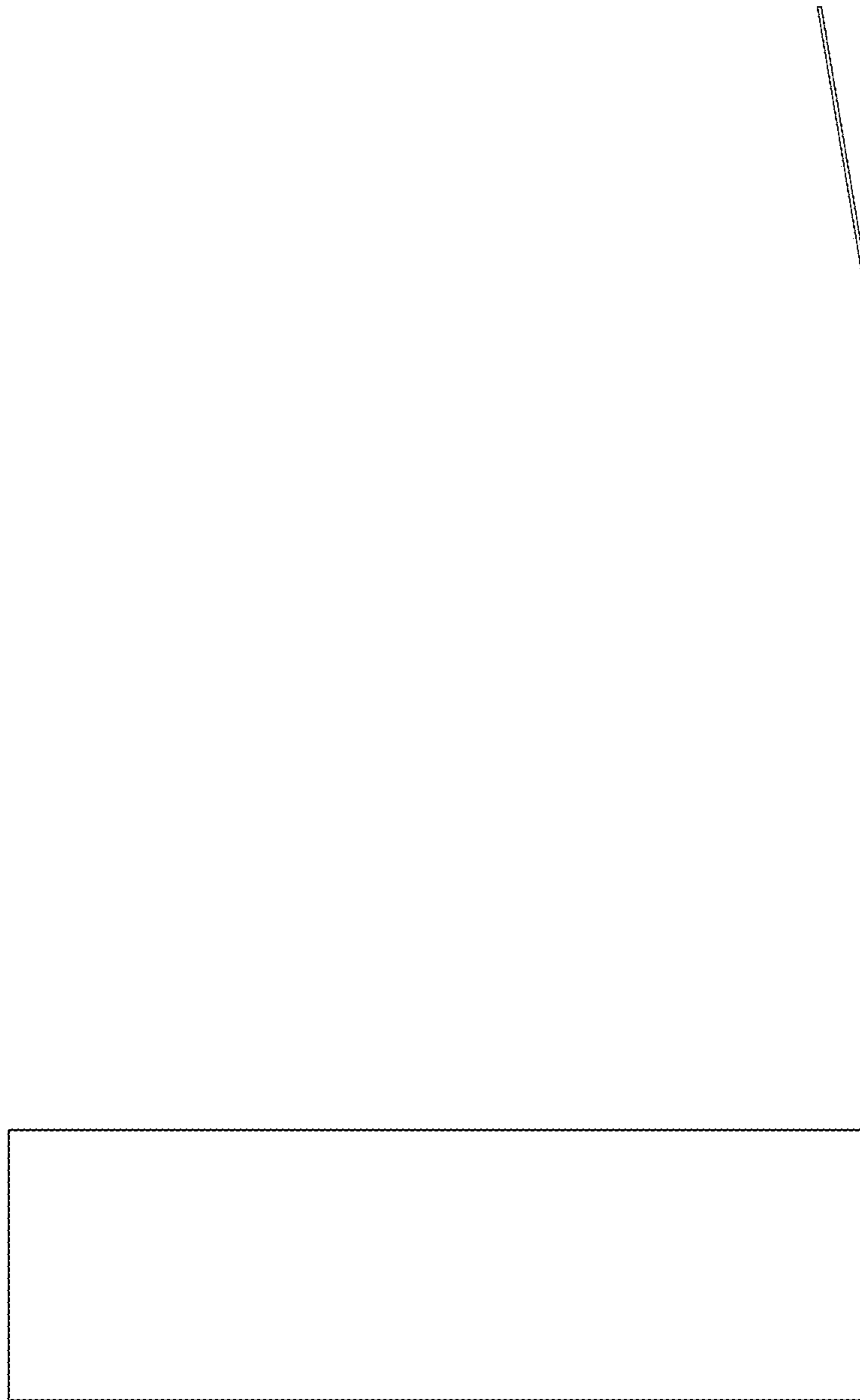


FIG. 14

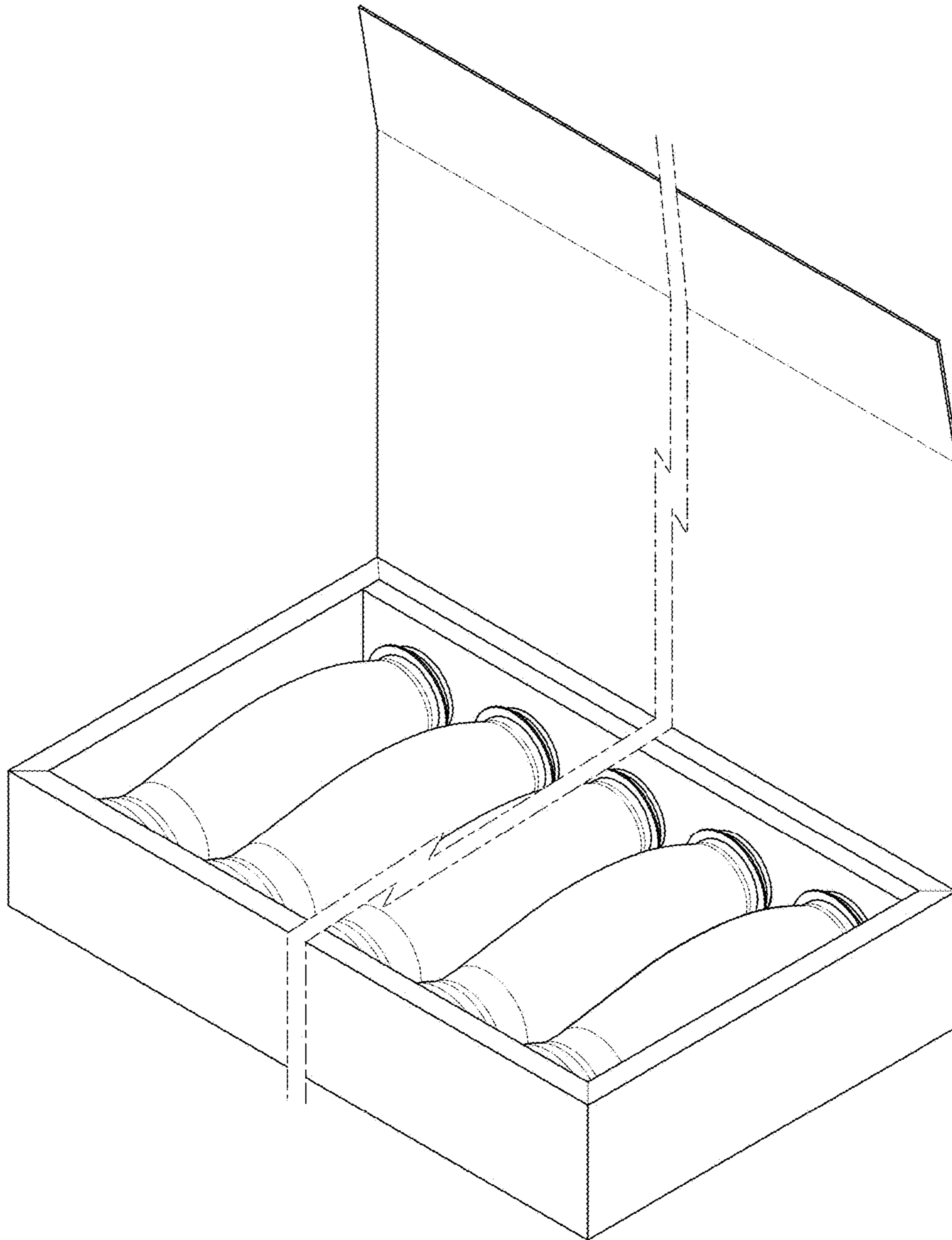


FIG. 15

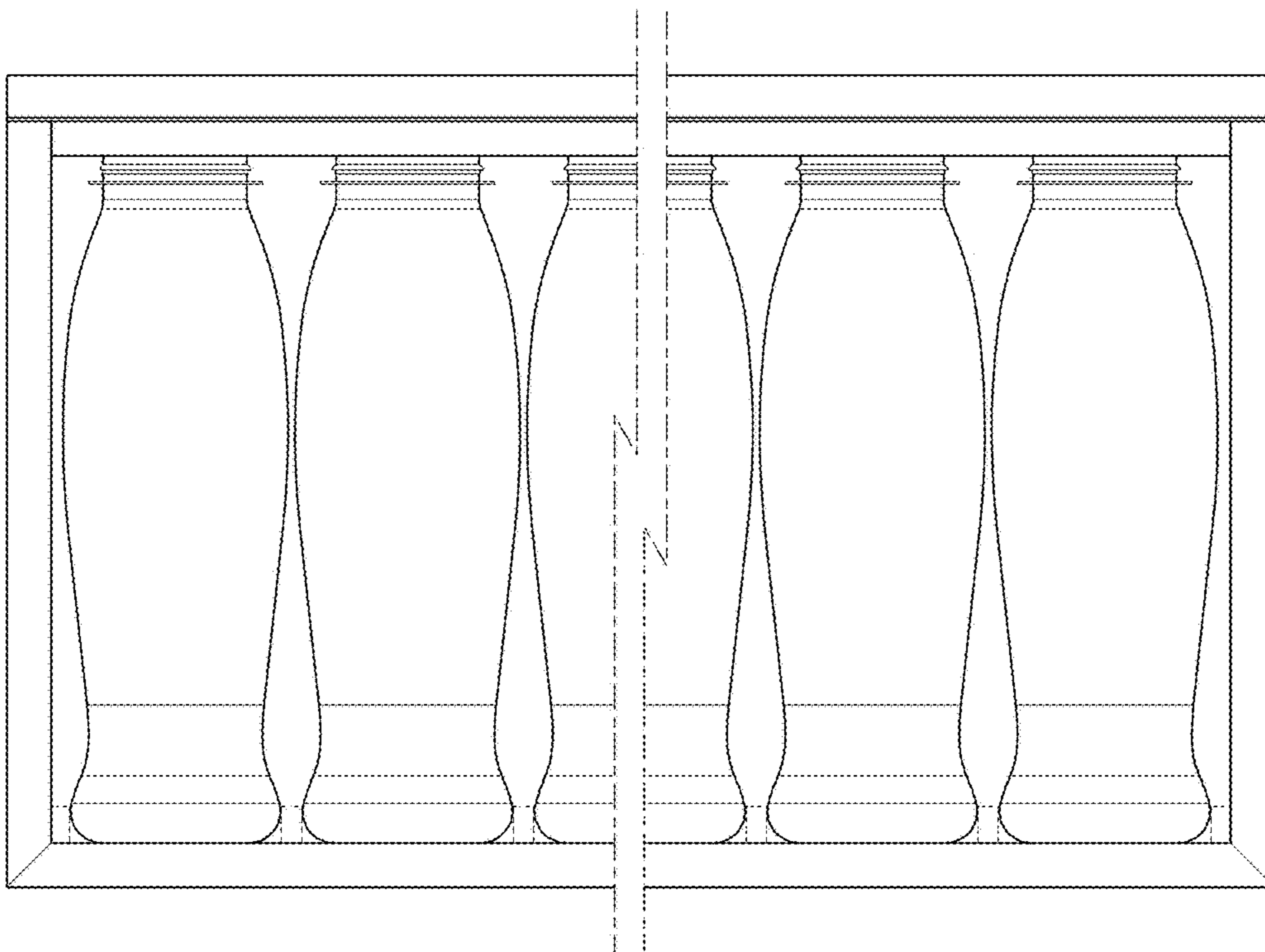


FIG. 16

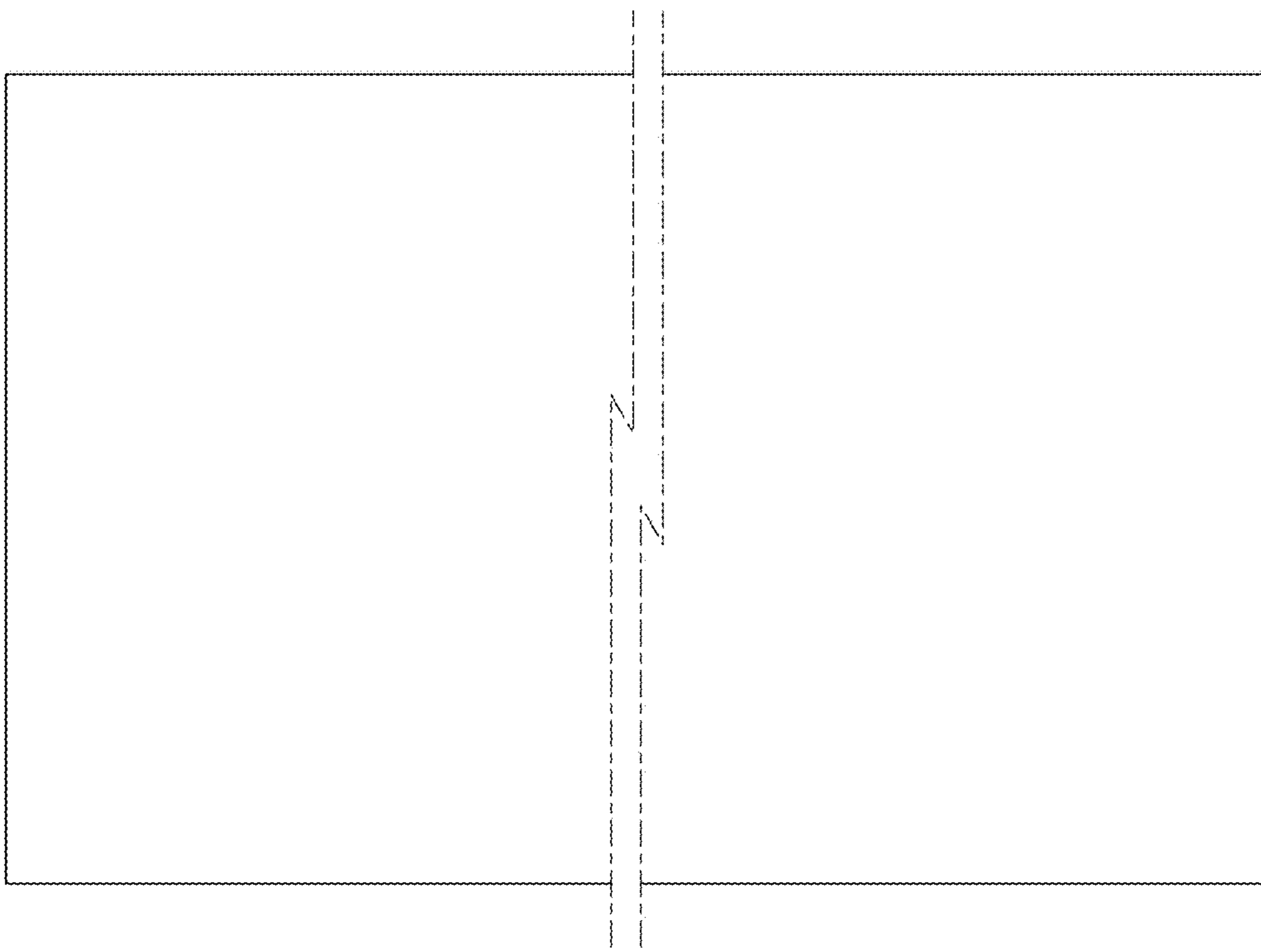


FIG. 17

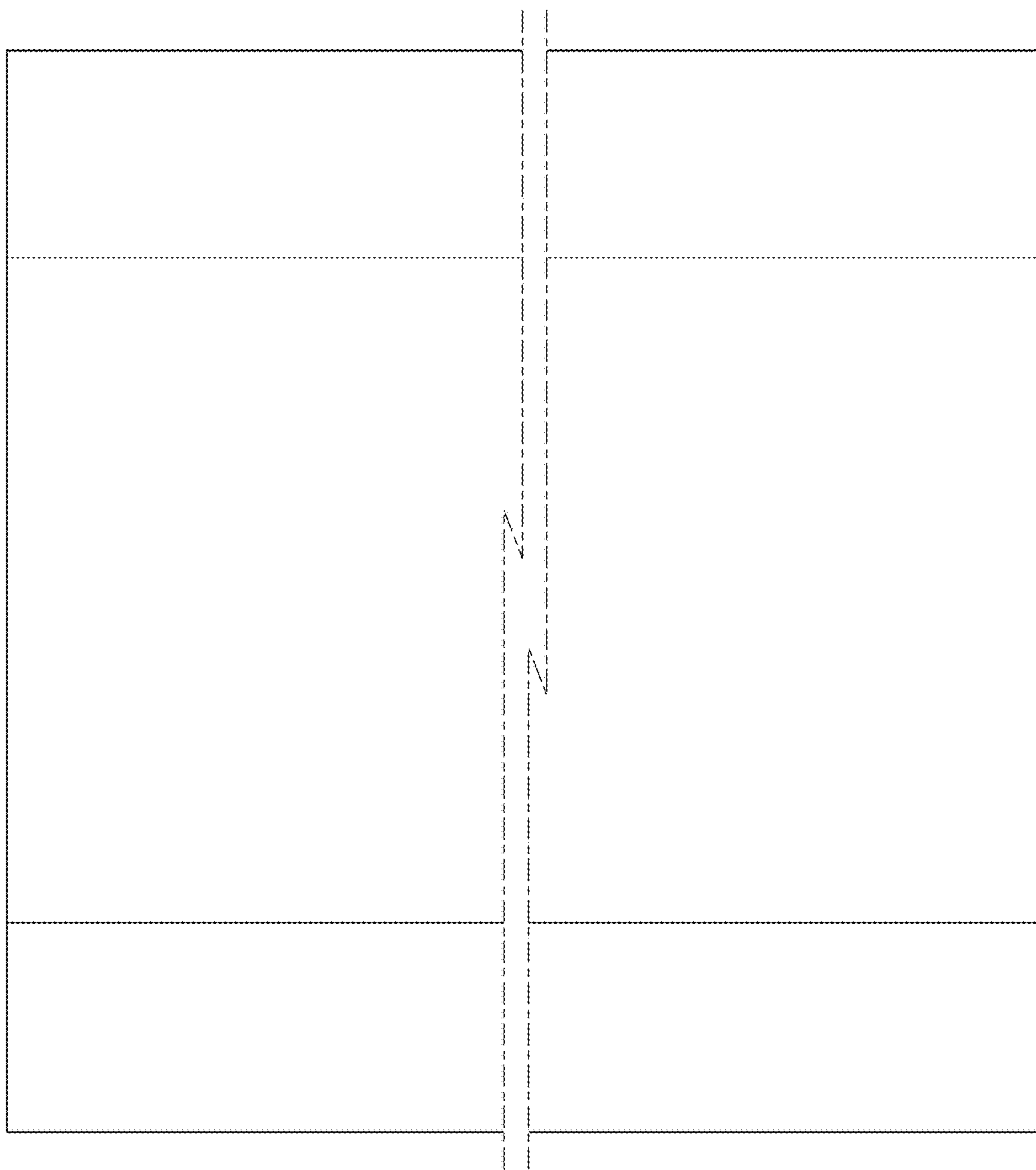


FIG. 18

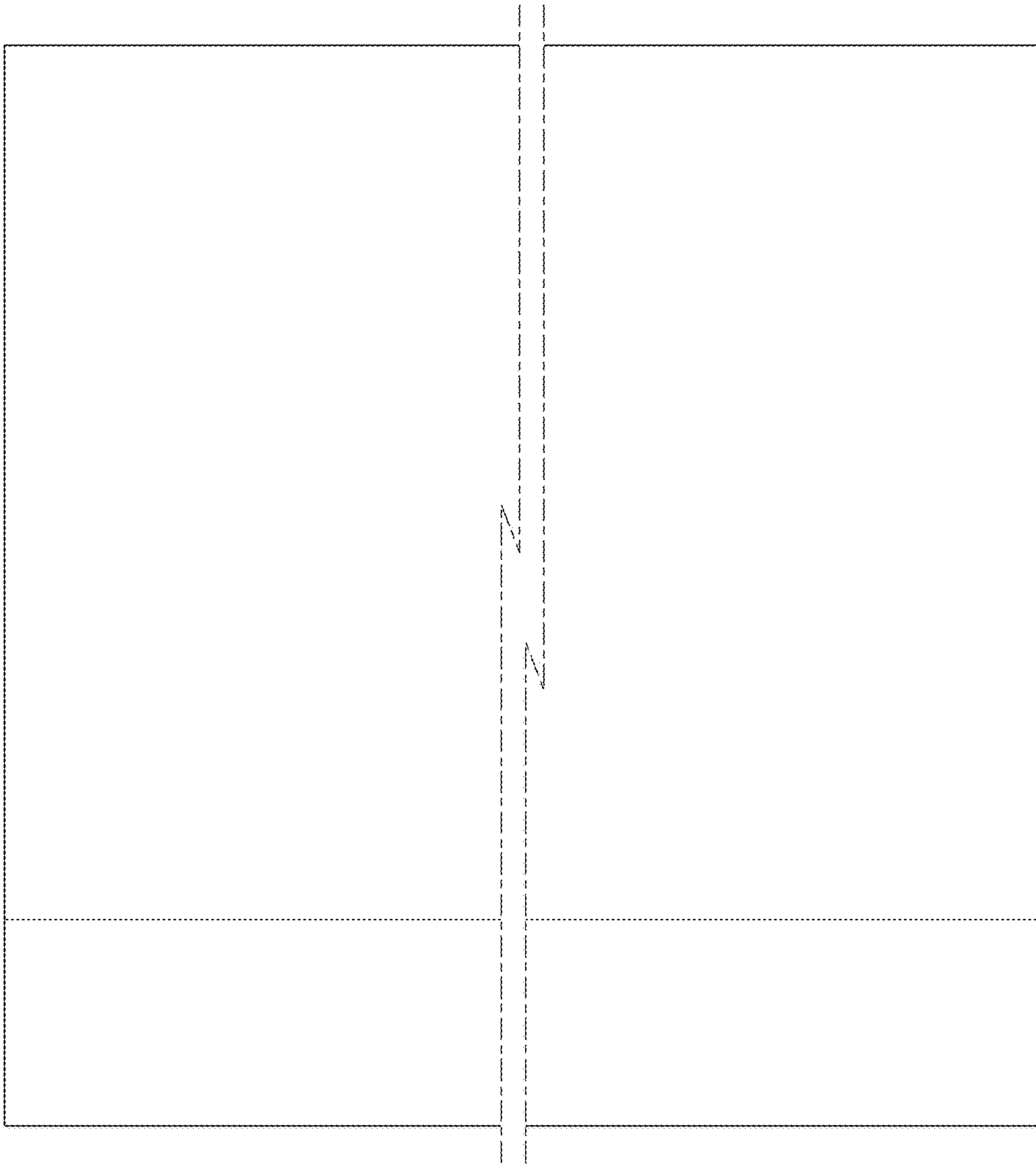


FIG. 19

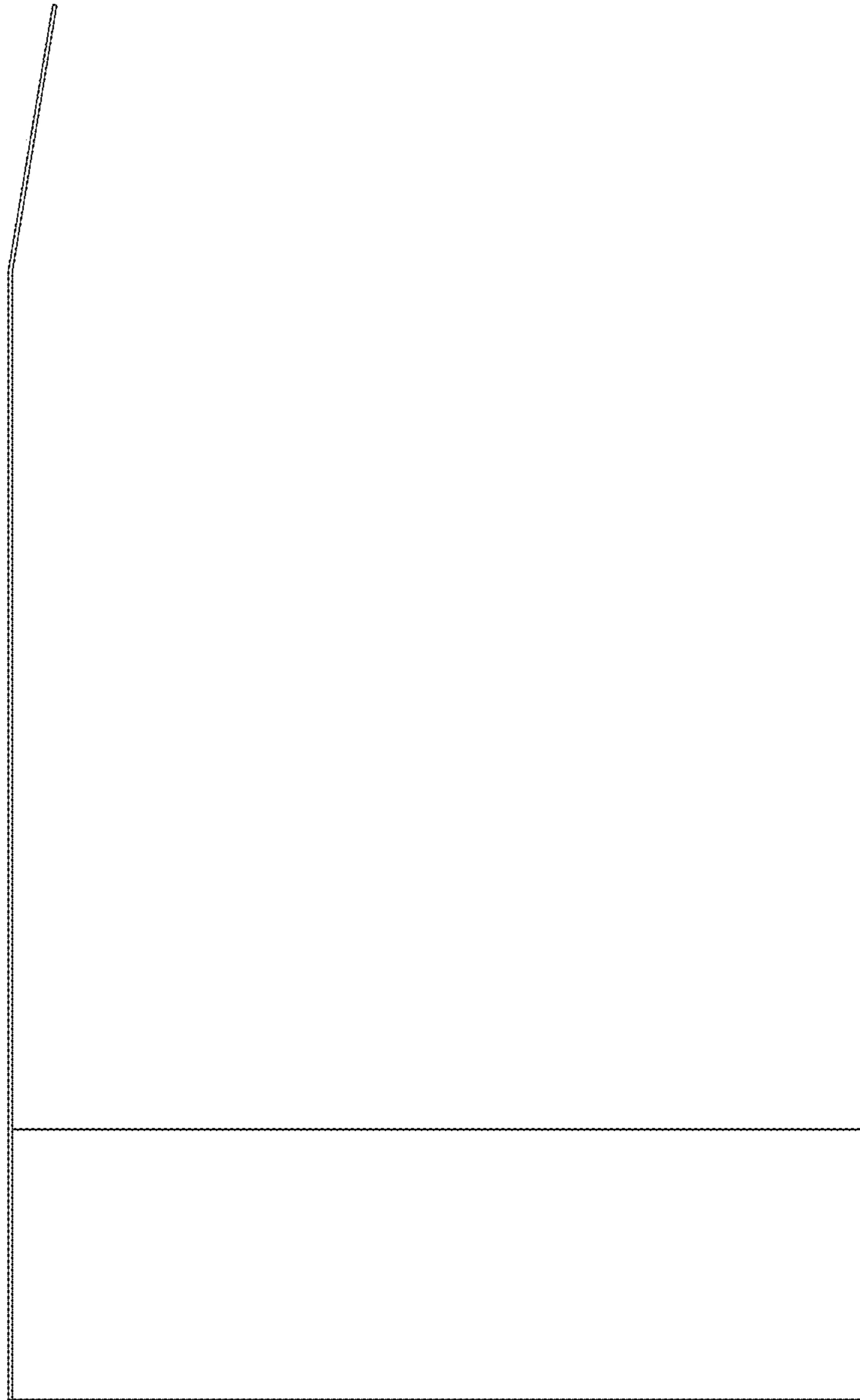


FIG. 20



FIG. 21

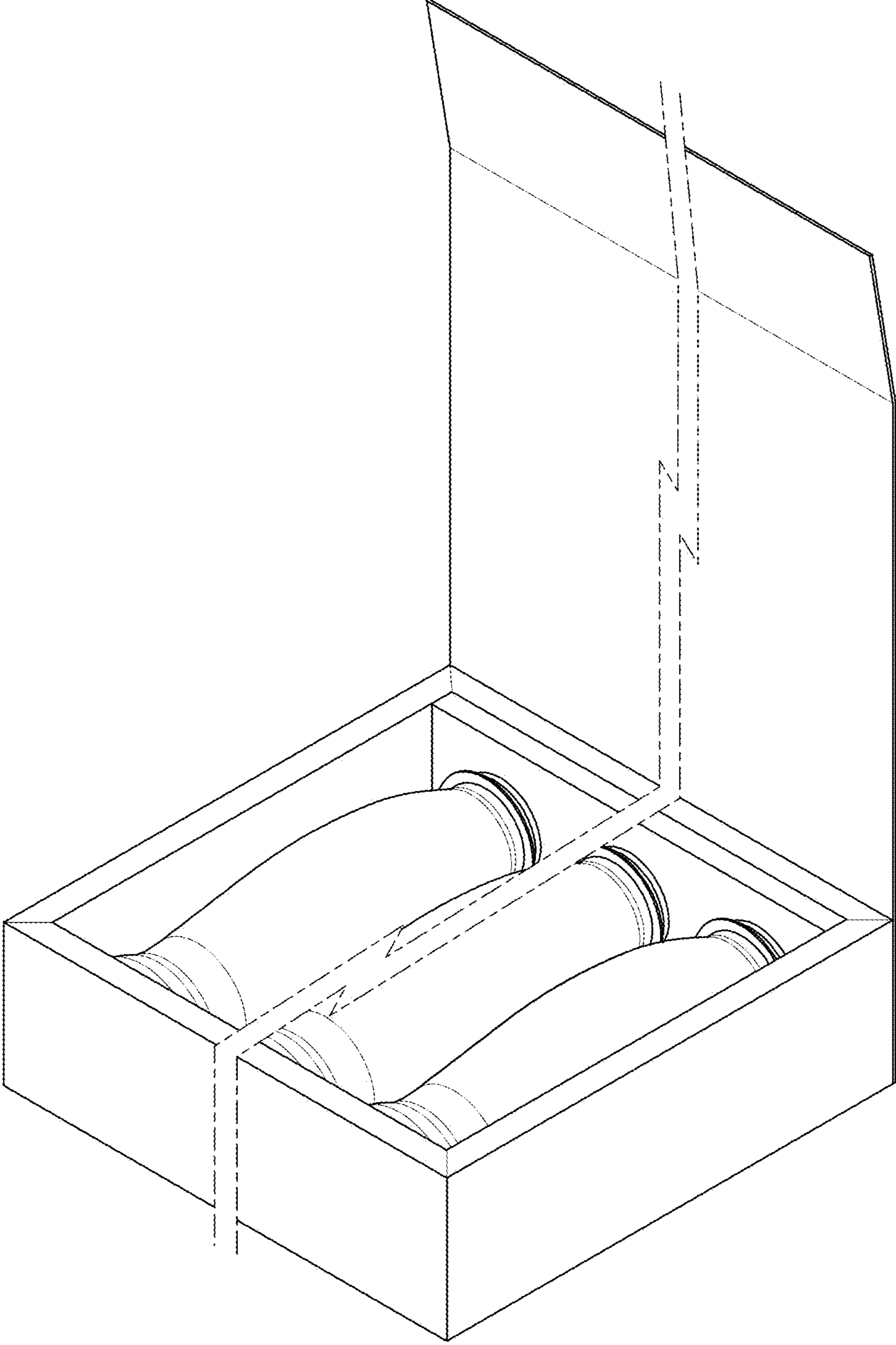


FIG. 22

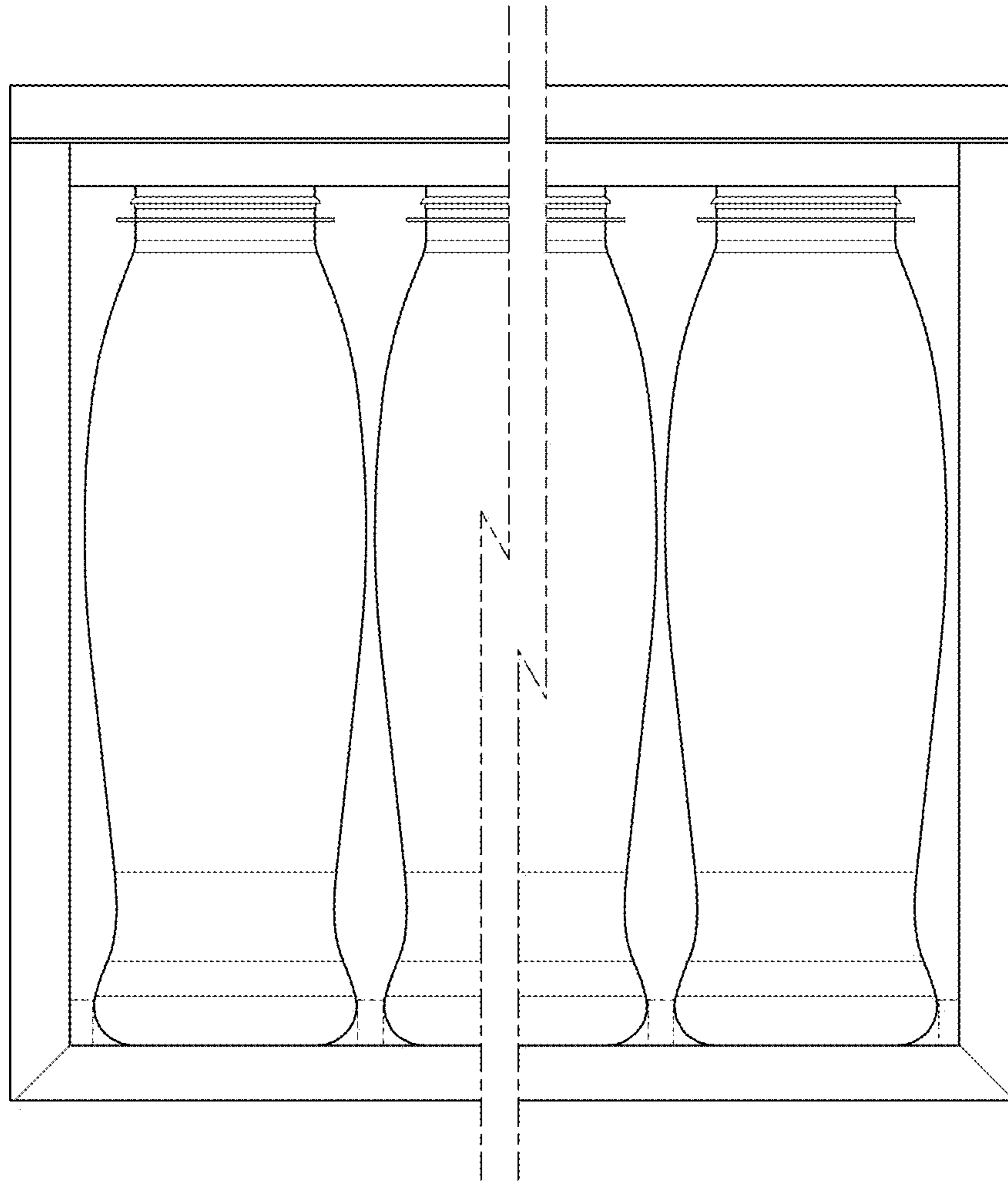


FIG. 23

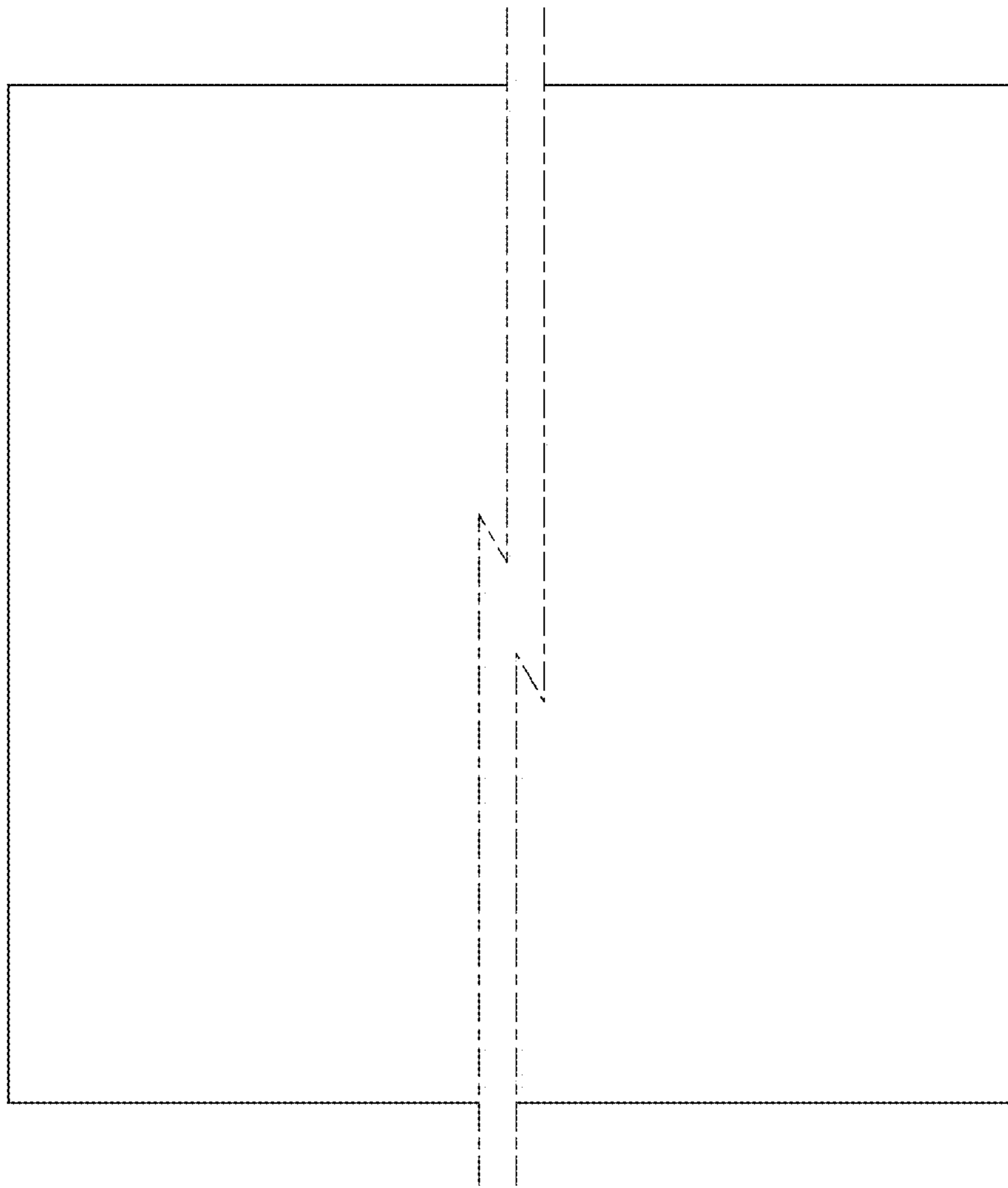


FIG. 24

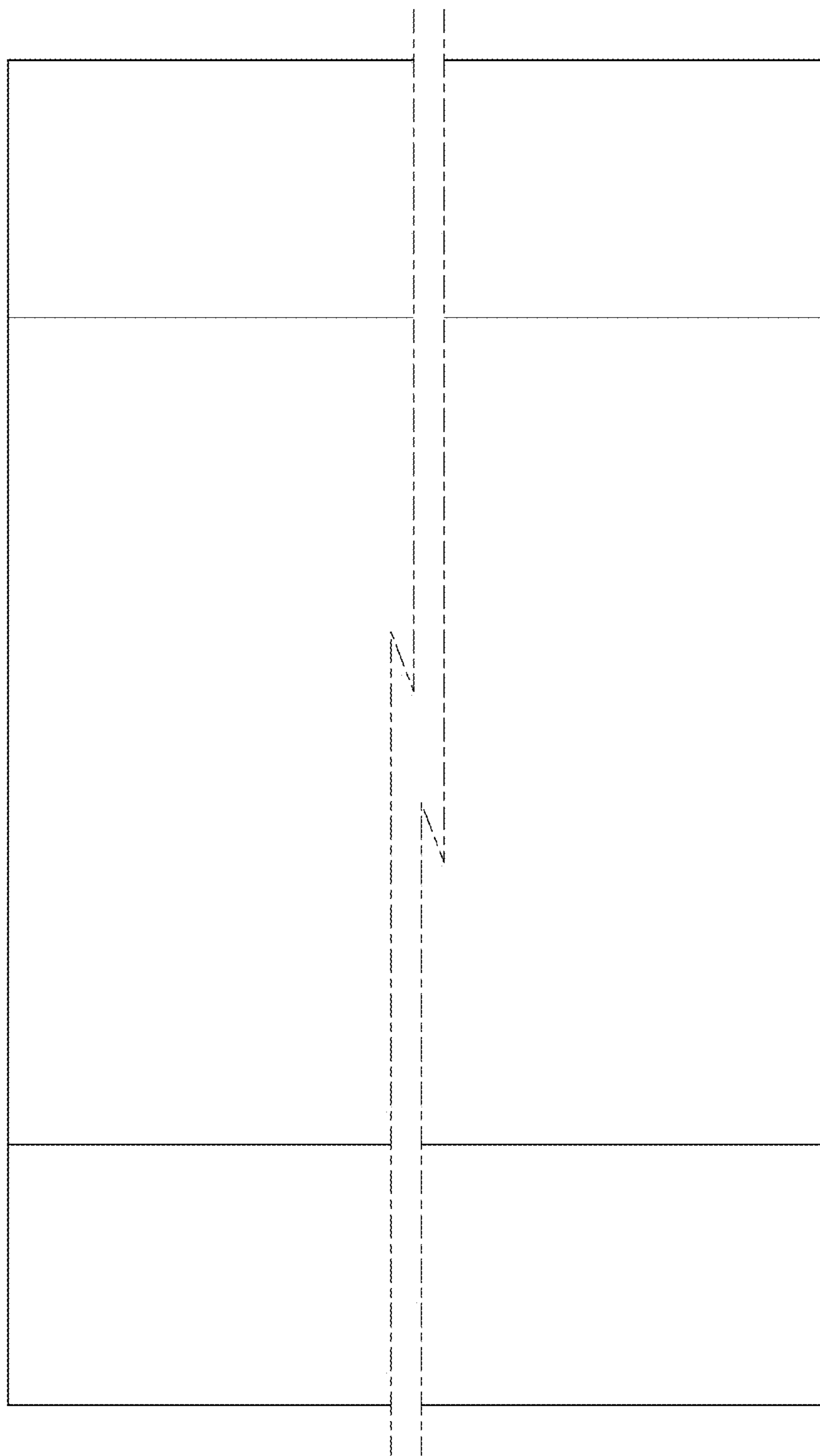


FIG. 25

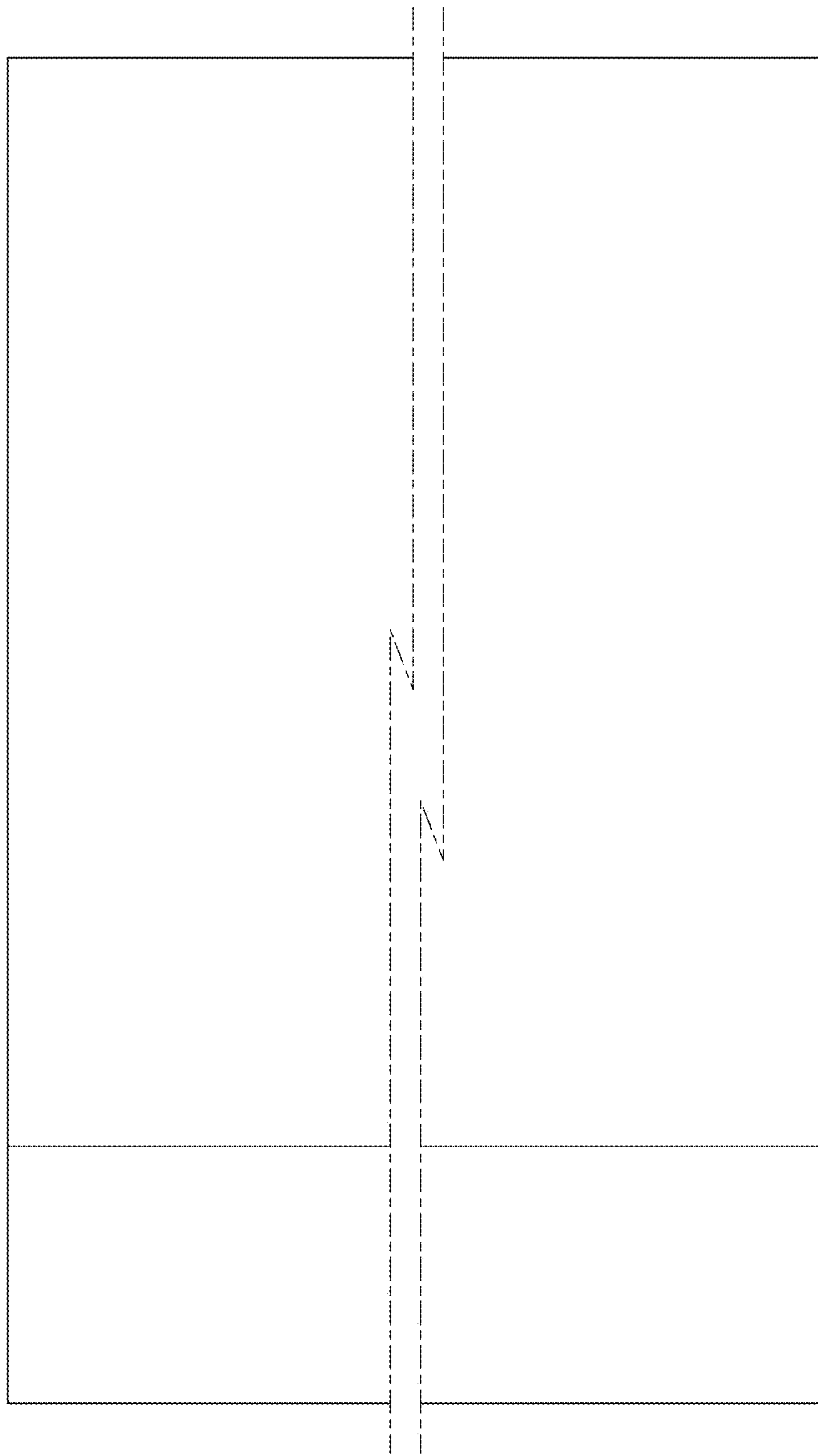


FIG. 26



FIG. 27



FIG. 28