

US00D839085S

(12) **United States Design Patent**
Green

(10) **Patent No.:** **US D839,085 S**

(45) **Date of Patent:** **** Jan. 29, 2019**

(54) **STRING GROOVE MASONRY CLAMP**

(71) Applicant: **Andy Green**, Bentonville, AR (US)

(72) Inventor: **Andy Green**, Bentonville, AR (US)

(**) Term: **15 Years**

(21) Appl. No.: **29/599,760**

(22) Filed: **Apr. 6, 2017**

Related U.S. Application Data

(63) Continuation-in-part of application No. 29/547,949, filed on Dec. 9, 2015, now Pat. No. Des. 816,470.

(51) **LOC (11) Cl.** **08-08**

(52) **U.S. Cl.**
USPC **D8/394**

(58) **Field of Classification Search**
USPC D8/71-74, 394-399, 59; 248/63, 72, 248/74.1, 689, 124.2; 81/487, 385, 386, 81/388-390; 269/3, 4, 6, 143, 165, 240, 269/243, 246-249, 254 R, 147-149; 29/256, 257, 276; 408/103, 104-109; D25/119

CPC B25B 1/00; B25B 5/00
See application file for complete search history.

(56) **References Cited**

U.S. PATENT DOCUMENTS

2,519,652	A	8/1950	Hargrave	24/253
2,667,678	A	2/1954	Hargrave et al.	24/253
3,456,262	A *	7/1969	Coon	A47G 25/485 24/501
4,943,039	A	7/1990	Jackson	269/45
4,979,703	A	12/1990	Fleming	248/65
D322,390	S	12/1991	Nimtz et al.	8/395
D350,892	S *	9/1994	Sorensen	D8/395
5,765,820	A	6/1998	Marusiak	269/6
D399,729	S *	10/1998	Chen	D8/395

6,073,897	A *	6/2000	Warren	F16M 11/105 248/278.1
D433,318	S *	11/2000	Chang	D8/395
D457,409	S *	5/2002	Noniewicz	D8/395
D481,921	S *	11/2003	Ben-Gigi	D8/72
6,644,636	B1	11/2003	Ryan	269/6
D485,481	S *	1/2004	Wolff	D8/72
D514,914	S *	2/2006	Degen	D8/72
D571,179	S	6/2008	Ahlgren	8/72
D594,726	S	6/2009	Arredondo	8/72
7,677,141	B1 *	3/2010	Crew	B25B 5/06 81/302
7,744,043	B2	6/2010	Otinger	248/75
8,177,205	B2	5/2012	Troller et al.	269/25
8,672,307	B1	3/2014	Pacheco et al.	269/6
D718,999	S	12/2014	Robinson et al.	8/72

(Continued)

Primary Examiner — David G Muller

Assistant Examiner — Nathan M Johnston

(74) *Attorney, Agent, or Firm* — Keisling & Pieper PLC; David B. Pieper

(57) **CLAIM**

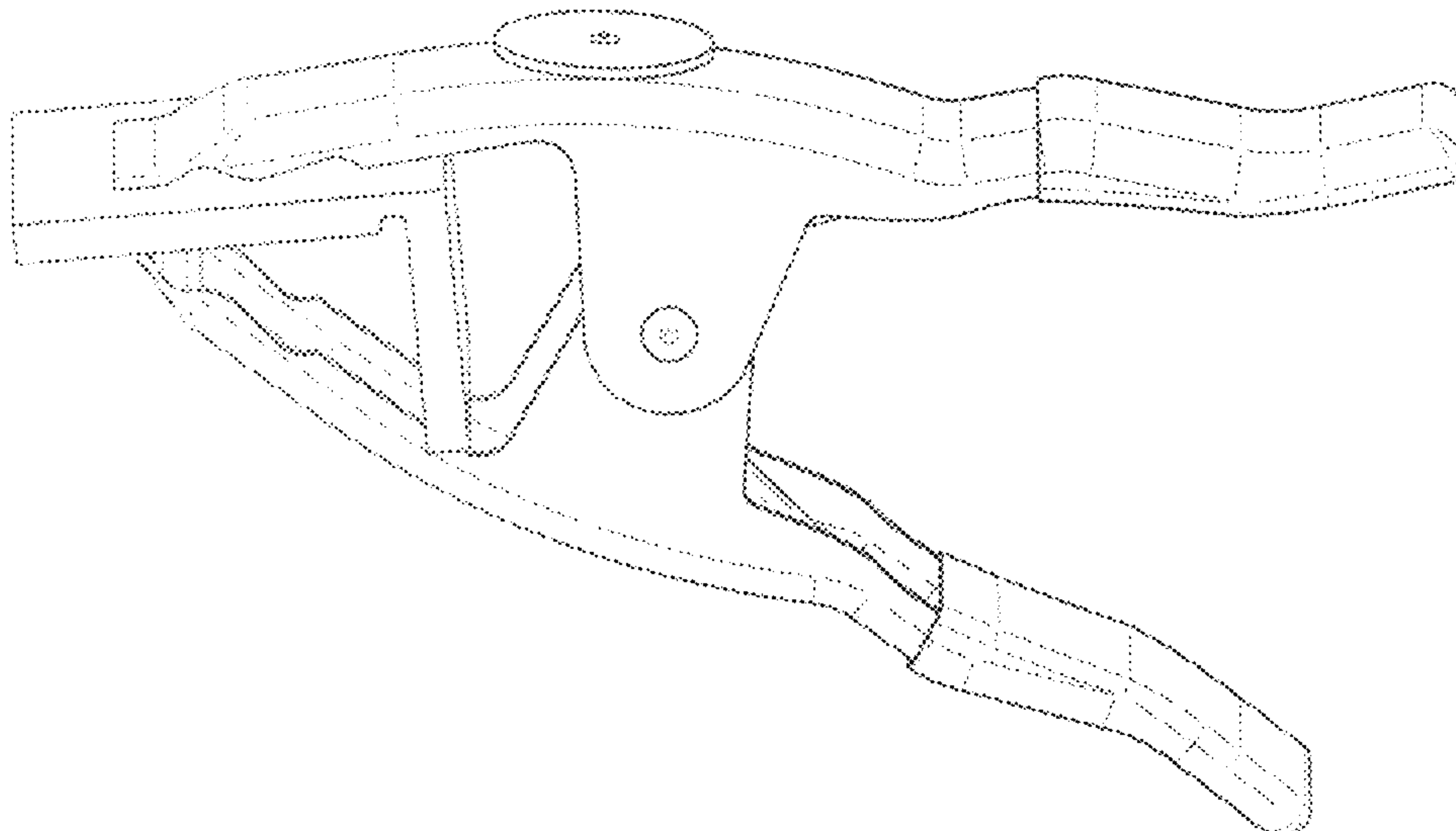
The ornamental design for a string groove masonry clamp, as shown and described.

DESCRIPTION

FIG. 1 is a top perspective view of a string groove masonry clamp showing my new design; FIG. 2 is a top plan view thereof; FIG. 3 is a left side elevation view thereof; FIG. 4 is a front elevation view thereof; and, FIG. 5 is a right side elevation view thereof; FIG. 6 is a rear elevation view thereof; FIG. 7 is a bottom plan view thereof; FIG. 8 is a bottom perspective view thereof; and, FIG. 9 is an environmental view thereof.

The broken lines showing the masonry block and string are for the purpose of illustrating environmental structure and form no part of the claimed design.

1 Claim, 9 Drawing Sheets



(56)

References Cited

U.S. PATENT DOCUMENTS

D719,807 S	12/2014	Robinson et al.	8/72
D725,462 S	3/2015	Zilisch	8/398
9,833,881 B1 *	12/2017	Schaefer	B25B 5/145
D821,086 S *	6/2018	Iwasaki	D3/26
D823,103 S *	7/2018	Glasscock	D8/395

* cited by examiner

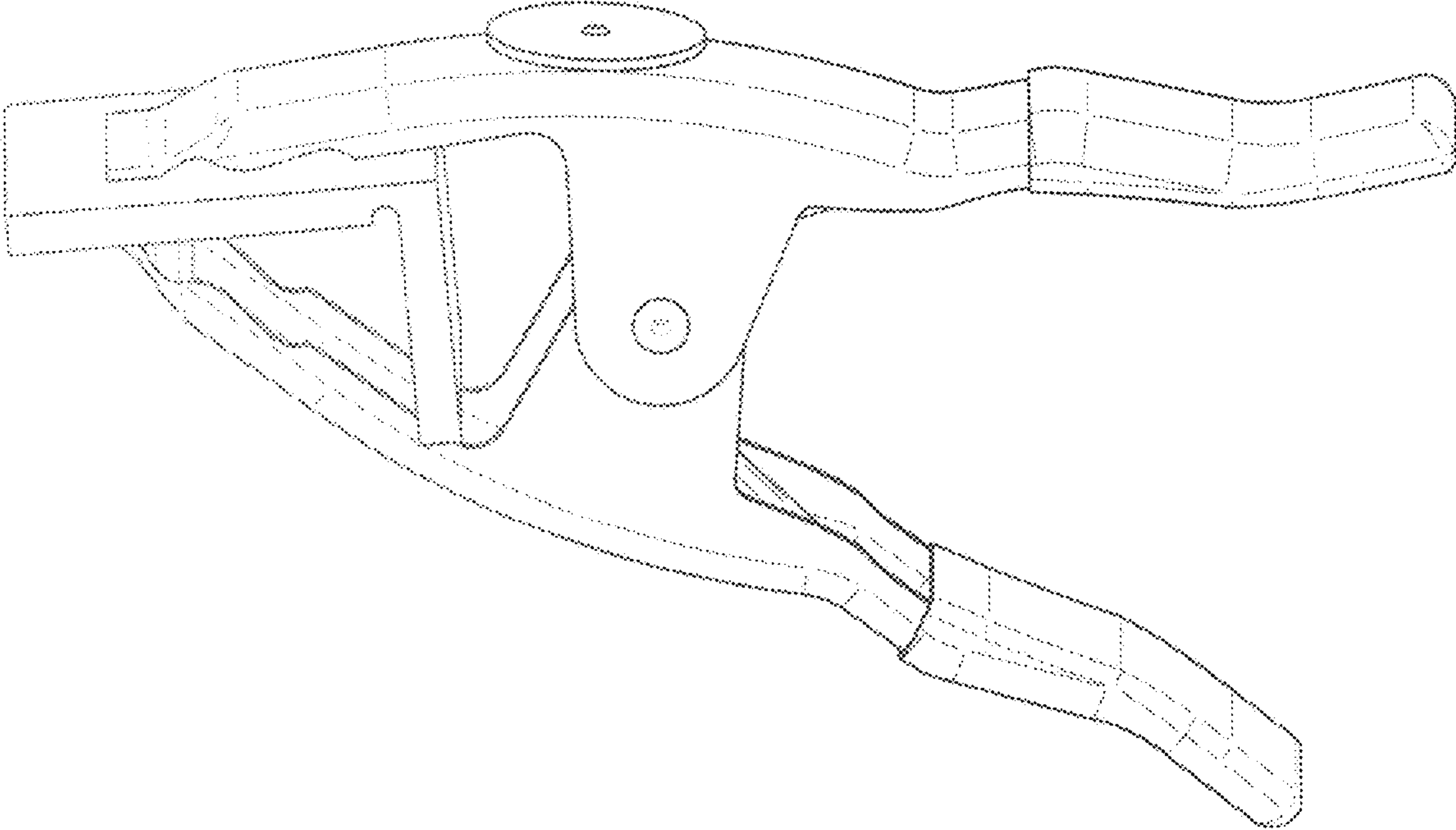


FIG. 1

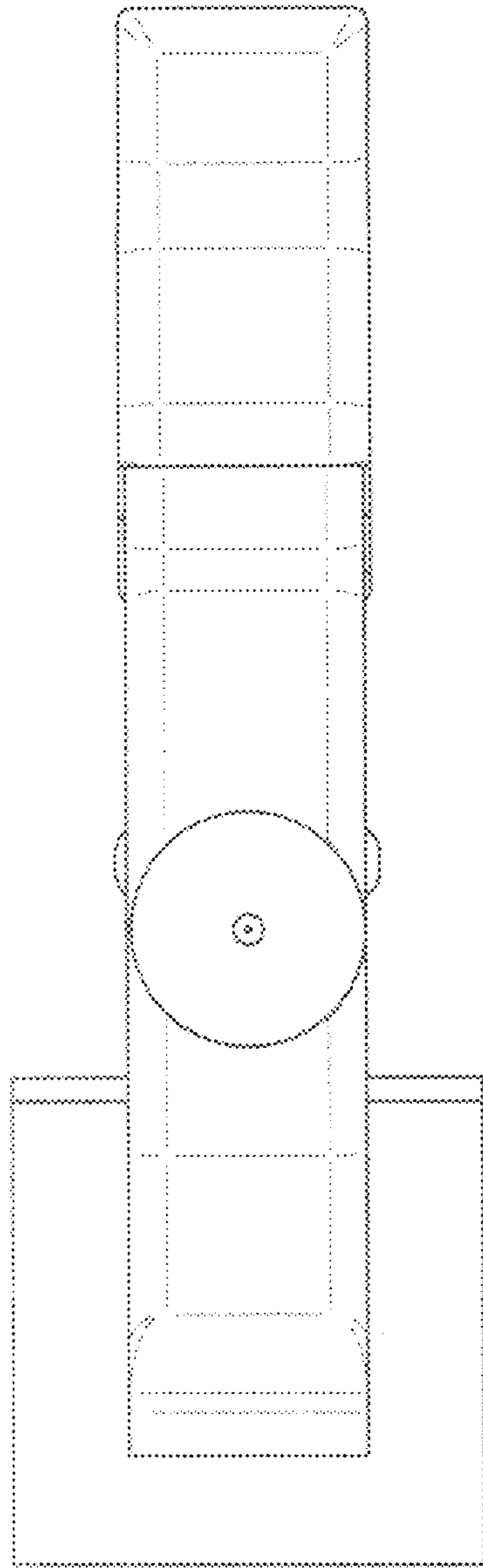


FIG. 2

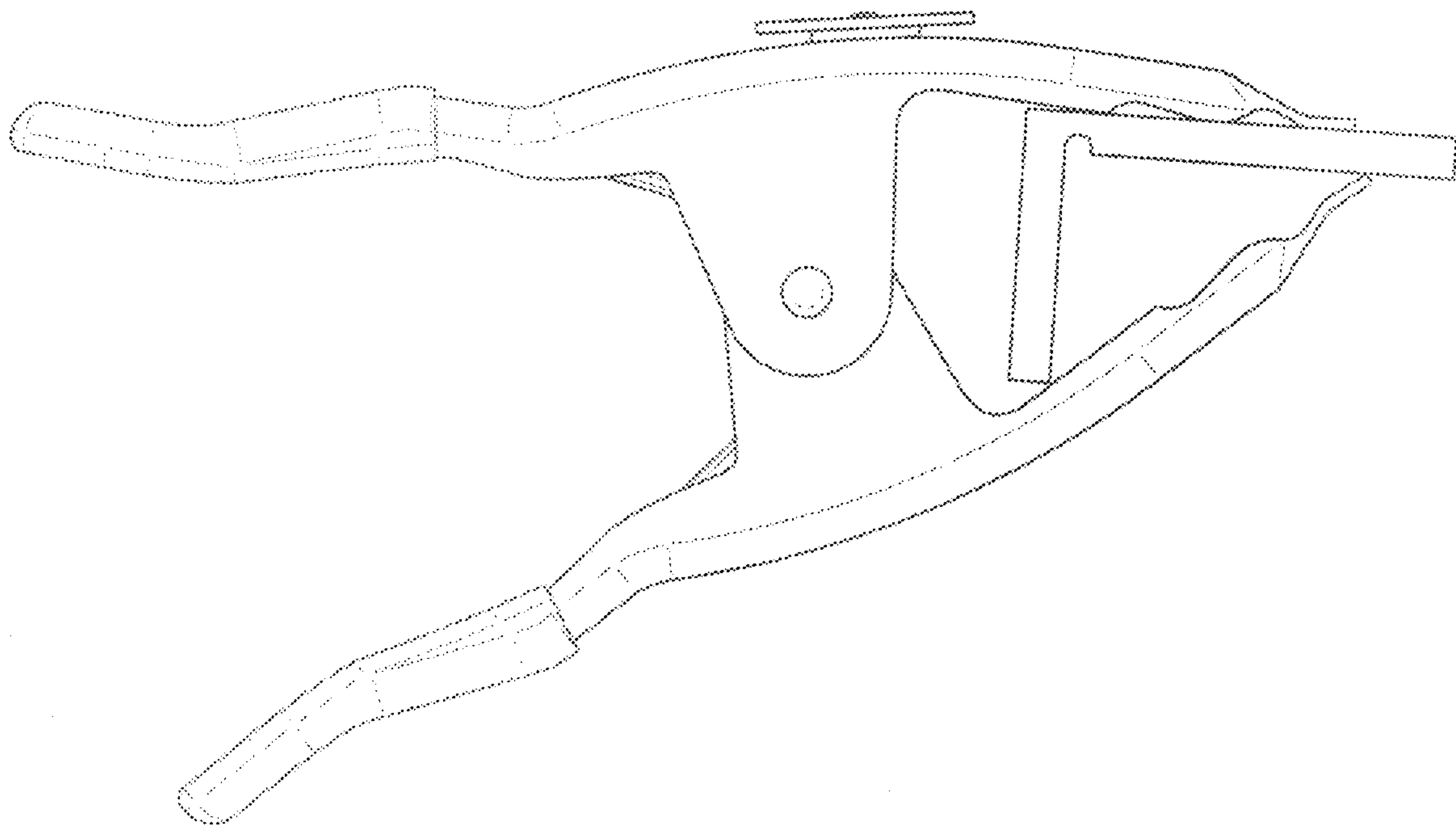


FIG. 3

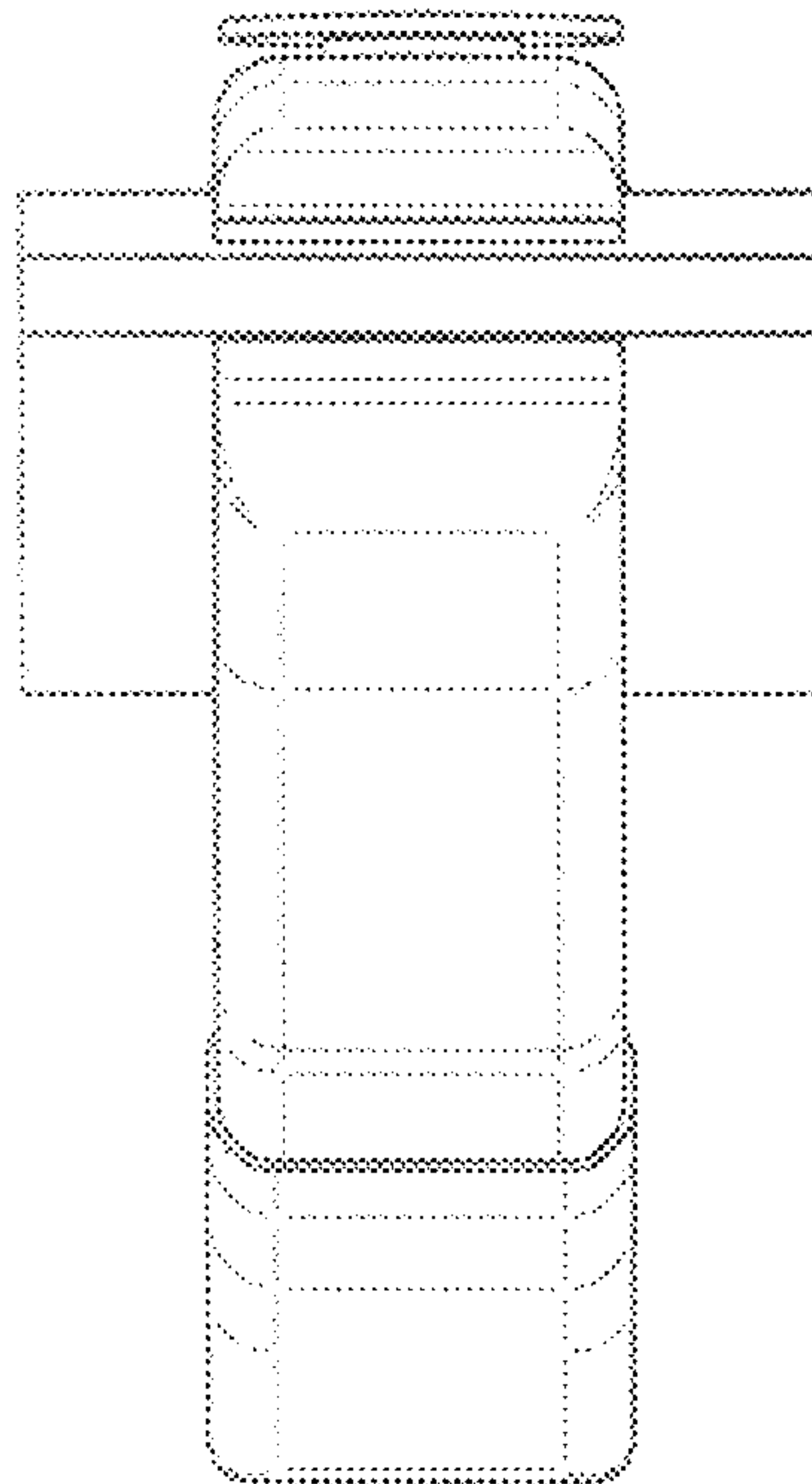


FIG. 4

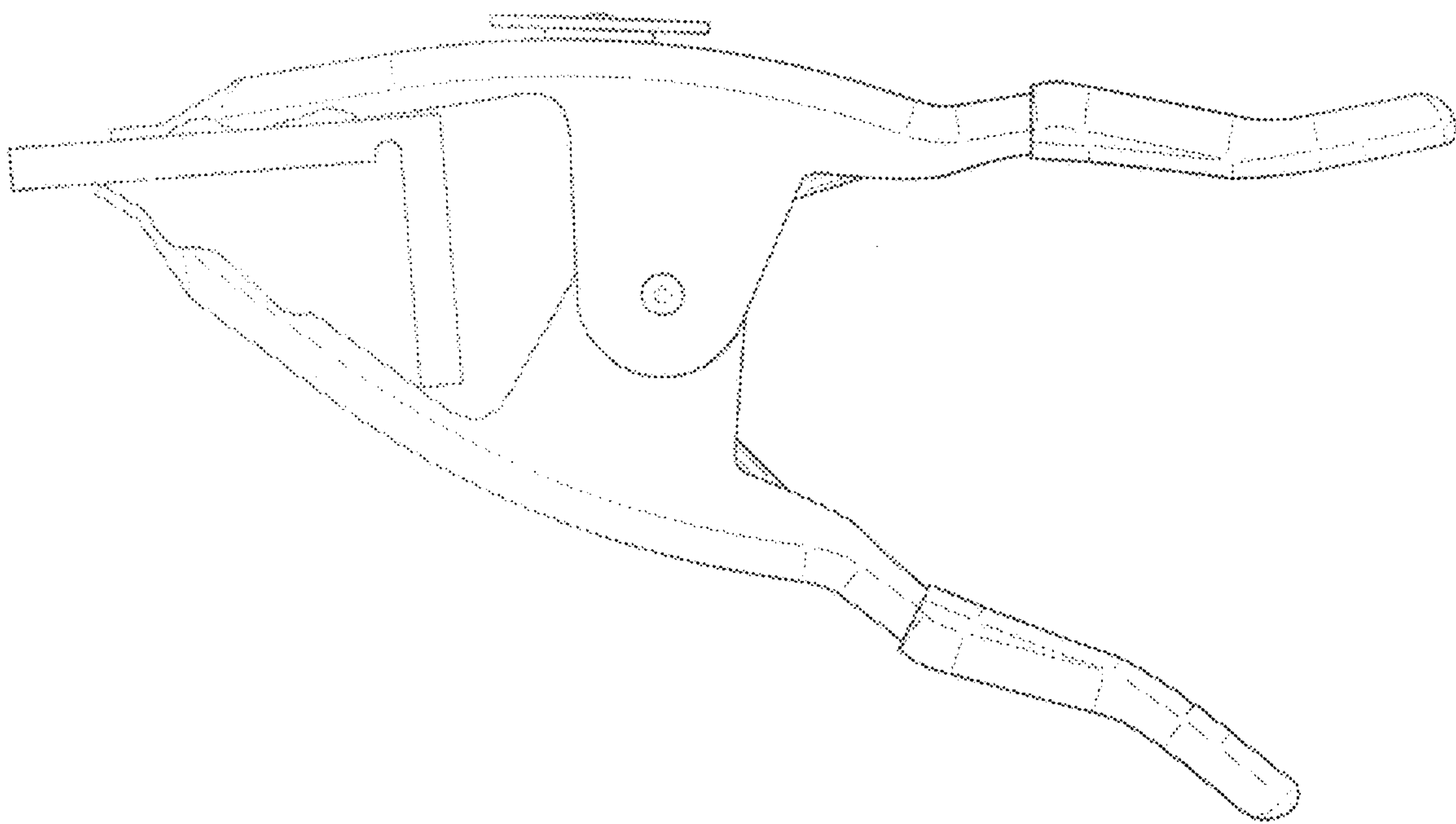


FIG. 5

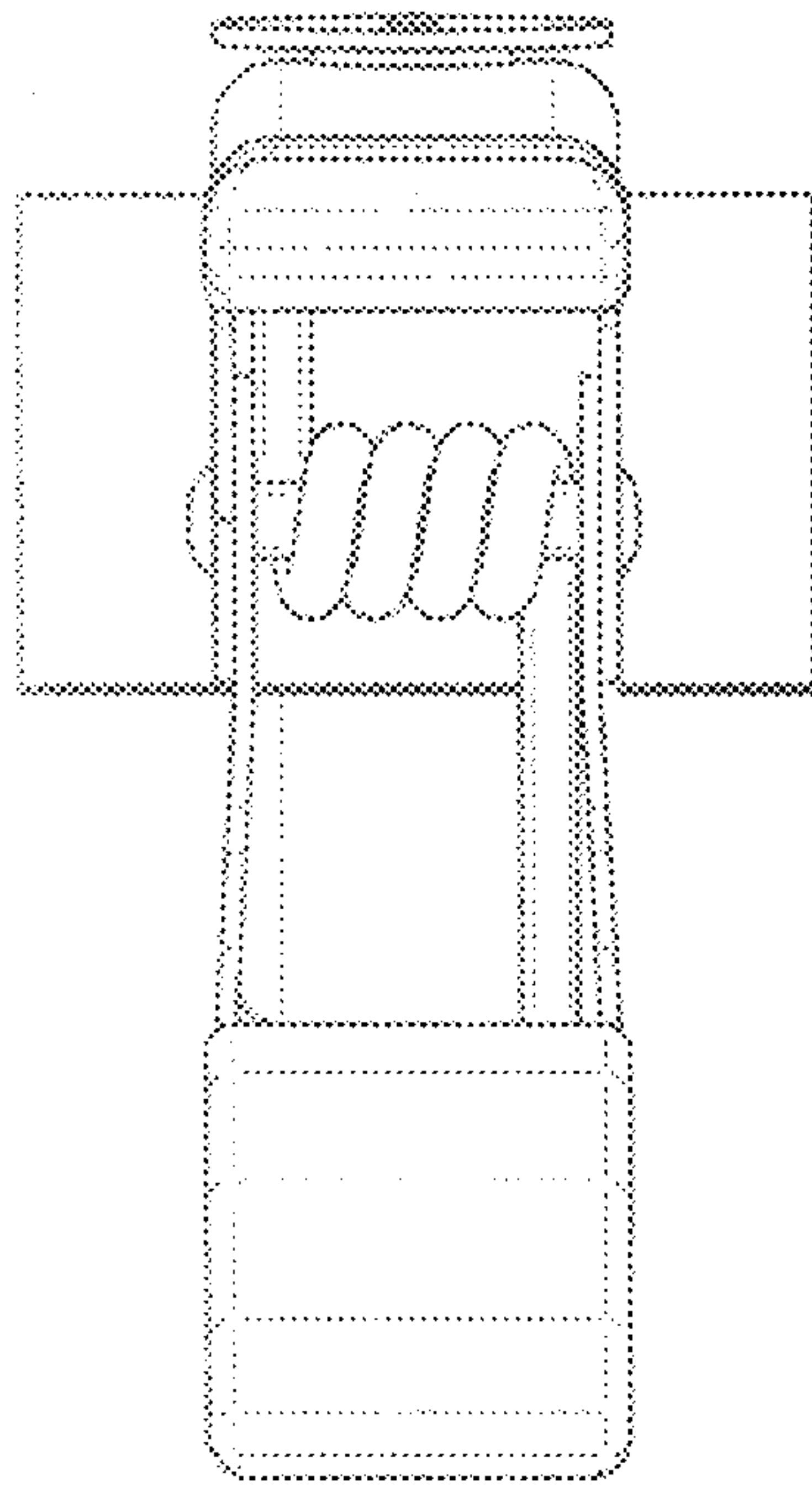


FIG. 6

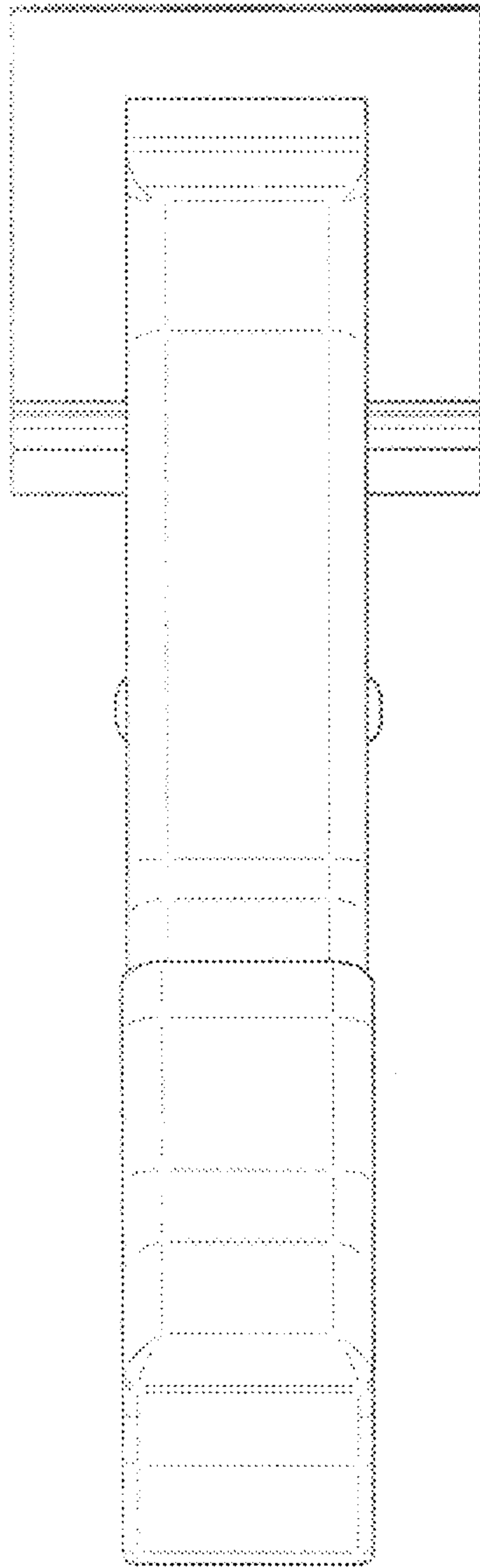


FIG. 7

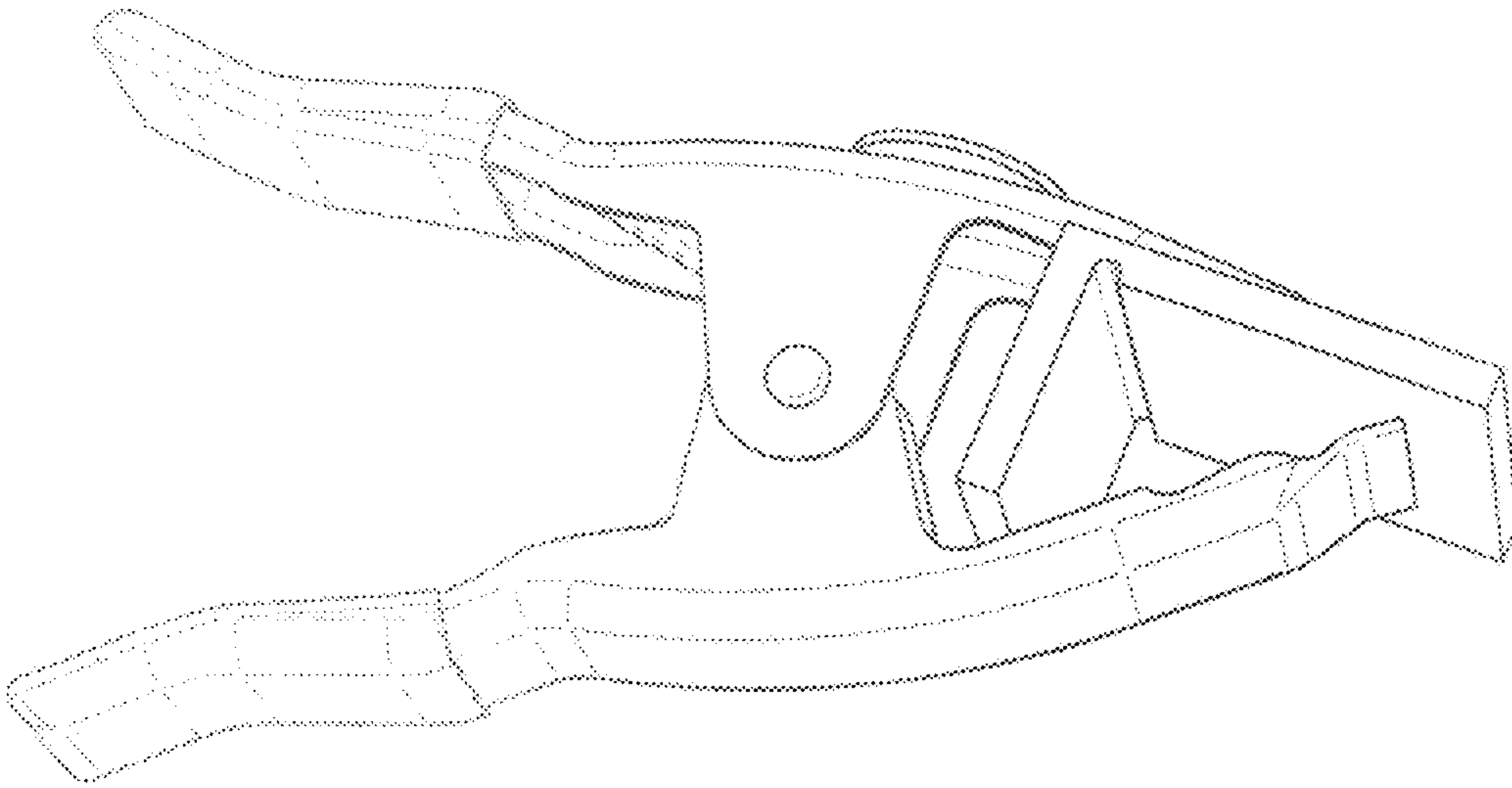


FIG. 8

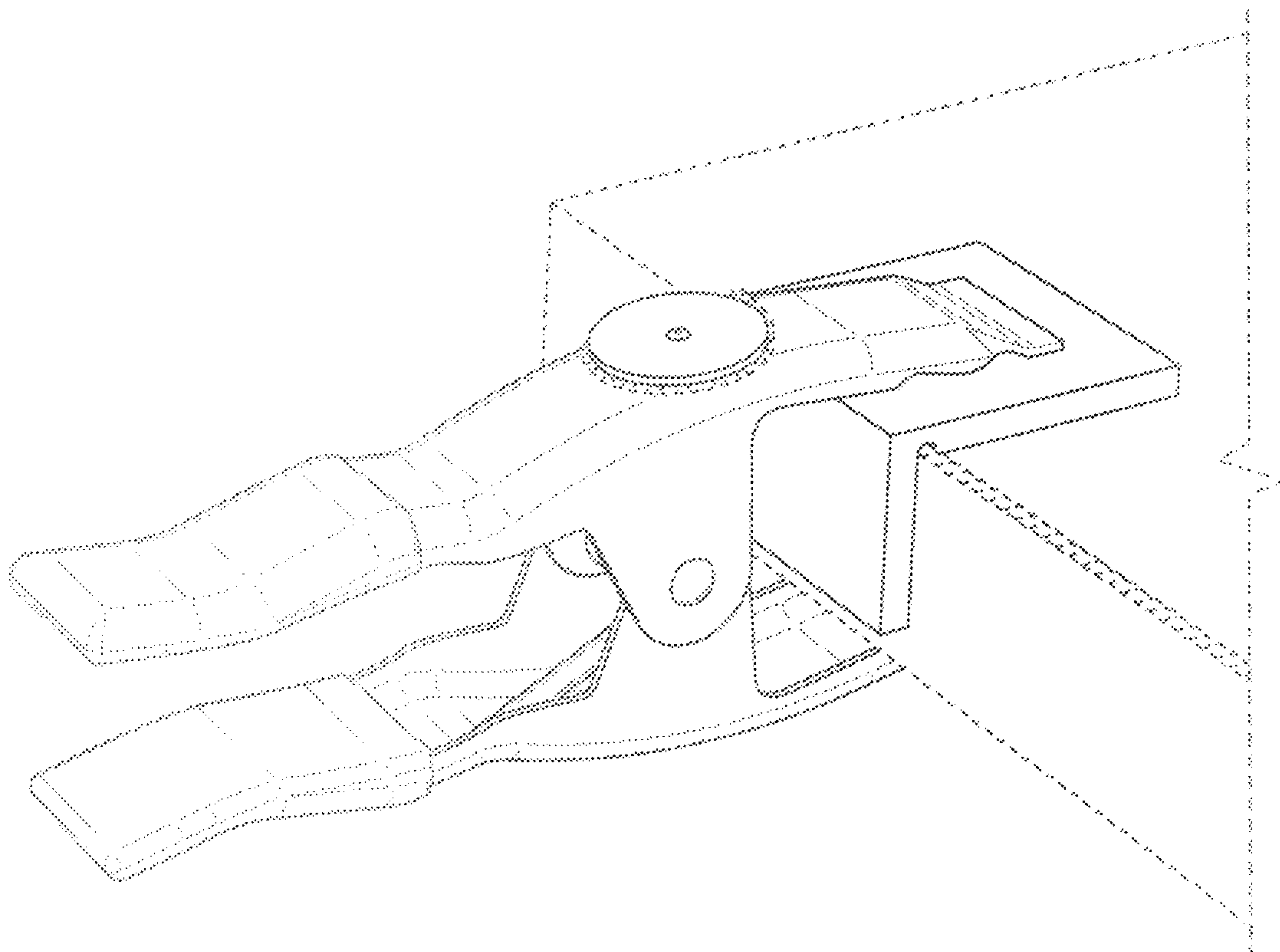


FIG. 9