



US00D839084S

(12) **United States Design Patent**  
**Mikoska et al.**

(10) **Patent No.:** **US D839,084 S**

(45) **Date of Patent:** **\*\* \*Jan. 29, 2019**

(54) **APPARATUS FOR ORGANIZING CORD**

(71) Applicants: **Radek Mikoska**, Hoffman Estates, IL  
(US); **Jan Stastny**, Des Plaines, IL  
(US)

(72) Inventors: **Radek Mikoska**, Hoffman Estates, IL  
(US); **Jan Stastny**, Des Plaines, IL  
(US)

(\*) Notice: This patent is subject to a terminal disclaimer.

(\*\*) Term: **15 Years**

(21) Appl. No.: **29/550,793**

(22) Filed: **Jan. 7, 2016**

(51) **LOC (11) Cl.** ..... **08-05**

(52) **U.S. Cl.**  
USPC ..... **D8/356**

(58) **Field of Classification Search**  
USPC ..... D24/128, 127, 108, 107; 604/180;  
D8/356, 354, 349; D13/155; D25/33;  
248/74.3

CPC .. A61M 29/00; A61M 25/02; A61M 25/0133;  
A61M 2025/024; A61M 2025/0266;  
A61M 5/00; A61M 2039/087; F16G 1/00;  
F16G 11/00; H02G 3/00; H02G 3/03;  
H02G 3/04; H02G 3/0437; H02G 3/0608;  
A43C 3/00; B63B 21/04; F16L 3/1058

See application file for complete search history.

(56) **References Cited**

**U.S. PATENT DOCUMENTS**

- 1,634,436 A \* 7/1927 Polson ..... B65H 75/06  
242/405.2
- 1,655,065 A \* 1/1928 Le Baron ..... B65H 75/06  
242/405.2
- D136,783 S \* 12/1943 Le Veck ..... D32/60

- D180,332 S \* 5/1957 Jackson ..... D8/358
- 3,626,495 A \* 12/1971 Bastian, Jr. .... B65H 75/06  
242/405.2
- 3,832,746 A \* 9/1974 Korsgaard ..... B65H 75/06  
242/387
- 3,901,458 A \* 8/1975 Kuncz, Jr. .... A01K 89/08  
242/402
- D243,654 S 3/1977 Burgoyne
- 4,123,012 A 10/1978 Hough
- 4,991,788 A \* 2/1991 Pattison ..... B65H 54/58  
242/571
- 5,139,208 A 8/1992 Schooley
- D337,718 S \* 7/1993 Donaldson ..... D8/358
- 5,458,241 A 10/1995 Brown et al.
- D389,731 S \* 1/1998 Forbis ..... D8/395
- D395,999 S 7/1998 Schmidt
- 6,142,405 A 11/2000 Black et al.
- 6,286,777 B1 9/2001 Black et al.

(Continued)

*Primary Examiner* — Cynthia Underwood

(74) *Attorney, Agent, or Firm* — Lempia Summerfield  
Katz LLC

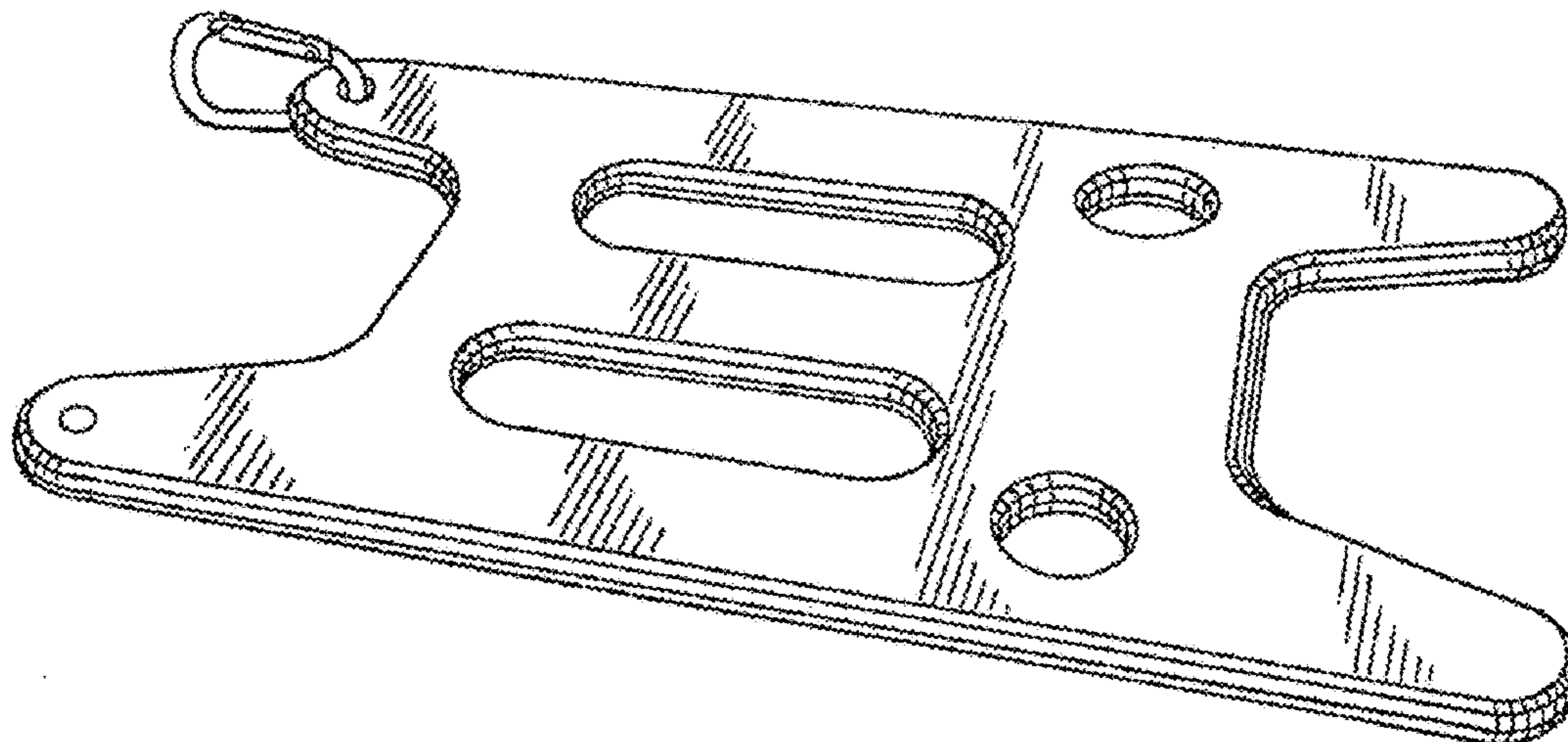
(57) **CLAIM**

The ornamental design for the apparatus for organizing cord,  
as shown and described.

**DESCRIPTION**

FIG. 1 is a perspective view of the apparatus for organizing cord;  
 FIG. 2 is a top view of the apparatus for organizing cord;  
 FIG. 3 is a front view of the apparatus for organizing cord;  
 FIG. 4 is a left-side view of the apparatus for organizing cord;  
 FIG. 5 is a right-side view of the apparatus for organizing cord;  
 FIG. 6 is a rear view of the apparatus for organizing cord;  
 and,  
 FIG. 7 is a bottom view of the apparatus for organizing cord.

**1 Claim, 2 Drawing Sheets**



(56)

**References Cited**

U.S. PATENT DOCUMENTS

6,302,347 B1 \* 10/2001 Amirault ..... B65H 75/06  
242/388.1  
D459,199 S 6/2002 Soroka  
D461,115 S 8/2002 Vassioukevitch  
6,884,110 B1 \* 4/2005 Bort ..... H01R 13/72  
206/419  
6,962,306 B2 11/2005 West  
D517,902 S 3/2006 Peterson  
D576,867 S 9/2008 Kretz  
D603,376 S \* 11/2009 Blasko ..... D14/223  
D635,446 S 4/2011 Baca et al.  
D670,155 S \* 11/2012 Krohmer ..... D8/356  
D692,288 S \* 10/2013 Locklear ..... D8/105  
D710,671 S 8/2014 Gonzalez et al.  
2001/0022331 A1 9/2001 Smith  
2001/0045485 A1 11/2001 Bregenzer  
2007/0039912 A1 2/2007 Hinkens  
2011/0101146 A1 5/2011 Bordignon  
2013/0333119 A1 \* 12/2013 Maynard ..... B25F 1/00  
7/163

\* cited by examiner

FIG. 1

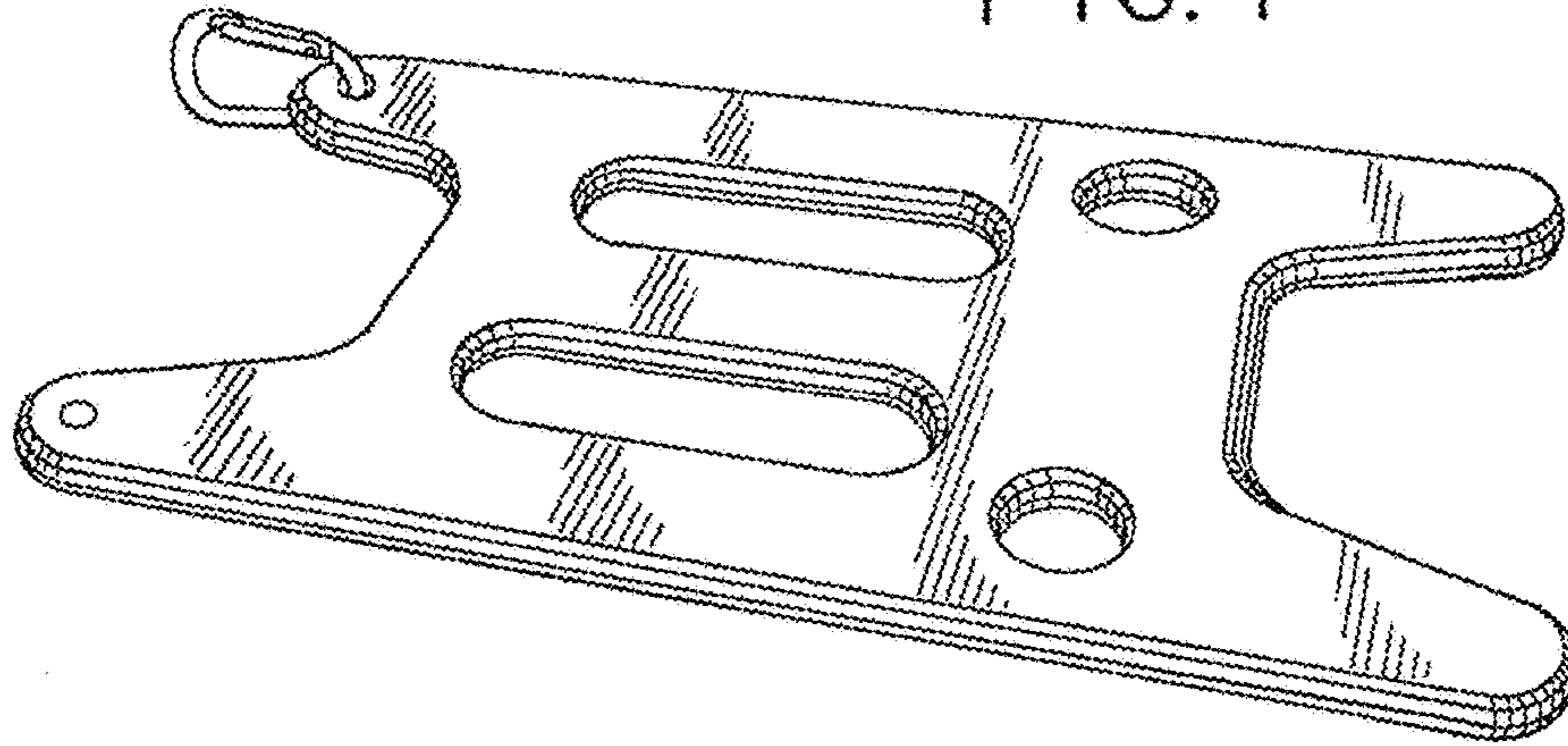


FIG. 2

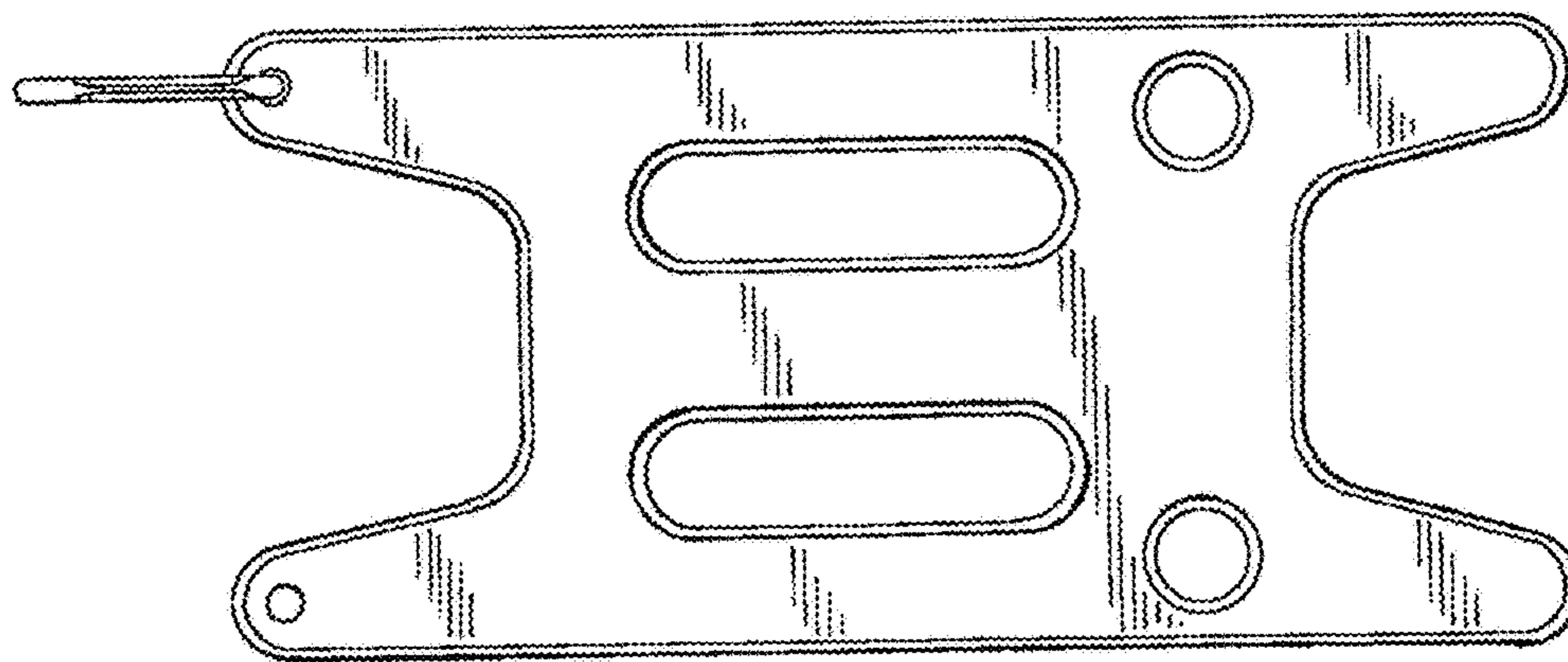


FIG. 3

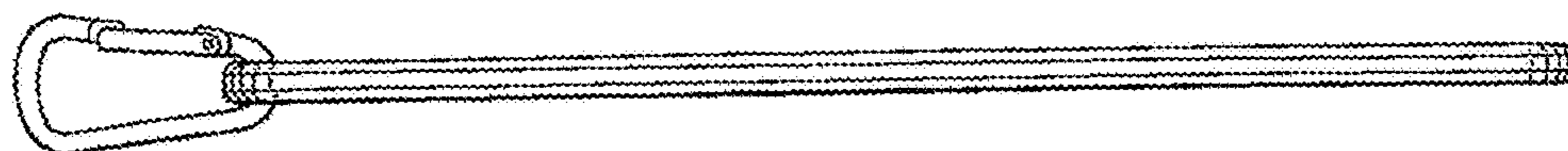


FIG. 4

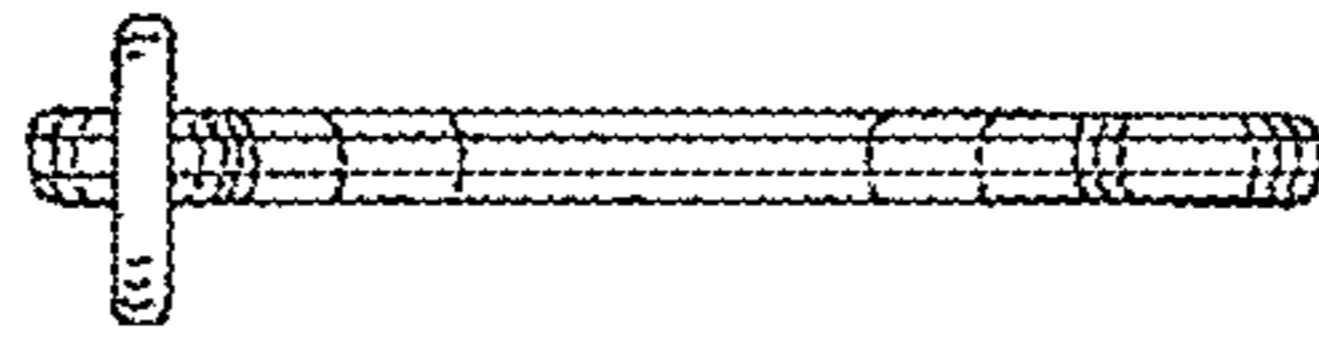


FIG. 5

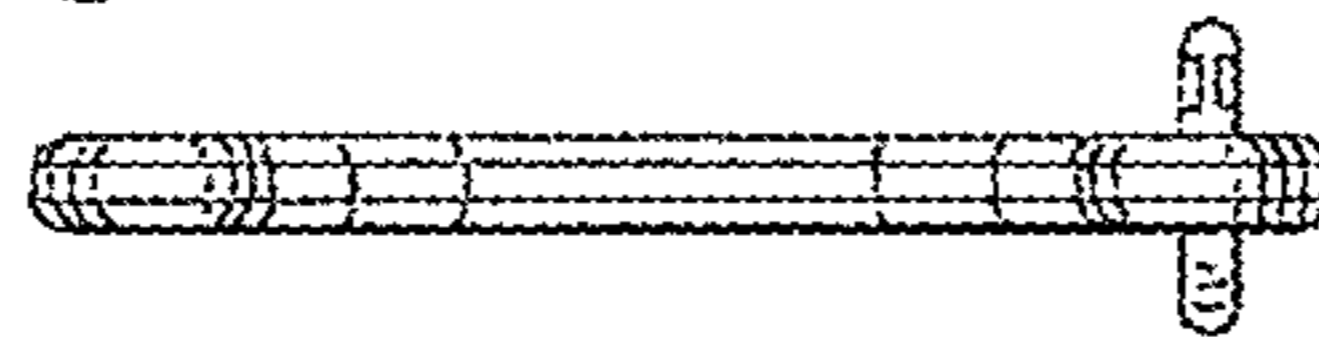


FIG. 6



FIG. 7

