



US00D839081S

(12) **United States Design Patent** (10) **Patent No.:** **US D839,081 S**
Iellimo (45) **Date of Patent:** **** Jan. 29, 2019**

- (54) **STRUCTURAL MEMBER**
- (71) Applicant: **Frazier Industrial Company**, Long Valley, NJ (US)
- (72) Inventor: **Domenick Iellimo**, Forked River, NJ (US)
- (73) Assignee: **Frazier Industrial Company**, Long Valley, NJ (US)
- (**) Term: **15 Years**
- (21) Appl. No.: **29/593,179**
- (22) Filed: **Feb. 7, 2017**
- (51) **LOC (11) Cl.** **08-05**
- (52) **U.S. Cl.**
USPC **D8/354**
- (58) **Field of Classification Search**
USPC D8/60, 61, 77, 82, 342, 349, 354, 355,
D8/356, 367, 382, 396, 499; D25/113,
D25/114, 119, 120–125, 131, 136, 199
CPC E04C 3/07; E04C 2003/046; E04B 1/19;
E04B 2001/1963
See application file for complete search history.

- (56) **References Cited**
U.S. PATENT DOCUMENTS
- 1,850,118 A * 3/1932 Meyers E04B 1/24
52/223.6
- 1,975,228 A * 10/1934 Grumman E04C 3/09
29/897.31
- 3,094,197 A * 6/1963 Attwood A47B 96/1408
29/521
- 3,905,483 A * 9/1975 Patrick A47F 5/10
211/190
- 4,720,957 A * 1/1988 Madray E04B 1/24
52/846
- D374,579 S * 10/1996 Nilsson D6/709

- D563,771 S * 3/2008 Prechtel D8/354
- D599,193 S * 9/2009 Meyer D8/354
- D637,477 S * 5/2011 Wall D8/382
- D682,069 S * 5/2013 Lehane D8/349
- D709,629 S * 7/2014 Rice D25/125
- D771,276 S * 11/2016 Walker D25/119
- D777,024 S * 1/2017 Lee D8/396
- D802,167 S * 11/2017 Gyetvai D25/119
- D807,728 S * 1/2018 Johnson D8/354
- 2018/0119409 A1 * 5/2018 Bergeron E04B 1/2403
- 2018/0127206 A1 * 5/2018 Iellimo A47B 96/06

* cited by examiner

Primary Examiner — Jennifer Rivard
Assistant Examiner — Alison M Ofstun
(74) *Attorney, Agent, or Firm* — Dilworth & Barrese, LLP

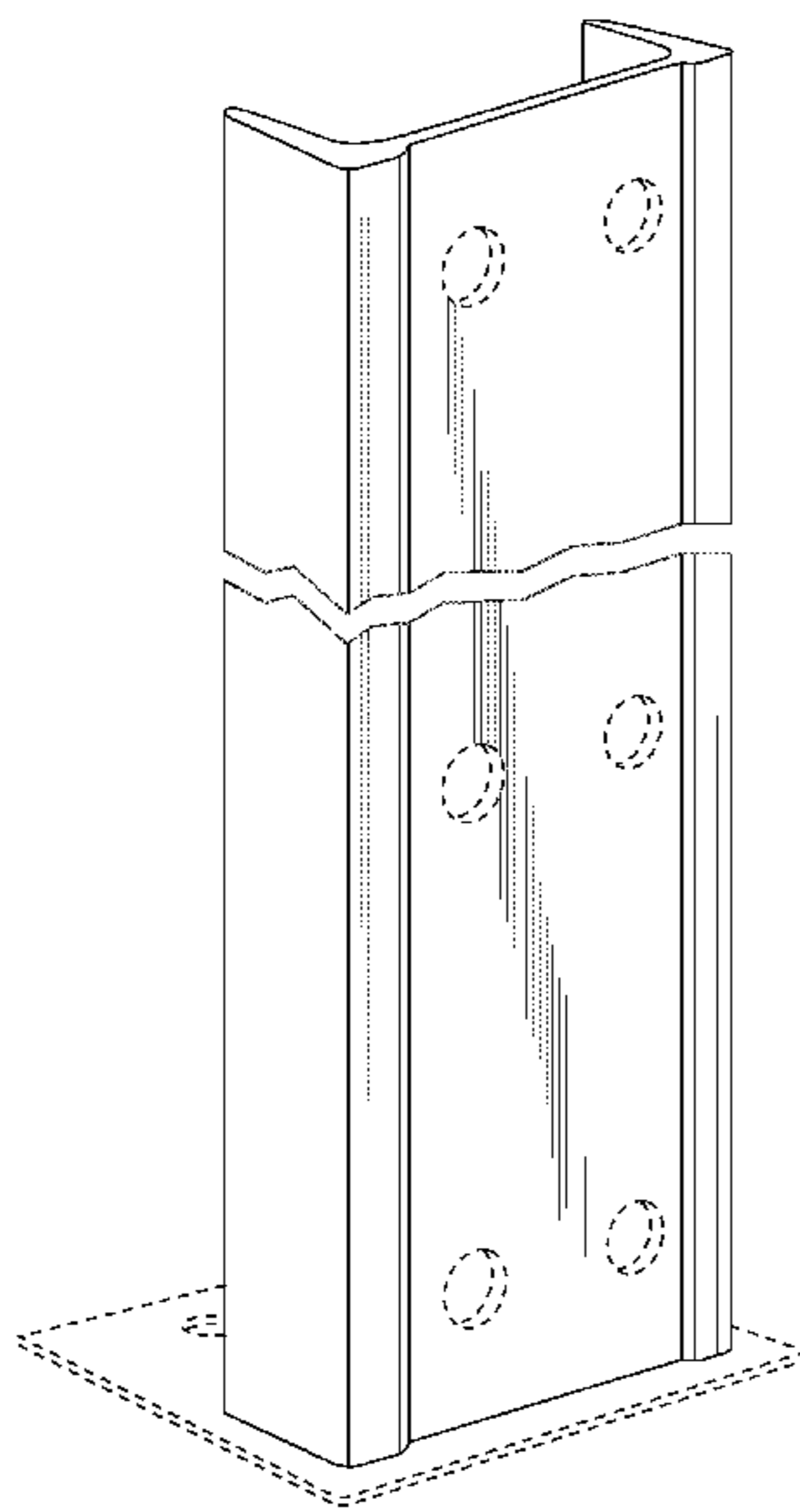
(57) **CLAIM**

The ornamental design for a structural member, as shown and described.

DESCRIPTION

FIG. 1 is a front perspective view of a first embodiment of a structural member showing my new design;
FIG. 2 is a front view thereof showing my new design;
FIG. 3 is a rear view thereof showing my new design;
FIG. 4 is a left side view thereof showing my new design;
FIG. 5 is a right side view thereof showing my new design;
FIG. 6 is a top view thereof showing my new design; and,
FIG. 7 is a front perspective view of a second embodiment of a structural member, shown in an environment of use.
The broken lines are shown for the purpose of illustrating environmental subject matter and portions of the article, none of which form part of the claim.
The article is shown with a symbolic break in its length. The appearance of any portion of the article between the break lines forms no part of the claimed design.

1 Claim, 7 Drawing Sheets



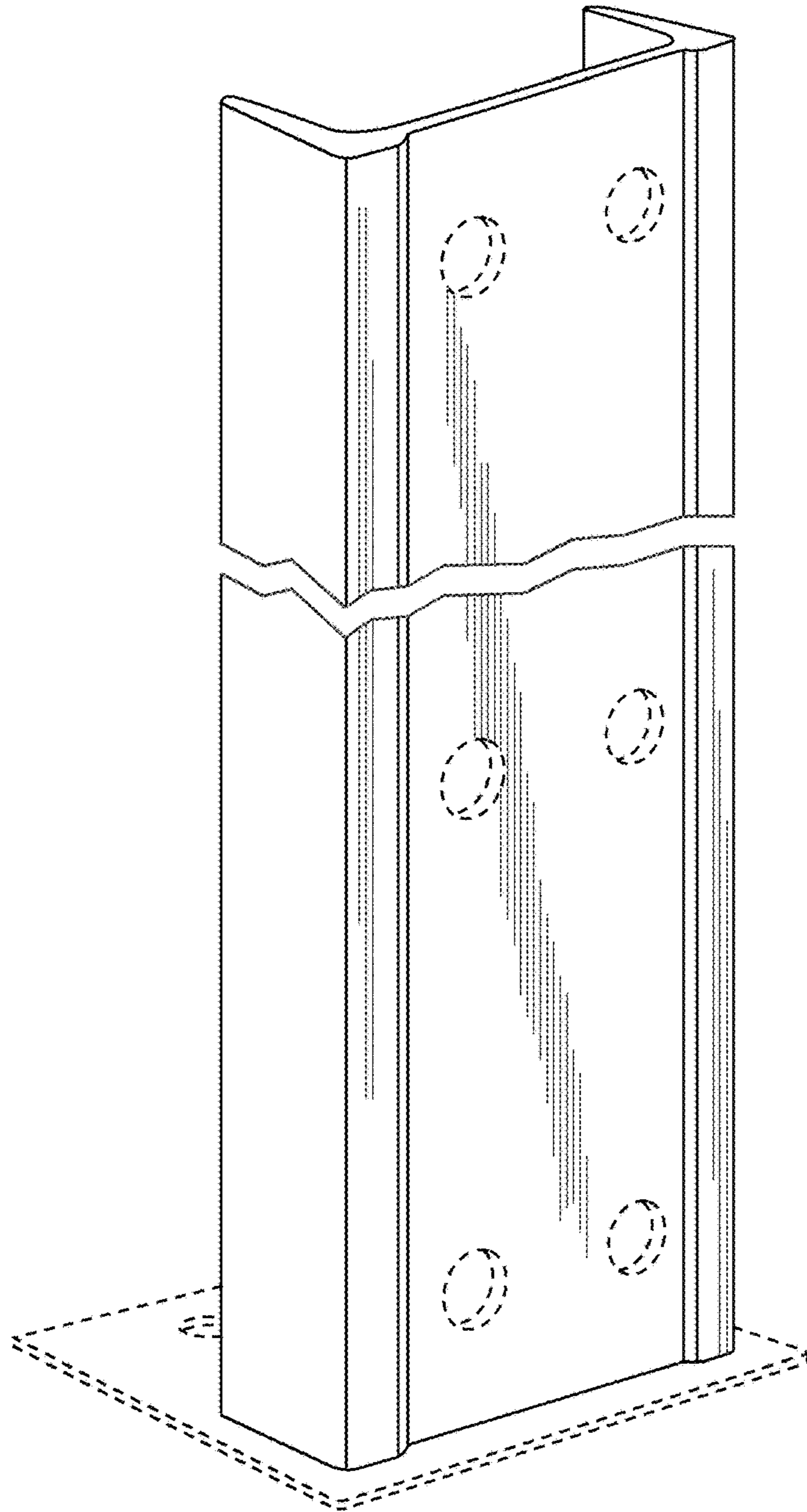


FIG. 1

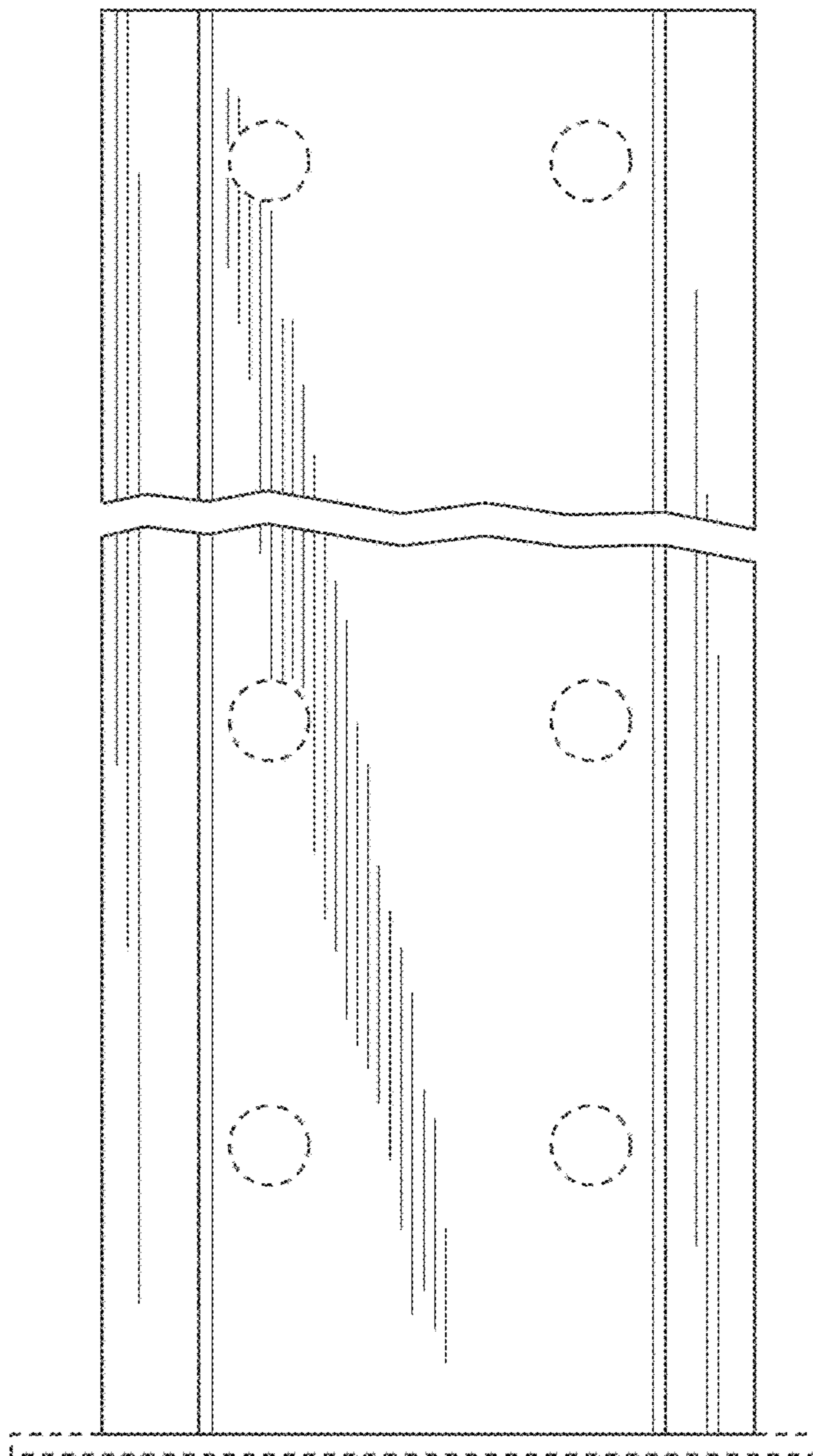


FIG. 2

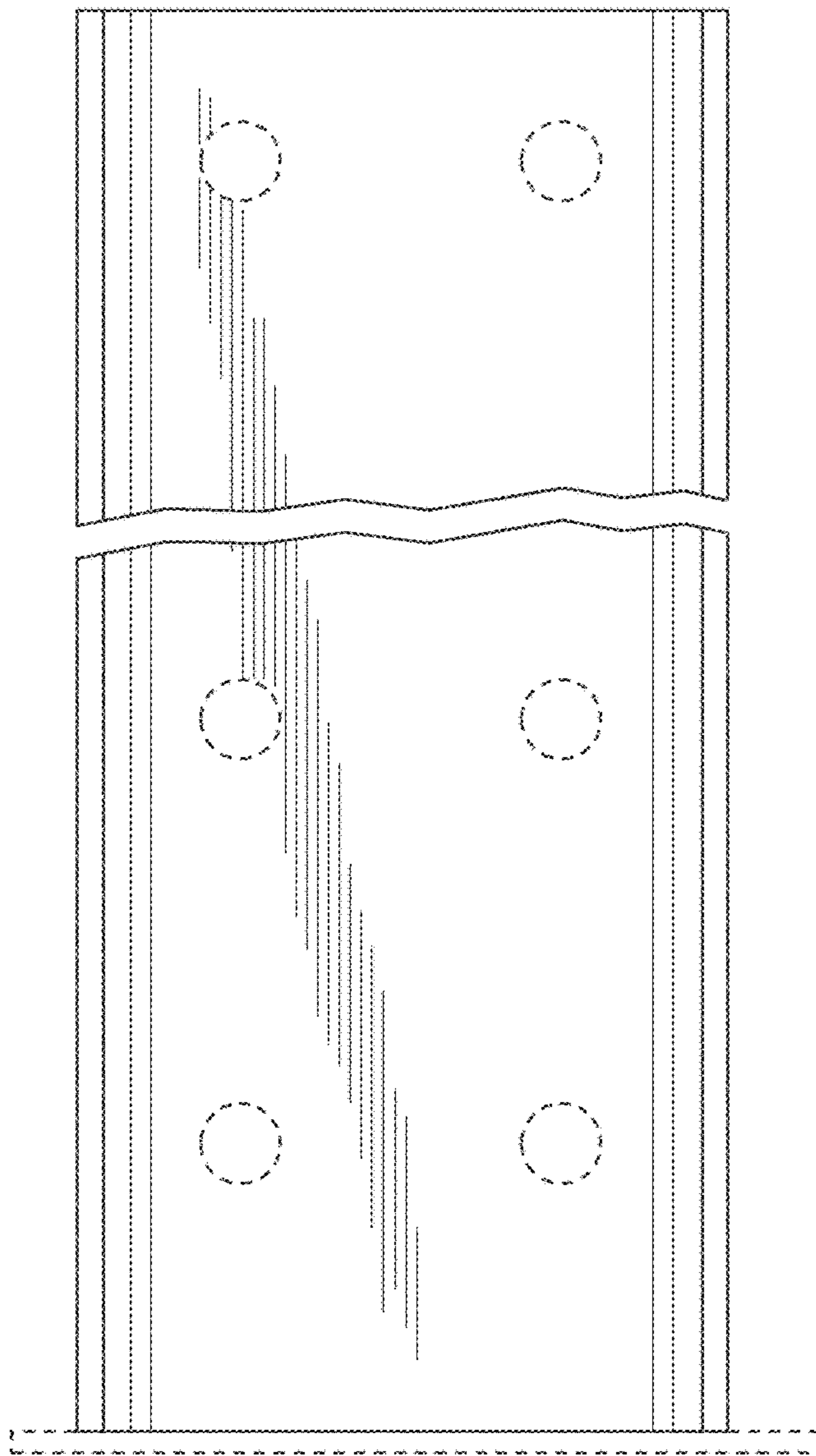


FIG. 3

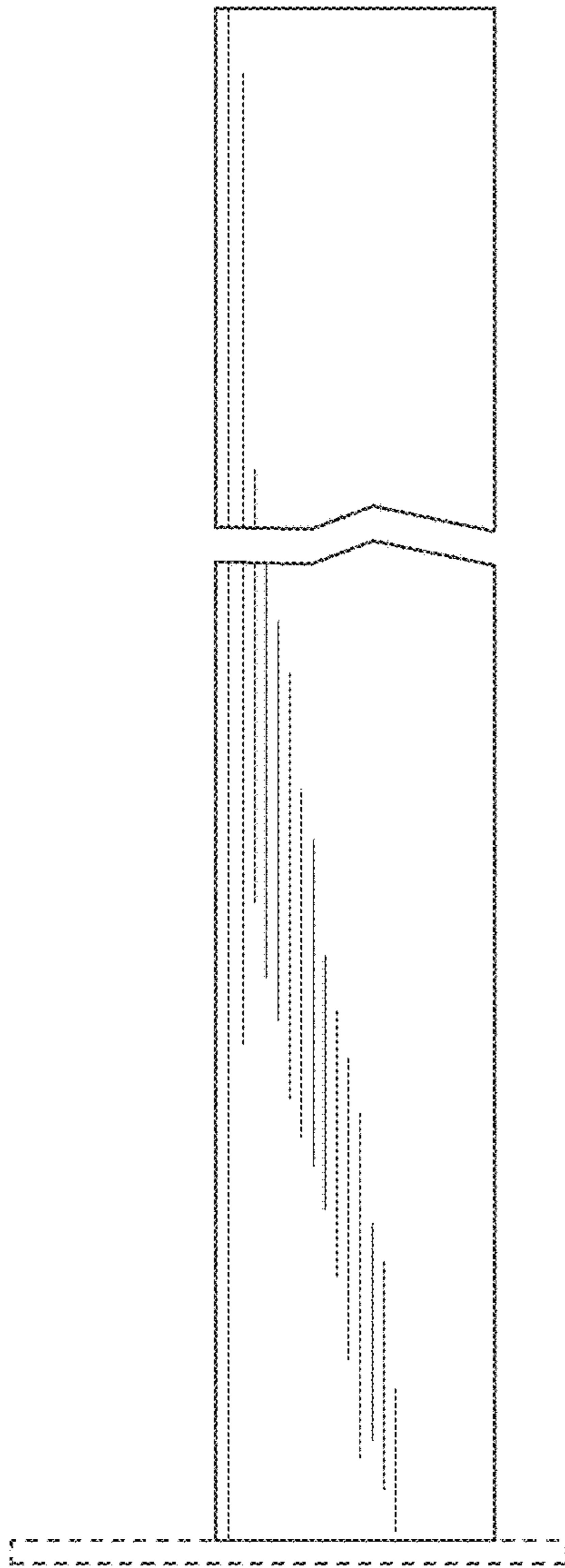


FIG. 4

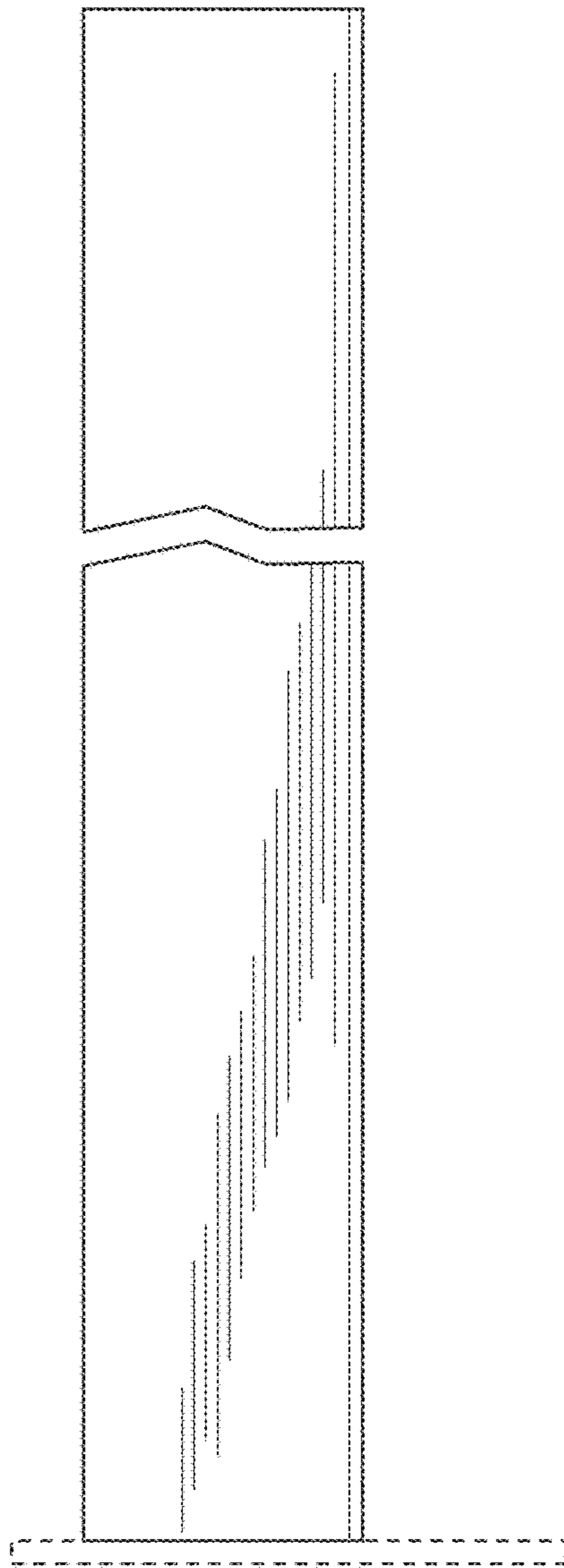


FIG. 5

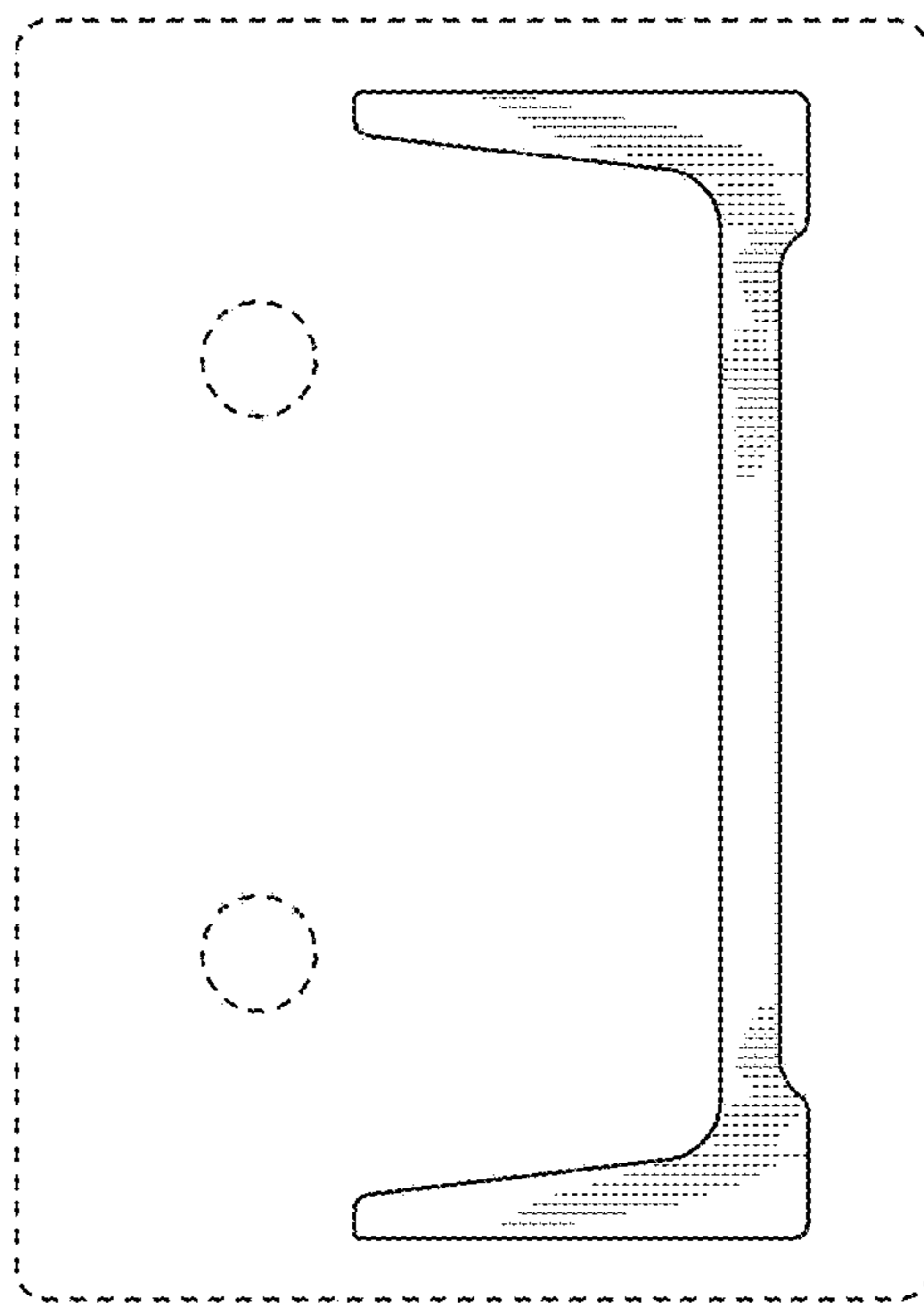


FIG. 6

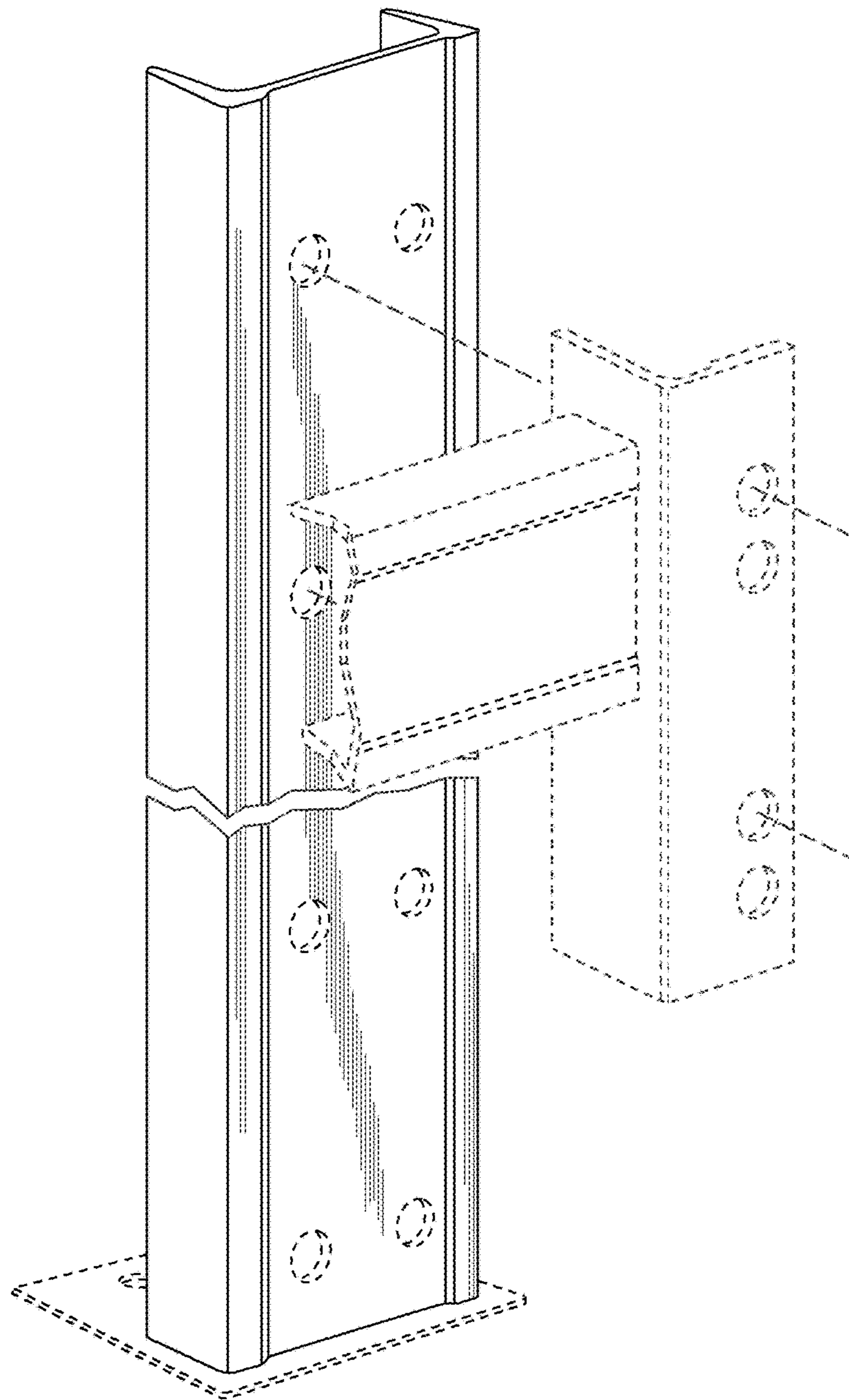


FIG. 7