



US00D839075S

(12) **United States Design Patent** (10) **Patent No.:** **US D839,075 S**
Macdonald et al. (45) **Date of Patent:** **** Jan. 29, 2019**

(54) **TEE CUBE CONNECTOR FOR WALL PANEL SYSTEM**

D174,951 S * 6/1955 Frishberg 446/111
2,869,692 A * 1/1959 Hassett B01D 46/10
446/127
2,926,941 A * 3/1960 Thompson A47B 47/0008
403/173

(71) Applicant: **Exterior Wall Systems Limited**
(Ontario Panelization), London,
Ontario (CA)

(Continued)

(72) Inventors: **Robert B. Macdonald**, London (CA);
Philip A. Macdonald, London (CA);
Alexander K. Williams, London (CA);
Jonathan W. Hoy, London (CA)

OTHER PUBLICATIONS

Screen shots taken from www.keithpanel.com (Keith Panel Systems), accessed Mar. 6, 2017.

(Continued)

(73) Assignee: **Exterior Wall Systems Limited**,
London, Ontario

Primary Examiner — Jennifer Rivard

Assistant Examiner — Alison Ofstun

(**) Term: **15 Years**

(74) *Attorney, Agent, or Firm* — Peter L. Brewer; Thrive IP

(21) Appl. No.: **29/592,480**

(22) Filed: **Jan. 31, 2017**

(51) **LOC (11) Cl.** **08-08**

(57) **CLAIM**

(52) **U.S. Cl.**
USPC **D8/349**; D25/124

The ornamental design for tee cube connector for wall panel system, as shown and described.

(58) **Field of Classification Search**
USPC D8/349, 354, 382, 383, 384, 403;
D25/113, 114, 119, 120–125, 131, 136,
D25/199; D21/484, 486, 500, 501, 839,
D21/468, 470, 471, 478, 479; D3/10
CPC ... E04F 13/0826; E04F 13/12; E04F 13/0889;
E04F 13/08; E04H 1/00; E04H 15/34;
E04H 15/646; E04B 1/34326; E04B
2001/5856; E04B 2001/5875; Y10S
135/909; Y10T 403/349; Y10T 403/341;
Y10T 403/347

DESCRIPTION

FIG. 1 is a perspective view of a first embodiment of a tee cube connector for a wall panel system, showing our new design.

FIG. 2 is another perspective view thereof.

FIG. 3 is a front elevation view thereof.

FIG. 4 is a rear elevation view thereof.

FIG. 5 is a top plan view thereof.

FIG. 6 is a bottom plan view thereof.

FIG. 7 is a right side elevation view thereof.

FIG. 8 is a left side elevation view thereof.

(Continued)

See application file for complete search history.

(56) **References Cited**

U.S. PATENT DOCUMENTS

117,370 A * 7/1871 Bates E04H 15/44
135/121

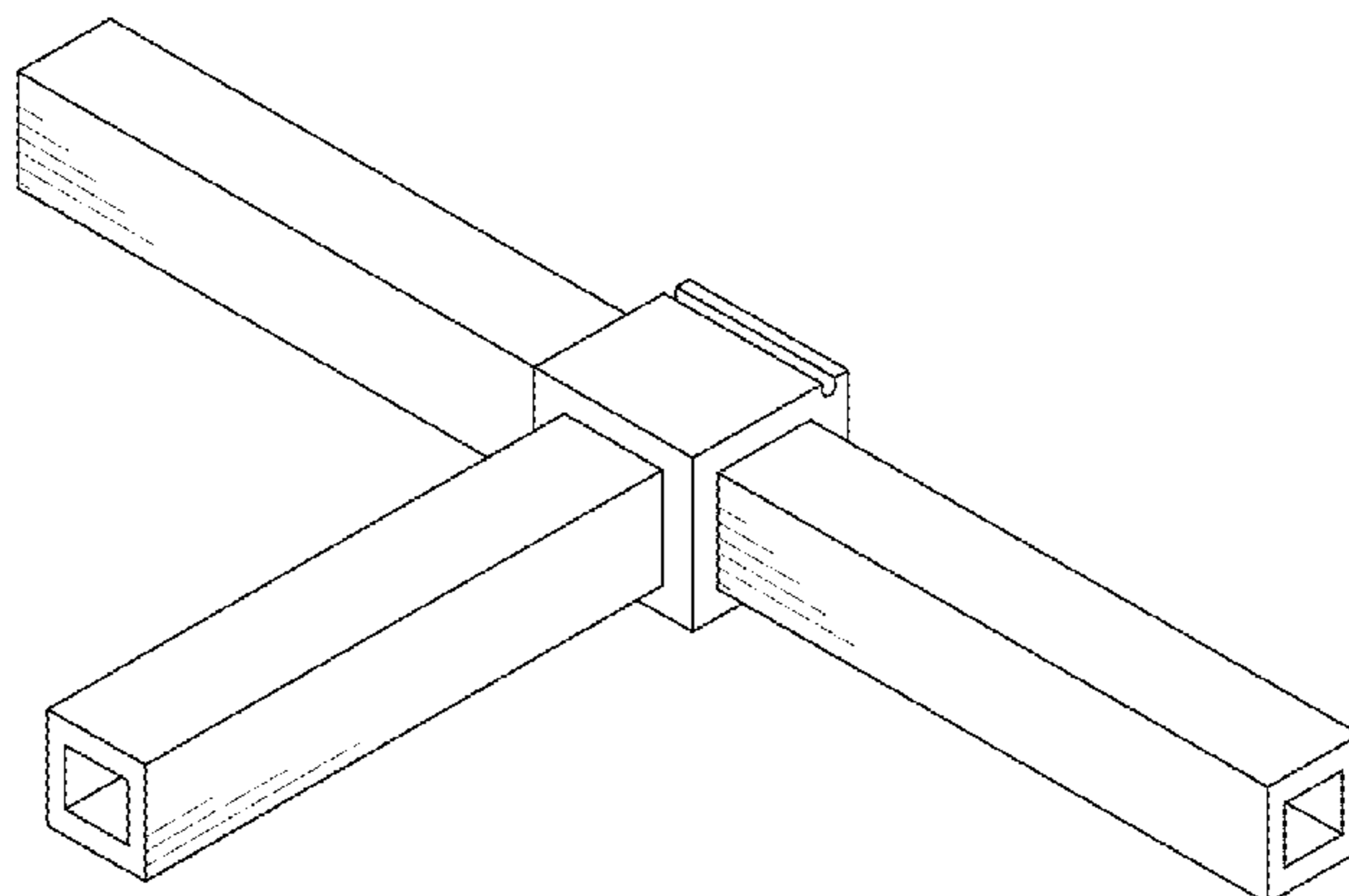


FIG. 9 is a perspective view of a second embodiment of a tee cube connector for a wall panel system.
 FIG. 10 is another perspective view thereof.
 FIG. 11 is a front elevation view thereof.
 FIG. 12 is a rear elevation view thereof.
 FIG. 13 is a top plan view thereof.
 FIG. 14 is a bottom plan view thereof.
 FIG. 15 is a right side elevation view thereof; and,
 FIG. 16 is a left side elevation view thereof.

1 Claim, 8 Drawing Sheets

(56)

References Cited

U.S. PATENT DOCUMENTS

3,252,287 A * 5/1966 Suzuki E02B 3/129
 273/160
 3,424,178 A * 1/1969 Yoshimi A01G 9/16
 135/157
 3,645,569 A * 2/1972 Reilly A47B 47/0008
 403/217
 D264,049 S * 4/1982 Magner D8/382
 D272,766 S * 2/1984 Guerriero D25/68
 4,439,960 A 4/1984 Jenkins
 D306,690 S * 3/1990 Bison D8/373
 4,999,960 A 3/1991 Herwegh et al.
 5,067,293 A 11/1991 Reynolds
 5,220,759 A 6/1993 Hossli
 5,226,274 A 7/1993 Sommerstein
 5,239,798 A 8/1993 Saito
 5,263,292 A 11/1993 Holland et al.
 D342,328 S * 12/1993 Granstrom D25/126
 5,301,484 A 4/1994 Jansson
 5,379,561 A 1/1995 Saito
 D355,589 S * 2/1995 Kuwata D8/382
 D360,267 S 7/1995 DiGiorgio
 5,522,193 A 6/1996 Sommerstein et al.
 D373,200 S 8/1996 Colitto
 5,556,218 A * 9/1996 Homer E04B 1/5831
 403/170
 5,590,974 A * 1/1997 Yang A47B 47/005
 403/171
 D379,242 S 5/1997 Lin
 D388,887 S 1/1998 Hersh et al.
 D400,080 S 10/1998 Beard, Jr.

D405,197 S 2/1999 Arcati et al.
 D417,737 S 12/1999 Stansfield
 D423,910 S 5/2000 Cyrell
 6,065,259 A 5/2000 Clear
 D429,347 S 8/2000 Doyle et al.
 D431,373 S * 10/2000 Zappitelli D21/479
 D461,014 S 7/2002 Marshall
 6,427,408 B1 8/2002 Krieger
 6,484,465 B2 11/2002 Higgins
 D491,450 S * 6/2004 Braun D8/382
 6,748,709 B1 6/2004 Sherman et al.
 D496,248 S 9/2004 Liebendorfer
 D501,936 S 2/2005 Kim
 D583,219 S * 12/2008 Dagg D8/349
 D592,492 S * 5/2009 Werschmidt D8/382
 D619,447 S 7/2010 Liu
 D619,880 S 7/2010 MacDonald et al.
 D622,864 S * 8/2010 Bajrami D25/35
 D626,663 S 11/2010 Stephens
 8,166,716 B2 5/2012 Macdonald et al.
 D662,805 S 7/2012 Macdonald et al.
 D666,321 S 8/2012 Morton
 D675,046 S 1/2013 Kloppers
 D692,592 S 10/2013 Kosonen
 8,595,996 B2 12/2013 Korman et al.
 8,745,941 B2 6/2014 Macdonald et al.
 D718,888 S 12/2014 Schwarz et al.
 D731,677 S 6/2015 Bernier
 9,068,358 B2 6/2015 Macdonald et al.
 D736,958 S 8/2015 Chaney et al.
 9,163,394 B1 * 10/2015 Barker E04H 6/025
 D744,667 S 12/2015 Macdonald et al.
 D745,192 S 12/2015 Suciu et al.
 D760,403 S 6/2016 Bilge
 D767,786 S 9/2016 Smith
 D778,465 S 2/2017 Zombek
 D783,390 S * 4/2017 Nelson D8/349
 D815,300 S * 4/2018 Lin F16B 7/10
 D25/38.1
 2006/0029462 A1 * 2/2006 Patberg B62D 23/005
 403/171
 2007/0119105 A1 5/2007 MacDonald et al.

OTHER PUBLICATIONS

Screen shots taken from www.dri-design.com (Dri-Design Wall Panel System), accessed Mar. 6, 2017.
 Screen shots taken from www.elward.com (Elward Systems Corporation), accessed Mar. 6, 2016.

* cited by examiner

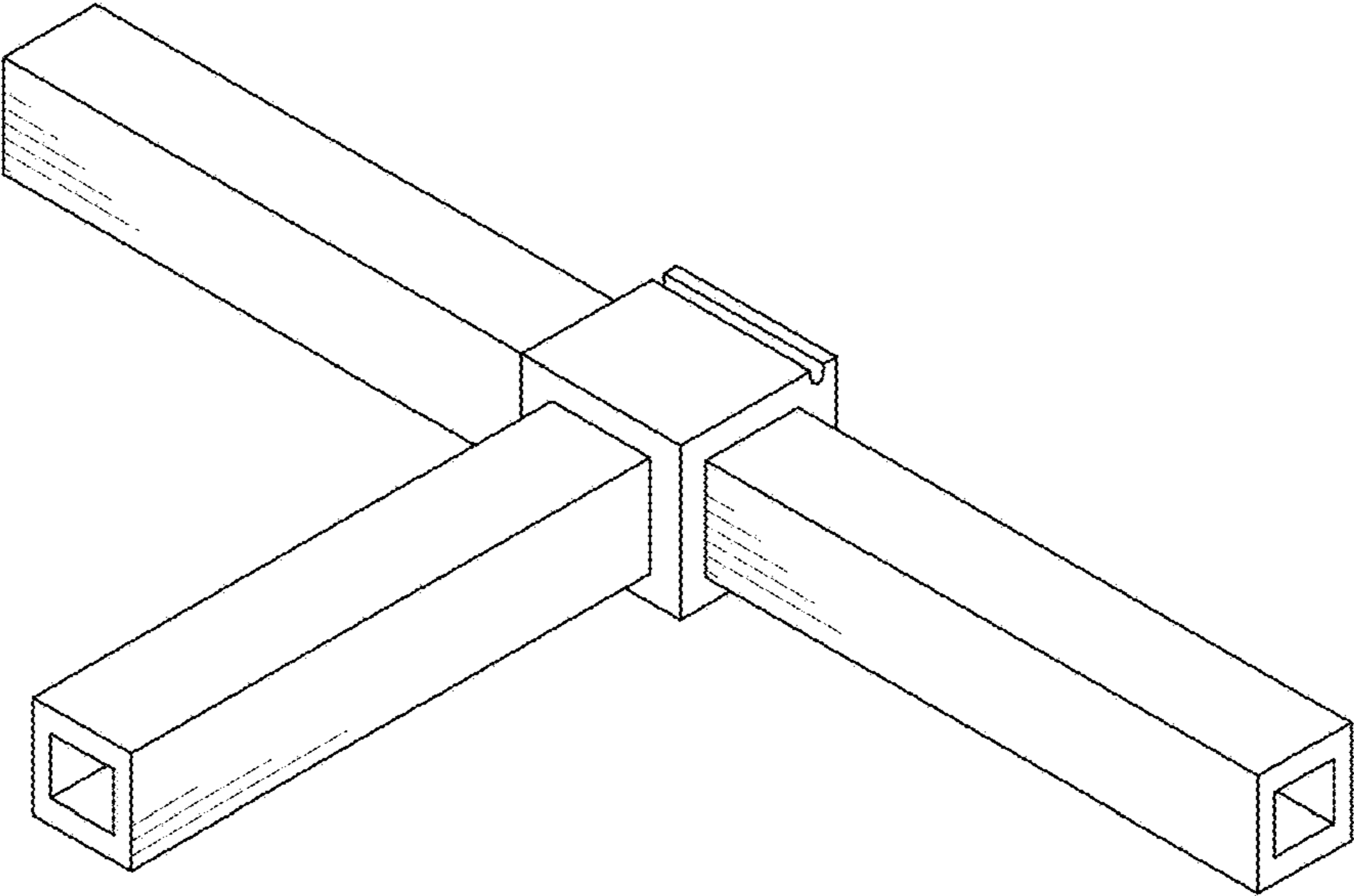


FIG. 1

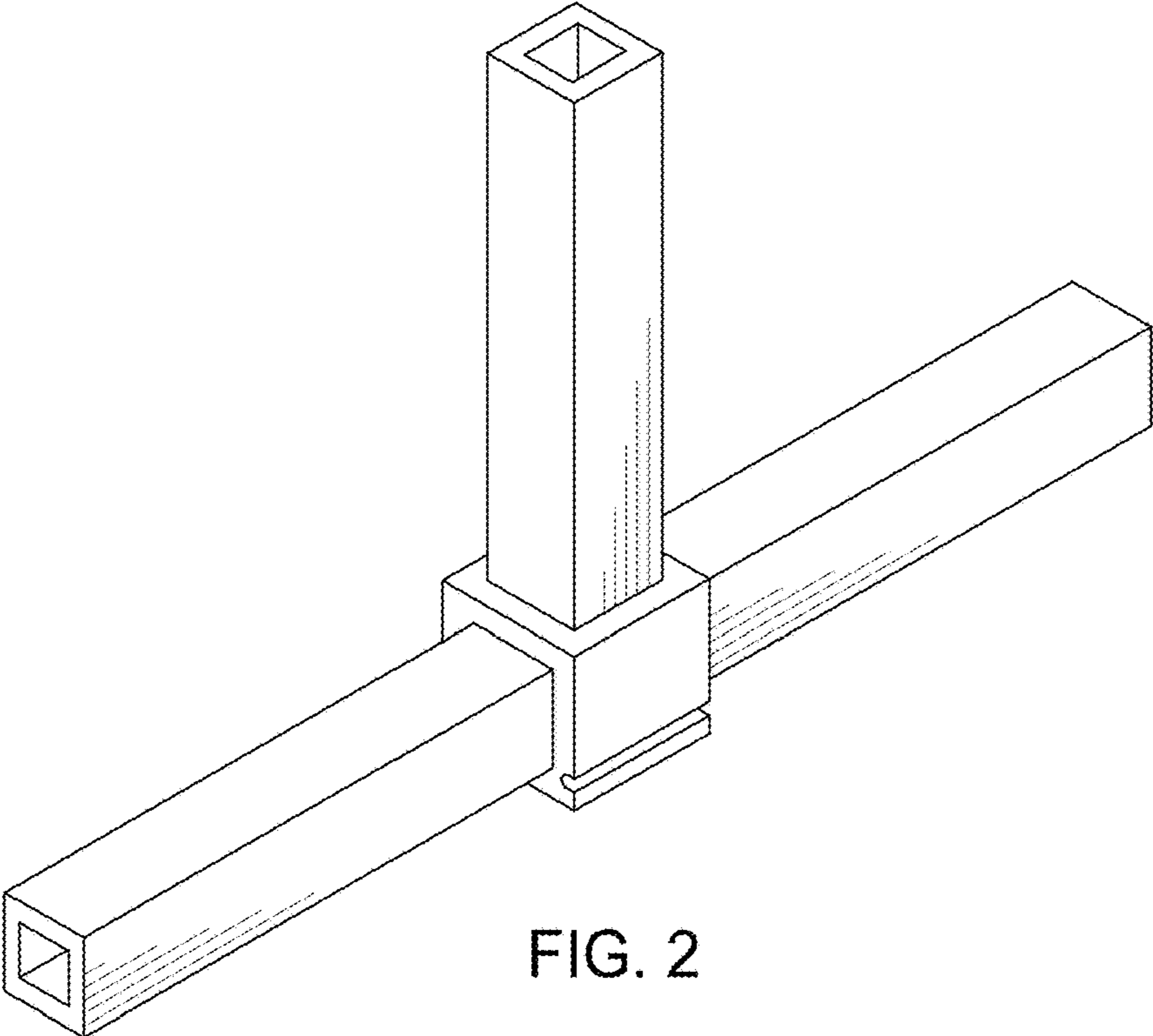


FIG. 2

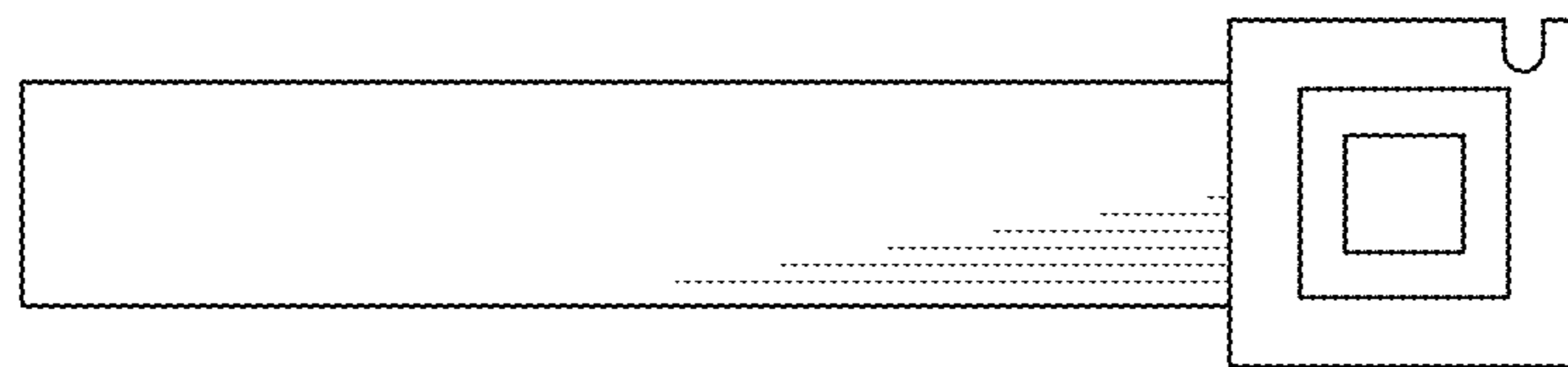


FIG. 3

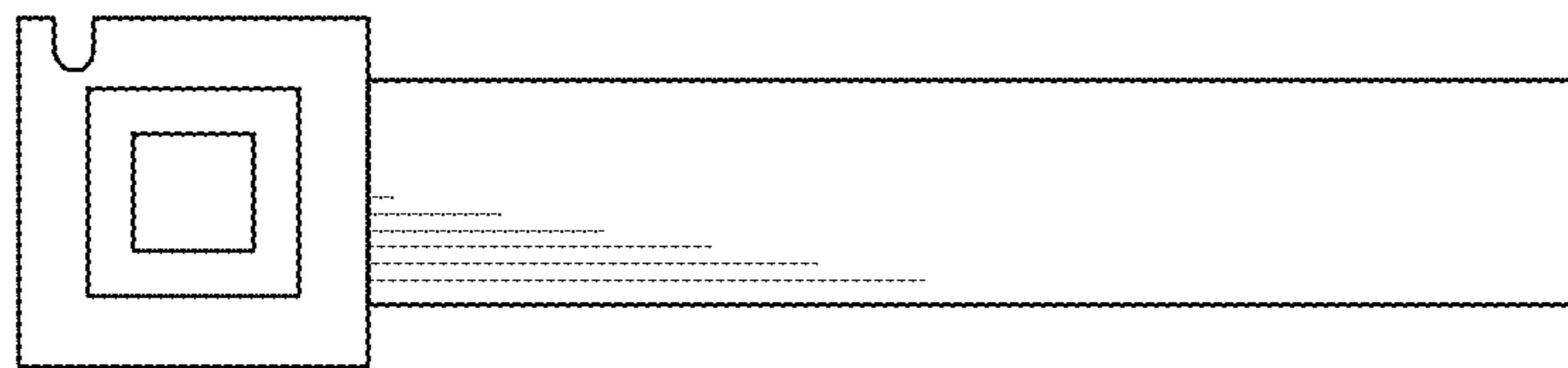


FIG. 4

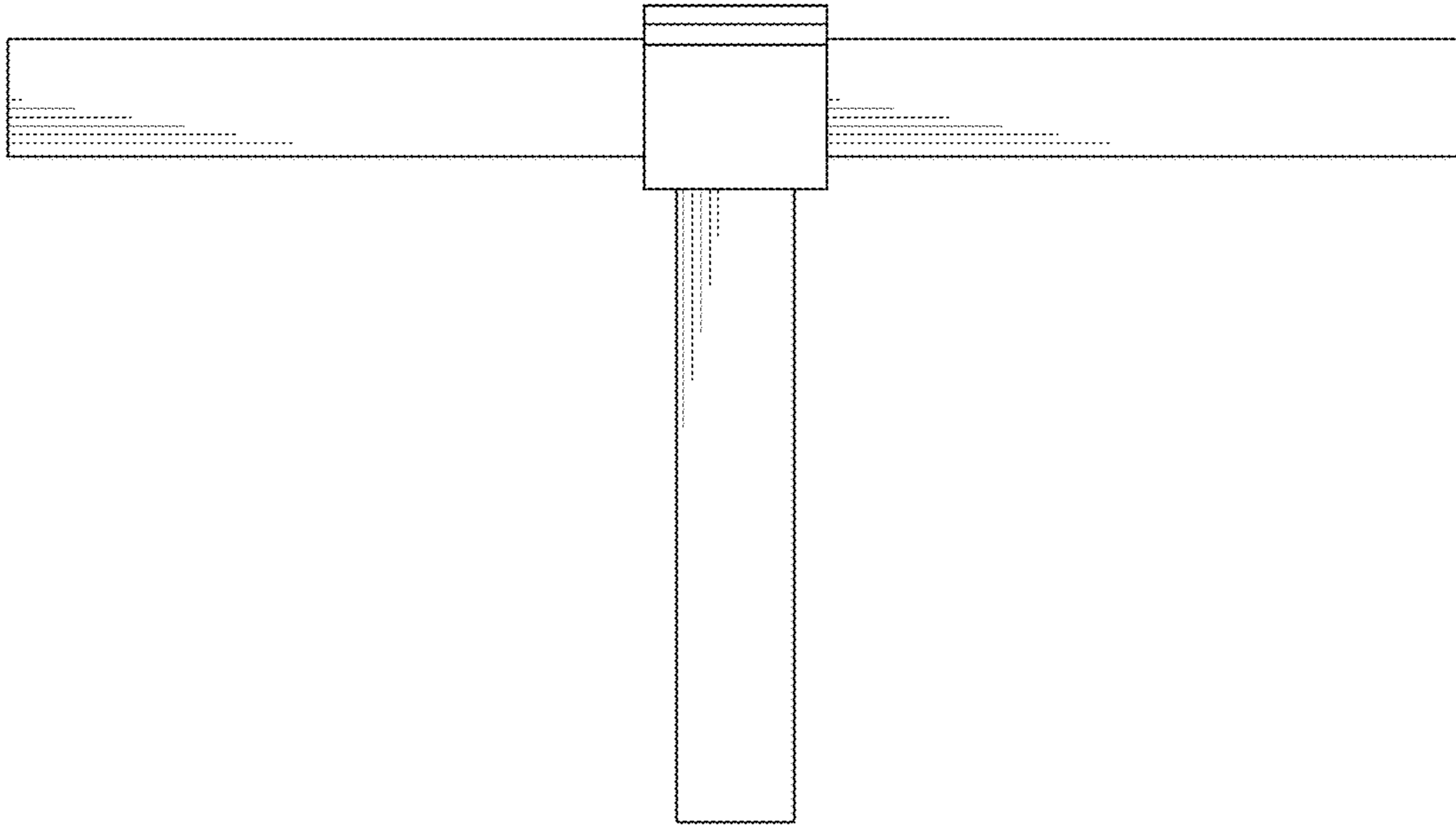


FIG. 5

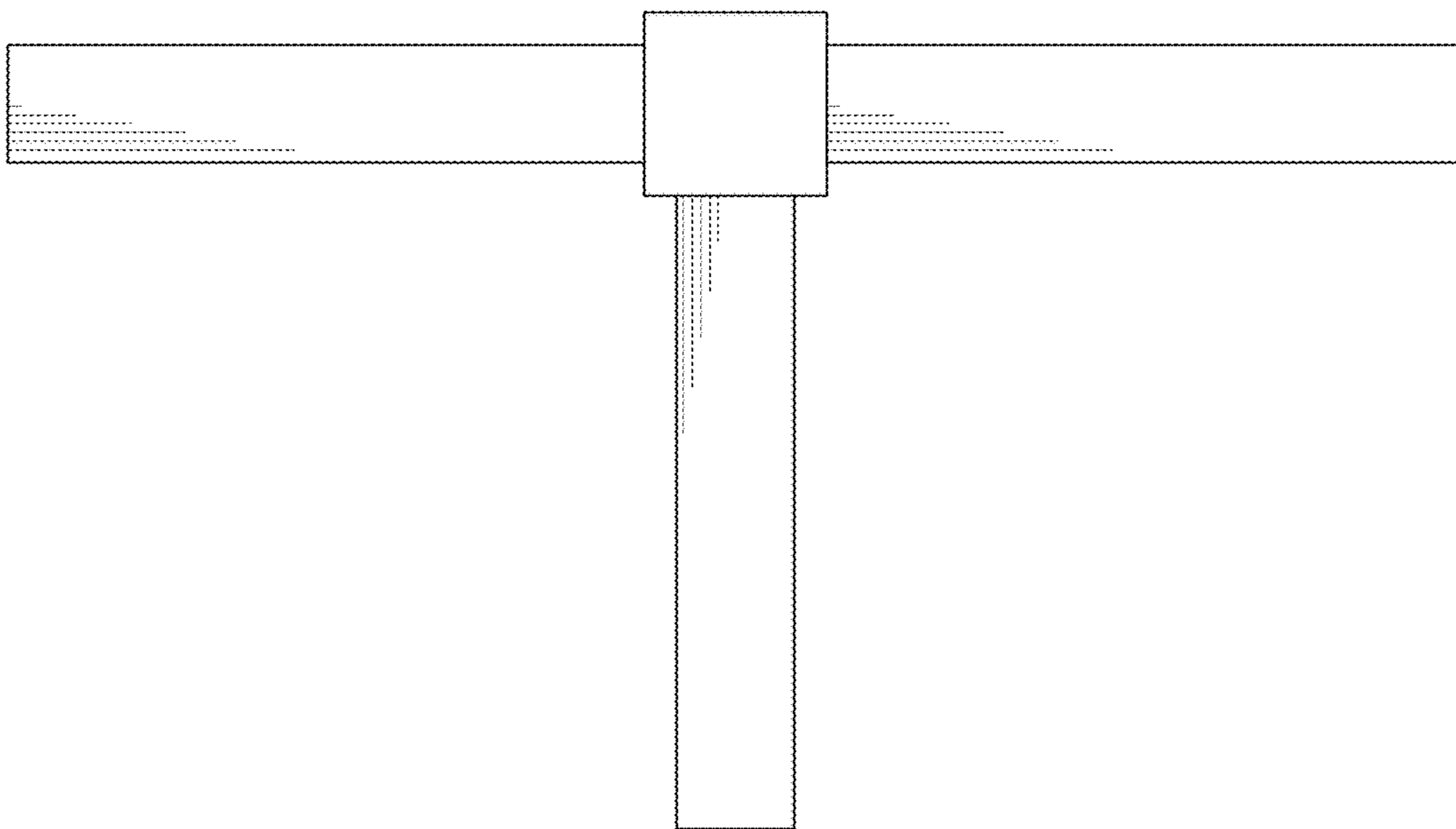


FIG. 6

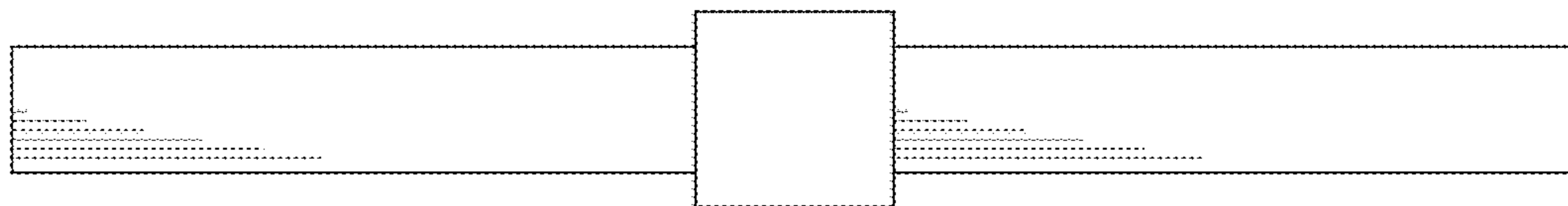


FIG. 7

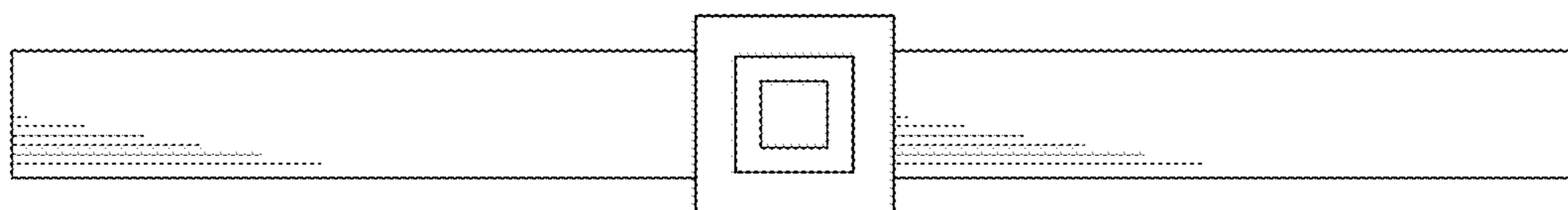


FIG. 8

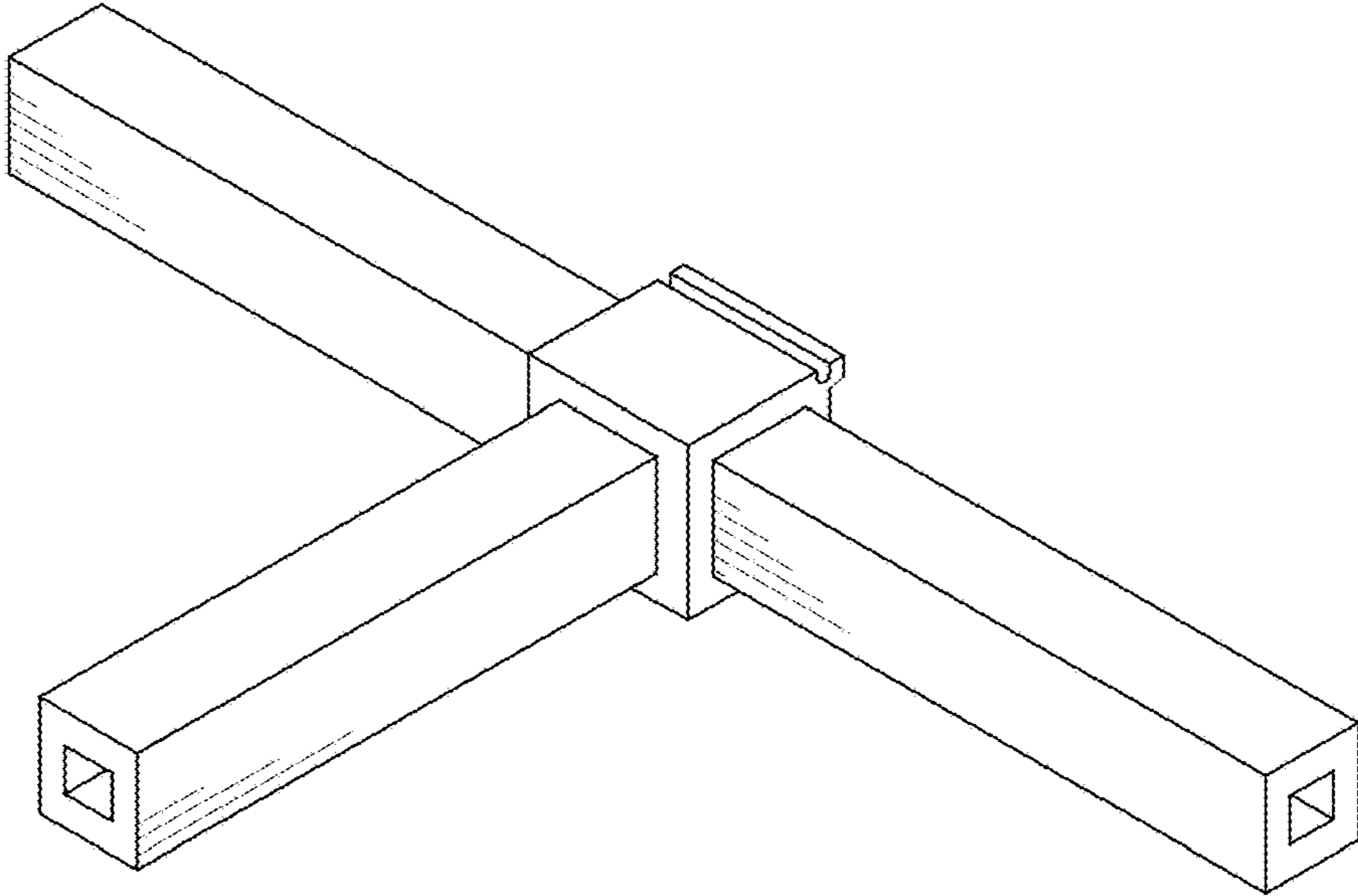


FIG. 9

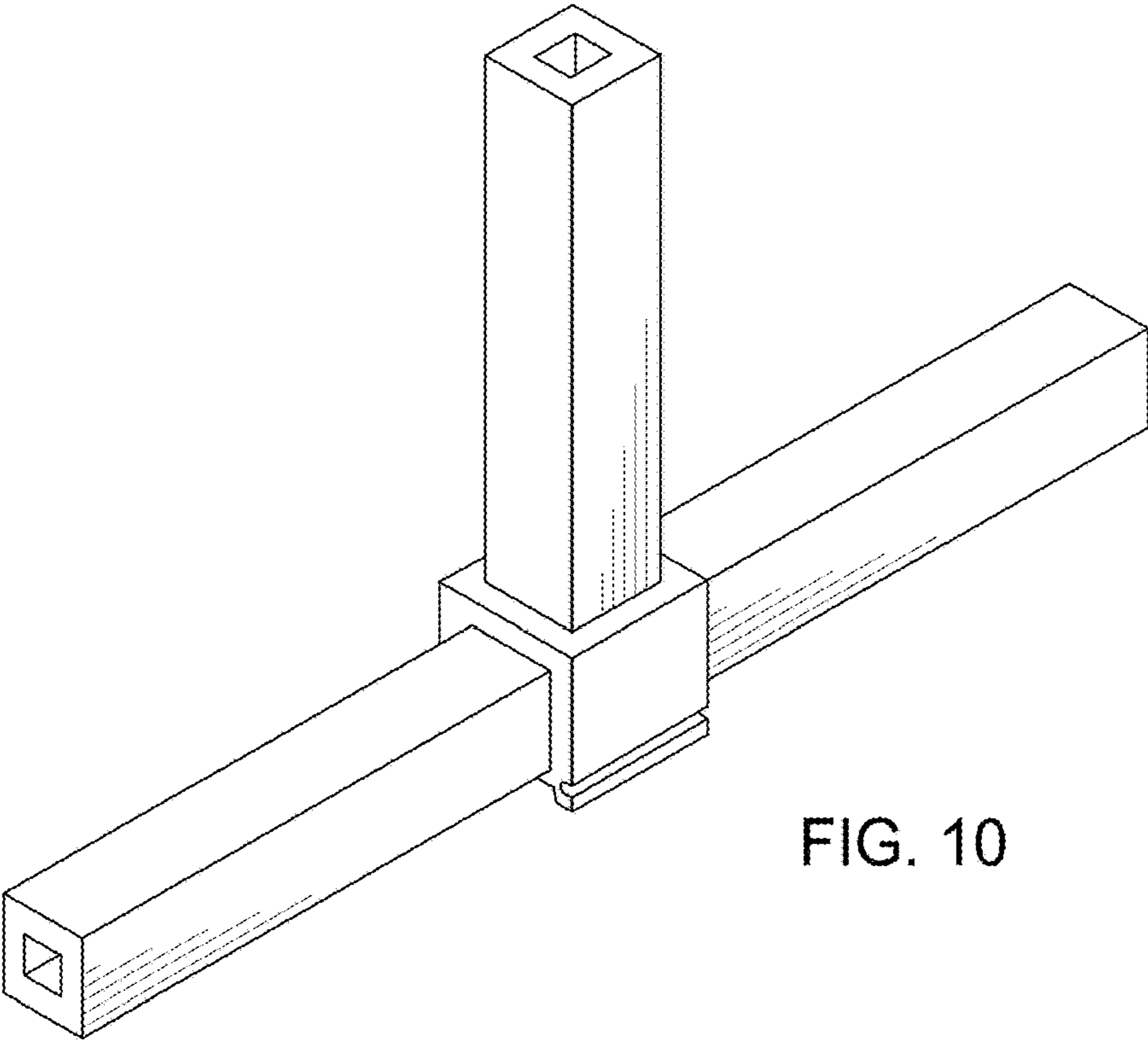


FIG. 10

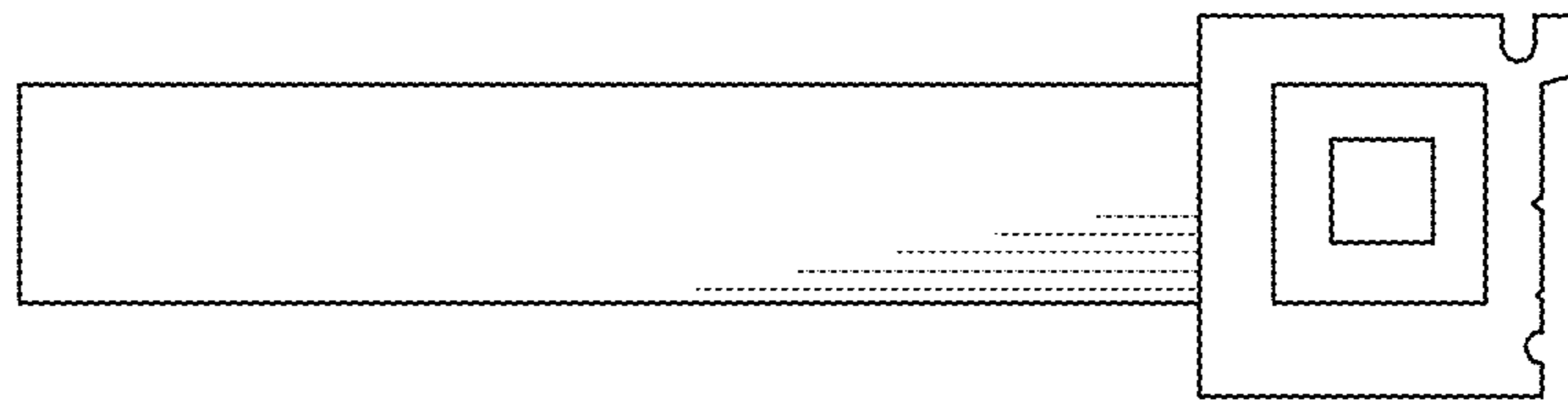


FIG. 11

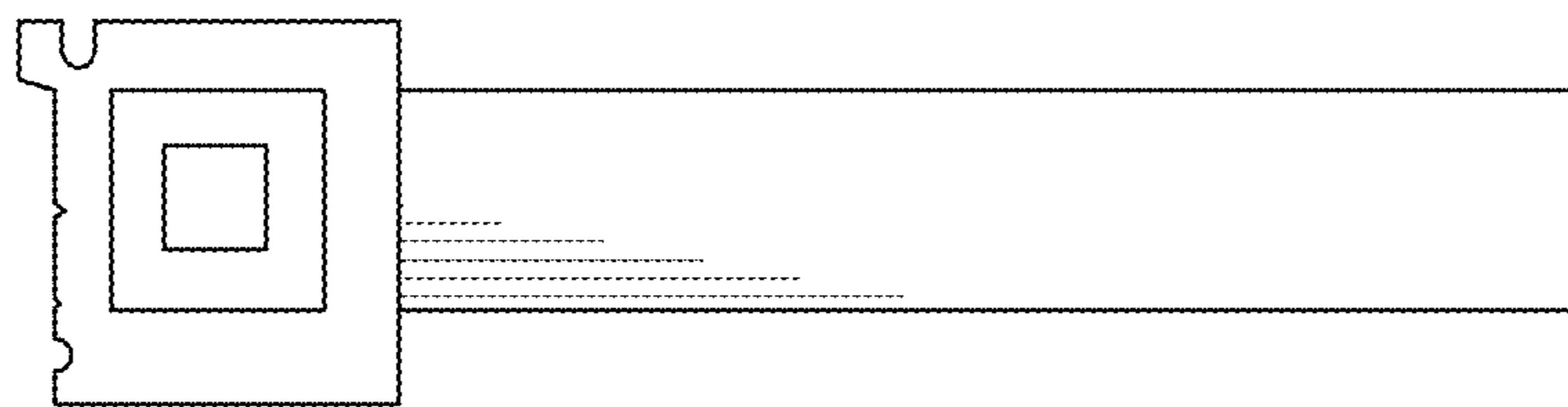


FIG. 12

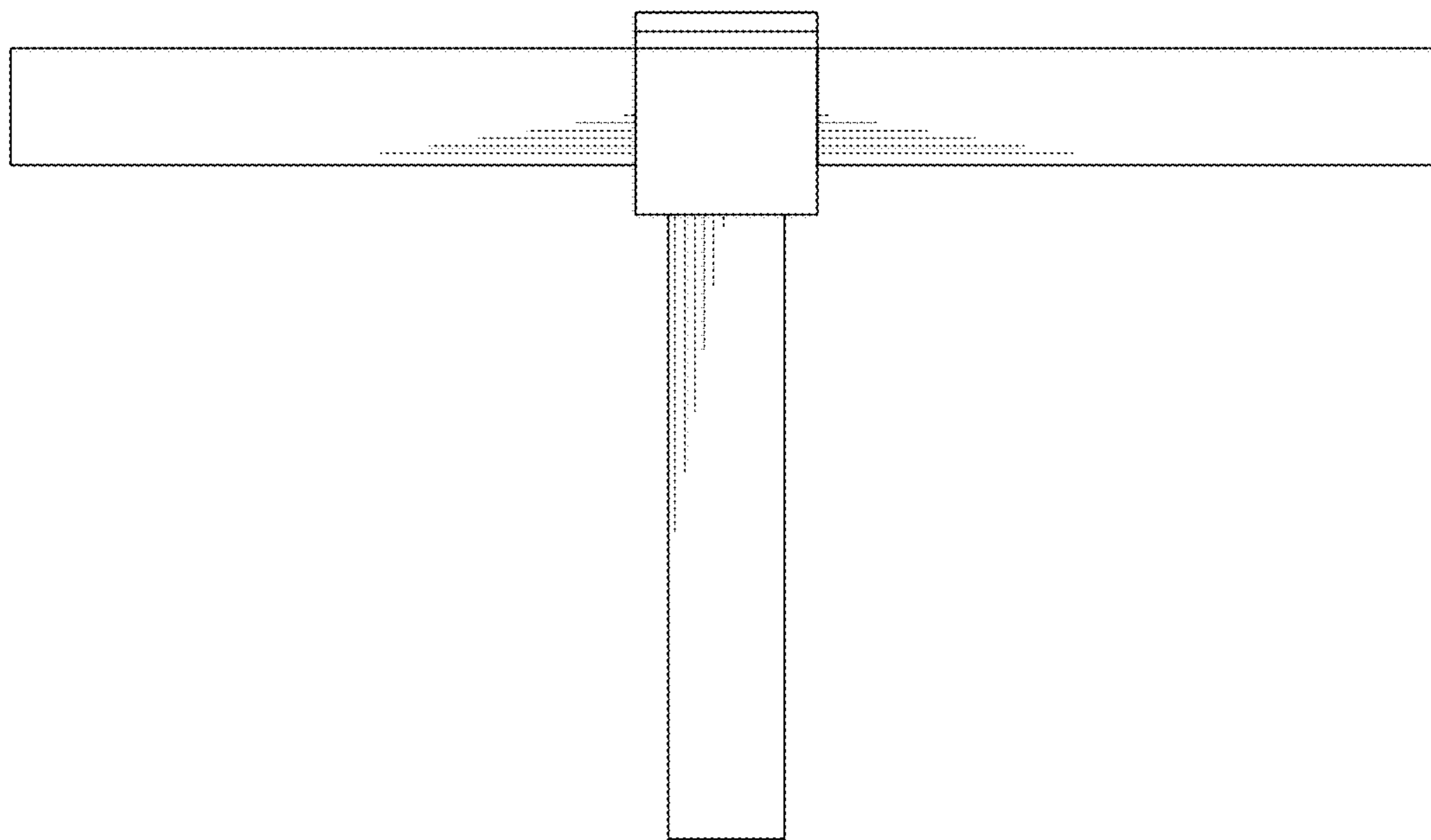


FIG. 13

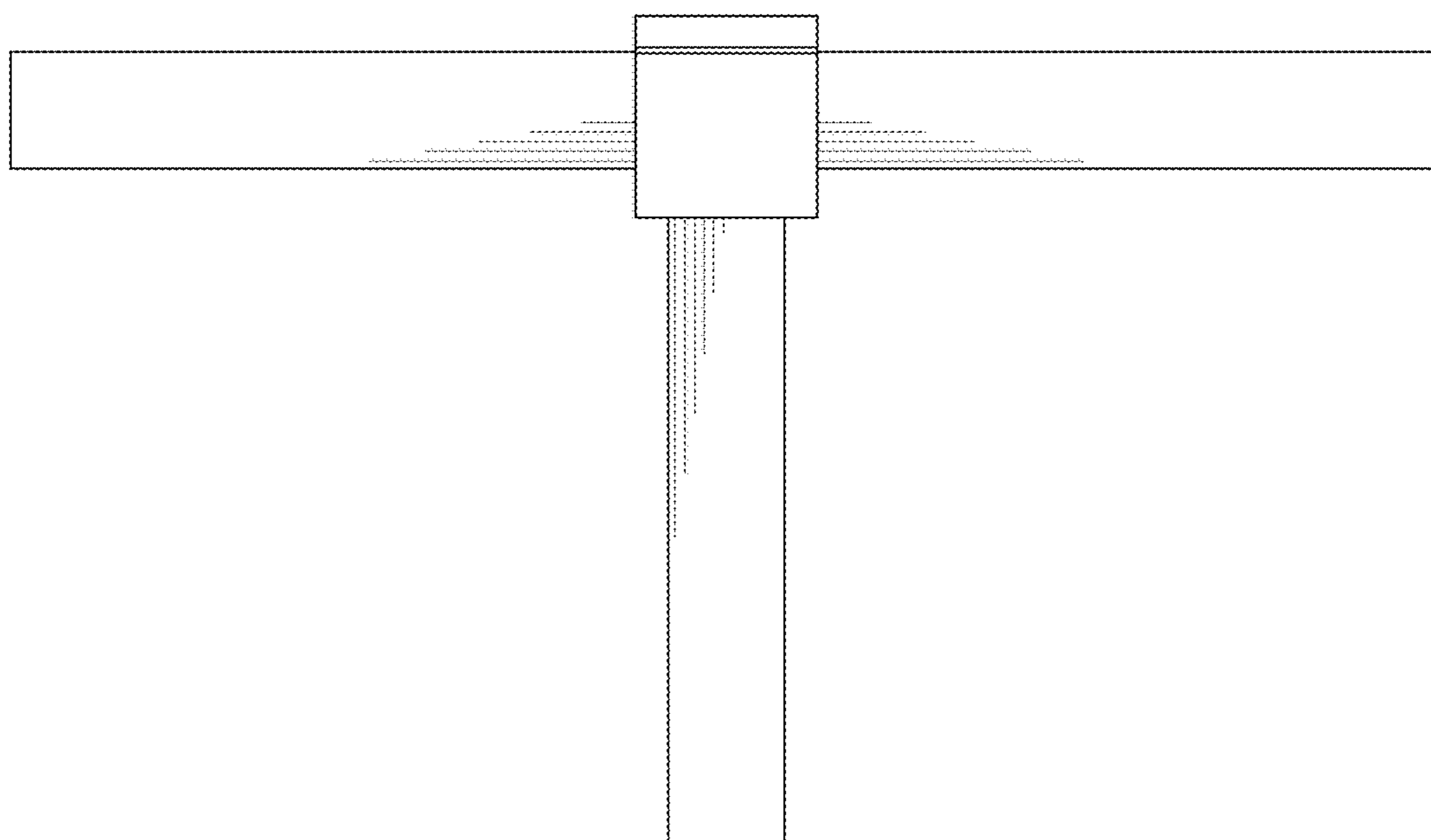


FIG. 14

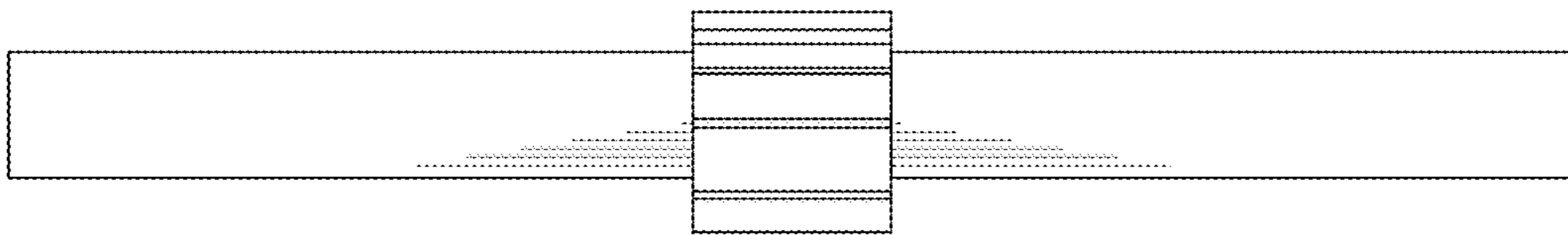


FIG. 15

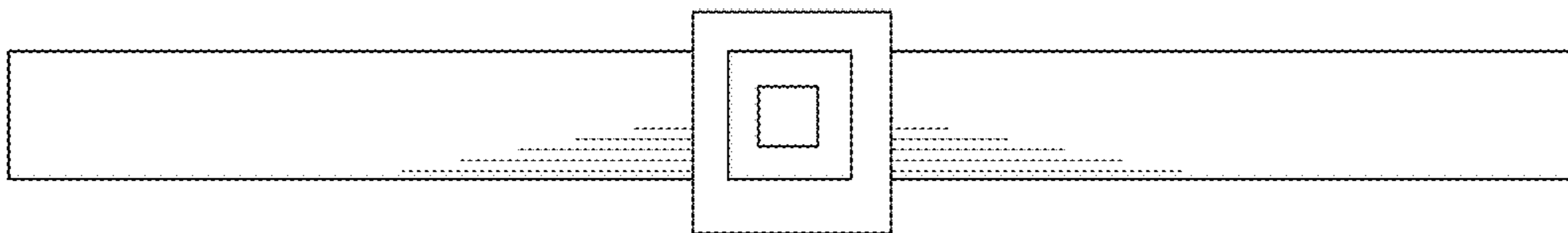


FIG. 16