



US00D839074S

(12) **United States Design Patent**
Fink et al.

(10) **Patent No.:** **US D839,074 S**
(45) **Date of Patent:** **** Jan. 29, 2019**

- (54) **GRAVITY LATCH**
- (71) Applicant: **FATH, INC.**, Orlando, FL (US)
- (72) Inventors: **Armin Fink**, Ocoee, FL (US); **William Kenneth Williams**, Lexington, NC (US); **Joseph Oliva**, Orlando, FL (US)
- (73) Assignee: **FATH, INC.**, Orlando, FL (US)
- (**) Term: **15 Years**
- (21) Appl. No.: **29/619,796**
- (22) Filed: **Oct. 2, 2017**

- 5,094,358 A 3/1992 Serio, Sr.
- D333,715 S 3/1993 Mahler
- 5,316,353 A * 5/1994 McKernan E05B 15/1614
292/337
- 5,347,262 A * 9/1994 Thurmond E05B 73/0017
340/505
- D364,329 S * 11/1995 Ziemer D8/331
- 5,735,428 A 4/1998 Chern
- 5,738,395 A 4/1998 Probst
- 5,772,264 A 6/1998 Bettenhausen
- D439,497 S * 3/2001 Clark D8/331
- 6,880,717 B1 4/2005 O'Conor
- D587,558 S * 3/2009 Sarnowski D8/301
- 7,540,393 B2 6/2009 Wong
- D605,493 S * 12/2009 Tejszerski D8/331
- 8,313,126 B2 11/2012 Ferkovichea
- 8,366,156 B2 2/2013 Mercier et al.
- 8,479,949 B2 7/2013 Henkel

(Continued)

Related U.S. Application Data

- (63) Continuation-in-part of application No. 15/676,153, filed on Aug. 14, 2017.
- (51) **LOC (11) Cl.** **08-07**
- (52) **U.S. Cl.**
USPC **D8/331**
- (58) **Field of Classification Search**
USPC D8/330, 331-336, 338, 343, 347; 70/57, 70/57.1, 14, 20-22, 91, 92, 102, 141, 70/237, 272.2, 278.1, 278.7, 279.1, 416, 70/465, 442, 443, 214, 447, 367; 340/542, 547, 545.1, 545.7; 292/336.3, 292/301-304, 358, 359
CPC . E05B 9/00; E05B 9/08; E05B 13/103; E05B 27/00; E05B 35/00; E05B 37/00; E05B 41/00; E05B 49/00; E05B 51/00; E05B 55/00; E05B 65/00; E05B 65/007; E05B 15/0093
See application file for complete search history.

Primary Examiner — R. Johnson

(74) *Attorney, Agent, or Firm* — Robert L. Wolter; Beusse, Wolter, Sanks & Maire PLLC

CLAIM

(57) The ornamental design for a gravity latch, as shown and described.

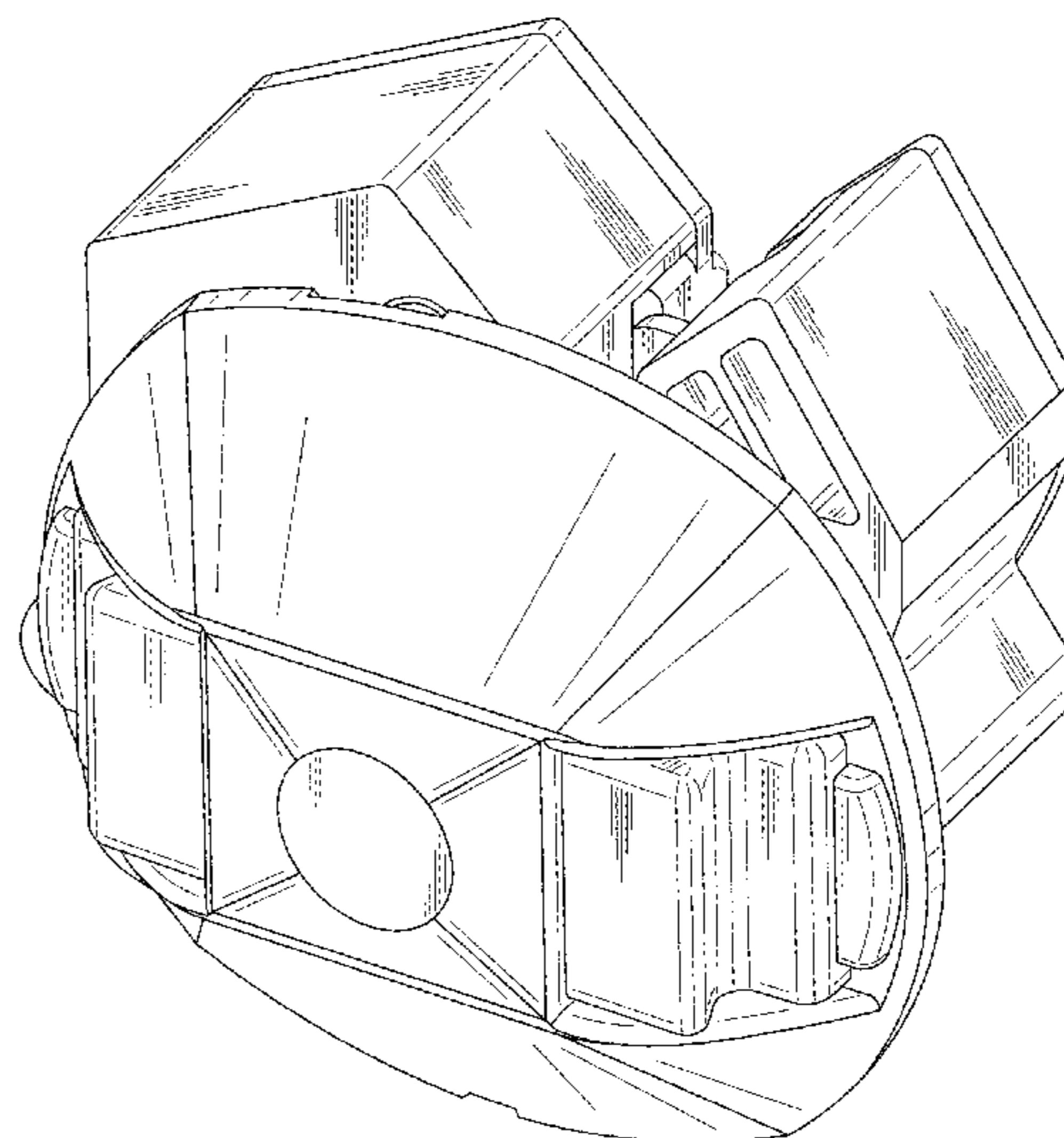
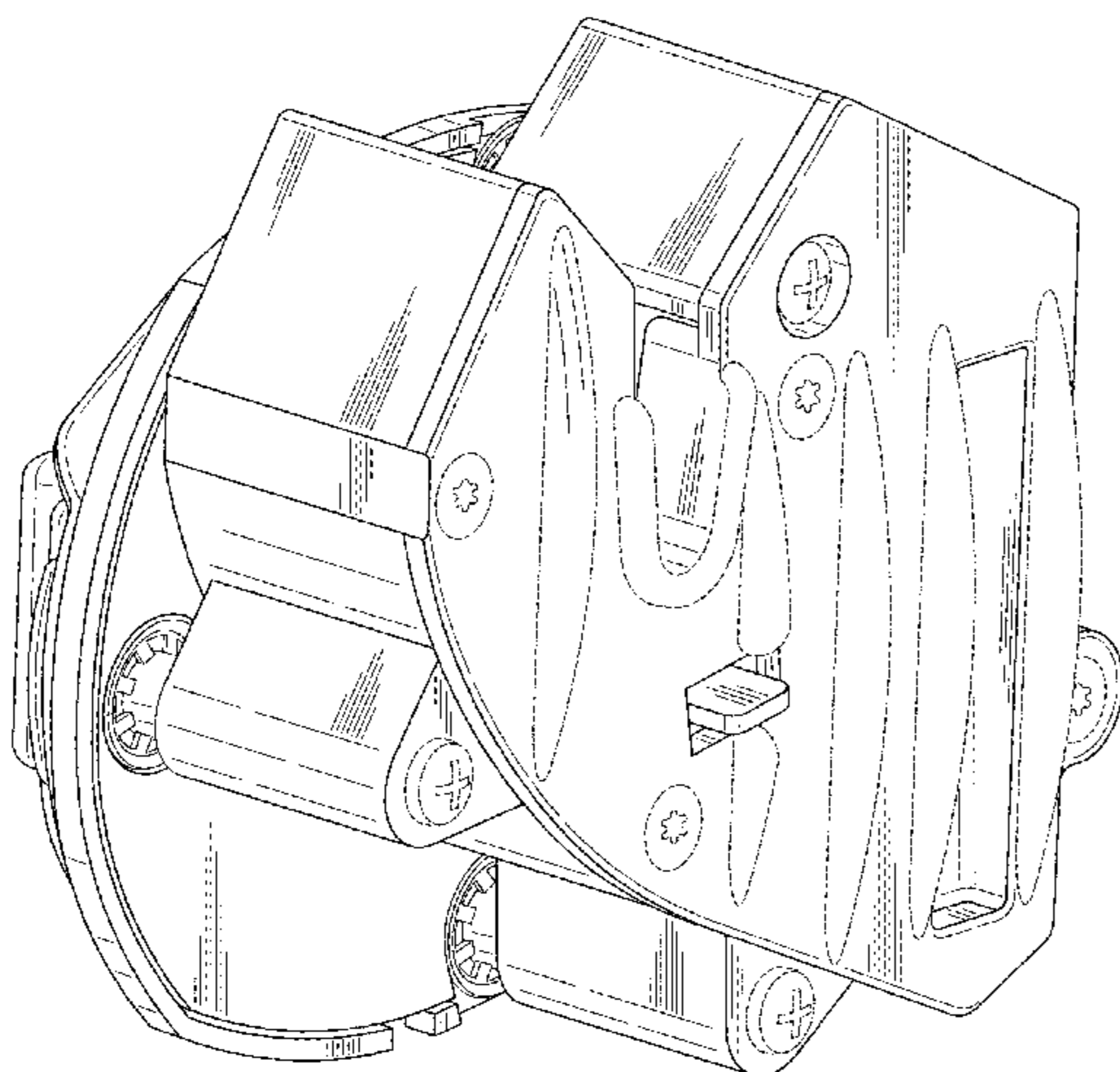
DESCRIPTION

FIG. 1 is a rear left perspective view of a gravity latch in accordance with the present invention; FIG. 2 is a rear right perspective view thereof; FIG. 3 is a front perspective view thereof; FIG. 4 is a left side view thereof; FIG. 5 is a right side view thereof; FIG. 6 is a top plan view thereof; FIG. 7 is a bottom plan view thereof; FIG. 8 is a rear elevational view thereof; and, FIG. 9 is a front elevational view thereof. The broken lines shown represent unclaimed subject matter and form no part of the claimed design.

(56) **References Cited**
U.S. PATENT DOCUMENTS

- 2,918,318 A 12/1959 Sacharski
- D293,548 S * 1/1988 Bates D8/337

1 Claim, 8 Drawing Sheets



(56)

References Cited

U.S. PATENT DOCUMENTS

8,590,348 B1 * 11/2013 Skjellerup E05B 73/0017
24/704.1
D807,137 S * 1/2018 Whitaker D8/72
2003/0155366 A1 8/2003 Raghunathan
2007/0175898 A1 8/2007 Craft et al.
2008/0289372 A1 * 11/2008 Rendon E05B 73/0017
70/57.1
2009/0255724 A1 * 10/2009 Anders E05B 9/082
174/520
2013/0306637 A1 11/2013 Pallwitz
2014/0034645 A1 2/2014 Jackson
2014/0260451 A1 * 9/2014 Quach E05B 47/0012
70/278.1
2016/0060898 A1 3/2016 Michael

* cited by examiner

FIG. 1

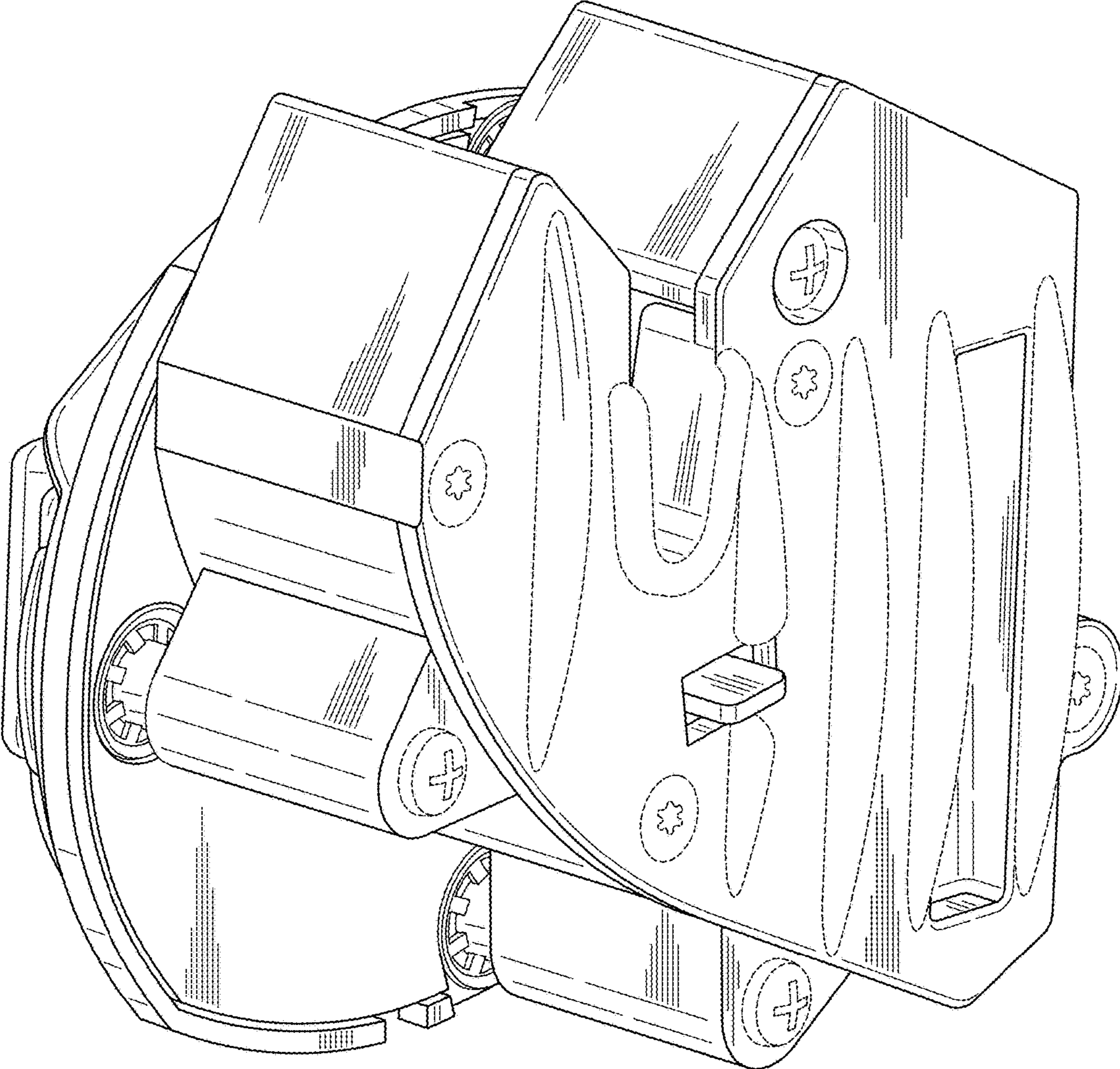


FIG. 2

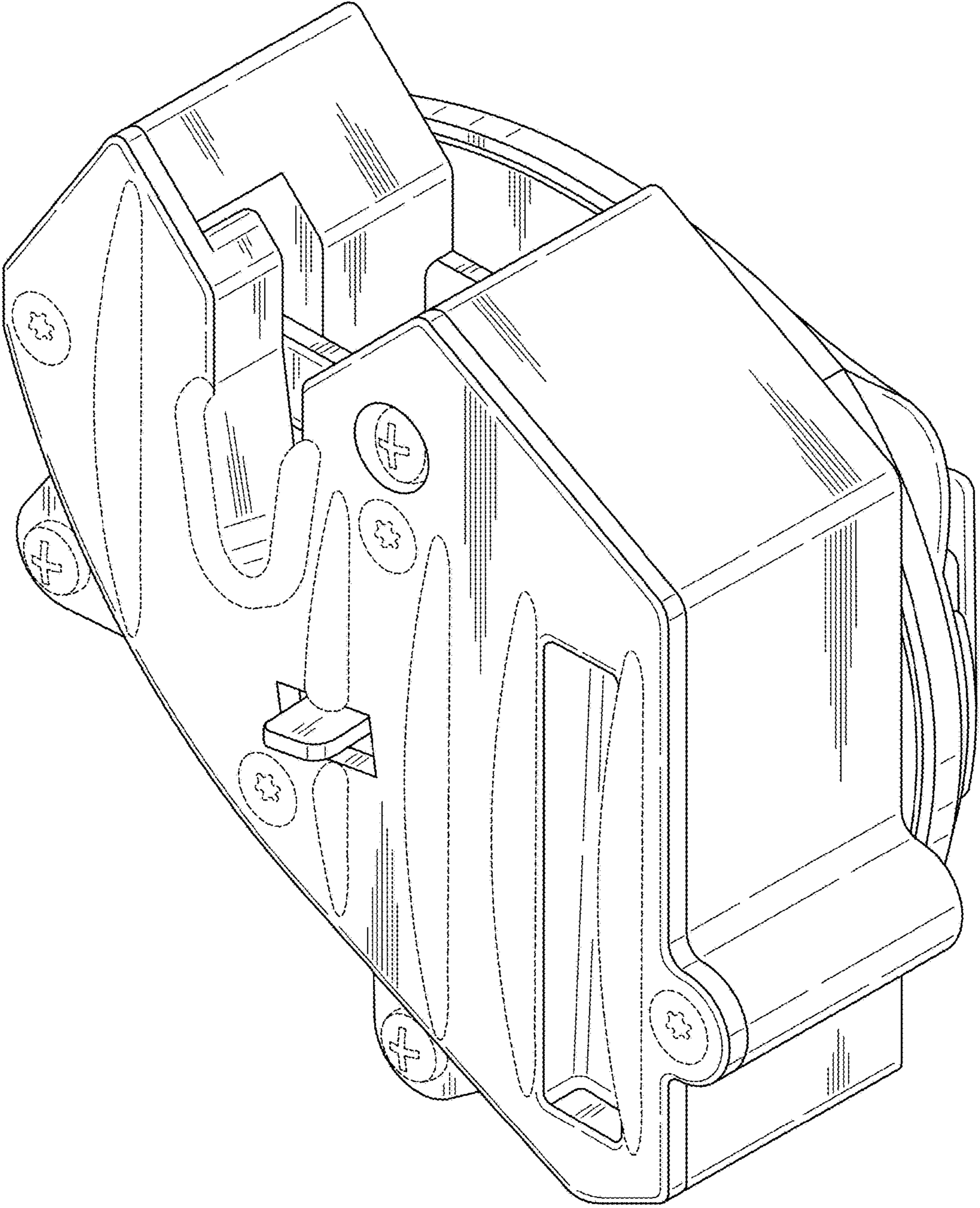


FIG. 3

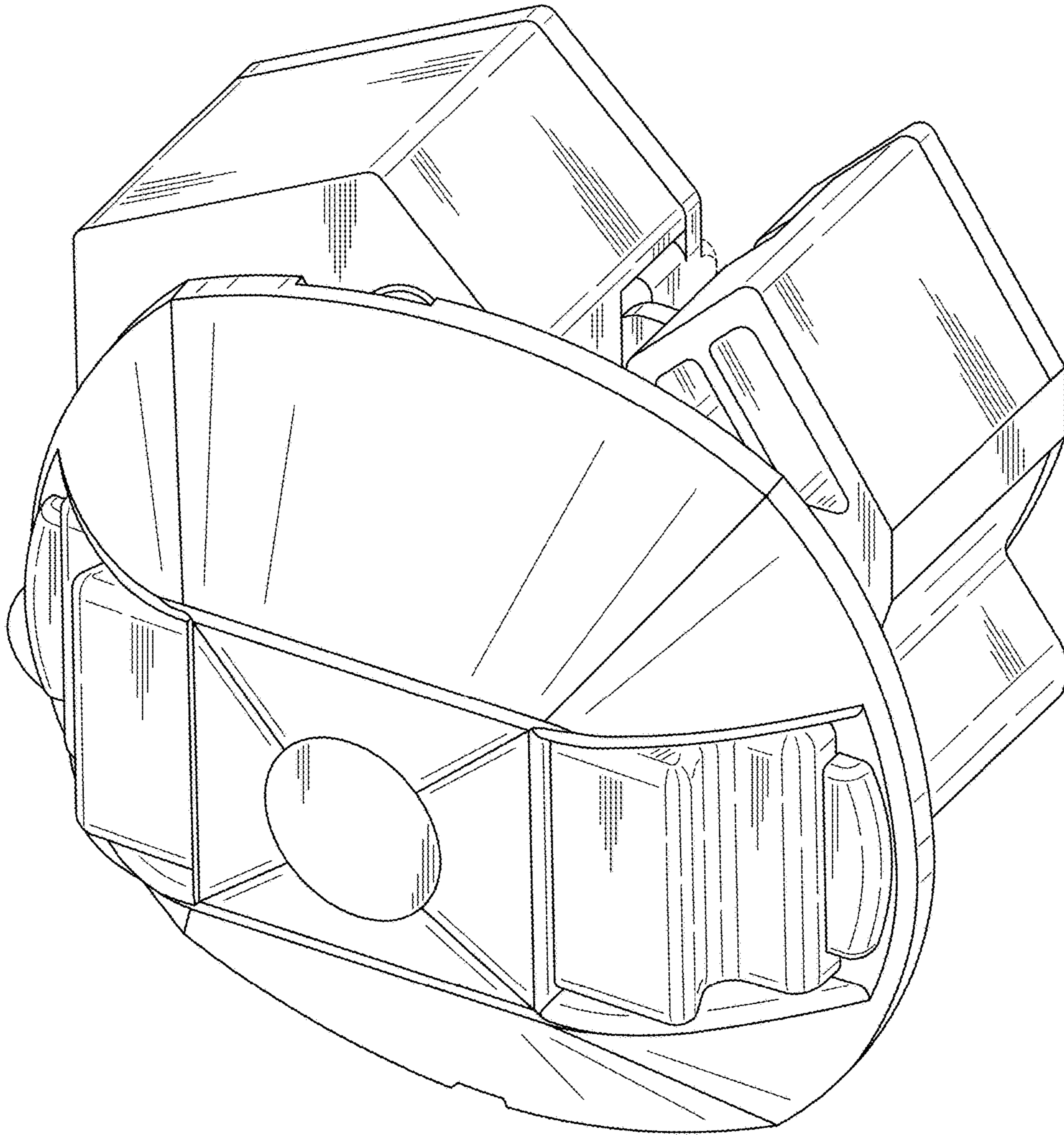


FIG. 4

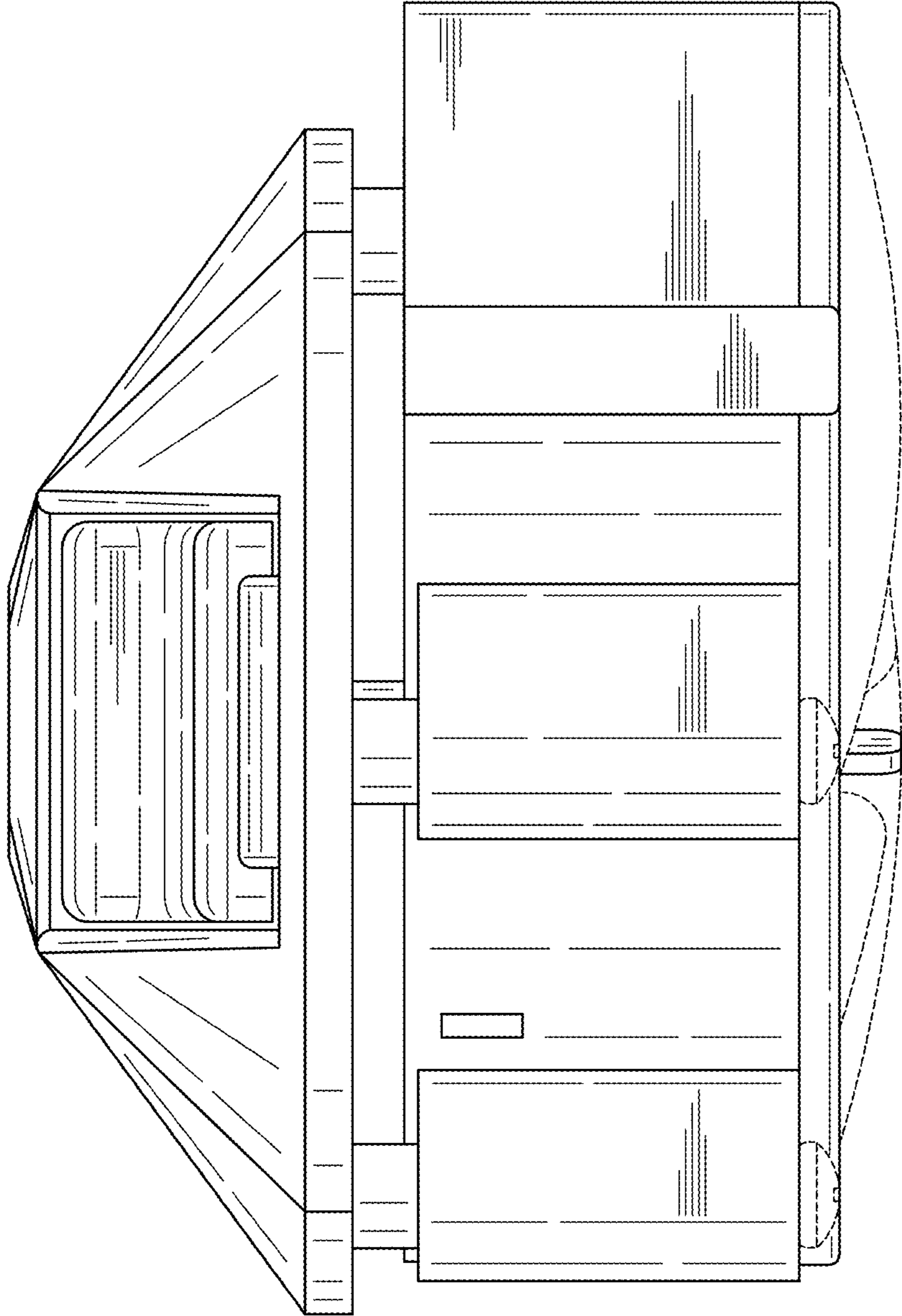


FIG. 5

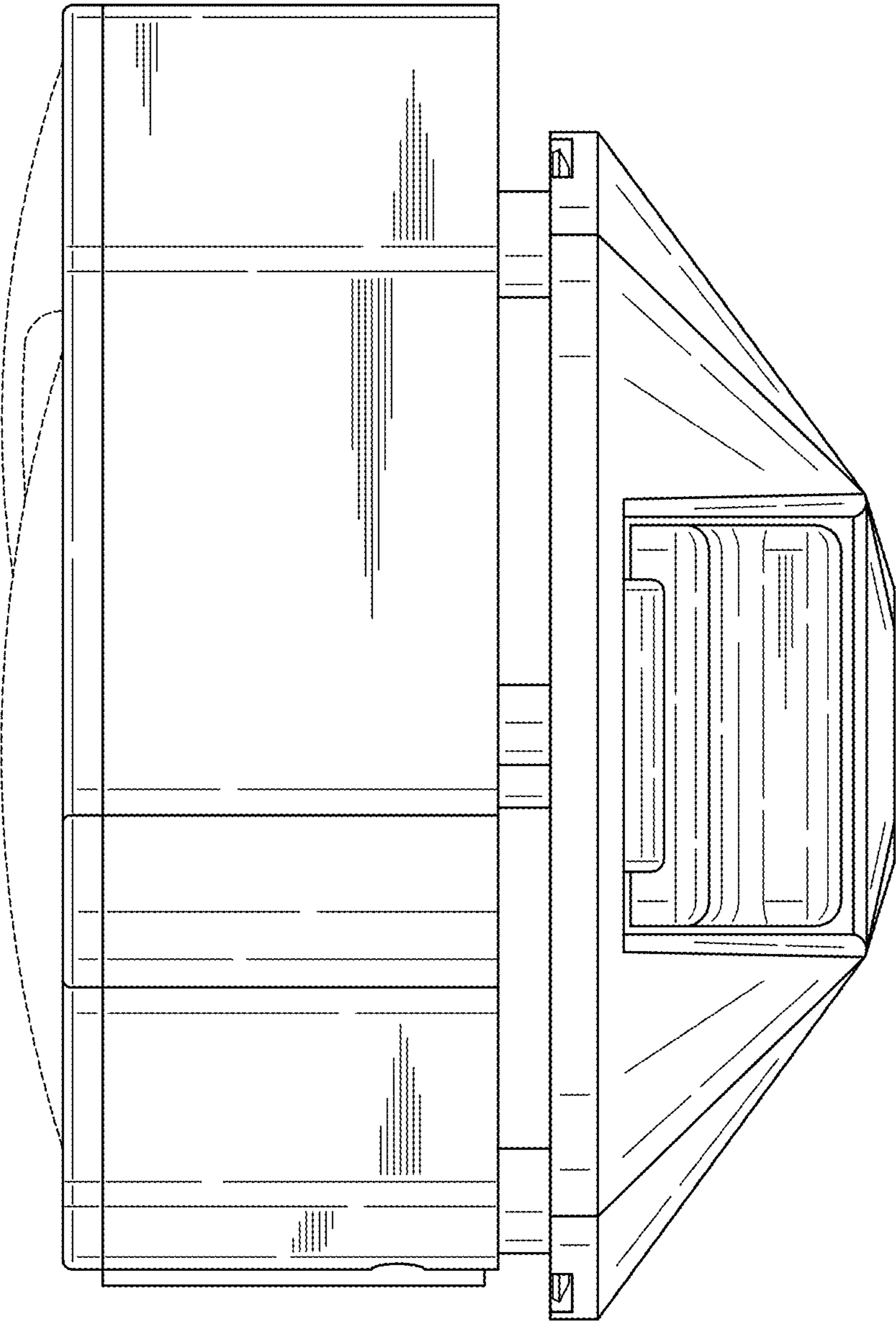


FIG. 6

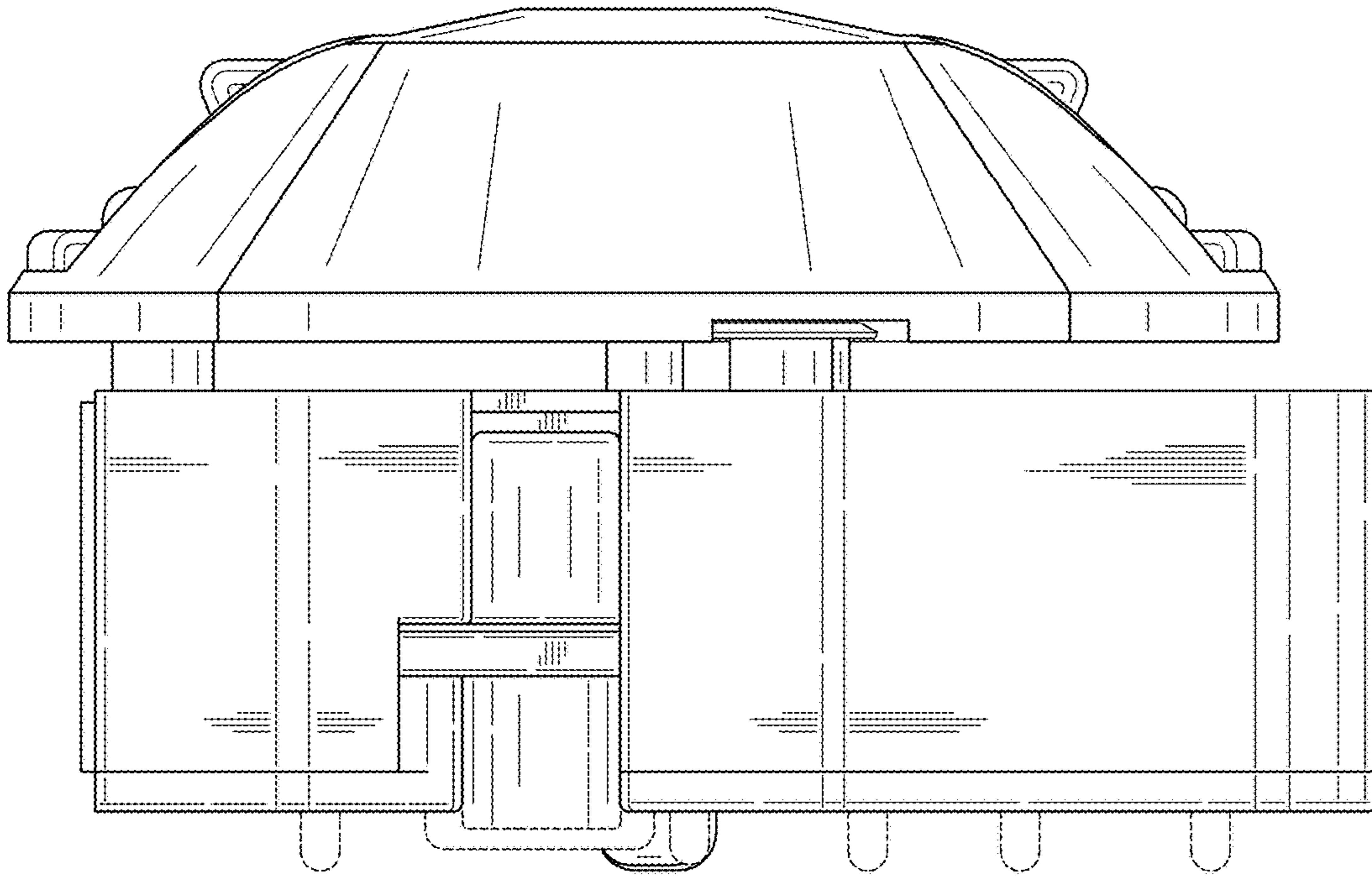


FIG. 7

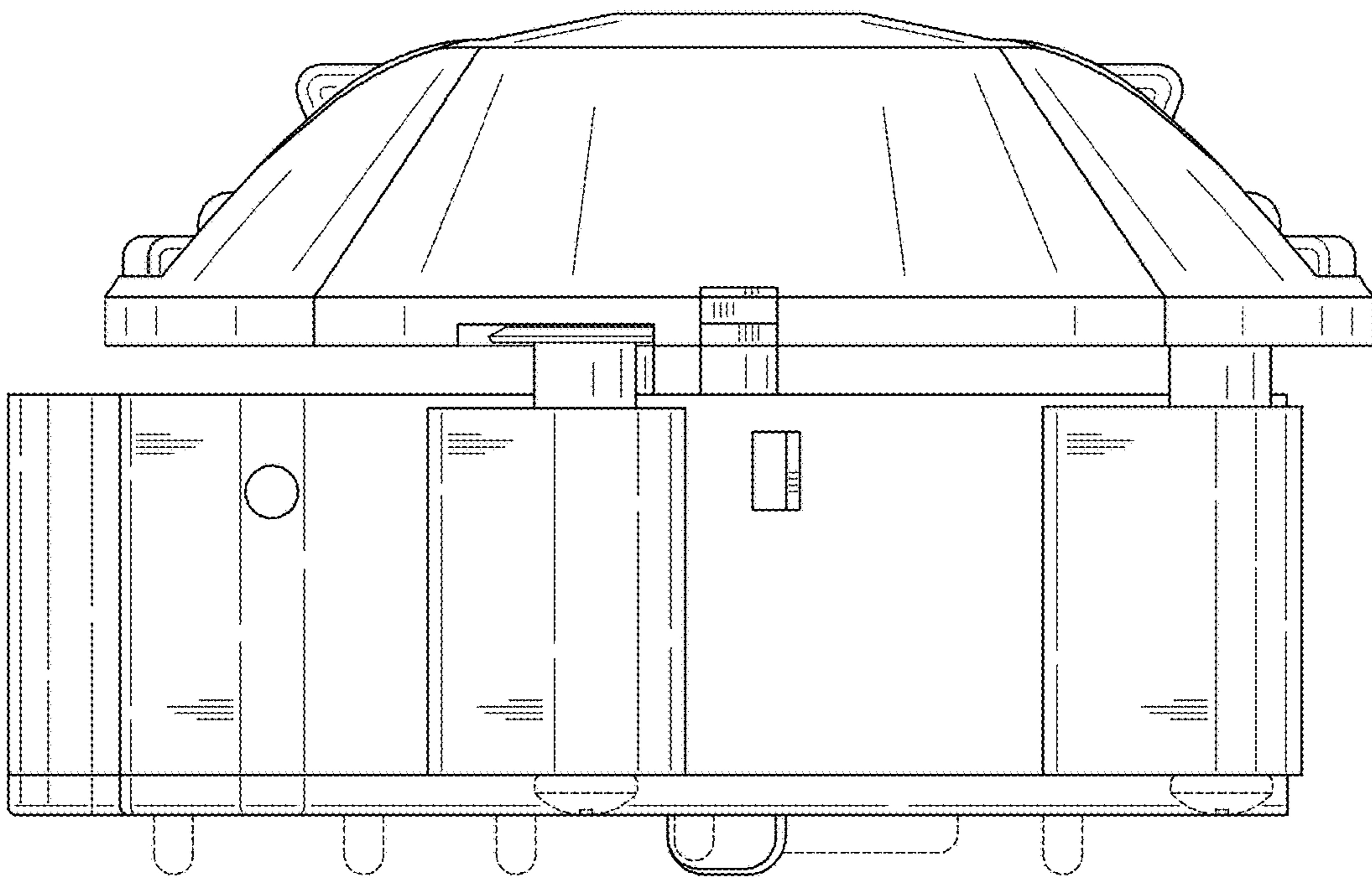


FIG. 8

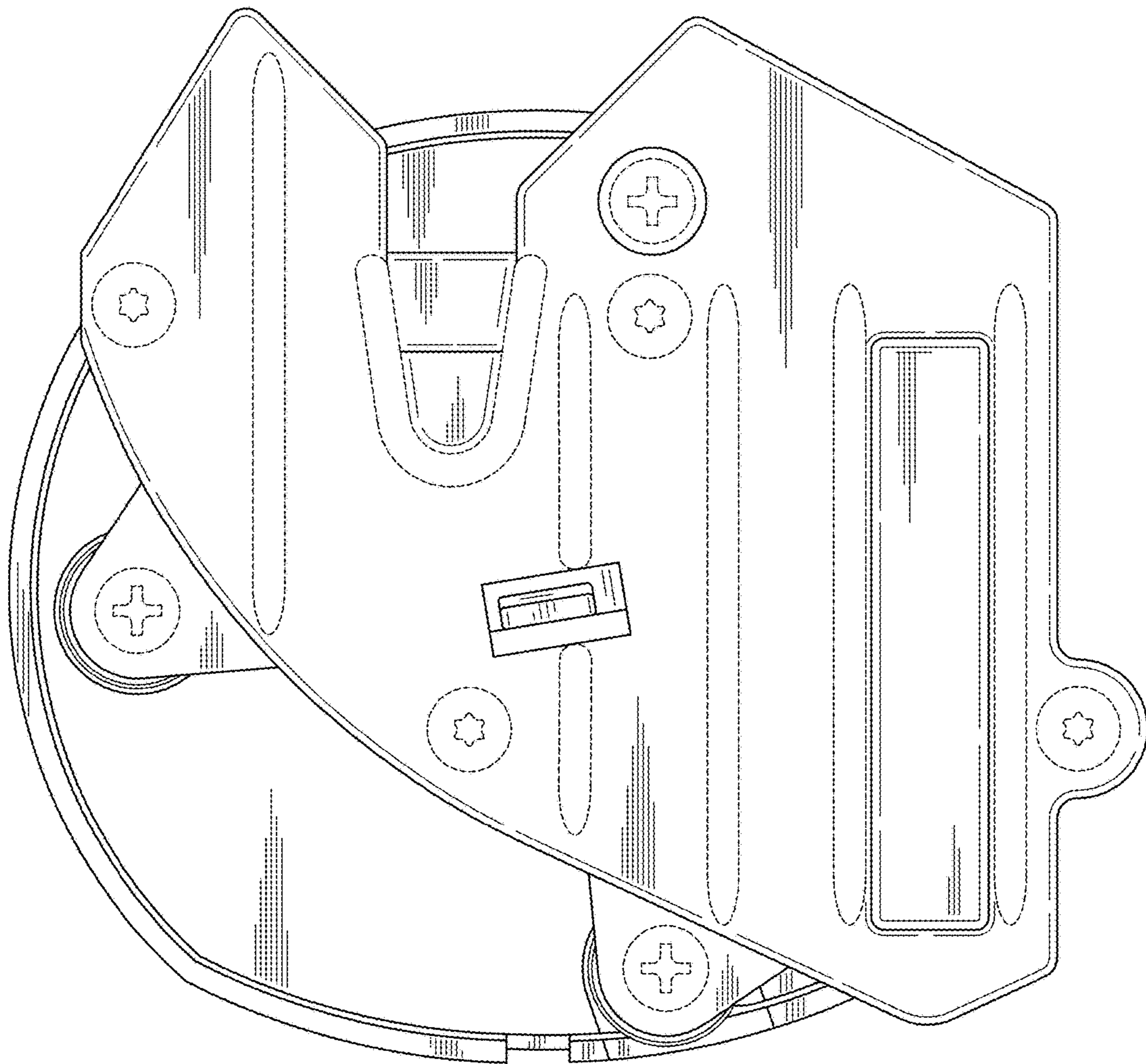


FIG. 9

