



US00D839072S

(12) **United States Design Patent** (10) **Patent No.:** **US D839,072 S**
Hung (45) **Date of Patent:** **** Jan. 29, 2019**

(54) **NAIL PULLER**
 (71) Applicant: **LU KANG HAND TOOLS INDUSTRIAL CO., LTD.**, Chunghua Hsien (TW)
 (72) Inventor: **Yi-Kung Hung**, Chunghua Hsien (TW)
 (73) Assignee: **LU KANG HAND TOOLS INDUSTRIAL CO., LTD.**, Chunghua Hsien (TW)
 (**) Term: **15 Years**

D579,292 S * 10/2008 Hanlon B25F 1/00 D8/27
 8,177,191 B2 * 5/2012 Liou B25F 1/00 254/115
 D737,650 S * 9/2015 Allen B66F 15/00 D8/105
 D752,940 S * 4/2016 Deng D8/81
 9,415,495 B1 * 8/2016 Spaulding B25C 11/00
 D821,841 S * 7/2018 Honadel D8/81
 2012/0110745 A1 * 5/2012 Hanlon B25C 11/00 7/138
 2015/0014612 A1 * 1/2015 Liou B25C 11/00 254/26 R
 2015/0158163 A1 * 6/2015 Chen B25C 11/00 254/25

(21) Appl. No.: **29/609,181**
 (22) Filed: **Jun. 28, 2017**
 (51) **LOC (11) Cl.** **08-05**
 (52) **U.S. Cl.**
 USPC **D8/89**
 (58) **Field of Classification Search**
 USPC D8/14, 75, 78, 81, 88, 89, 105
 CPC ... B25F 1/00; B25C 11/00; B25D 1/04; B66F 15/00
 See application file for complete search history.

* cited by examiner

Primary Examiner — Philip S Hyder
 (74) *Attorney, Agent, or Firm* — Pai Patent & Trademark Law Firm; Chao-Chang David Pai

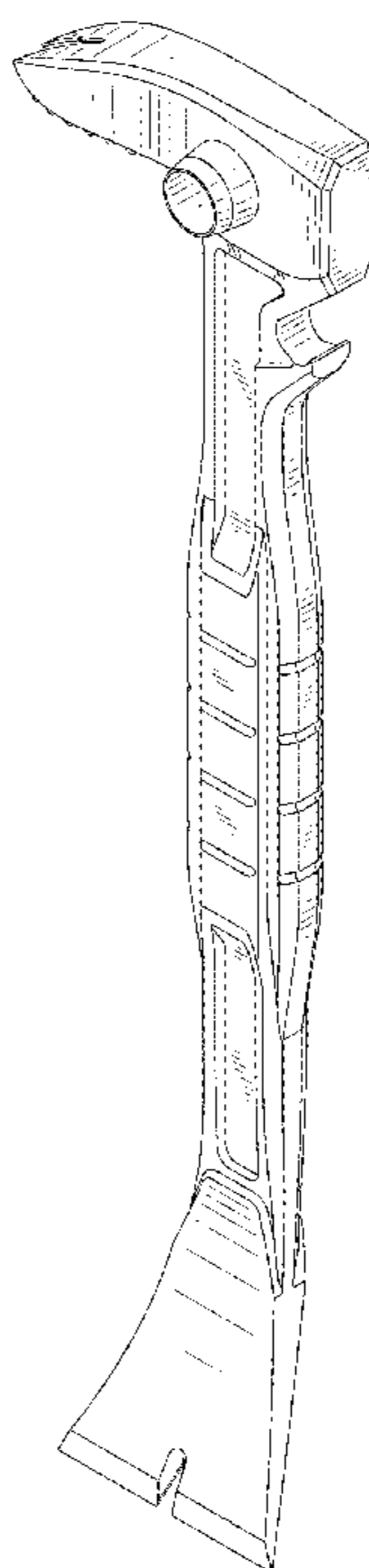
(56) **References Cited**
 U.S. PATENT DOCUMENTS
 D164,705 S * 10/1951 Moses 254/131
 6,629,684 B2 * 10/2003 Youngren B25C 11/00 254/18
 D498,402 S * 11/2004 Hung D8/75
 D499,322 S * 12/2004 Hung D8/75
 D577,274 S * 9/2008 Chen D8/81
 D577,978 S * 10/2008 Chen D8/81

(57) **CLAIM**
 The ornamental design for a nail puller, as shown.

DESCRIPTION

FIG. 1 is a front perspective view of a nail puller, showing my new design;
 FIG. 2 is a rear perspective view thereof;
 FIG. 3 is a front view thereof;
 FIG. 4 is a rear view thereof;
 FIG. 5 is a left side view thereof;
 FIG. 6 is a right side view thereof;
 FIG. 7 is a top view thereof; and,
 FIG. 8 is a bottom view thereof.

1 Claim, 8 Drawing Sheets



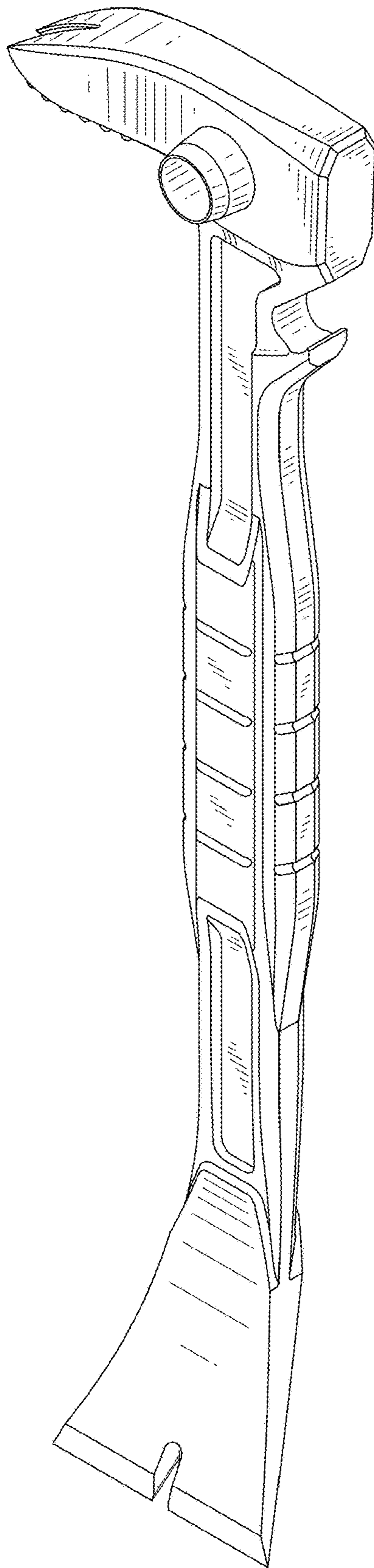


FIG.1

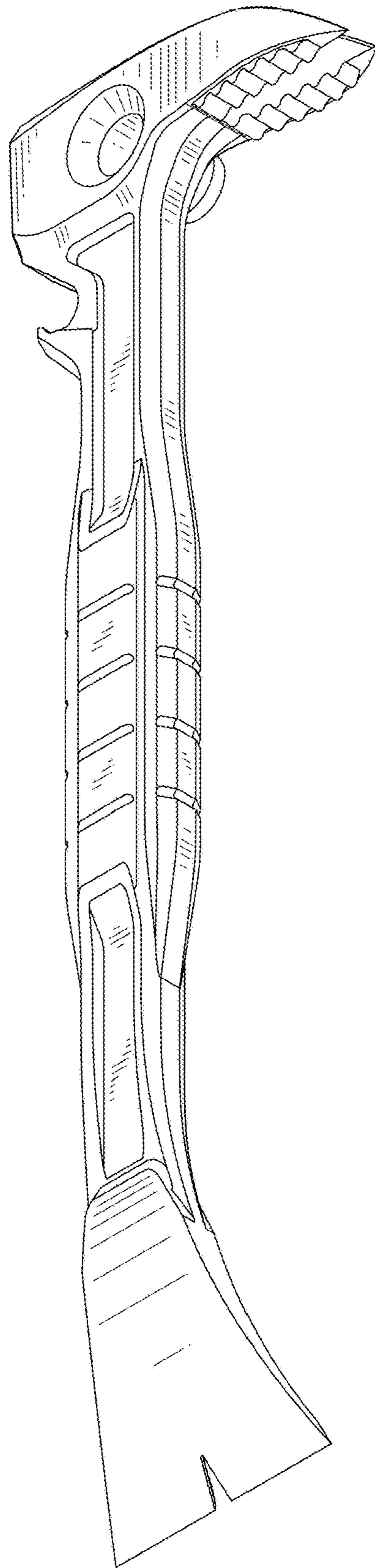


FIG.2

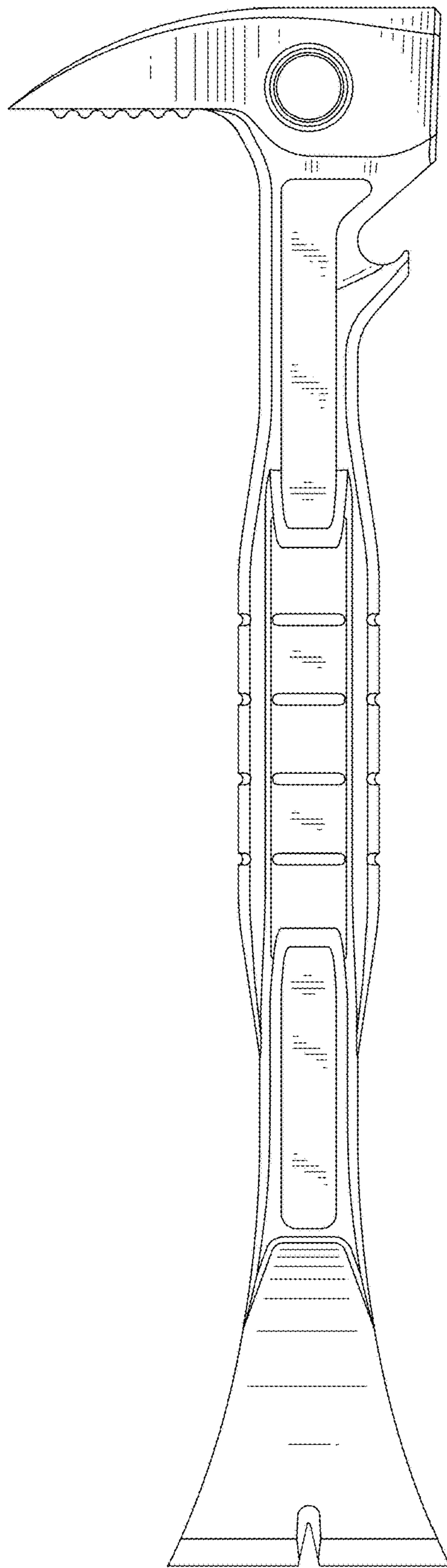


FIG.3

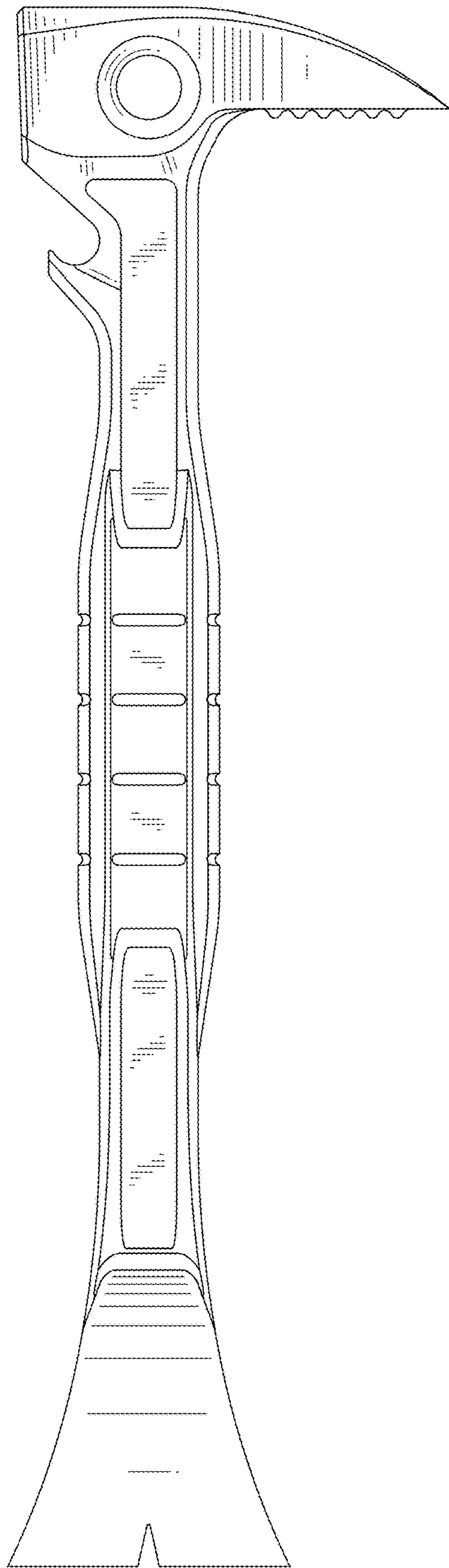


FIG.4

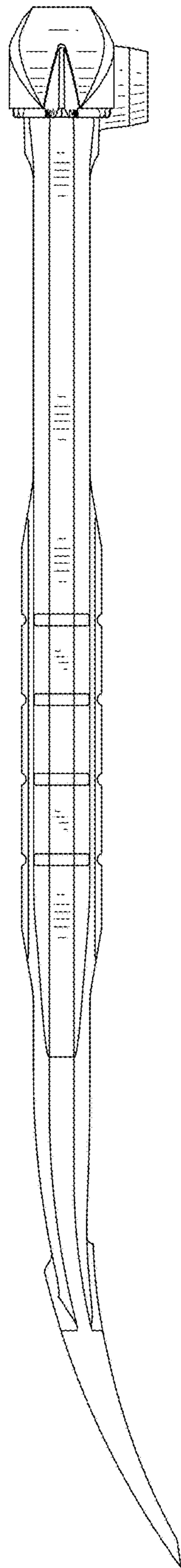


FIG.5

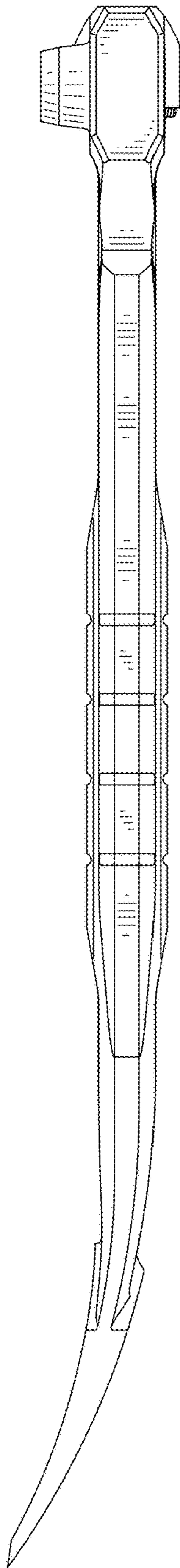


FIG.6

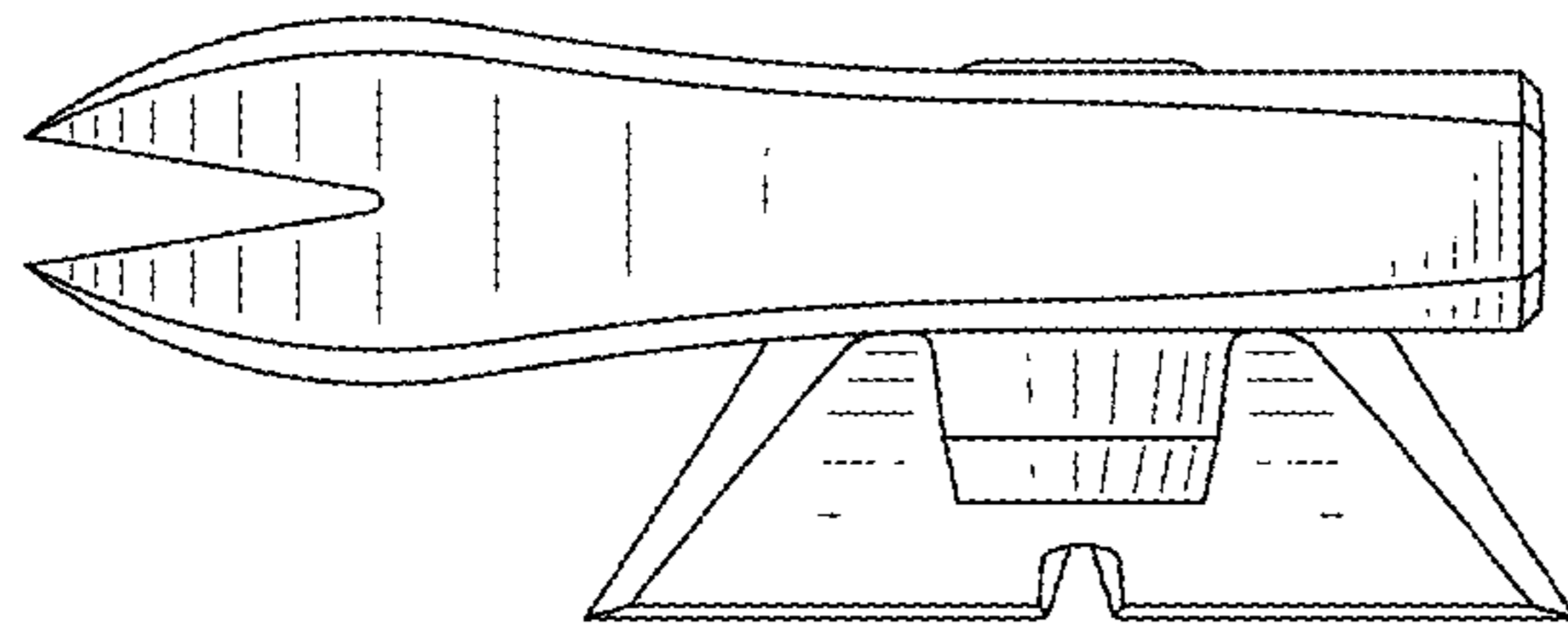


FIG.7

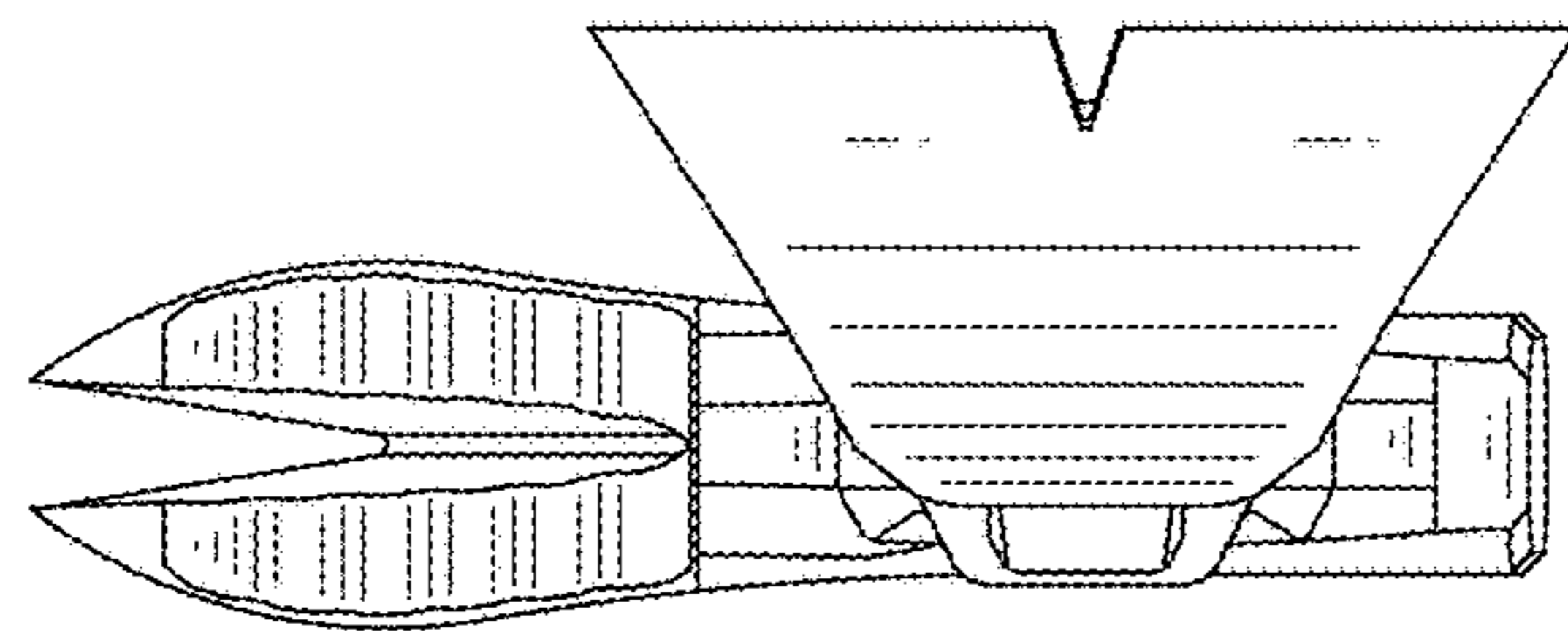


FIG.8