



US00D839071S

(12) **United States Design Patent**  
**Tang**

(10) **Patent No.:** **US D839,071 S**

(45) **Date of Patent:** **\*\* Jan. 29, 2019**

(54) **SCREWDRIVER HOLDER**  
(71) Applicant: **Zhejiang Feiling Tool Co., Ltd.**,  
Jiande, Zhejiang (CN)  
(72) Inventor: **Jianzhang Tang**, Jiande (CN)  
(73) Assignee: **ZHEJIANG FEILING TOOL CO., LTD.**,  
Jiande, Zhejiang (CN)  
(\*\*) Term: **15 Years**

D178,536 S \* 8/1956 Polan ..... 211/69  
2,789,700 A \* 4/1957 King ..... A47F 5/0062  
108/32  
D202,069 S \* 8/1965 Westberg ..... D15/140  
D208,376 S \* 8/1967 De Caccia ..... D15/140  
D269,196 S \* 5/1983 Appel ..... D21/522  
D277,019 S \* 1/1985 Appel ..... D21/522  
D295,704 S \* 5/1988 Despres ..... D6/682  
D296,630 S \* 7/1988 Renold ..... D6/675.3  
D325,849 S \* 5/1992 Melcher ..... D6/682.2  
D332,646 S \* 1/1993 Aker ..... D21/522  
D333,770 S \* 3/1993 Jureckson ..... D8/71  
D336,802 S \* 6/1993 Eidsmoe ..... D19/75

(Continued)

(21) Appl. No.: **29/574,008**

(22) Filed: **Aug. 11, 2016**

(30) **Foreign Application Priority Data**

Apr. 7, 2016 (CN) ..... 2016 3 0112106

(51) **LOC (11) Cl.** ..... **08-05**

(52) **U.S. Cl.**  
USPC ..... **D8/71**

(58) **Field of Classification Search**  
USPC ..... D8/71; D15/140; 206/349-350;  
408/72 R; D9/424, 456, 756, 758;  
D28/61; D6/682, 682.1, 682.4; D21/522,  
D21/532  
CPC . B25H 3/00; B25H 3/003; B25H 3/06; B25H  
1/12; B25B 47/00  
See application file for complete search history.

(56) **References Cited**

**U.S. PATENT DOCUMENTS**

D28,203 S \* 1/1898 Shelverton ..... D11/133  
2,430,166 A \* 11/1947 Fish ..... A47F 5/112  
211/126.16  
D154,913 S \* 8/1949 Fay ..... 211/74  
D157,024 S \* 1/1950 Bacco et al. .... D6/675.3  
D159,861 S \* 8/1950 Rothchild ..... D11/164  
D164,779 S \* 10/1951 Koenig ..... D24/185  
D174,673 S \* 5/1955 Caird ..... 131/241

**FOREIGN PATENT DOCUMENTS**

CA 2380645 A1 \* 2/2001 ..... B25H 3/003  
CN 301270043 S 6/2010

(Continued)

*Primary Examiner* — Shannon W Morgan

*Assistant Examiner* — Altaira J Swangin

(74) *Attorney, Agent, or Firm* — Muncy, Geissler, Olds & Lowe, P.C.

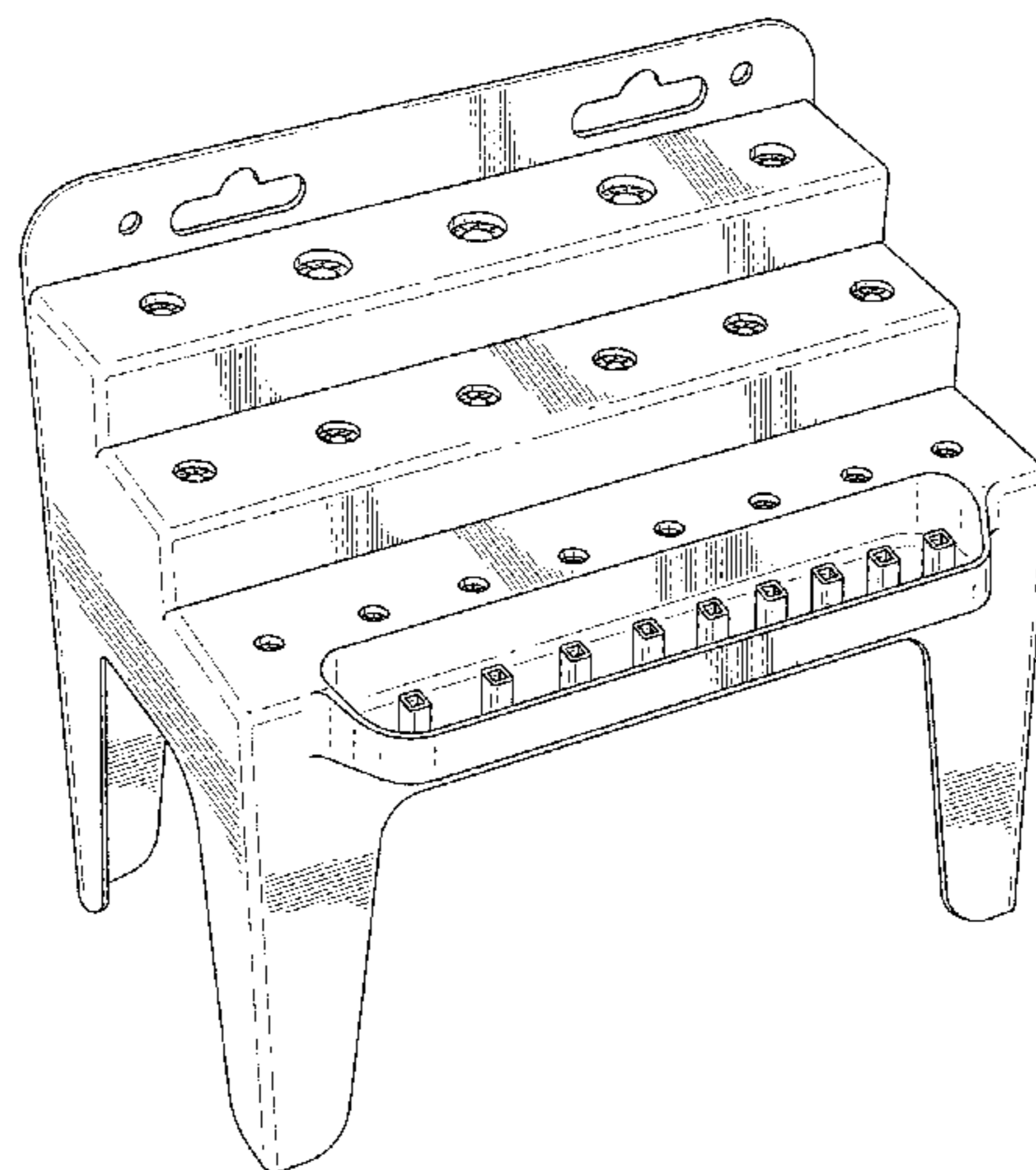
(57) **CLAIM**

The ornamental design for a screwdriver holder, as shown and described.

**DESCRIPTION**

FIG. 1 is a front perspective view of a screwdriver holder showing my new design;  
FIG. 2 is a front view thereof;  
FIG. 3 is a left side view thereof;  
FIG. 4 is a right side view thereof;  
FIG. 5 is a rear view thereof; and,  
FIG. 6 is a top plan view thereof.  
The broken lines, shown in FIG. 5, depict portions of the screwdriver holder that form no part of the claimed design.

**1 Claim, 6 Drawing Sheets**





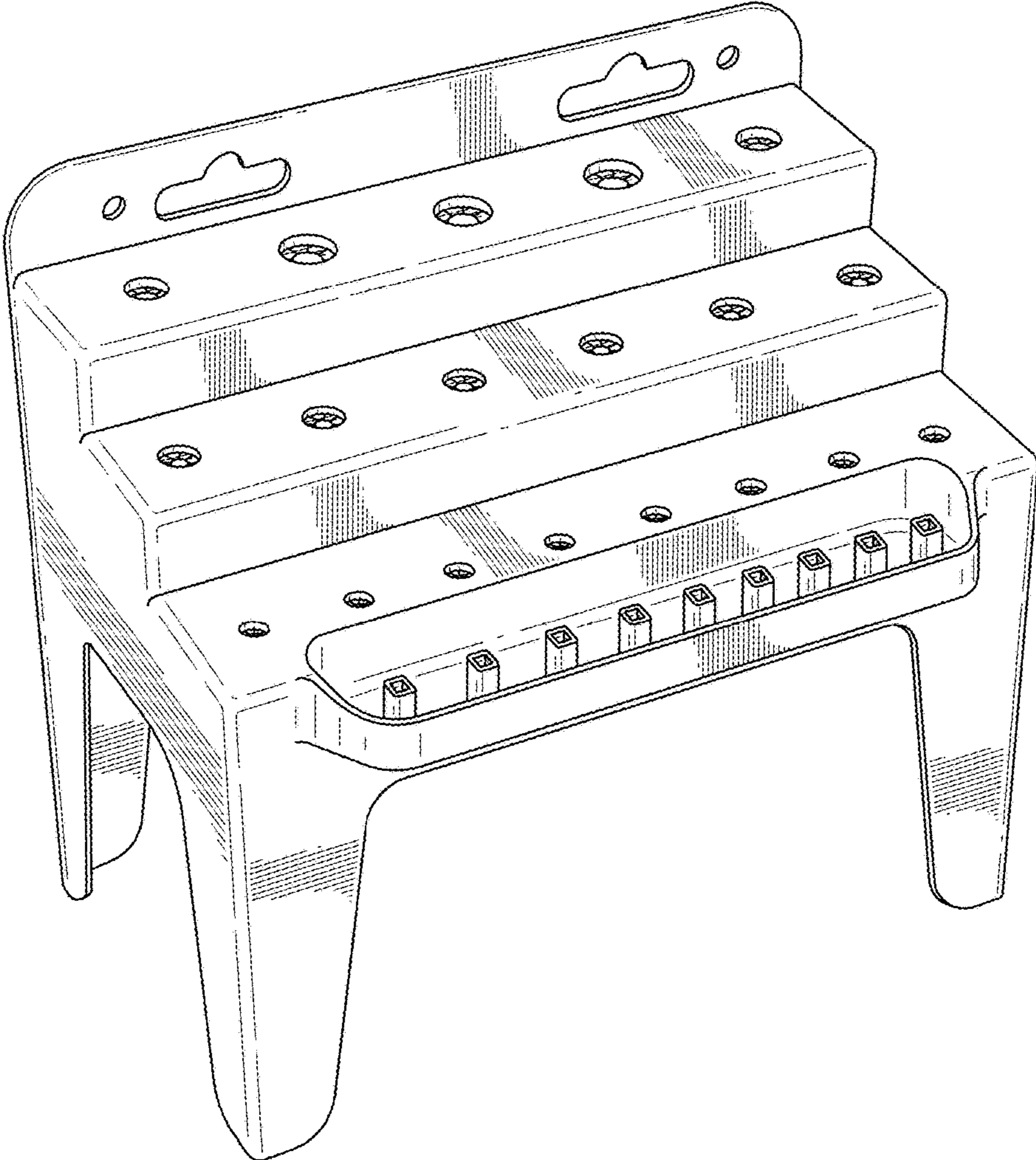


FIG.1

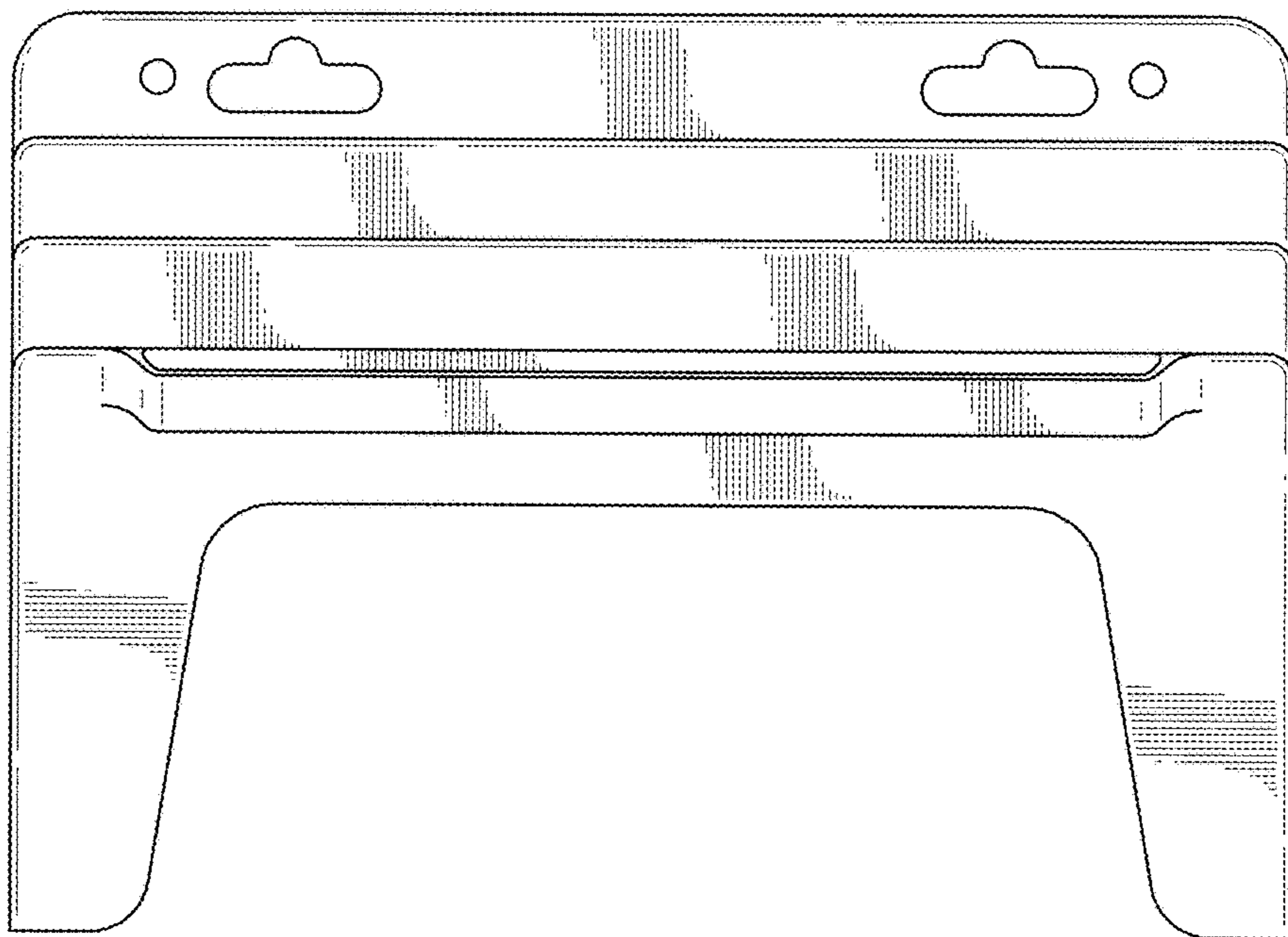


FIG. 2

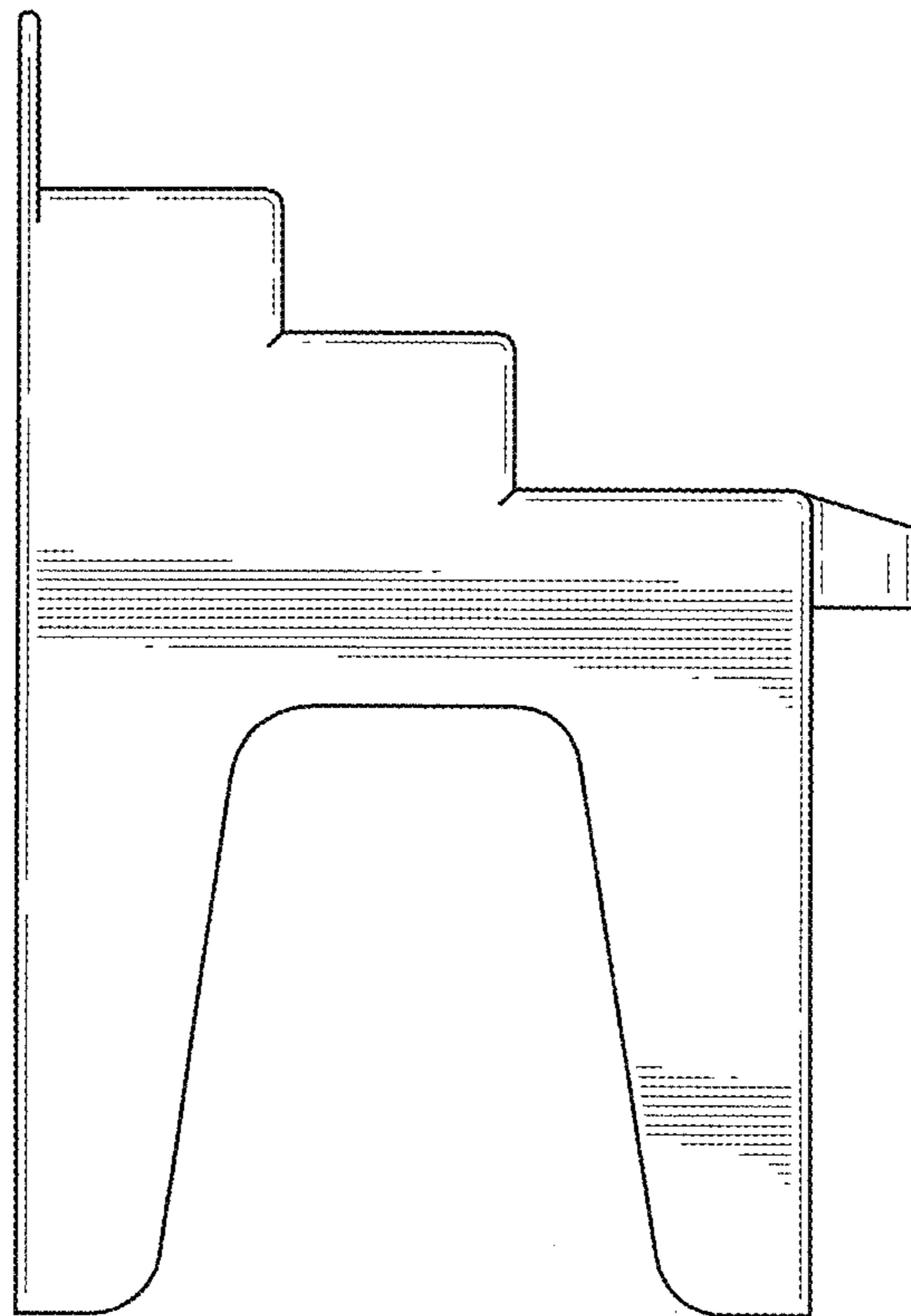


FIG.3

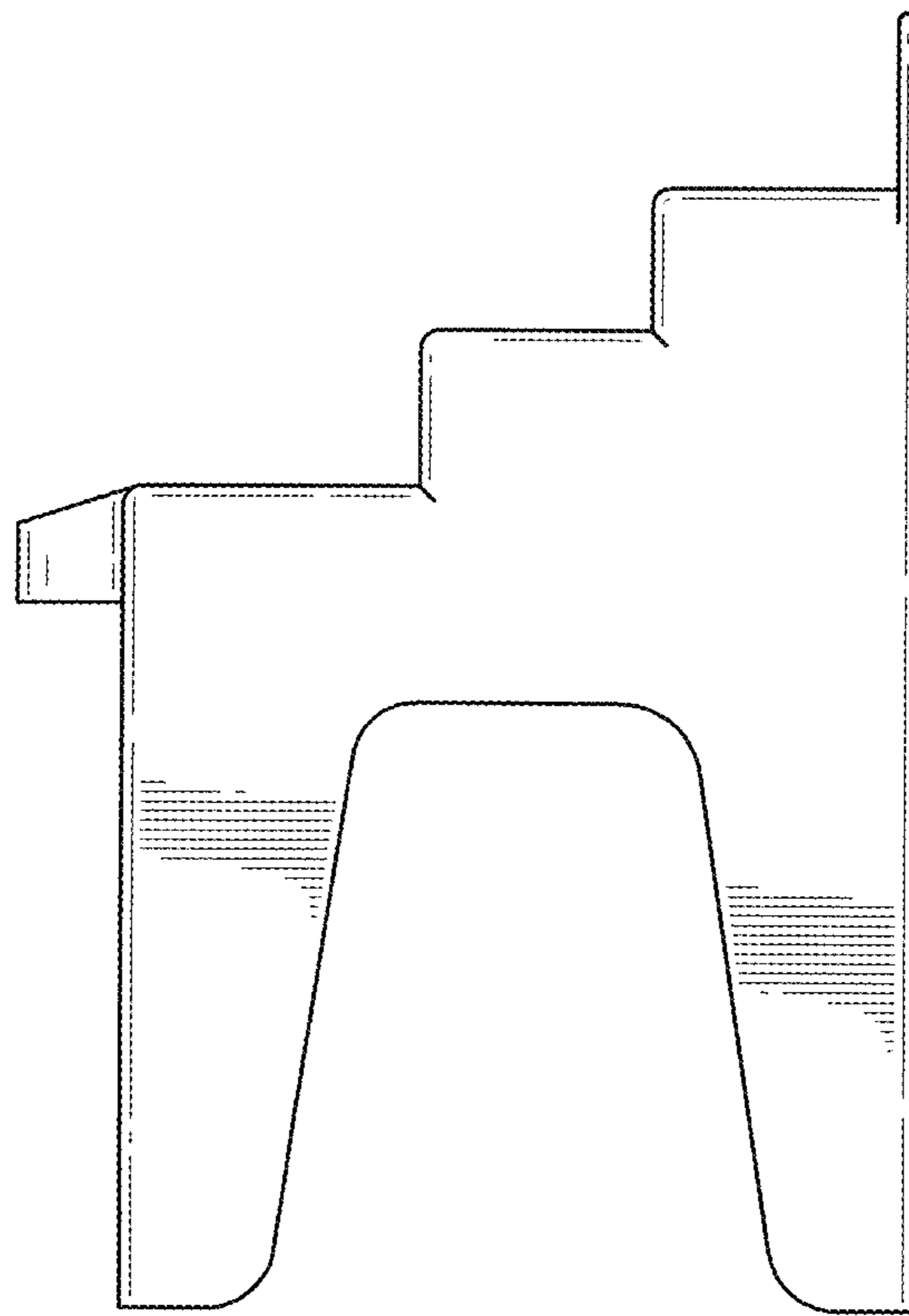


FIG.4

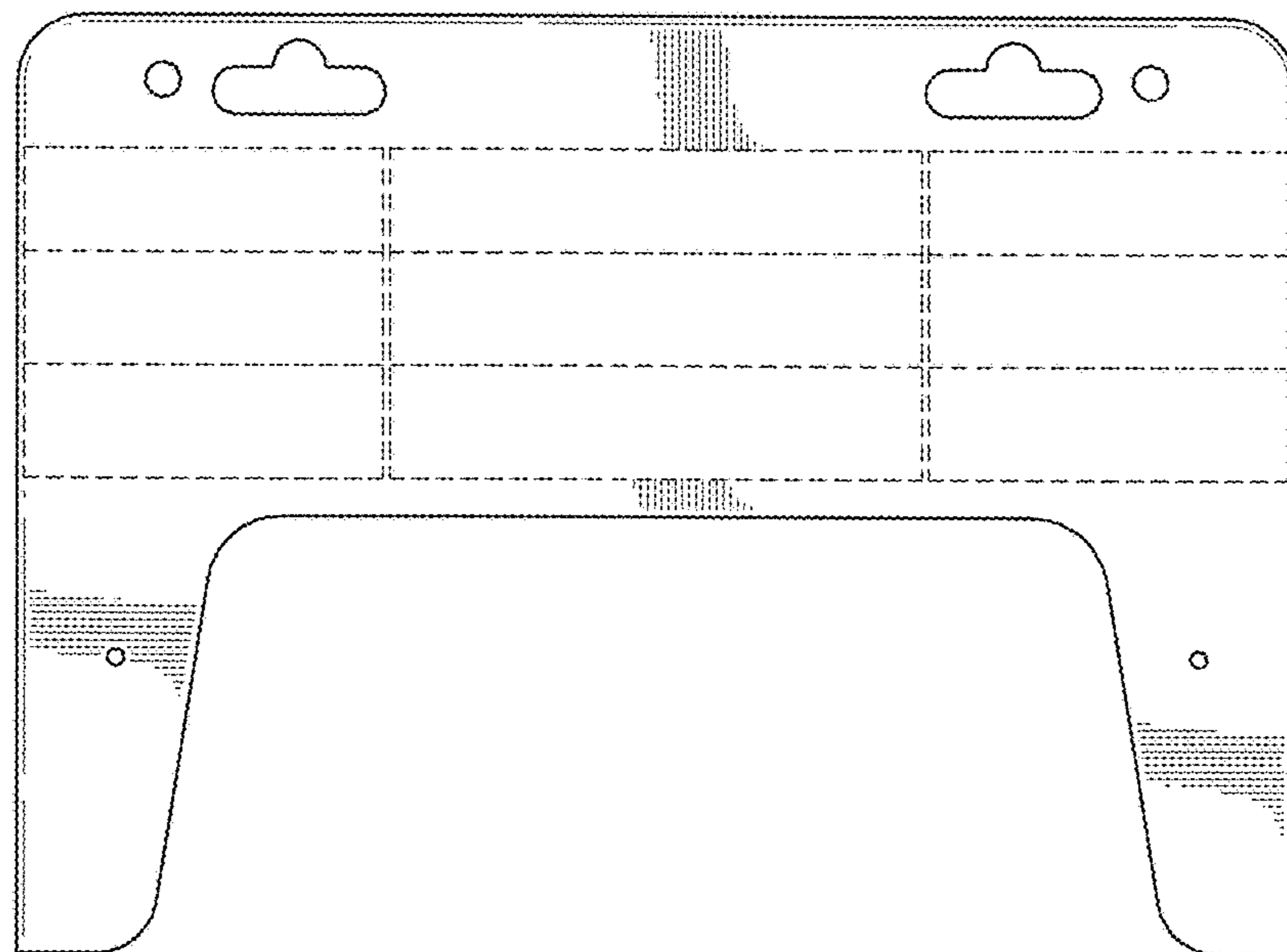


FIG.5

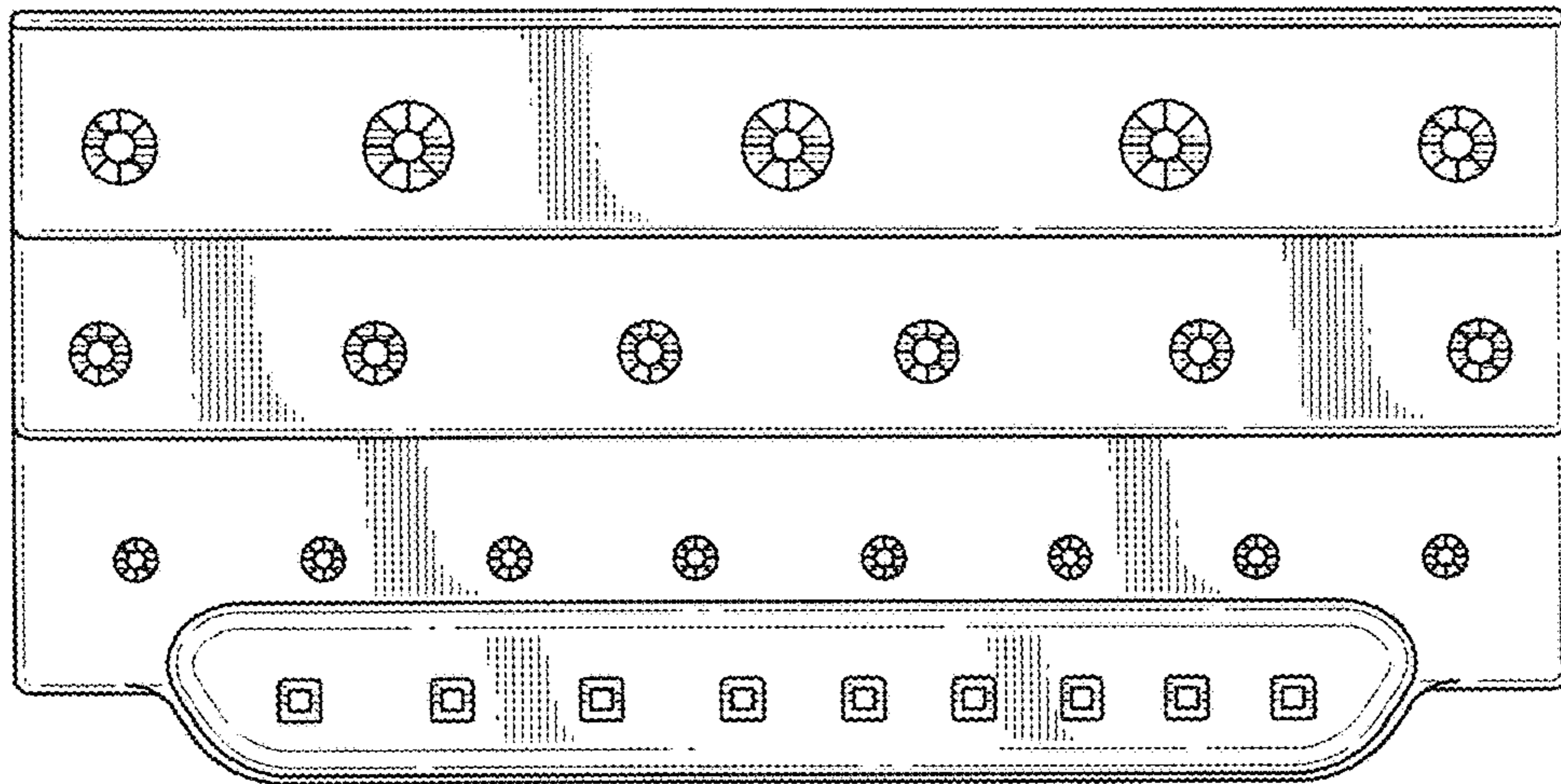


FIG.6