



US00D839070S

(12) **United States Design Patent**
Howell

(10) **Patent No.:** **US D839,070 S**
(45) **Date of Patent:** **** Jan. 29, 2019**

(54) **POWER TOOL**

(71) Applicant: **Harbor Freight Tools USA, INC.**,
Calabasas, CA (US)

(72) Inventor: **Jon Howell**, Agoura Hills, CA (US)

(73) Assignee: **Harbor Freight Tools USA, INC.**,
Calabasas, CA (US)

(**) Term: **15 Years**

(21) Appl. No.: **29/611,012**

(22) Filed: **Jul. 18, 2017**

(51) **LOC (11) Cl.** **08-05**

(52) **U.S. Cl.**
USPC **D8/70; D13/103**

(58) **Field of Classification Search**
USPC D8/68, 70; D13/102–107, 110, 118–122,
D13/184
CPC H02J 7/0045; H01R 31/06; H01M 2/1022
See application file for complete search history.

(56) **References Cited**

U.S. PATENT DOCUMENTS

D471,865 S *	3/2003	Garvis	D13/120
D501,823 S *	2/2005	Johnson	D13/107
7,659,694 B2 *	2/2010	Griffin	H01M 2/1022 320/112
D698,312 S *	1/2014	Miller	D13/119
D714,722 S *	10/2014	Miller	D13/107
D748,577 S *	2/2016	Marino	D13/118
D754,510 S *	4/2016	Marino	D13/103

D770,377 S *	11/2016	Kondo	D13/103
D780,693 S *	3/2017	Altenburger	D13/120
D790,307 S *	6/2017	Marino	D8/70
D800,656 S *	10/2017	Marino	D13/119
2005/0153596 A1 *	7/2005	VanWambeke	B25F 5/02 439/500

* cited by examiner

Primary Examiner — Darlington Ly

(74) *Attorney, Agent, or Firm* — McAndrews Held & Malloy, Ltd.

(57) **CLAIM**

The ornamental design for a power tool, as shown and described.

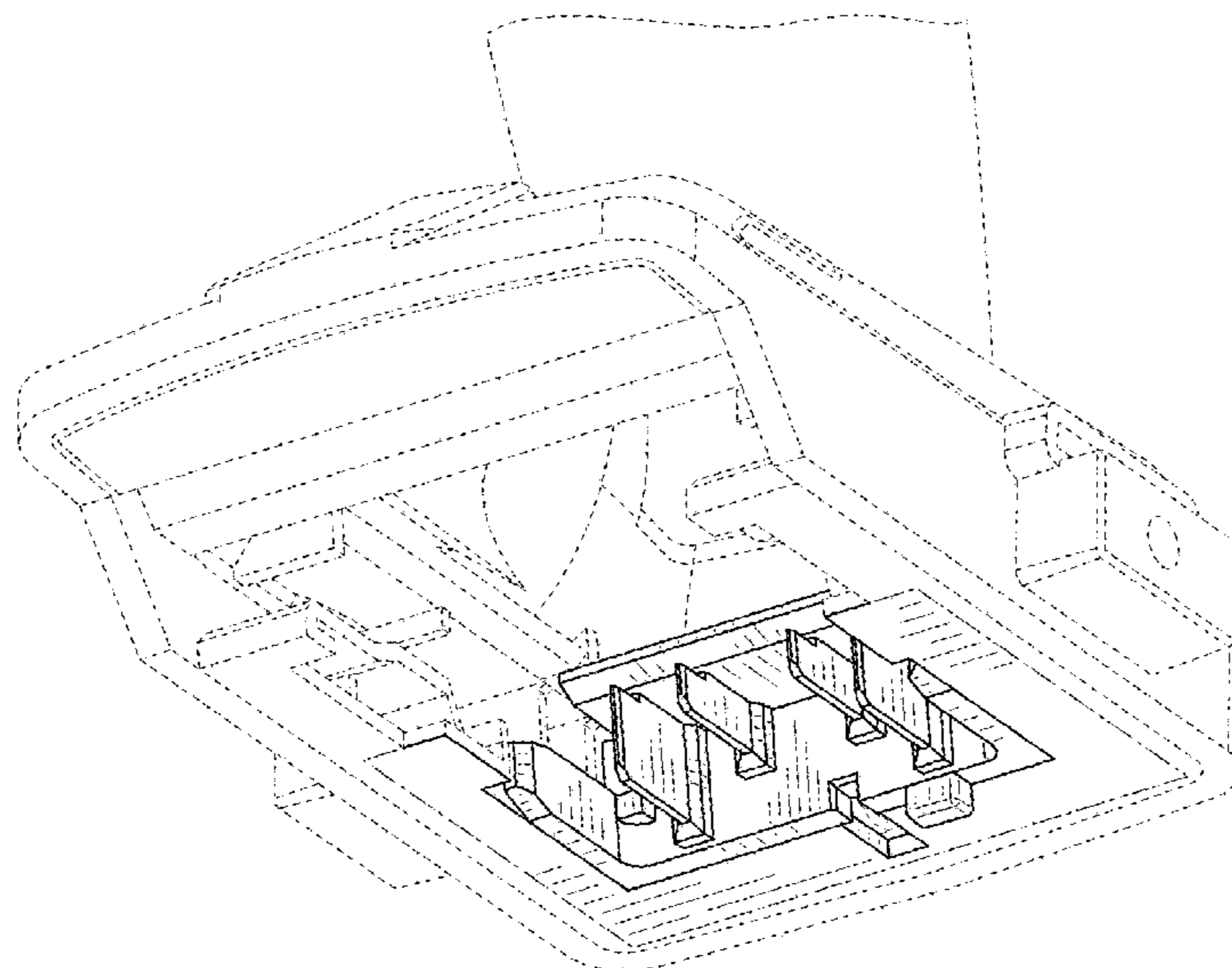
DESCRIPTION

FIG. 1 is a front-bottom perspective view of a power tool showing my new design; FIG. 2 is an enlarged front-bottom perspective view thereof; FIG. 3 is an enlarged front elevation view thereof; FIG. 4 is an enlarged rear elevation view thereof; FIG. 5 is an enlarged left side elevation view thereof; the right side elevation view being a mirror image thereof; FIG. 6 is an enlarged top plan view thereof; FIG. 7 is an enlarged bottom plan view thereof; and, FIG. 8 is a rear-bottom perspective view thereof.

The dashed broken lines in the figures represent environment and portions of the power tool that form no part of the claimed design.

The dot-dash broken lines in the figures represent a boundary line that forms no part of the claimed design.

1 Claim, 8 Drawing Sheets



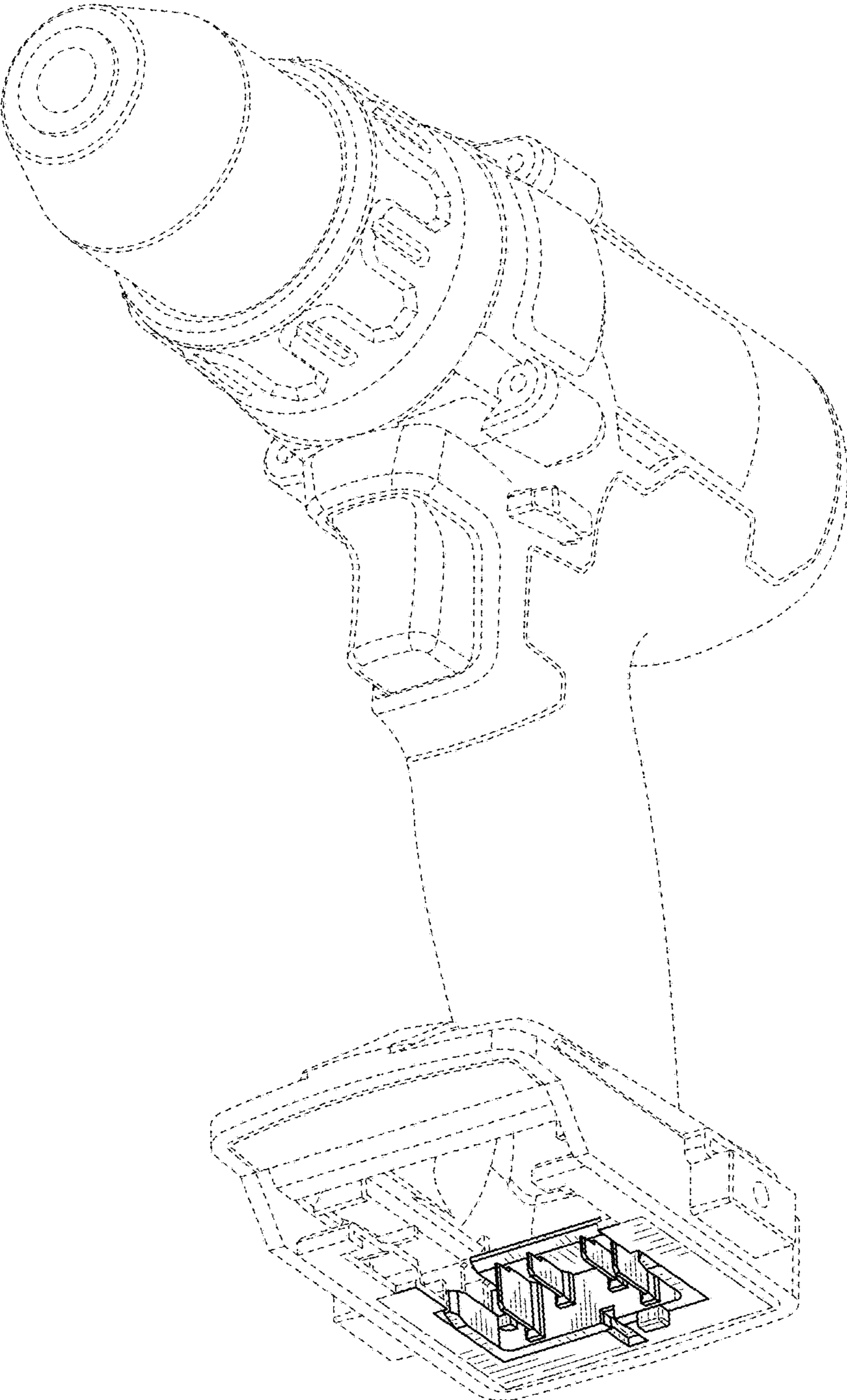


FIG. 1

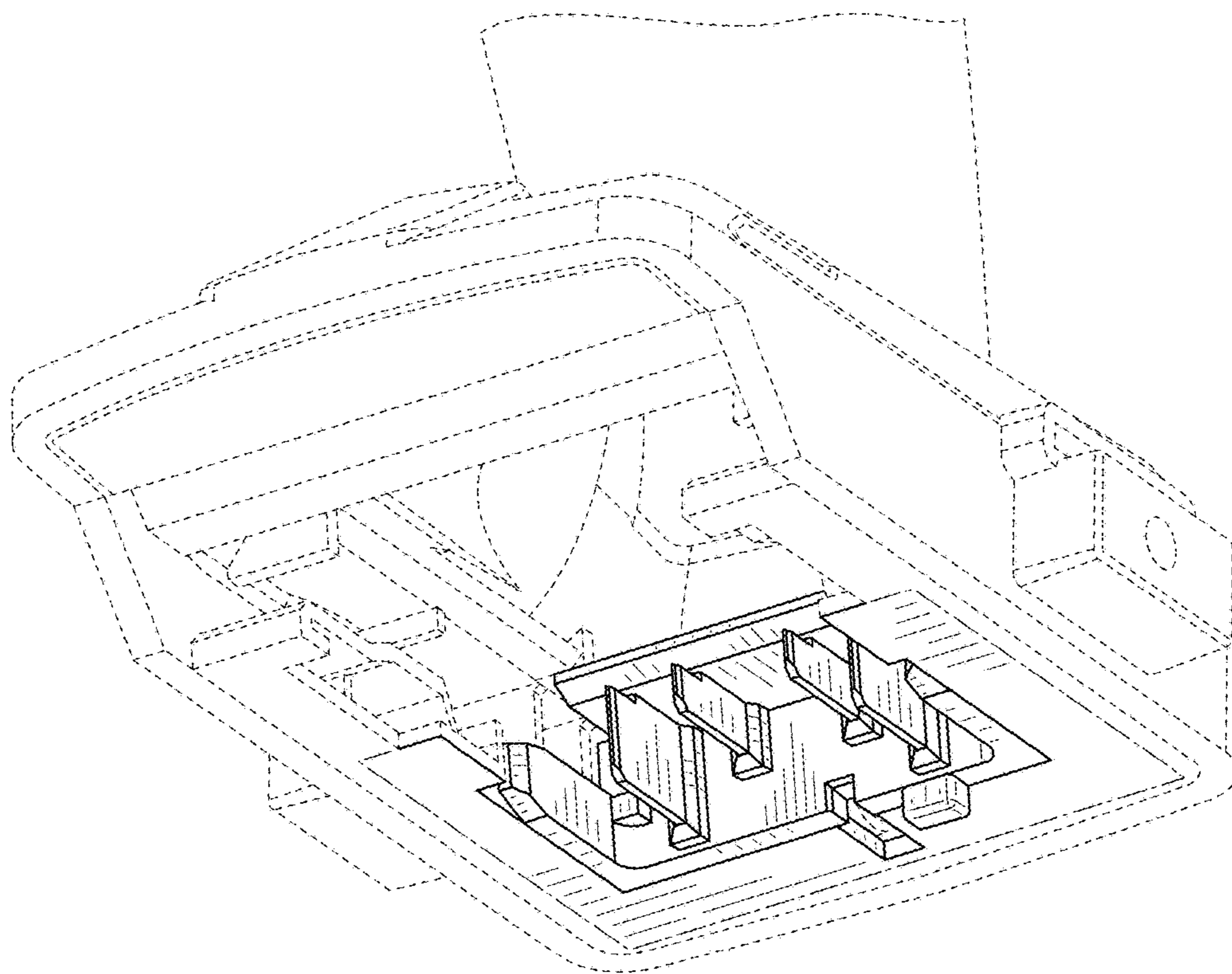


FIG. 2

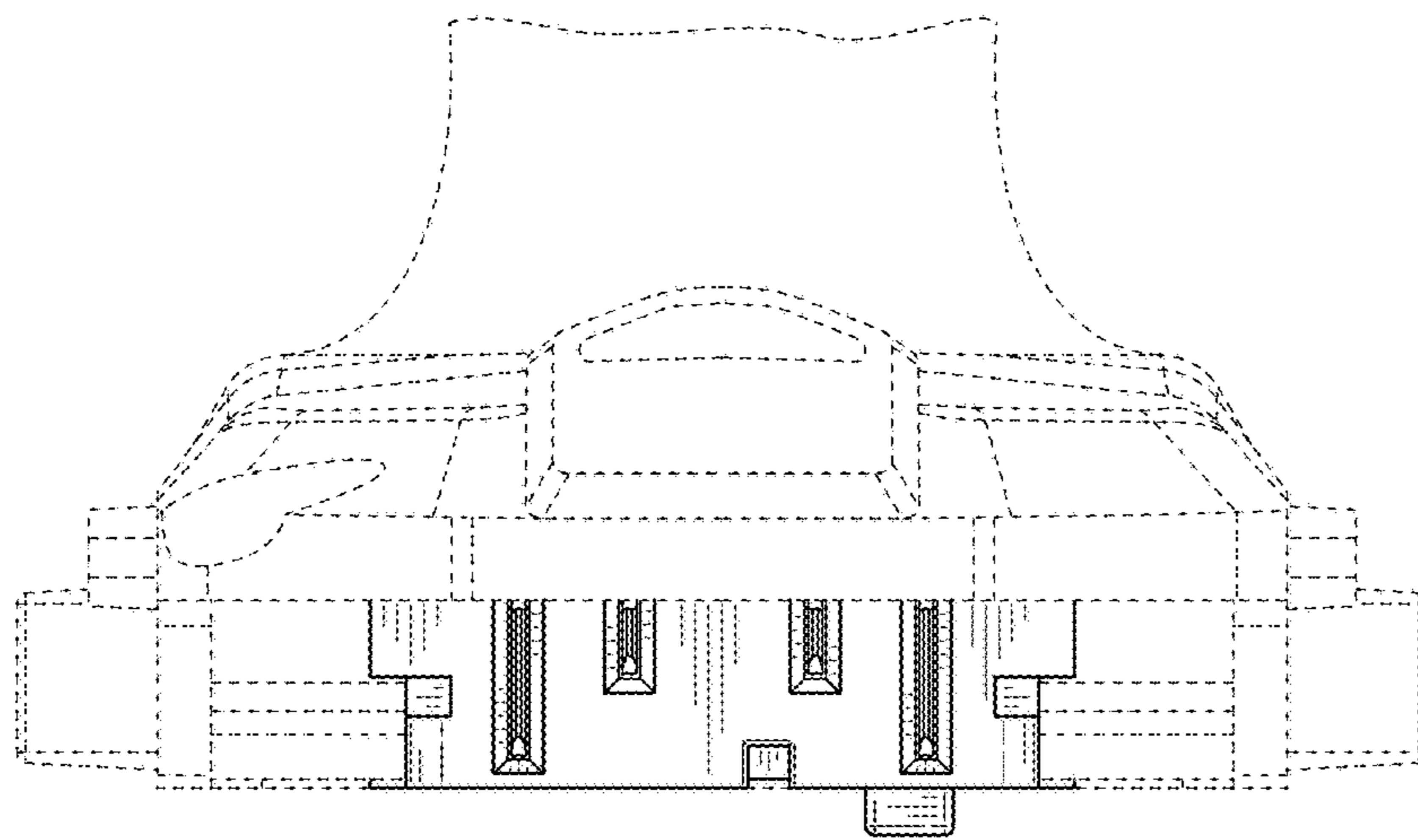


FIG. 3

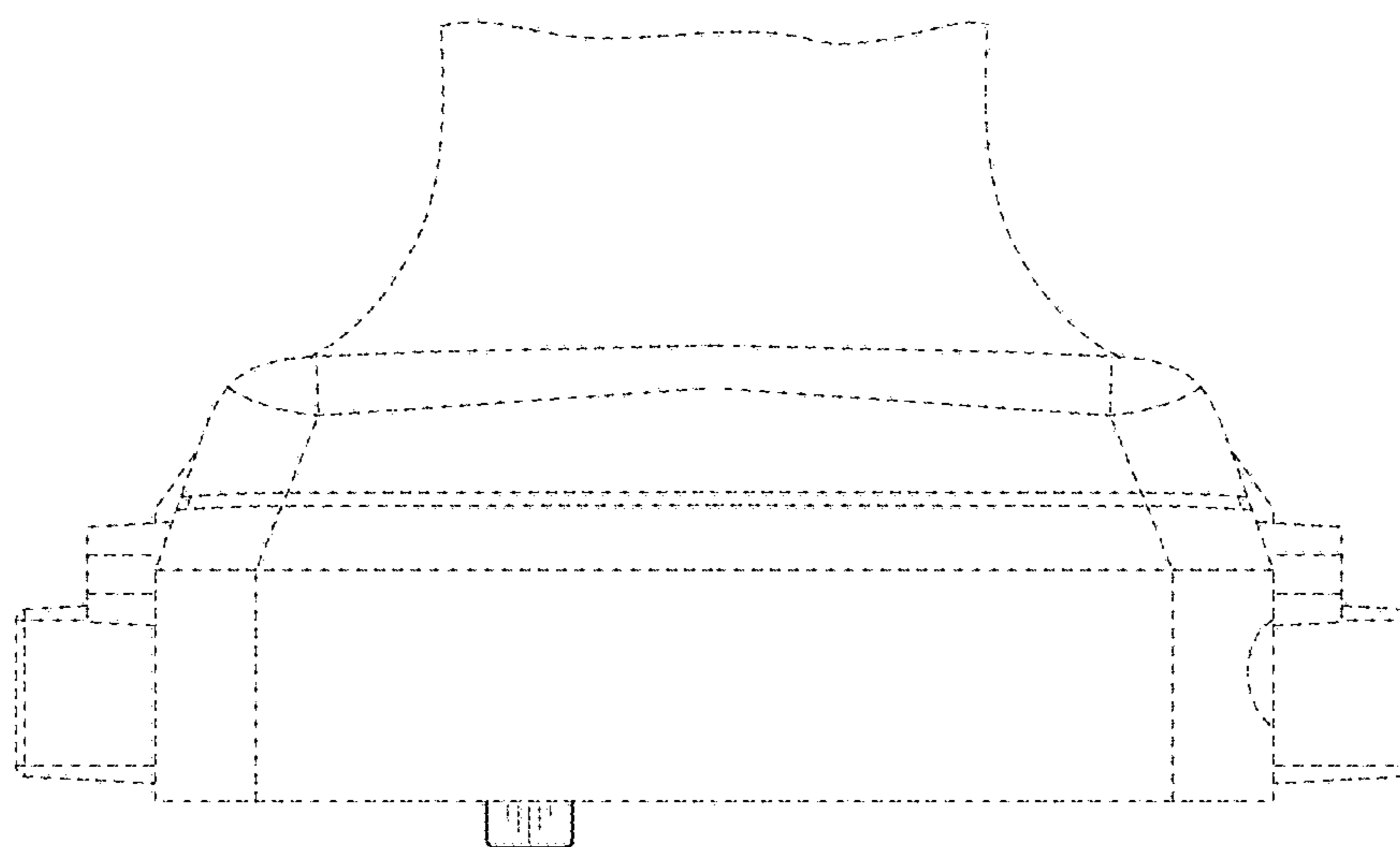


FIG. 4

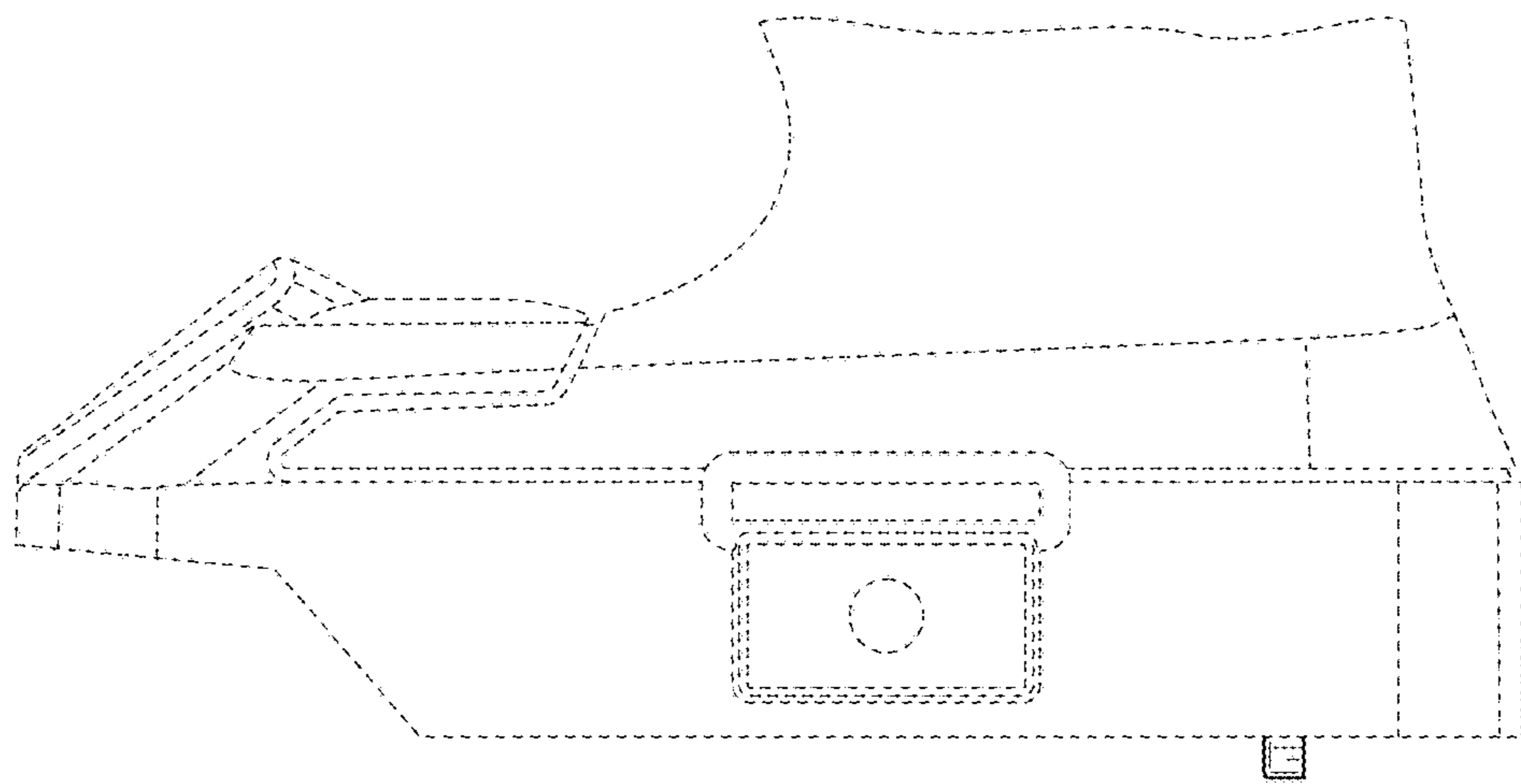


FIG. 5

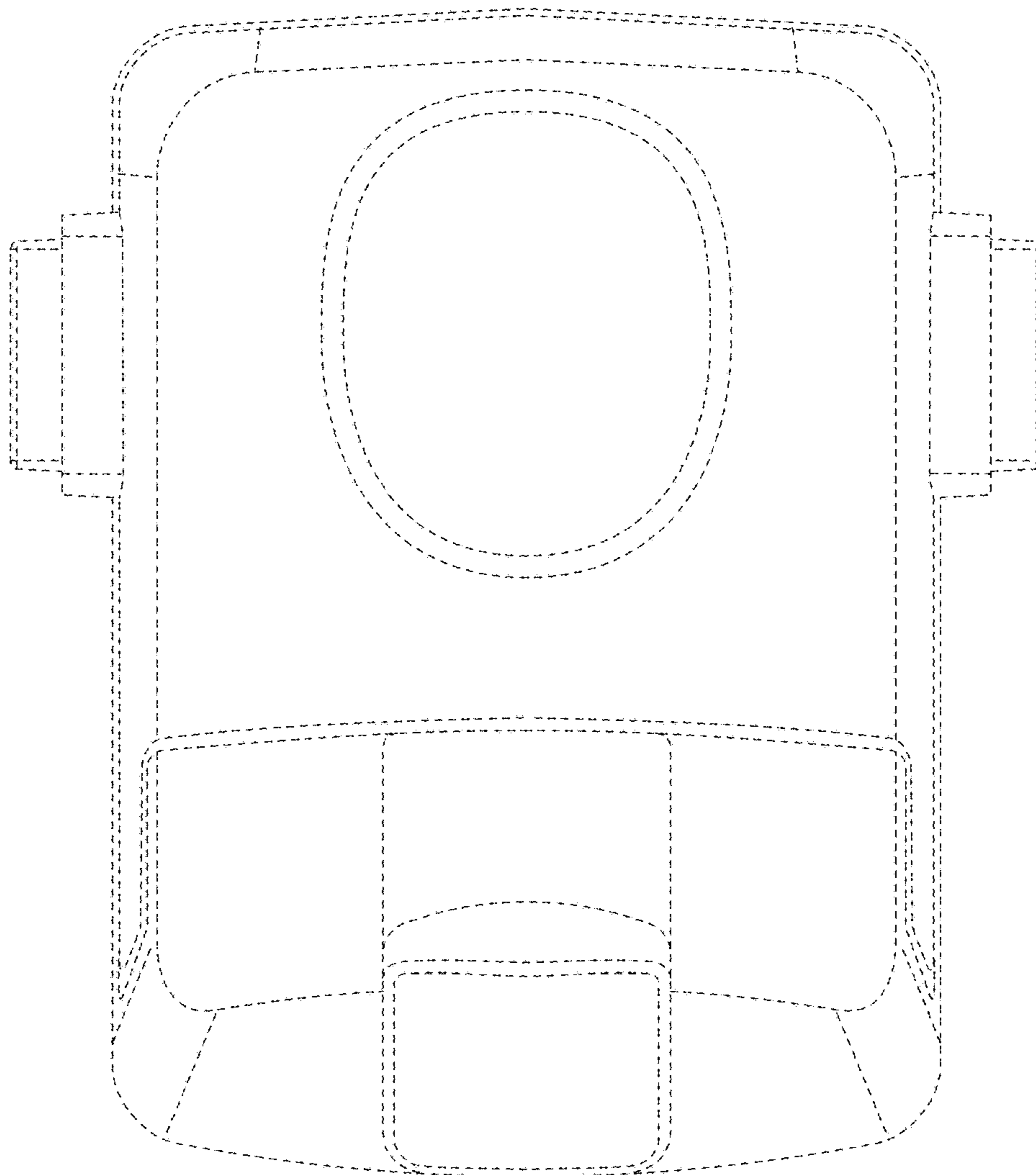


FIG. 6

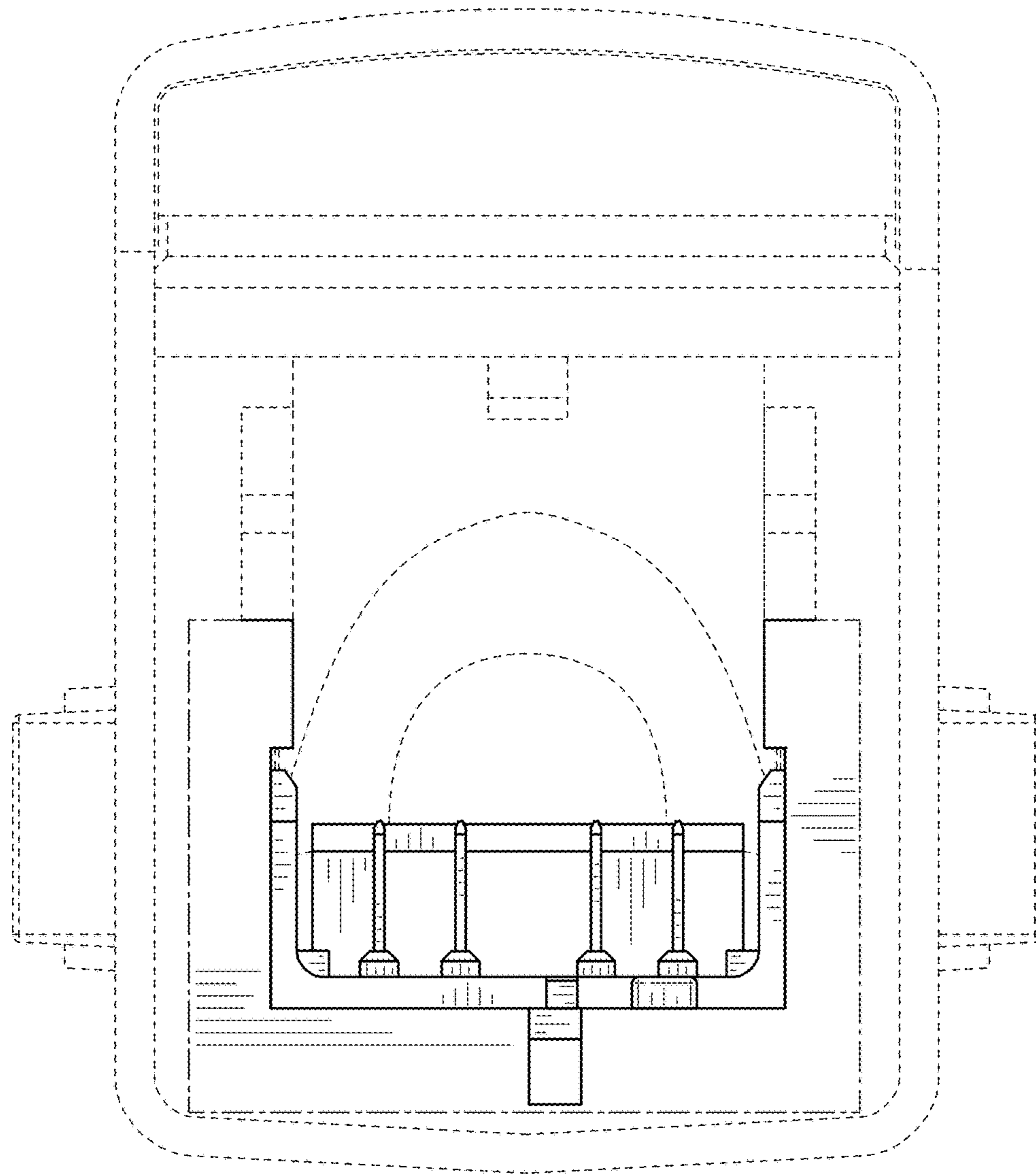


FIG. 7

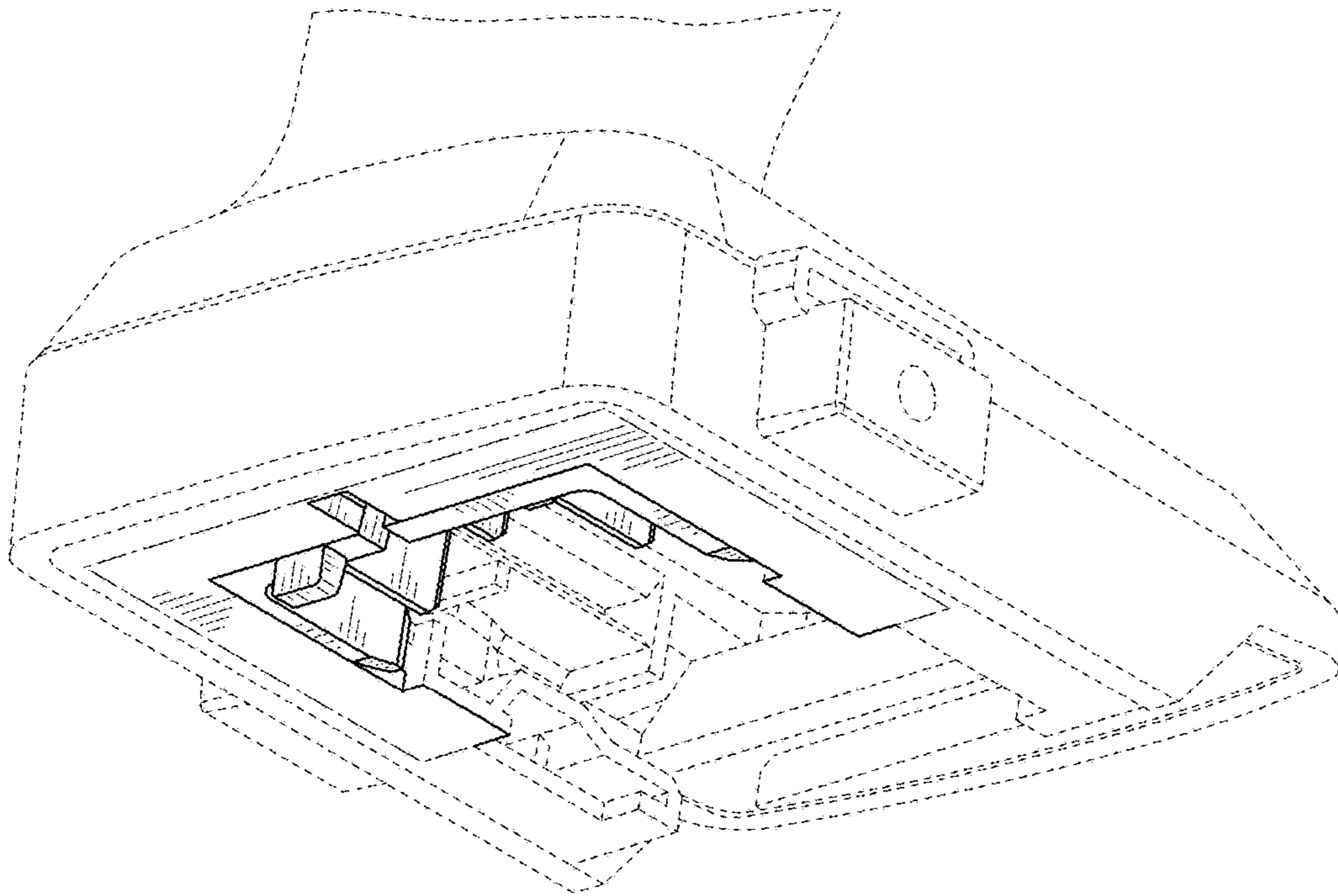


FIG. 8