



US00D839068S

(12) **United States Design Patent**
Frenkel

(10) **Patent No.:** **US D839,068 S**

(45) **Date of Patent:** **** Jan. 29, 2019**

(54) **SPLITTING MAUL**

(71) Applicant: **TRUPER, S.A. DE C.V.**, Jilotepec (MX)

(72) Inventor: **Moises Scheinberg Frenkel**, Mexico City (MX)

(73) Assignee: **TRUPER, S.A. DE C.V.**, Jilotepec (MX)

(**) Term: **15 Years**

(21) Appl. No.: **29/584,839**

(22) Filed: **Nov. 17, 2016**

(30) **Foreign Application Priority Data**

Oct. 26, 2016 (MX) MX/f/2016/003333

(51) **LOC (11) Cl.** **08-05**

(52) **U.S. Cl.**
USPC **D8/47**

(58) **Field of Classification Search**

USPC D8/14, 75, 76, 77, 78, 79, 80, 81

CPC B25F 1/006; B25D 1/04; B26B 23/00;

A62B 3/005; B66F 19/00; A01G 23/099

See application file for complete search history.

(56) **References Cited**

U.S. PATENT DOCUMENTS

D266,141 S * 9/1982 Nannen D8/76

4,357,974 A * 11/1982 Nannen B27L 7/06

144/195.7

D269,494 S *	6/1983	Tremaglio	D8/47
D286,008 S *	10/1986	Hillinger	D8/47
D378,656 S *	4/1997	Maine	D8/76
D510,691 S *	10/2005	Storm	D8/76
D549,065 S *	8/2007	Chen	D8/76
D549,540 S *	8/2007	Chen	D8/76
D566,510 S *	4/2008	Nielsen	D8/76
D607,295 S *	1/2010	Knight	D8/76
D631,722 S *	2/2011	Lamarre	D8/76
D644,498 S *	9/2011	Chen	D8/78
D648,610 S *	11/2011	Paloheimo	D8/78
D720,588 S *	1/2015	Pugh	D8/47
D775,923 S *	1/2017	Klingman	D8/76

* cited by examiner

Primary Examiner — Philip S Hyder

(74) *Attorney, Agent, or Firm* — Levenfeld Pearlstein, LLC

(57) **CLAIM**

The ornamental design for a splitting maul, as shown and described.

DESCRIPTION

FIG. 1 is a front perspective view of a head of a splitting maul embodying my new design;

FIG. 2 is a rear perspective view thereof;

FIG. 3 is a top view thereof;

FIG. 4 is a side view thereof, the opposite side view being a mirror image thereof;

FIG. 5 is a front view thereof; and,

FIG. 6 is a rear view thereof.

1 Claim, 3 Drawing Sheets

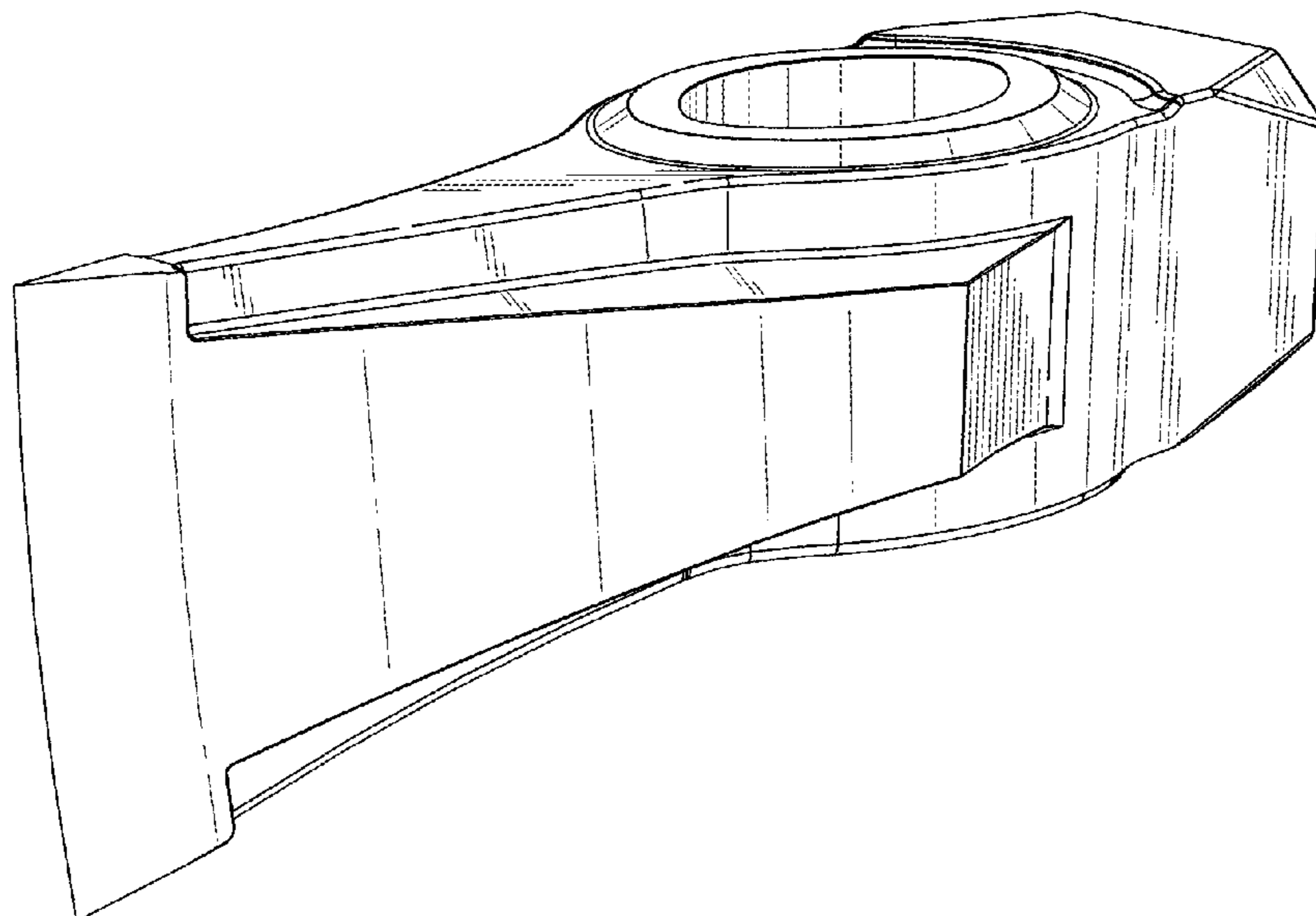


Fig. 1

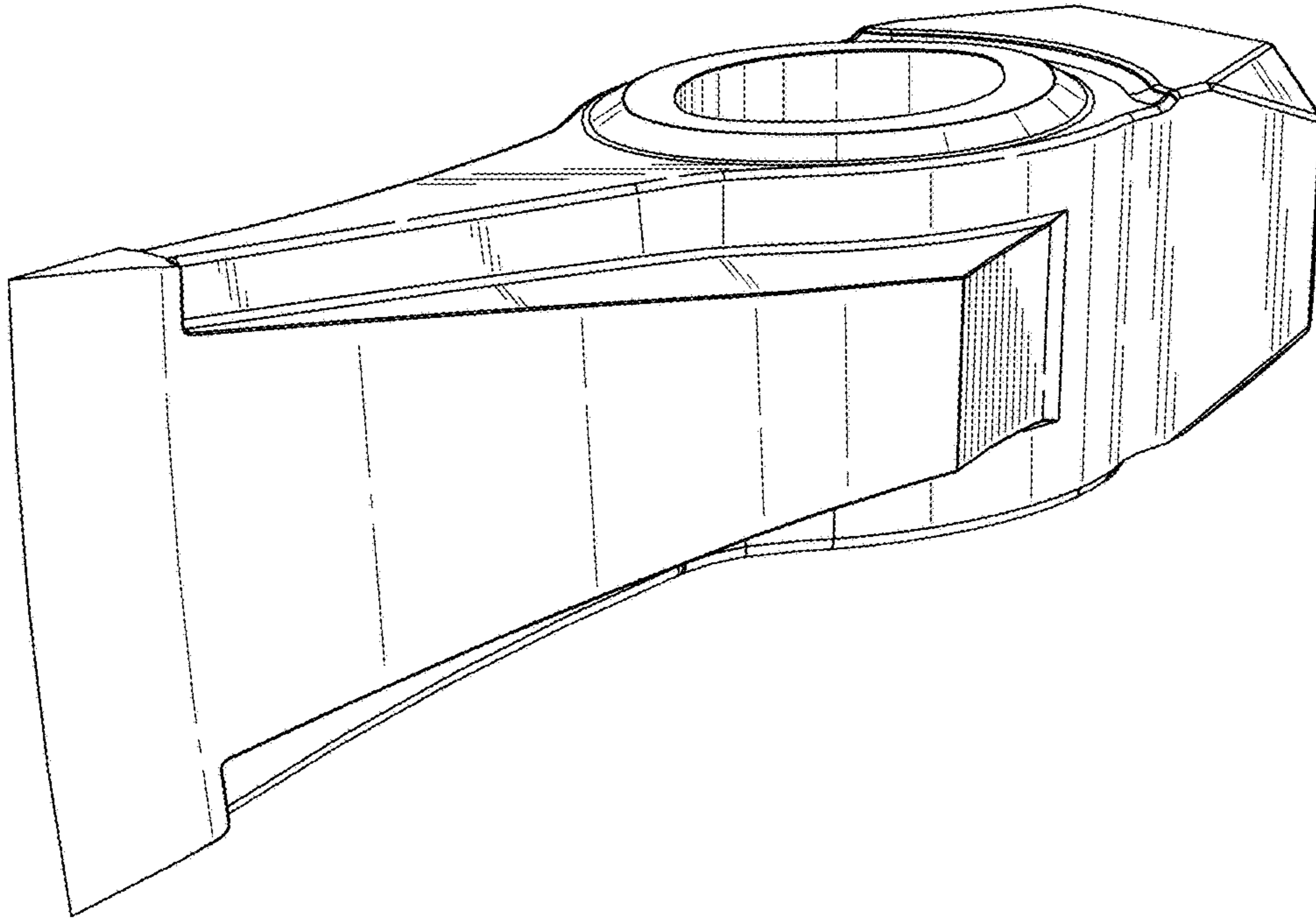


Fig. 2

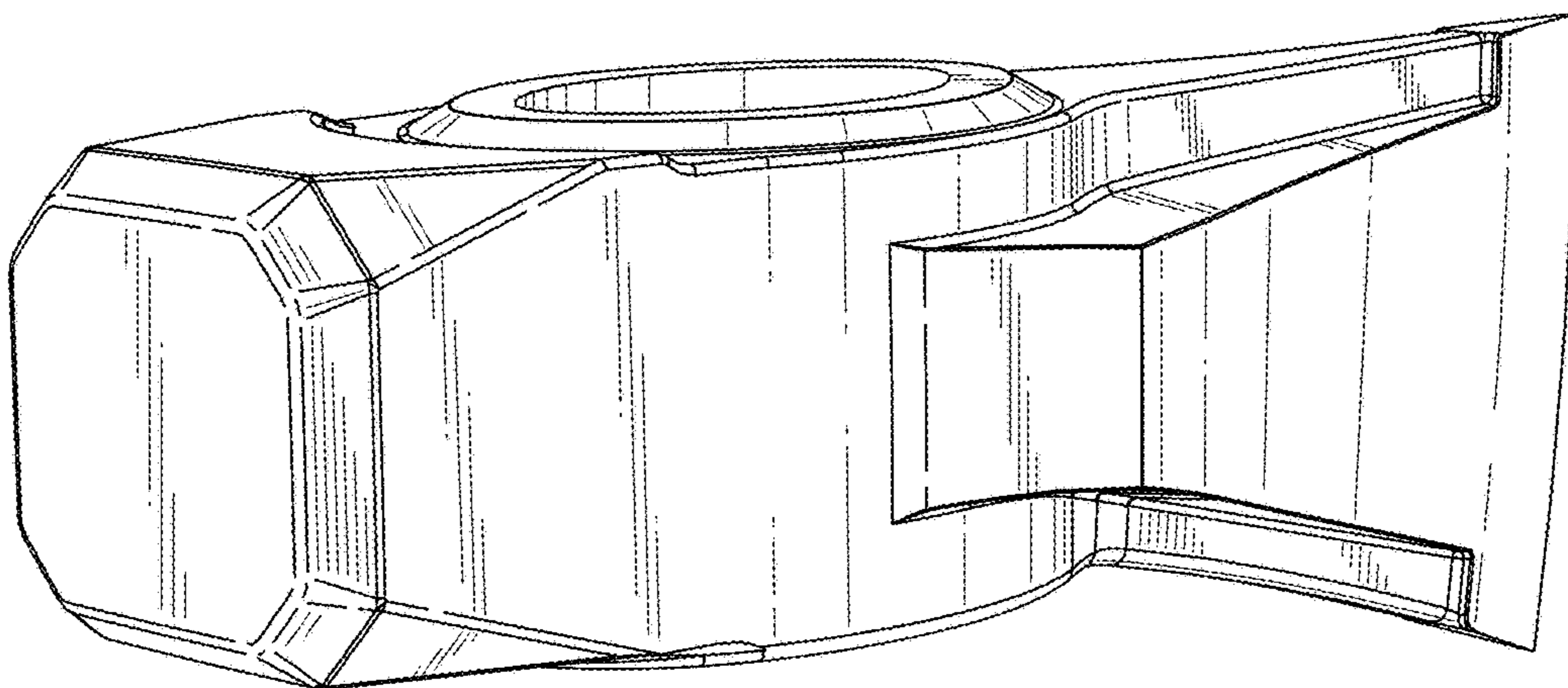


Fig. 3

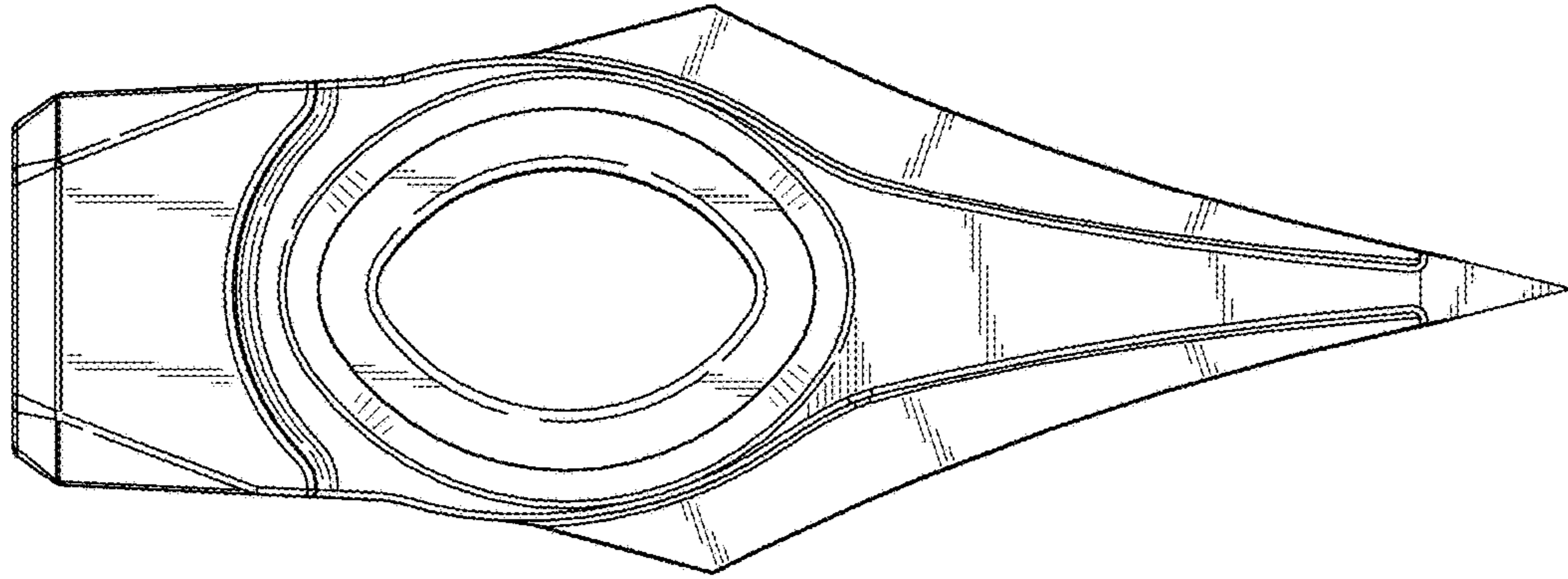


Fig. 4

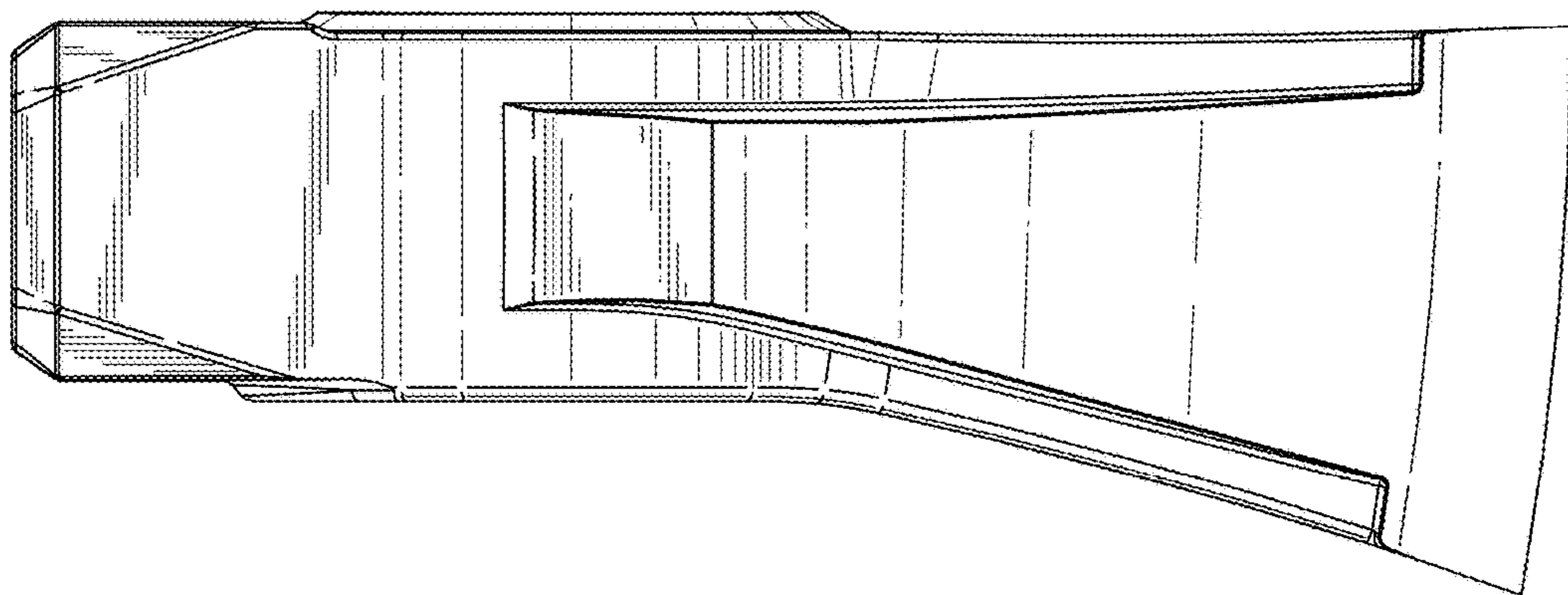


Fig. 5

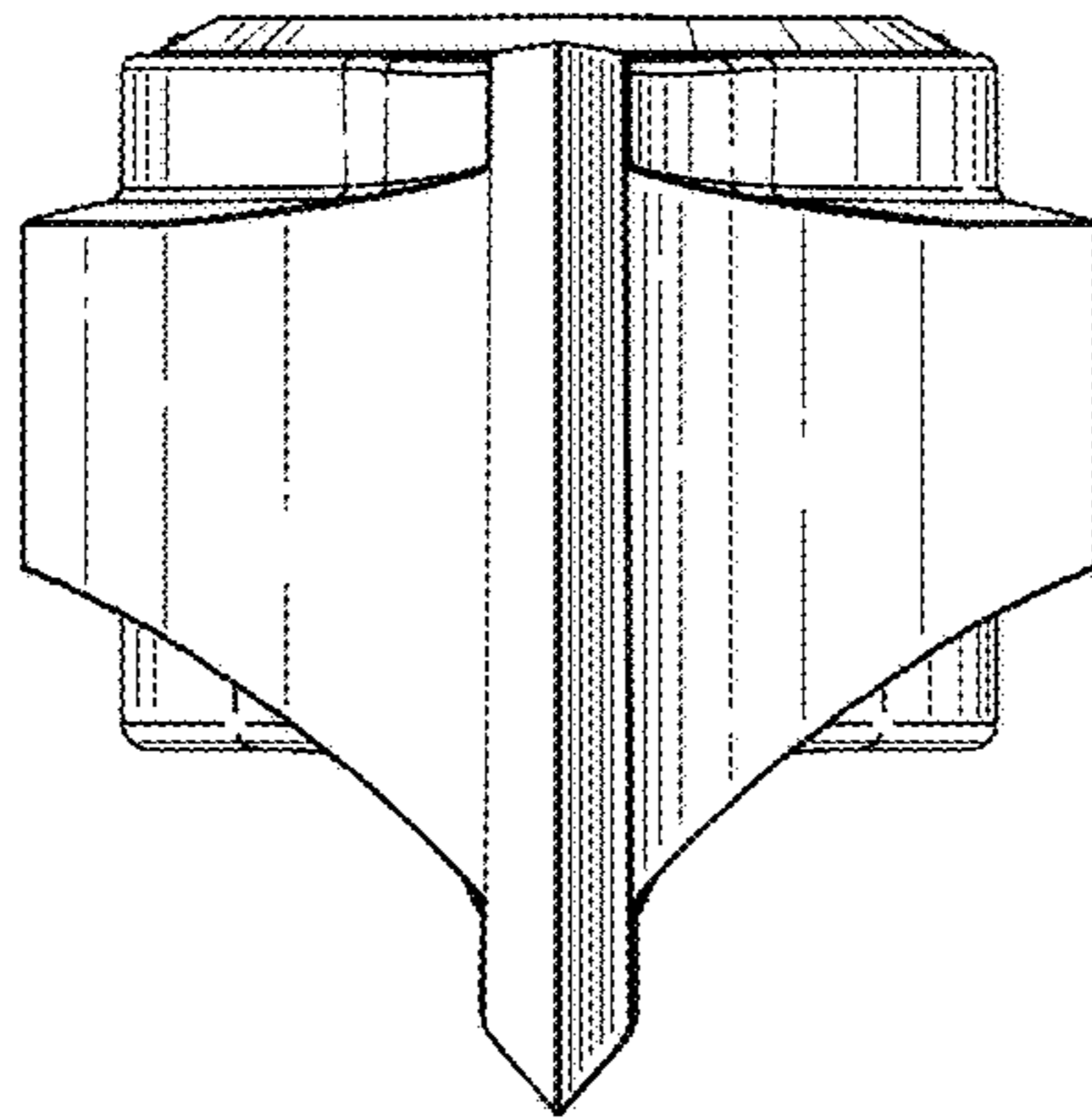


Fig. 6

