



US00D839059S

(12) **United States Design Patent** (10) **Patent No.:** **US D839,059 S**
Sullivan et al. (45) **Date of Patent:** **** Jan. 29, 2019**

(54) **SCOOP**

(71) Applicant: **SULLIVAN SUPPLY, INC.**, Dunlap, IA (US)

(72) Inventors: **John Sullivan**, Dunlap, IA (US); **James Sullivan**, Dunlap, IA (US)

(73) Assignee: **Sullivan Supply, Inc.**, Dunlap, IA (US)

(**) Term: **15 Years**

(21) Appl. No.: **29/609,869**

(22) Filed: **Jul. 6, 2017**

(51) **LOC (11) Cl.** **07-99**

(52) **U.S. Cl.**
USPC **D7/691**

(58) **Field of Classification Search**
USPC D7/680-696, 393, 395, 669; D8/1
CPC .. A01B 1/02; A47F 13/08; A47F 13/00; A47J
43/282; F24B 15/06; A01K 1/014; A47G
21/04

See application file for complete search history.

(56) **References Cited**

U.S. PATENT DOCUMENTS

237,387 A *	2/1881	Kerfoot	A01B 1/02
			294/176
D296,406 S *	6/1988	Fuller	294/180
D306,324 S *	2/1990	Dykes	D21/472
D362,161 S *	9/1995	Rosenkranz	D7/691
5,716,087 A *	2/1998	Backich	A01B 1/02
			16/422
D675,070 S *	1/2013	Rockwell	D7/691
D694,592 S *	12/2013	Hukill	D7/691

OTHER PUBLICATIONS

WebstaurantStore, Follett ABICESCOOP 2.6 Qt. Poly Ice Scoop, <http://www.webstaurantstore.com/follett-abisescoop-2-6-qt-poly-ice-scoop/230AICESC> retrieved Dec. 14, 2016. (4 pages).

Plastic Feed Scoop 5pt White, <http://myagway.com/catalog/product/119785/plastic-feed-scoop-5pt-white>, retrieved Dec. 14, 2016 (1 page).

Neon Scoop (Purple); <http://organicchickenfeed.com/neon-scoop-purple>, retrieved Dec. 14, 2016 (2 pages).

Ag-Tuff Heavy Duty 2 Quart Plastic Feed Scoop, http://tacketc.com/shop/index.php?main_page=produc_info&products_id=29, retrieved Dec. 14, 2016 (1 page).

5-Pint Plastic Feed Scoop—Blue, <http://www.enasco.com/product/C29661N/>, retrieved Dec. 14, 2016 (2 pages).

* cited by examiner

Primary Examiner — Terry A Wallace

(74) *Attorney, Agent, or Firm* — Mueting, Raasch & Gebhardt, P.A.

(57) **CLAIM**

The ornamental design for a scoop, as shown and described.

DESCRIPTION

FIG. 1 is a front, left side perspective view of a scoop showing our new design.

FIG. 2 is a left side view thereof, the opposite side being a mirror image.

FIG. 3 is a top plan view thereof.

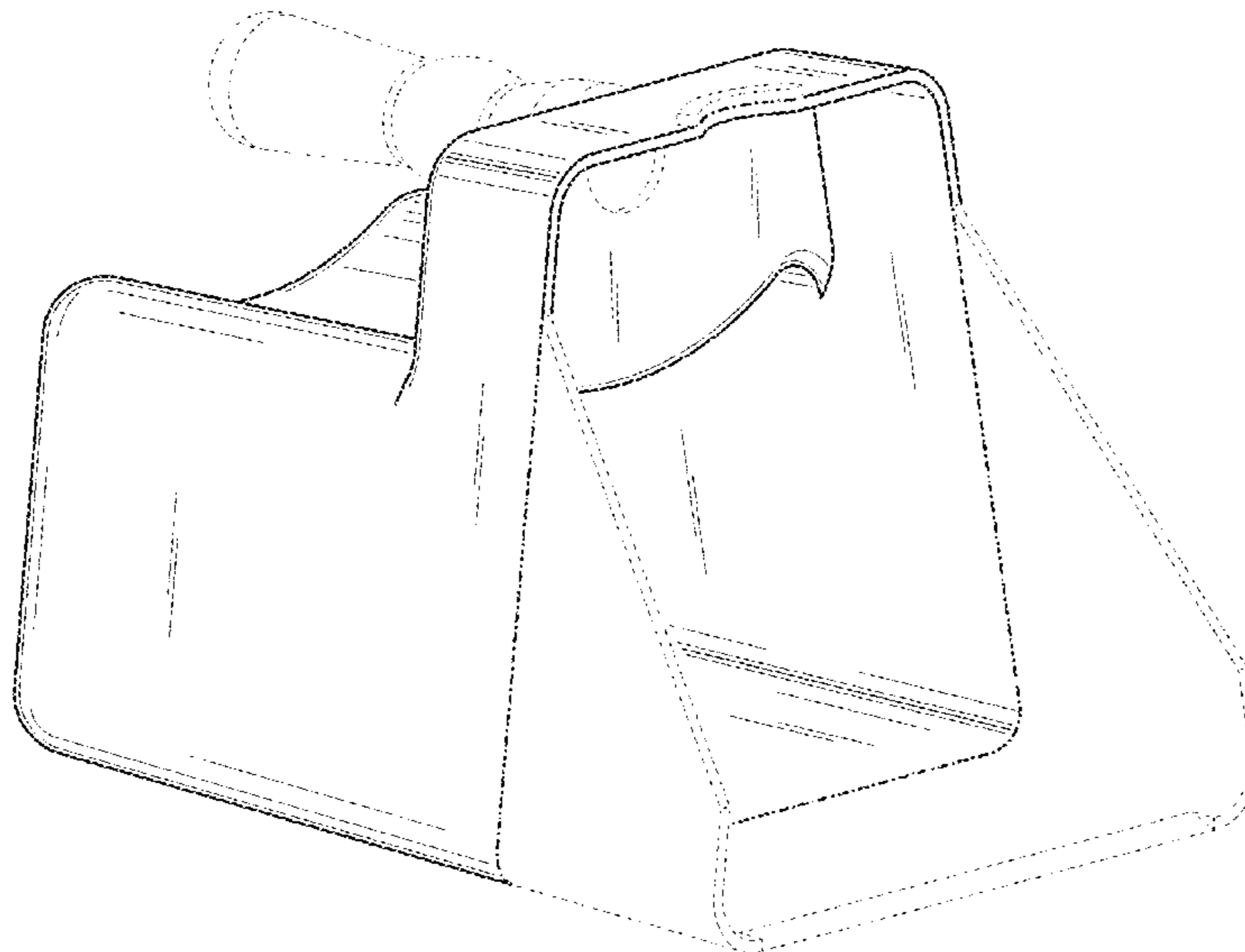
FIG. 4 is a bottom plan view thereof.

FIG. 5 is a rear view thereof; and,

FIG. 6 is a front view thereof.

The dash-dash broken lines are for illustrative purposes only and form no part of the claimed design. The dot-dash broken lines immediately adjacent the solid lines represent a boundary between claimed and unclaimed subject matter and form no part of the claimed design.

1 Claim, 6 Drawing Sheets



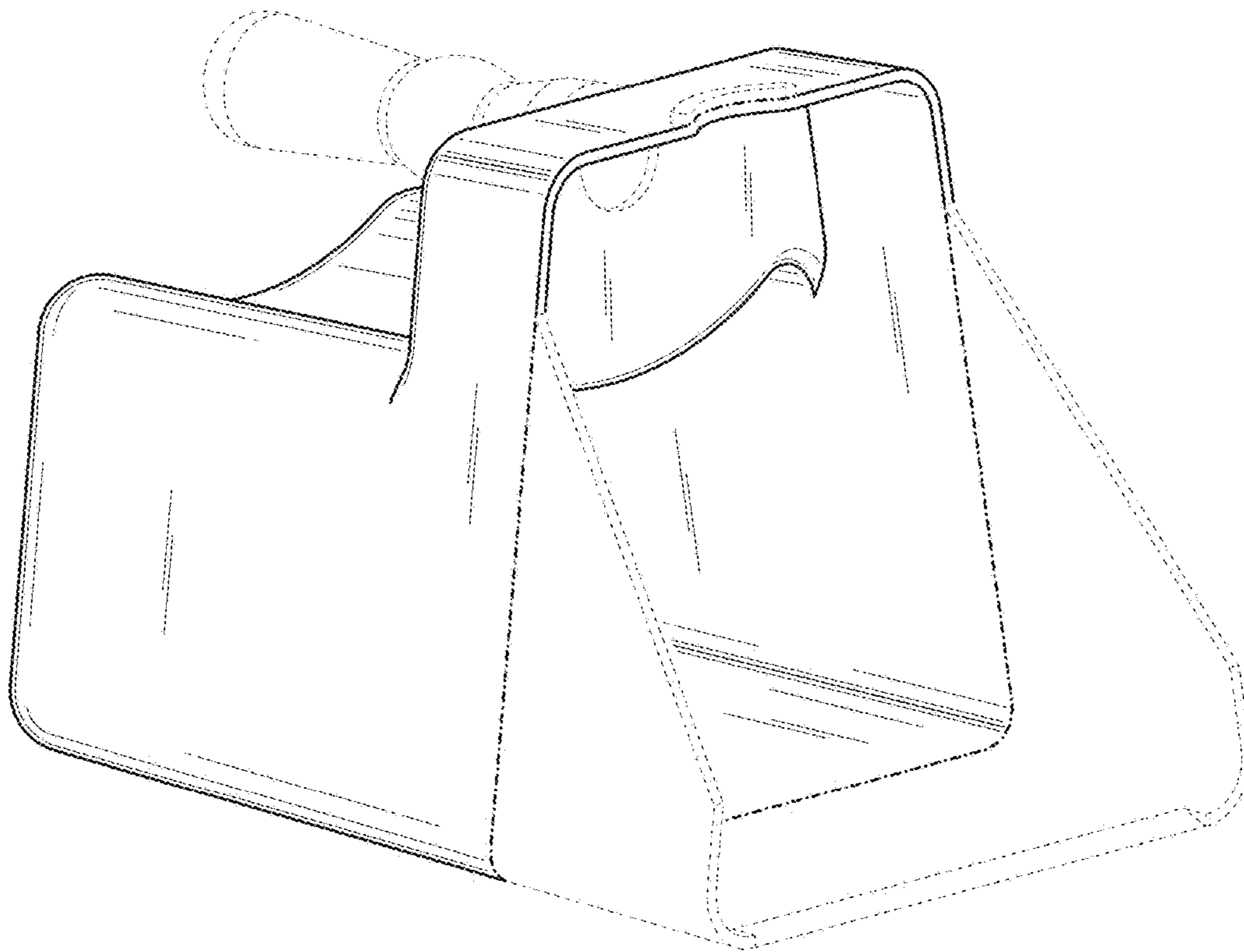


Fig. 1

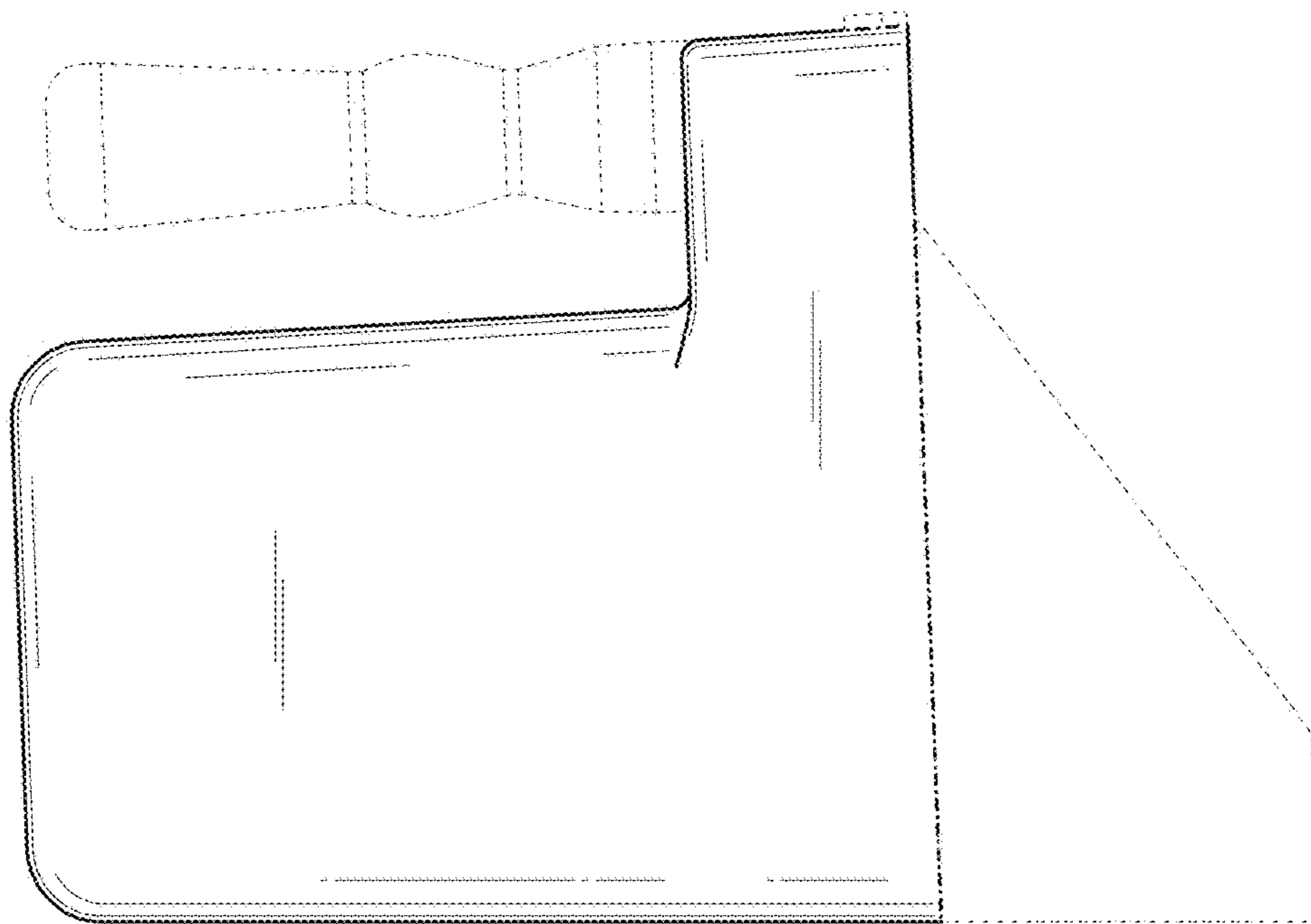


Fig. 2

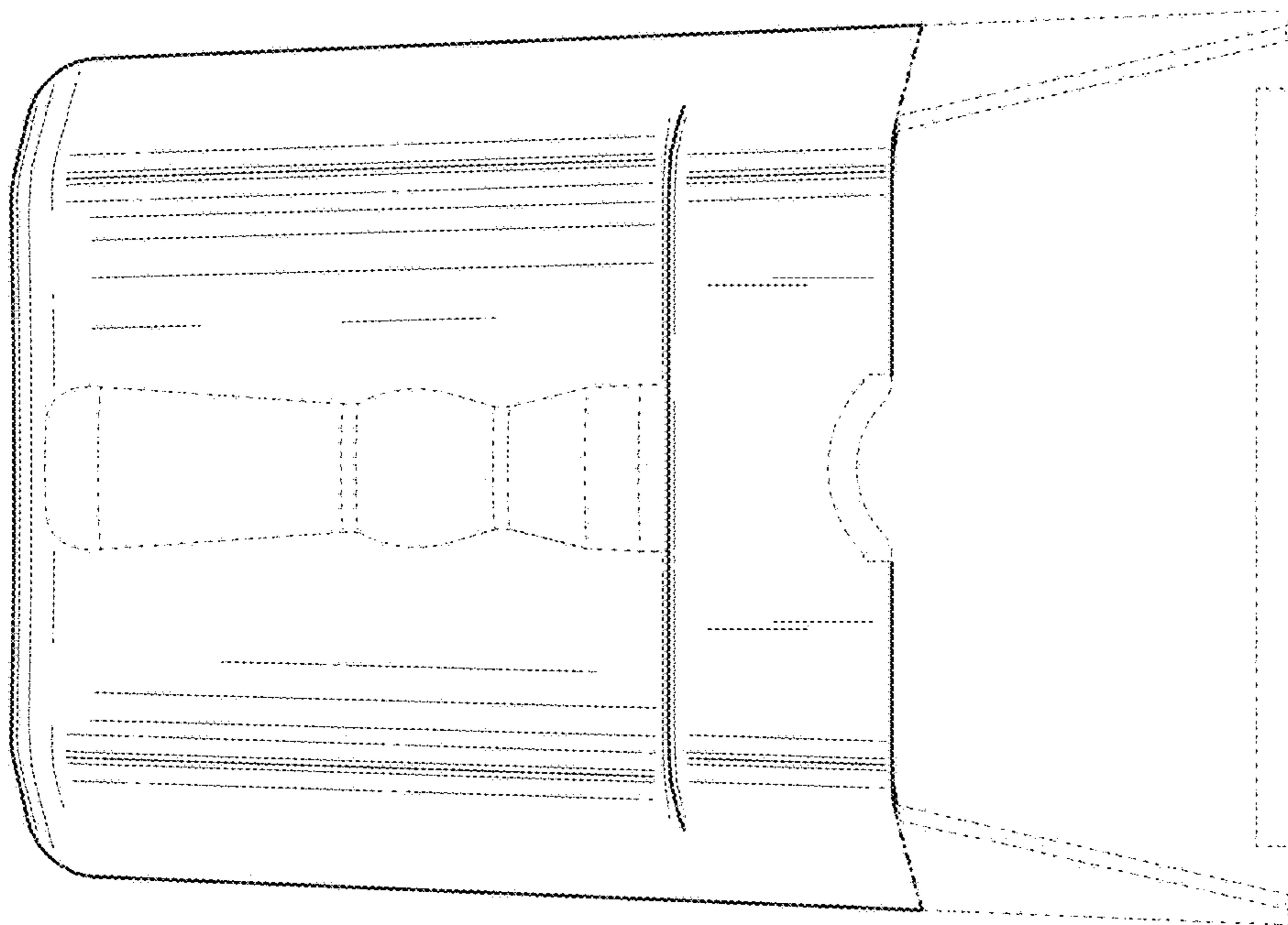


Fig. 3

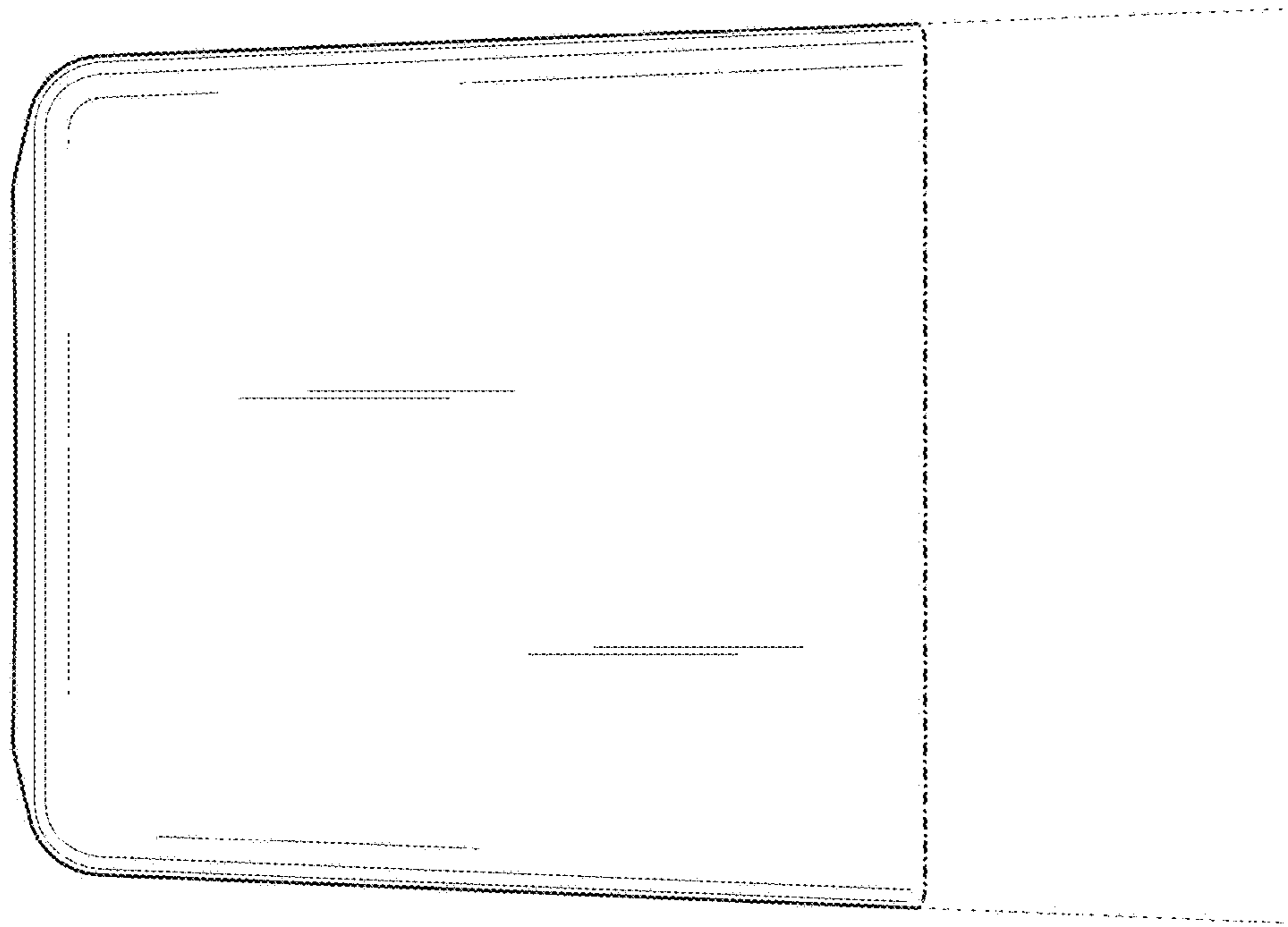


Fig. 4

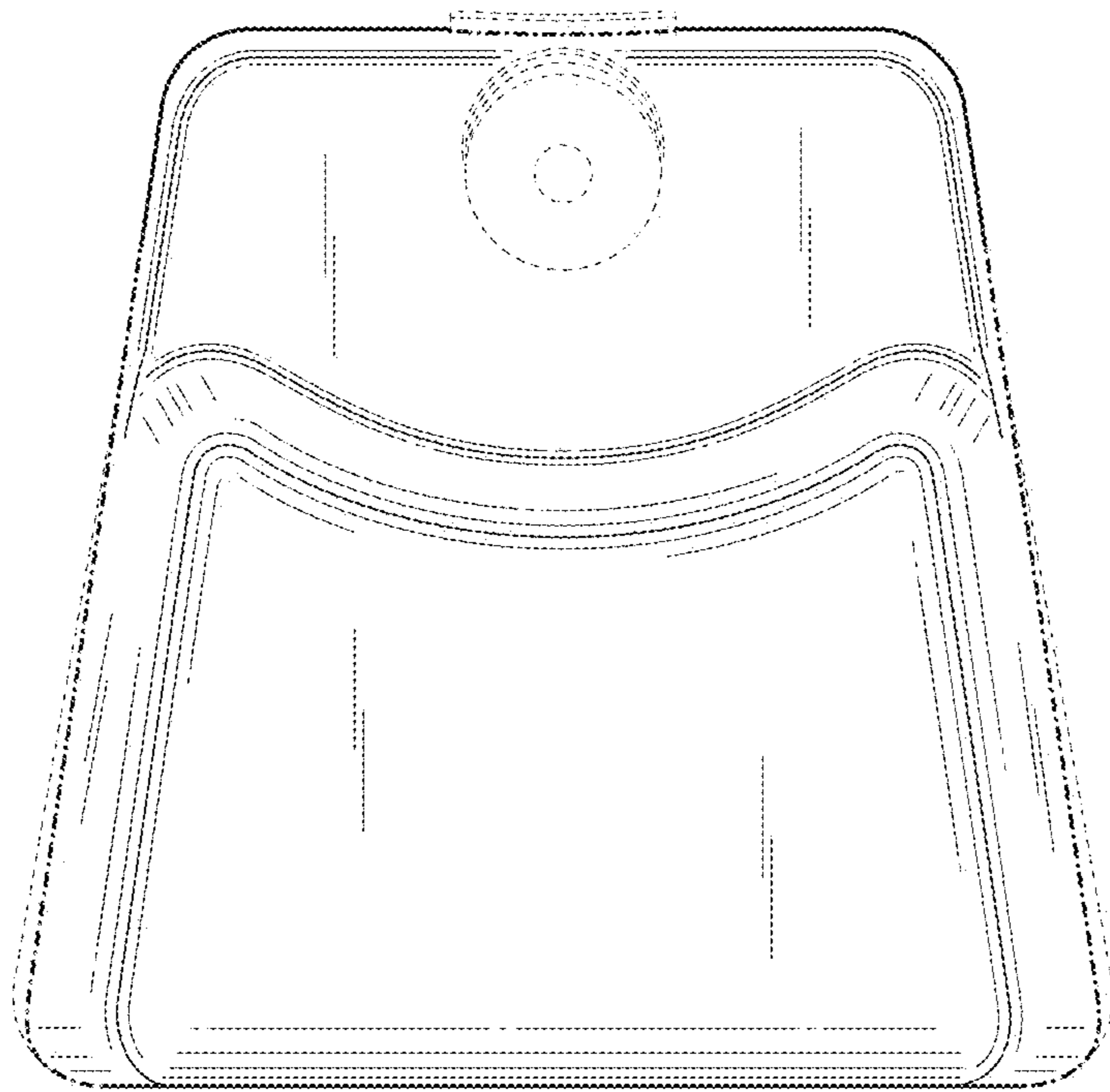


Fig. 5

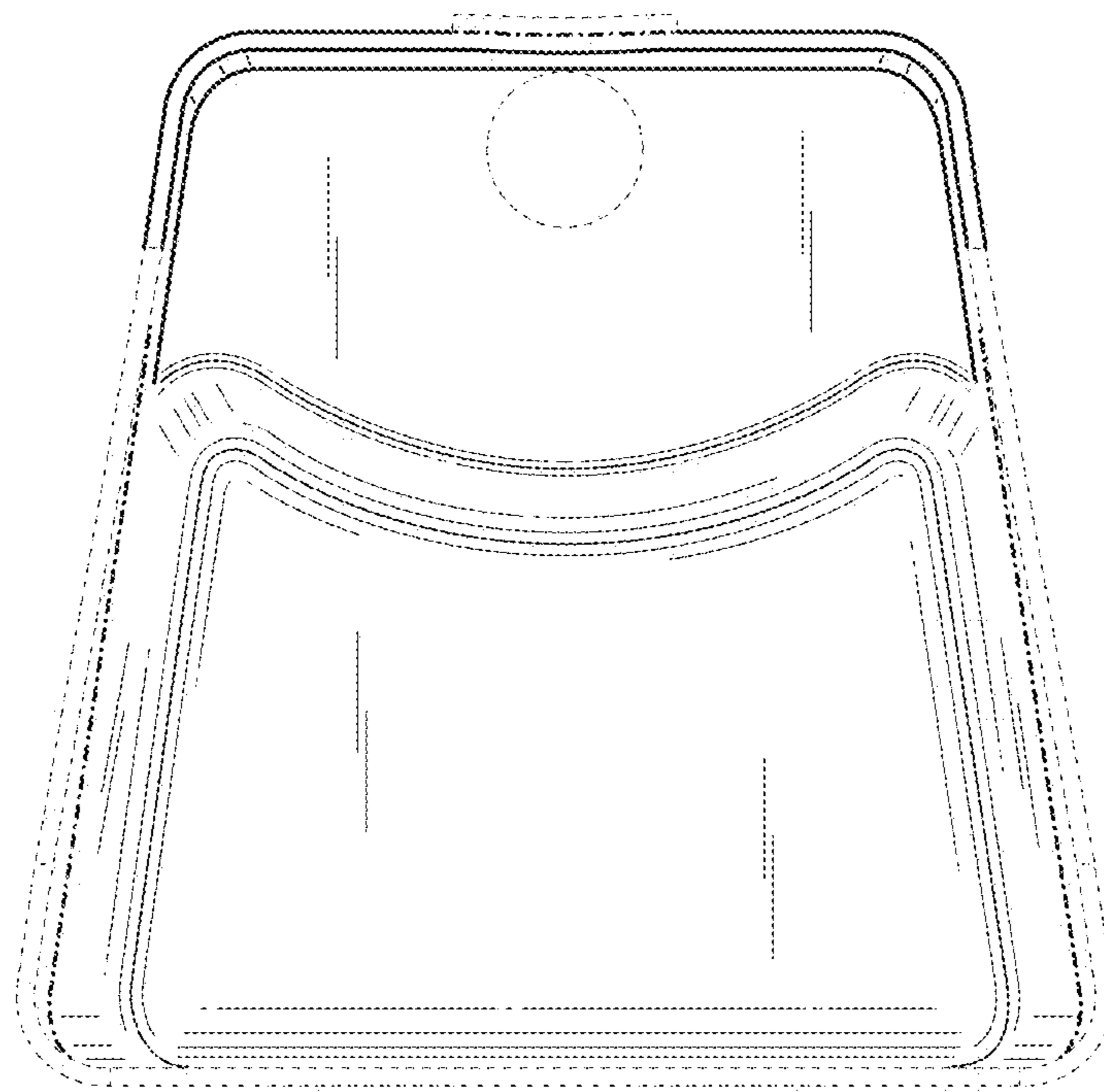


Fig. 6