



US00D839058S

(12) **United States Design Patent**
Irish

(10) **Patent No.:** **US D839,058 S**

(45) **Date of Patent:** **** Jan. 29, 2019**

(54) **BEVERAGE INSULATING DEVICE**

(71) Applicant: **Ryan Irish**, Port Richey, FL (US)

(72) Inventor: **Ryan Irish**, Port Richey, FL (US)

(**) Term: **15 Years**

(21) Appl. No.: **29/615,489**

(22) Filed: **Aug. 29, 2017**

Related U.S. Application Data

(63) Continuation of application No. 13/952,323, filed on Jul. 26, 2013.

(51) **LOC (11) Cl.** **07-01**

(52) **U.S. Cl.**

USPC **D7/624.2**

(58) **Field of Classification Search**

USPC D7/601, 605, 607, 608, 615, 624.2, 625;
D6/531-534; D3/304-314; D9/444,
D9/501-504, 574, 575, 779; 220/4.6,
220/592.16, 592.17, 592.23, 592.25, 737,
220/739, 902, 903

CPC F25D 3/08; F25D 3231/805; B65D 25/30;
B65D 7/00; B65D 7/04; B65D 7/24;
B65D 81/3876; B65D 81/3879; B65D
23/104; B65D 81/38; B65D 81/3886;
B65D 81/3883; B65D 81/3881; B65D
83/00; B65D 1/42; B65D 21/08; B65D
21/083; B65D 21/0228; B65D 21/0224;
A45C 11/20; A45C 11/005; A47G
23/0216; A47G 19/2272; A47G 19/2288;
A47G 23/0241; A47G 23/0266; A47G
2023/0291; A45F 2200/0583; A61F 7/10;
B31D 5/0086; A47J 41/02; F42B 3/02;
F42B 3/24; B65B 3/02

See application file for complete search history.

(56) **References Cited**

U.S. PATENT DOCUMENTS

2,326,414	A *	8/1943	Thompson	B65D 7/00 206/503
2,345,887	A *	4/1944	Rothrock	F42B 3/24 102/314
3,013,492	A *	12/1961	Sexton	F42B 3/02 102/317
4,429,786	A *	2/1984	Hucal	A45C 11/005 206/499
4,444,324	A *	4/1984	Grenell	B65D 25/04 206/545
4,600,111	A *	7/1986	Brown	A47G 19/2272 215/11.1
5,417,327	A *	5/1995	Saumure	B65D 21/0228 206/427
6,145,685	A *	11/2000	Dick	B65D 21/0228 215/10
D653,492	S *	2/2012	Enghard	D7/300.1
8,720,739	B2 *	5/2014	Bollis	B65D 81/3879 220/739
2007/0272698	A1 *	11/2007	Brown	B65D 21/08 220/578

(Continued)

Primary Examiner — Freda S Nunn

(74) *Attorney, Agent, or Firm* — Justin Luby

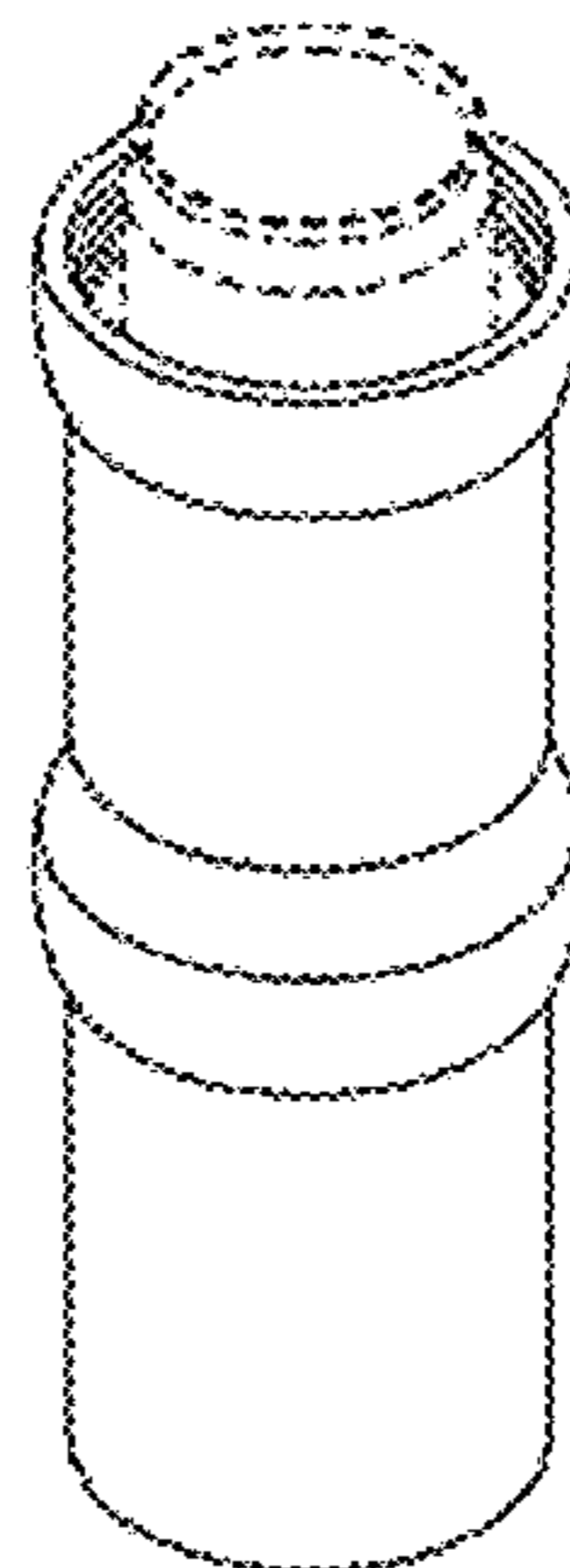
(57) **CLAIM**

The ornamental design for a beverage insulating device, as shown and described.

DESCRIPTION

FIG. 1 is a perspective view of a beverage insulating device shown in use;
FIG. 2 is an exploded, perspective view thereof;
FIG. 3 is an exploded perspective view thereof illustrating the coupling of the two sections; and,
FIG. 4 is an exploded, bottom perspective view thereof.
The undisclosed sides are identical to those shown in the disclosure and the broken lines form no part of the claimed design.

1 Claim, 3 Drawing Sheets



(56)

References Cited

U.S. PATENT DOCUMENTS

2008/0035646 A1* 2/2008 Smith B65D 21/083
220/526

* cited by examiner

FIG.1

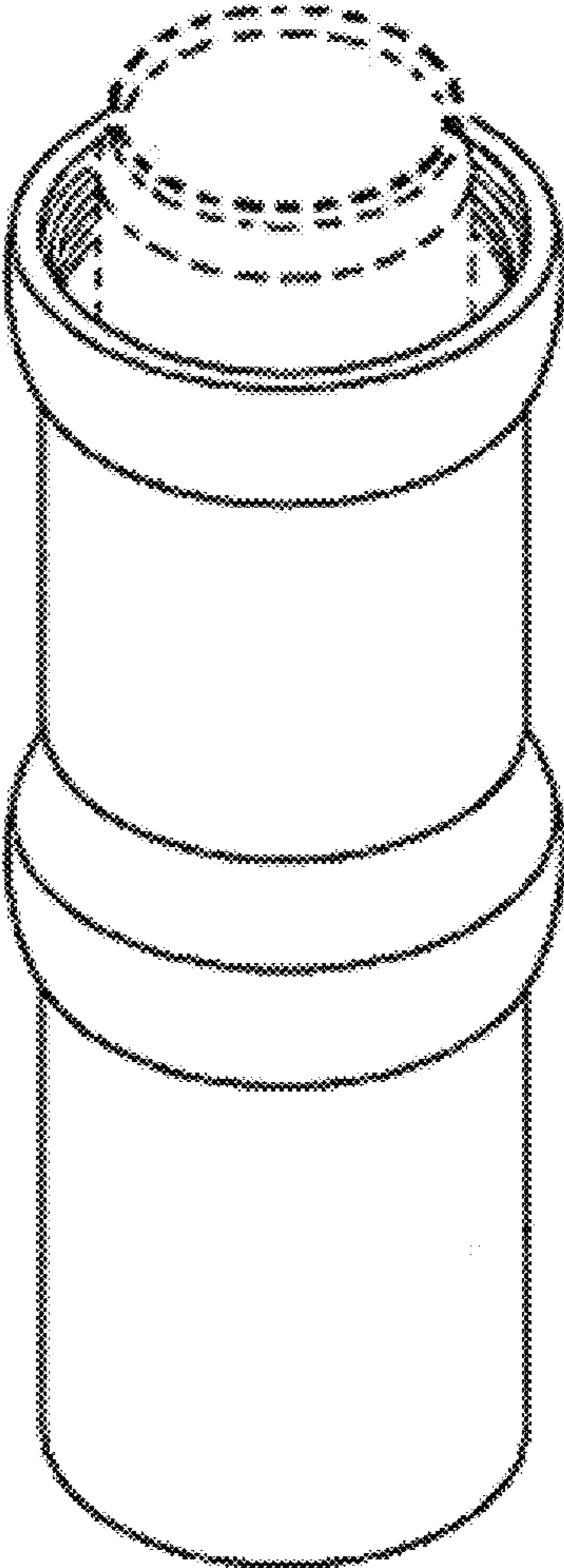


FIG.2

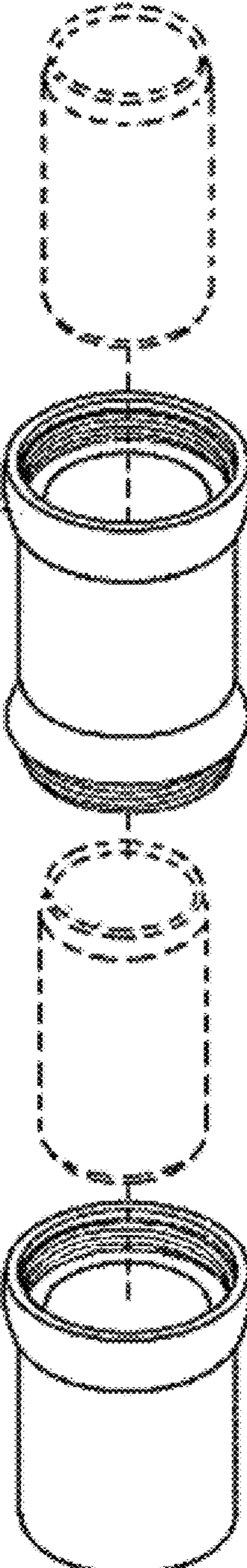


FIG.3

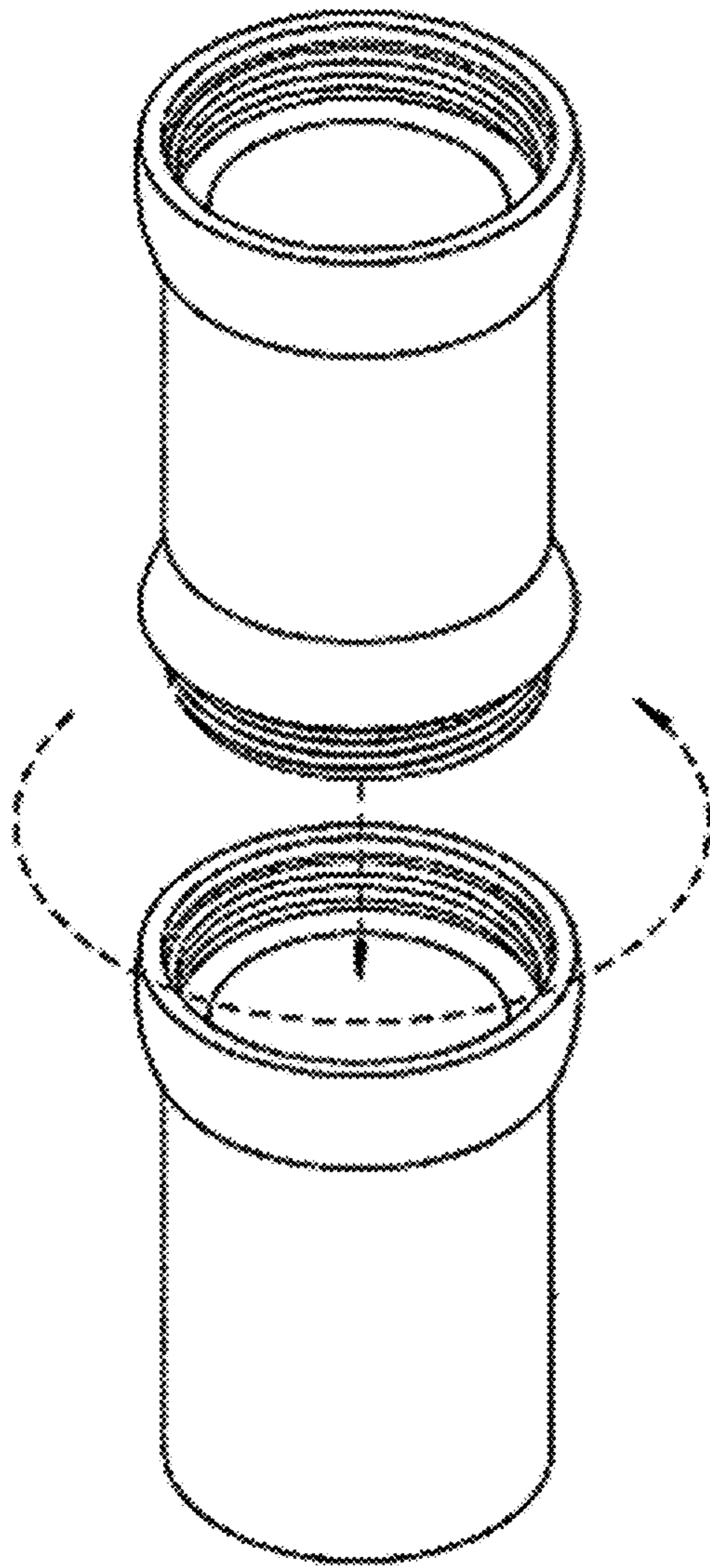


FIG.4

