



US00D839057S

(12) **United States Design Patent**  
**Jacobsen**

(10) **Patent No.:** **US D839,057 S**

(45) **Date of Patent:** **\*\* \*Jan. 29, 2019**

(54) **LIQUID CONTAINER**

- (71) Applicant: **RTIC IP, LLC**, Houston, TX (US)
- (72) Inventor: **James Matthew Jacobsen**, Houston, TX (US)
- (73) Assignee: **RTIC IP, LLC**, Houston, TX (US)
- (\*) Notice: This patent is subject to a terminal disclaimer.
- (\*\*) Term: **15 Years**
- (21) Appl. No.: **29/621,134**
- (22) Filed: **Oct. 4, 2017**
- (51) **LOC (11) Cl.** ..... **07-01**
- (52) **U.S. Cl.**  
USPC ..... **D7/608**
- (58) **Field of Classification Search**  
USPC ..... D7/603-608, 509-511; D9/447, 449, D9/500-505, 443, 516, 532, 522, 558  
CPC .... B65D 25/28; B65D 25/42; B65D 41/0414; B65D 41/0485; B65D 41/62; B65D 43/26; B65D 42/02; B65D 43/163; B65D 47/08; B65D 47/066; B65D 47/0814; B65D 47/0838; B65D 47/0861; B65D 81/3823; B65D 81/3818; B65D 81/3846; A47G 19/2266; A47G 19/2272; A47G 19/2205; A47G 19/23; A47G 23/0216; A47G 23/0266; A47G 23/0241; F25D 3/08; F25D 3/14; A45C 11/20; A47J 41/02; A47J

(Continued)

(56) **References Cited**

**U.S. PATENT DOCUMENTS**

- D530,141 S \* 10/2006 Wilgus ..... D7/313
- D702,506 S \* 4/2014 Mettler ..... D7/608
- D724,385 S \* 3/2015 Hurley ..... D7/511

(Continued)

**OTHER PUBLICATIONS**

'amazon.com' [online]. "Coleman Beverage Cooler, Blue, 1/3 Gallon," Published on or before Oct. 3, 2017, Retrieved from the Internet: URL<[https://www.amazon.com/Coleman-Beverage-Cooler-Blue-Gallon/dp/B0000AUSKY/ref=br\\_lf\\_m\\_67tc2rbohdf5s2\\_ttl?encoding=UTF8&s=sporting-goods](https://www.amazon.com/Coleman-Beverage-Cooler-Blue-Gallon/dp/B0000AUSKY/ref=br_lf_m_67tc2rbohdf5s2_ttl?encoding=UTF8&s=sporting-goods)>. 7 pages.

(Continued)

*Primary Examiner* — Terry A Wallace

(74) *Attorney, Agent, or Firm* — Fish & Richardson P.C.

(57) **CLAIM**

The ornamental design for a liquid container, as shown and described.

**DESCRIPTION**

FIG. 1 is a perspective view of a liquid container of my new design. The container includes a lid illustrated in a closed position. Stippling illustrates a lower bottom portion of the container having a color different from the color of the body of the container. Dashed lines illustrate a logo on the liquid container, grip knurls on a cap for a pouring spout on the lid, and a handle grip and form no part of the claimed design.

FIG. 2 is a front view of the liquid container.

FIG. 3 is a right side view of the liquid container.

FIG. 4 is a rear view of the liquid container.

FIG. 5 is a left side view of the liquid container.

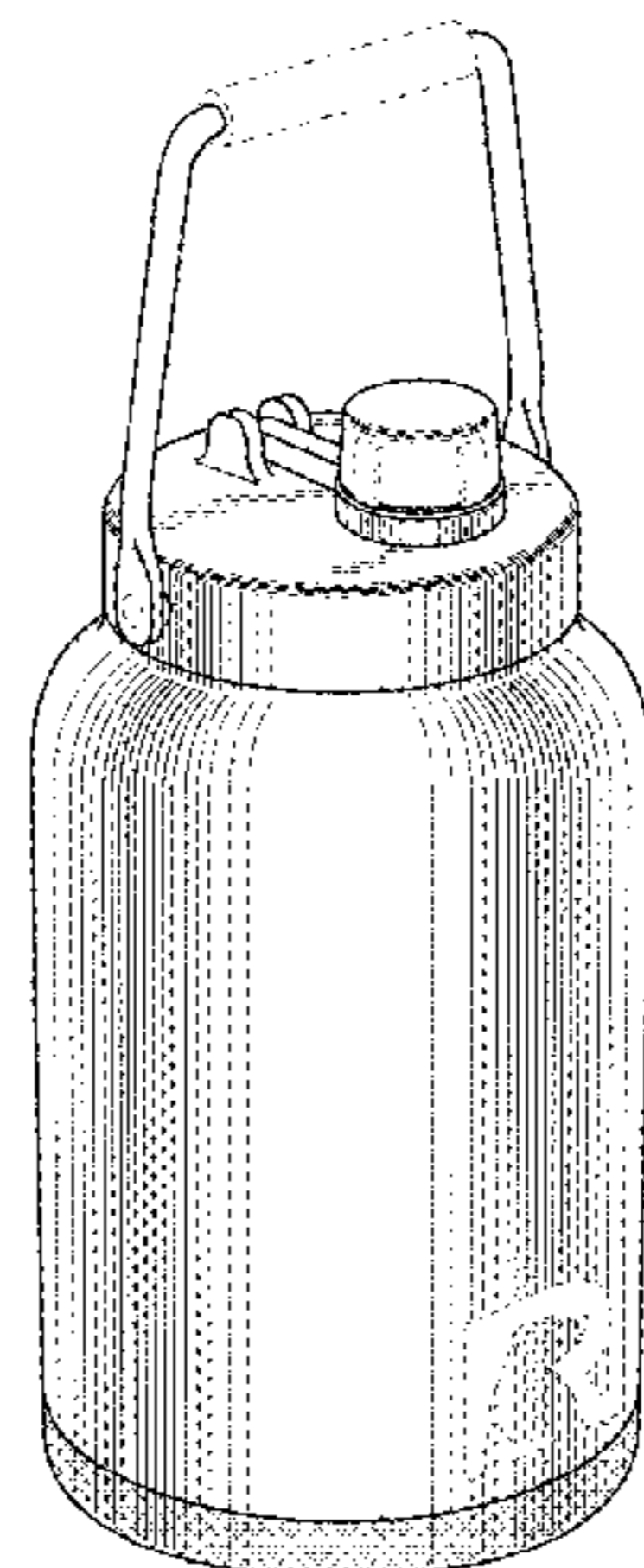
FIG. 6 is a bottom view looking upward on the liquid container; and,

FIG. 7 is a top view looking downward on the liquid container.

The surface shading and contour lines in the drawings is a drawing convention to represent character and contour; it does not illustrate material, surface ornamentations, or surface decoration and forms no part of the claimed design.

The dashed broken lines in the drawings are for environmental structure and form no part of the claimed design.

**1 Claim, 2 Drawing Sheets**



- (58) **Field of Classification Search**  
 CPC ..... 41/022; A47J 41/024; A47J 41/026; A47J  
 41/028; A47J 41/00; A47J 41/0077  
 See application file for complete search history.

(56) **References Cited**

U.S. PATENT DOCUMENTS

D787,893 S	5/2017	Seiders
D787,894 S	5/2017	Seiders
D802,419 S	11/2017	Seiders
D802,994 S	11/2017	Seiders
D824,217 S	7/2018	Seiders et al.

OTHER PUBLICATIONS

'amazon.com' [online]. "HFS (Tm) 3 L Cryogenic Container Liquid Nitrogen Ln2 Tank with Straps and Carry Bag with 6 Canisters. Dewar Tank," Published on or before Oct. 3, 2017, Retrieved from the Internet: URL<<https://www.amazon.com/Cryogenic-Container->

Liquid-Nitrogen-Canisters/dp/B00B4YR0AO/ref=sr\_1\_4?ie=UTF8 &qid=1516385661&sr=8-4&keywords=liquid+nitrogen+container>. 7 pages.

'dickssportinggoods.com' [online]. "Gatorade 1 Gallon Cooler," Published on or before Oct. 3, 2017, Retrieved from the Internet: URL<<https://www.dickssportinggoods.com/p/gatorade-1-gallon-cooler-16gatugtrdlgllnclgaa/16gatugtrdlgllnclgaa>>. 5 pages.

'lindysstainless.com' [online]. "Lindys Stainless Steel Gallon Milk Jug with Lid 7708," Published on or before Oct. 3, 2017, Retrieved from the Internet: URL<<http://www.lindysstainless.com/lindys-stainless-steel-gallon-milk-jug.html>>. 3 pages.

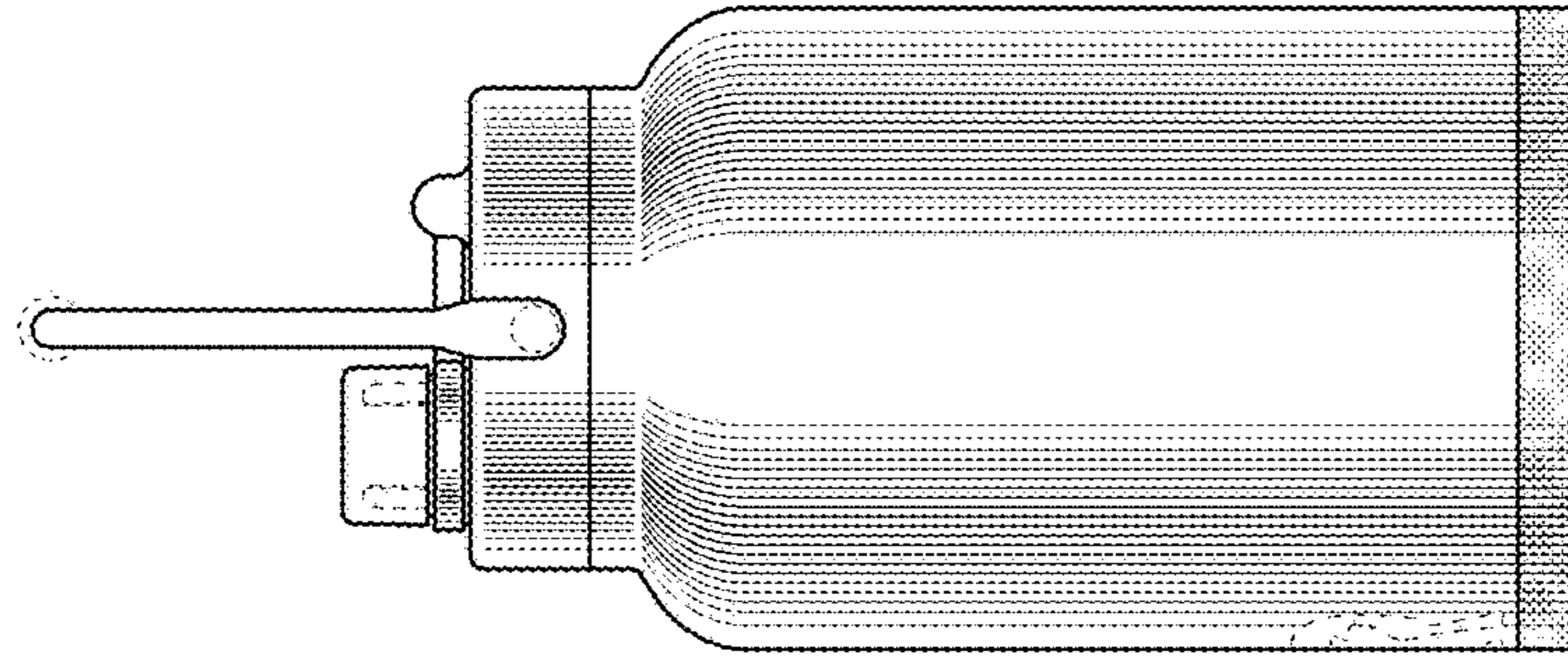
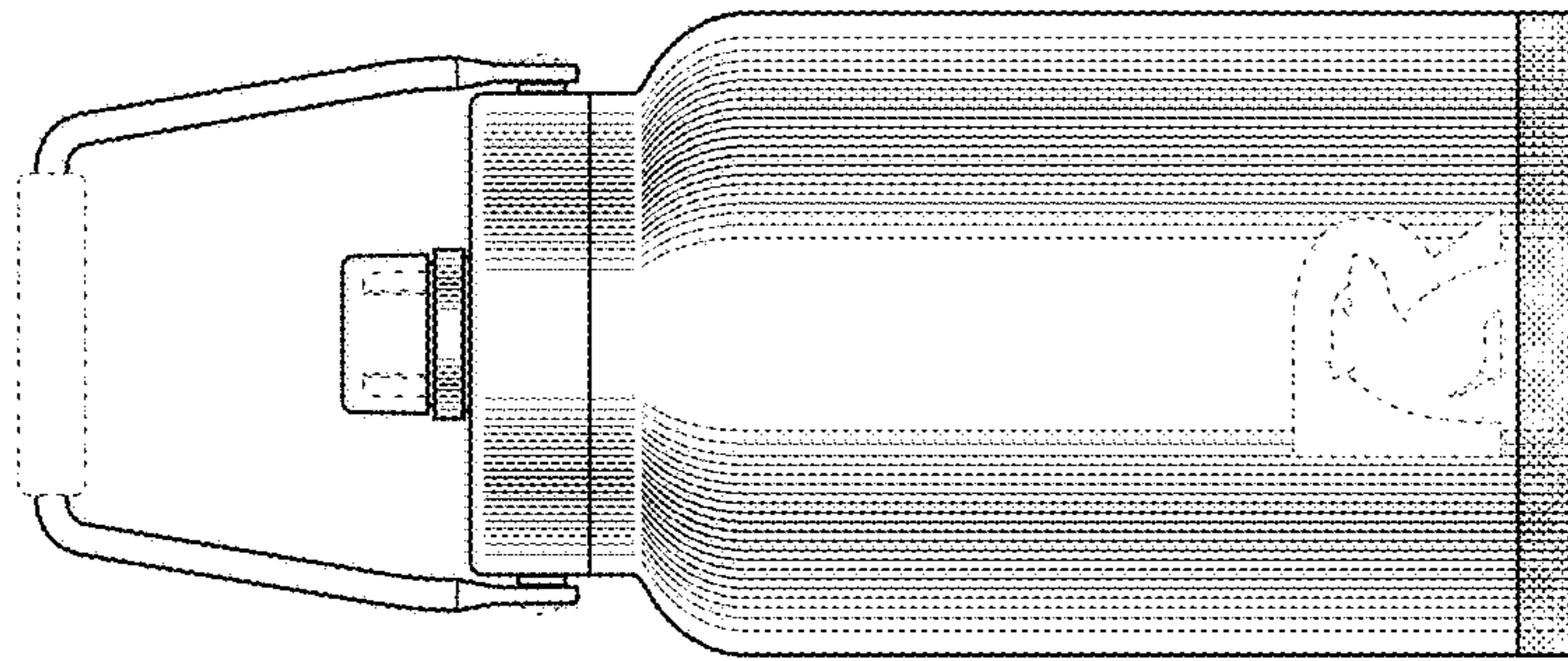
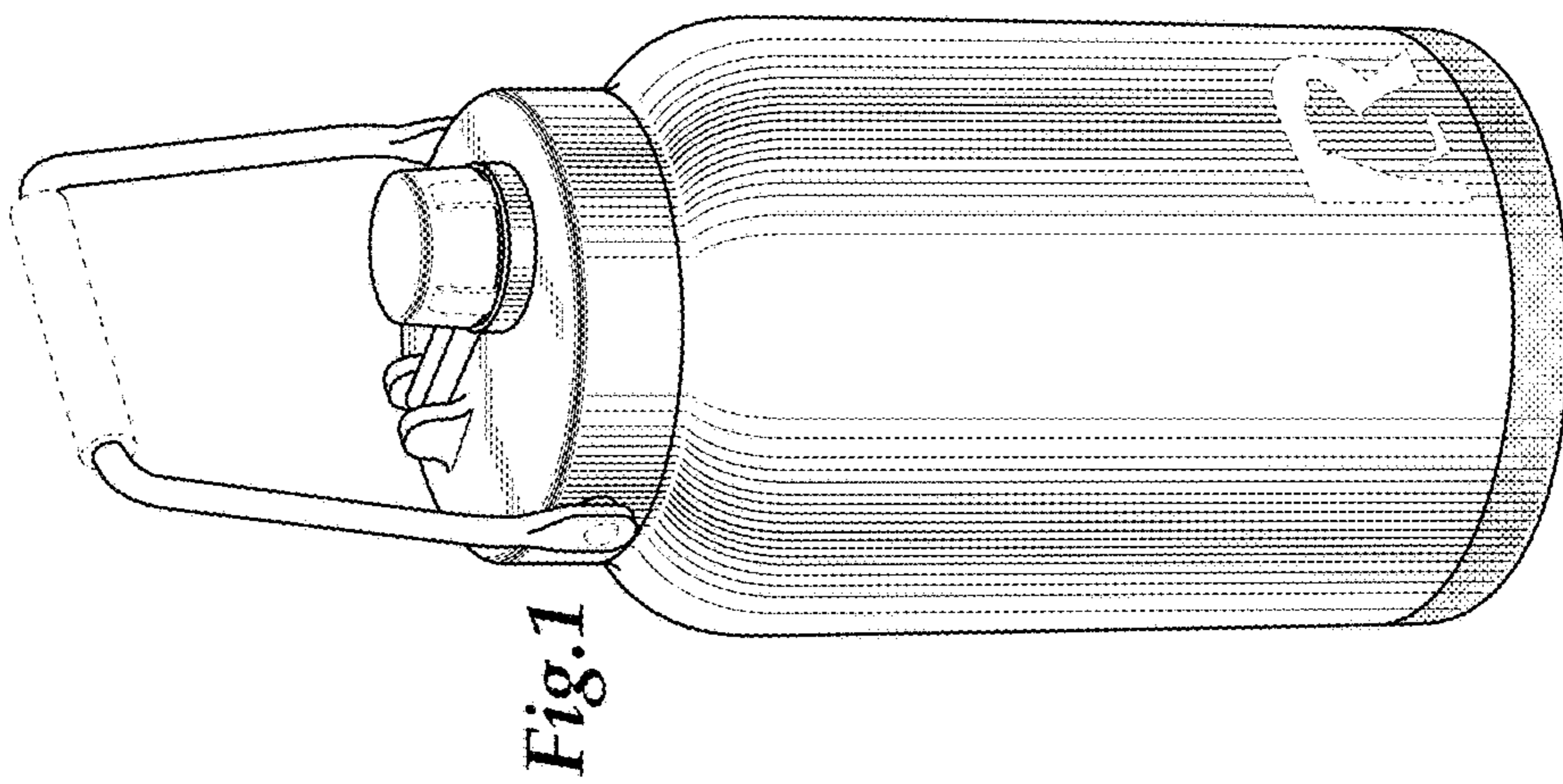
'yeti.com' [online]. "Rambler Half Gallon Jug," Published on or before Oct. 3, 2017, Retrieved from the Internet: URL<<https://www.yeti.com/drinkware/rambler-half-gallon-jug/YRAMHALFJUG.html>>. 10 pages.

U.S. Appl. No. 29/621,121, filed Oct. 4, 2017, Jacobsen.

U.S. Appl. No. 29/621,135, filed Oct. 4, 2017, Jacobsen.

U.S. Appl. No. 29/621,136, filed Oct. 4, 2017, Jacobsen.

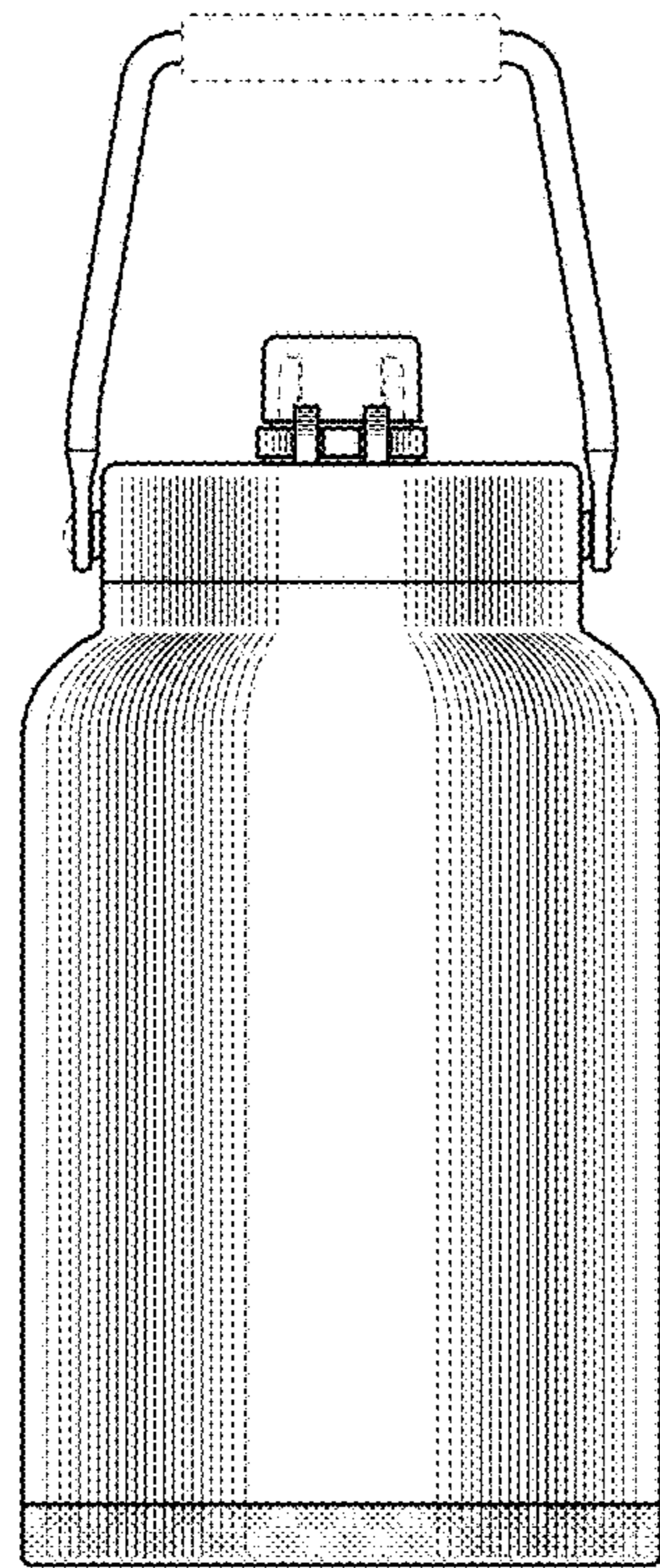
\* cited by examiner



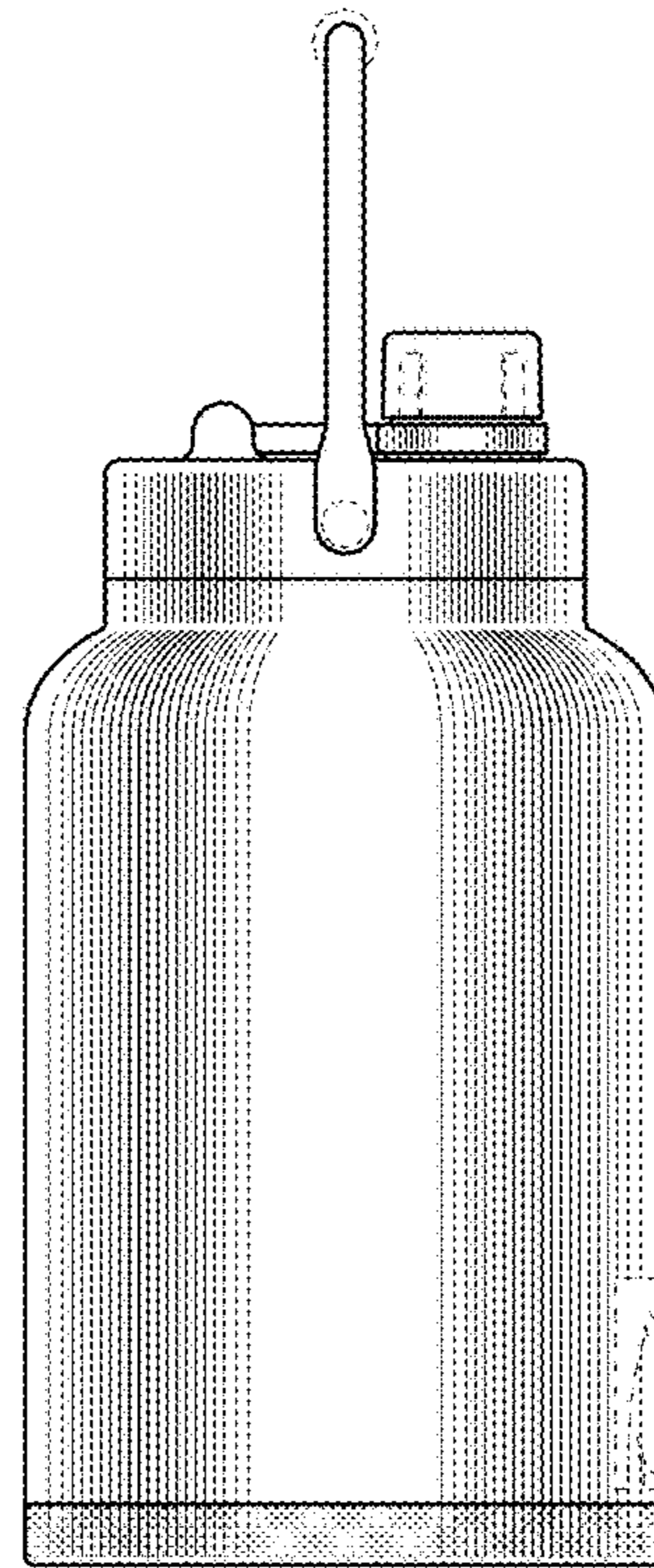
*Fig. 1*

*Fig. 2*

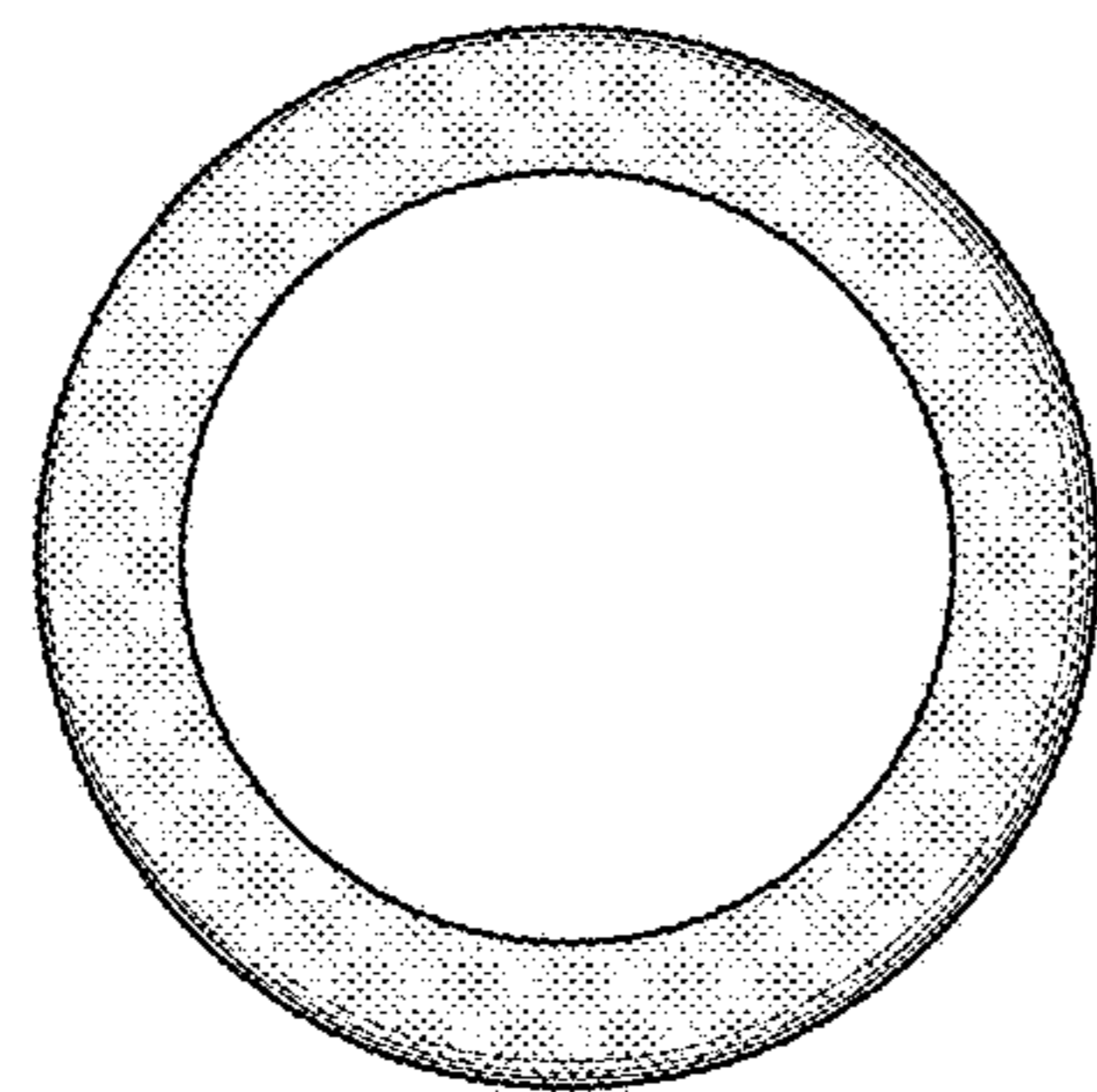
*Fig. 3*



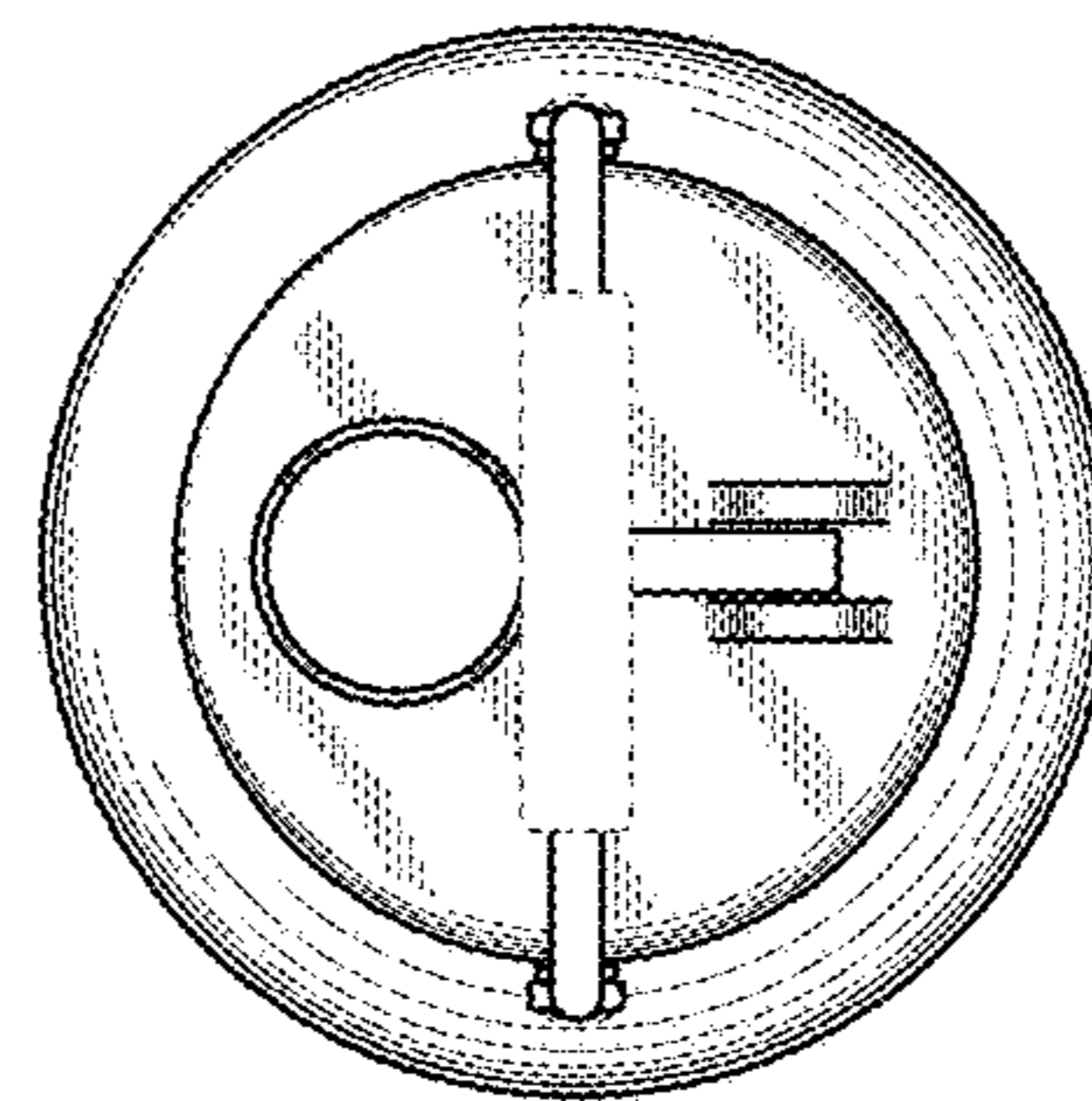
*Fig.4*



*Fig.5*



*Fig.6*



*Fig.7*