



US00D839056S

(12) **United States Design Patent** (10) **Patent No.:** **US D839,056 S**  
**Rane et al.** (45) **Date of Patent:** **\*\* Jan. 29, 2019**

(54) **CONTAINER**

FOREIGN PATENT DOCUMENTS

(71) Applicant: **YETI Coolers, LLC**, Austin, TX (US)

AU 2010100178 A4 3/2010  
CN 201116176 Y 9/2008

(72) Inventors: **Mark Carlson Rane**, Austin, TX (US);  
**Edward Abante**, Austin, TX (US);  
**Andrew Winterhalter**, Austin, TX  
(US); **Desiree Hunter**, Austin, TX  
(US); **Robert Throop**, Austin, TX (US)

(Continued)

OTHER PUBLICATIONS

(73) Assignee: **YETI Coolers, LLC**, Austin, TX (US)

Vaya Tyffyn 1000 ml Insulated Lunch Box w.Bag Mat—Stainless Steel Leak-Resistant Food Storage Container—100% BPA Free, Eco-Friendly & Reusable Lunch Box 23.5 oz (4.2 cups) total capacity [online], [retrieved Nov. 3, 2017], Retrieved from the Internet, URL: <<https://www.amazon.com/dp/B06WGPKLKG1?psc=1>>; 8 color pages, published date unknown, but for purposes of patent prosecution presumably more than a year prior to the filing date of the present application.

(\*\*) Term: **15 Years**

(Continued)

(21) Appl. No.: **29/614,325**

(22) Filed: **Aug. 17, 2017**

(51) **LOC (11) Cl.** ..... **07-01**

*Primary Examiner* — Terry A Wallace

(52) **U.S. Cl.**

(74) *Attorney, Agent, or Firm* — Banner & Witcoff, Ltd.

USPC ..... **D7/608**

(58) **Field of Classification Search**

USPC ..... D7/603–608, 612–615, 629, 630,  
D7/509–511; D9/500, 503, 504, 516,  
D9/434, 559, 575, 541, 549

CPC ..... A45C 11/20; A47J 43/27; A47J 41/028;  
A47J 41/02; A47J 41/022; A47J 41/024;  
A47J 41/026; A47J 41/00; A47J 41/0077;  
A47J 41/0072; B65D 41/04; B65D  
81/3823; B65D 81/3818; B65D 81/3846;  
B65D 1/0215; F25D 3/08

See application file for complete search history.

(57) **CLAIM**

The ornamental design for a container, as shown and described.

**DESCRIPTION**

FIG. 1 is a top, front, left perspective view of a container showing our new design;

FIG. 2 is a bottom, left perspective view thereof;

FIG. 3 is a front view thereof;

FIG. 4 is a rear view thereof;

FIG. 5 is a left side view thereof;

FIG. 6 is a right side view thereof;

FIG. 7 is a top view thereof; and,

FIG. 8 is a bottom view thereof.

The uneven-length broken lines represent unclaimed boundaries of the claimed design. The even-length broken lines showing the remainder of the container represent unclaimed subject matter and form no part of the claimed design.

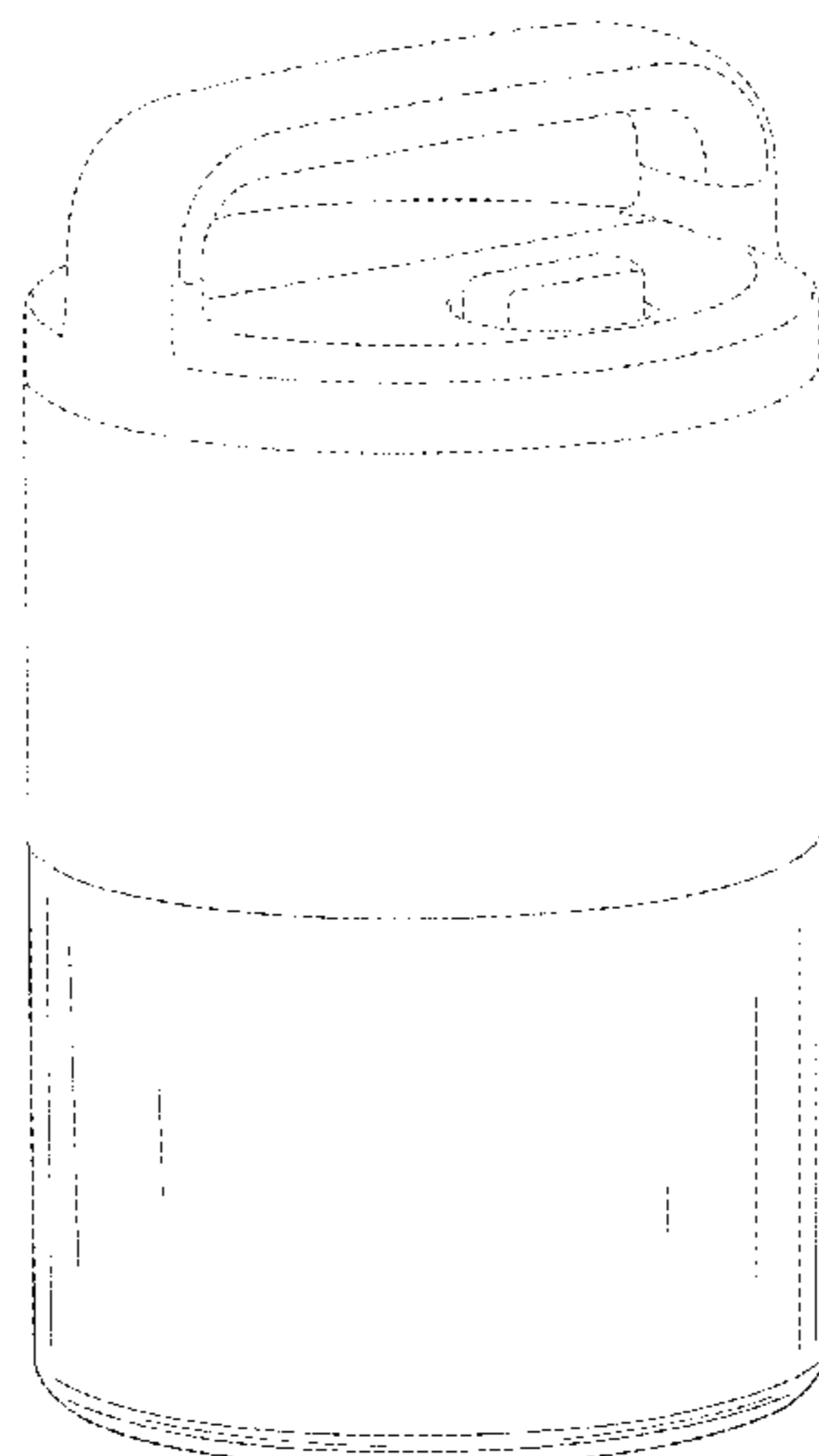
(56) **References Cited**

U.S. PATENT DOCUMENTS

769,615 A 9/1904 Kosansvich  
1,324,653 A 12/1919 Ferdon  
1,362,933 A 12/1920 Ferdon  
1,472,667 A 10/1923 Nelson  
1,573,620 A 2/1926 Allston  
1,871,138 A 8/1932 Ward, Jr.

(Continued)

**1 Claim, 7 Drawing Sheets**



(56)

References Cited

U.S. PATENT DOCUMENTS

2,010,812 A	8/1935	Devine	D635,393 S	4/2011	Nakatani
2,184,336 A	12/1939	Devine	D641,591 S	7/2011	Tsukida
2,488,611 A	11/1949	Stallings	7,988,005 B2	8/2011	Wagner
2,575,770 A	11/1951	Roop	D651,050 S	12/2011	Goshi
2,663,450 A	12/1953	Bourcart	D652,255 S	1/2012	Carland
2,872,095 A	2/1959	Adams	D660,084 S	5/2012	Gilbert
2,960,250 A	11/1960	Haloski	D660,657 S	5/2012	Picozza et al.
3,067,896 A	12/1962	Berg et al.	8,328,014 B2	12/2012	Saunders et al.
3,093,238 A	6/1963	King, III	D675,100 S	1/2013	Herbst
3,117,692 A	1/1964	Carpenter et al.	8,342,349 B2	1/2013	Lu
3,223,279 A	12/1965	Wheaton	8,360,048 B2	1/2013	Ford et al.
3,243,038 A	3/1966	Caramanian	D679,959 S	4/2013	Lane
3,266,623 A	8/1966	Poferl	D682,625 S	5/2013	Lane
3,385,465 A	5/1968	Bliss	D682,626 S	5/2013	Lane
4,242,834 A	1/1981	Olsen	8,448,801 B2	5/2013	Rusnak et al.
4,368,819 A	1/1983	Durham	D685,231 S	7/2013	Lane
D279,346 S *	6/1985	Ruxton ..... D7/321	D685,232 S	7/2013	Lane
4,638,645 A	1/1987	Simila	8,561,825 B1	10/2013	Kino et al.
4,756,424 A	7/1988	Schwartz	8,584,891 B2	11/2013	Hutchinson et al.
4,930,636 A	6/1990	Meadows	D696,079 S	12/2013	Meyers et al.
5,086,926 A	2/1992	Paige et al.	8,631,957 B2	1/2014	Dart et al.
5,154,303 A	10/1992	Jordan	D702,506 S *	4/2014	Mettler ..... D7/608
5,335,809 A	8/1994	Toida et al.	8,701,887 B2	4/2014	Baker et al.
5,386,922 A	2/1995	Jordan	8,783,482 B2	7/2014	Bou Mezrag et al.
D363,642 S	10/1995	Goto et al.	D710,155 S	8/2014	Tatsukawa
5,540,329 A	7/1996	Vogeley	8,800,796 B2	8/2014	Wagner
5,549,039 A	8/1996	Ito et al.	8,857,209 B2	10/2014	Wang
5,669,498 A	9/1997	Fierek et al.	D717,114 S	11/2014	Katterheinrich et al.
5,671,856 A	9/1997	Lisch	8,919,591 B2	12/2014	Cai et al.
5,884,796 A	3/1999	Hallmark	D722,476 S	2/2015	Kilduff et al.
5,890,614 A	4/1999	Dancyger	9,016,508 B1	4/2015	Leighton et al.
5,950,913 A	9/1999	Rea et al.	9,051,095 B2	6/2015	Antal, Sr.
6,029,457 A	2/2000	Neeser et al.	9,102,439 B2	8/2015	Kemper et al.
6,036,801 A	3/2000	Yamada et al.	9,120,598 B2	9/2015	Meyers et al.
6,119,889 A	9/2000	Fujii et al.	9,216,843 B2	12/2015	Sorensen et al.
6,151,910 A	11/2000	Hazen	9,254,063 B2	2/2016	Libourel et al.
6,168,040 B1	1/2001	Sautner et al.	9,278,781 B1	3/2016	Boldis
6,209,725 B1	4/2001	Chen	9,322,588 B2	4/2016	Carroll et al.
6,418,731 B1	7/2002	Anthony	D755,561 S	5/2016	Eyal
6,419,108 B1	7/2002	Toida et al.	D758,859 S	6/2016	Sorensen et al.
6,530,496 B2	3/2003	Moran	D766,668 S	9/2016	Garcia
D476,858 S	7/2003	Slater et al.	9,452,876 B2	9/2016	Anelevitz et al.
D477,752 S	7/2003	Slater et al.	D769,079 S	10/2016	Kotani
6,659,302 B2	12/2003	Lin	D770,239 S	11/2016	Lonner et al.
6,726,047 B2	4/2004	Lin	D770,240 S	11/2016	Stover
D493,677 S	8/2004	Meyer	9,492,024 B2	11/2016	Sorensen et al.
6,779,679 B1	8/2004	Dias, Jr. et al.	D774,362 S	12/2016	Wahl
D497,778 S	11/2004	Rich	D774,837 S	12/2016	Seiders et al.
6,832,705 B2	12/2004	Hollander et al.	9,516,974 B2	12/2016	Reding et al.
7,073,678 B1	7/2006	Dibdin et al.	D775,496 S	1/2017	Szucs et al.
D557,994 S	12/2007	Wahl	D782,253 S	3/2017	Boroski et al.
7,350,657 B2	4/2008	Eaton et al.	D782,881 S	4/2017	Seiders et al.
7,401,708 B2	7/2008	Lin	D783,367 S	4/2017	Seiders et al.
D583,200 S	12/2008	Moran	D783,368 S	4/2017	Seiders et al.
7,487,883 B2	2/2009	Waters	D784,093 S	4/2017	Boroski et al.
D587,534 S	3/2009	Carreno	D784,775 S	4/2017	Seiders et al.
D593,811 S	6/2009	Carreno	D787,317 S	5/2017	Dunn et al.
7,559,274 B2	7/2009	Wilhite	2002/0031462 A1	3/2002	Jorgensen
D609,521 S	2/2010	Holsinger	2004/0124114 A1	7/2004	Sellers
D612,235 S	3/2010	Cresswell et al.	2005/0145633 A1	7/2005	Goto et al.
D612,240 S	3/2010	Cresswell et al.	2006/0186125 A1	8/2006	Tew
7,686,168 B1	3/2010	Smiley et al.	2008/0006642 A1	1/2008	Hidary
7,726,483 B2	6/2010	Ramanujam et al.	2008/0006643 A1	1/2008	Ma
D620,357 S	7/2010	Jewett et al.	2008/0314909 A1	12/2008	Takeo et al.
D620,798 S	8/2010	Cresswell et al.	2009/0057312 A1	3/2009	Beyers, III
D622,089 S	8/2010	Daniel et al.	2009/0071968 A1	3/2009	O'Brien
D622,554 S	8/2010	Carreno	2009/0212059 A1	8/2009	Chen
D623,480 S	9/2010	Moran	2009/0255942 A1	10/2009	Omdoll et al.
D623,481 S	9/2010	Moran	2009/0266737 A1	10/2009	Cole
D623,896 S	9/2010	Wahl et al.	2010/0078435 A1	4/2010	Wang
D626,416 S	11/2010	Cresswell et al.	2010/0089857 A1	4/2010	Dinerstein et al.
D628,486 S	12/2010	Lane	2010/0108694 A1	5/2010	Sedlbauer et al.
D628,857 S	12/2010	Tatsukawa	2011/0163102 A1	7/2011	Haynie
D629,657 S	12/2010	Carreno	2012/0018317 A1	1/2012	Rein
D630,475 S	1/2011	Lu	2012/0037646 A1	2/2012	Dunwoody et al.
			2012/0043334 A1	2/2012	Nowzari
			2013/0008909 A1	1/2013	Terracciano
			2013/0175250 A1	7/2013	Saatkamp et al.
			2013/0248537 A1	9/2013	Lane

(56)

## References Cited

## U.S. PATENT DOCUMENTS

2014/0061210	A1	3/2014	O'Hanley et al.
2014/0091097	A1	4/2014	Lane
2014/0202597	A1	7/2014	Waniuk
2015/0053679	A1	2/2015	Liu
2015/0136797	A1	5/2015	Li
2015/0197390	A1	7/2015	Kurabe et al.
2015/0282652	A1	10/2015	Honarvar et al.
2015/0284138	A1	10/2015	Lane et al.
2015/0366236	A1	12/2015	Inoue
2016/0150902	A1	6/2016	Dokhanian et al.
2016/0214783	A1	7/2016	Xie
2016/0318693	A1	11/2016	Hein et al.
2017/0073147	A1	3/2017	Kuhn

## FOREIGN PATENT DOCUMENTS

CN	102028402	A	4/2011
CN	201855104	U	6/2011
CN	102599799	A	7/2012
CN	103395565	A	11/2013
CN	205498376	U	8/2016
DE	9203581	U1	5/1992
DE	20219646	U1	3/2003
EP	631940	A1	1/1995
EP	1044889	A1	10/2000
EP	1057748	A1	12/2000
ES	2383862	A1	6/2012
GB	2523797	A	9/2015
JP	19970157380		12/1998
JP	19980153576		11/1999
JP	2003024124	A	1/2003
JP	2003144221	A	5/2003
JP	2004337207	A	12/2004
JP	2006042944	A	2/2006
JP	2007313232	A	12/2007
JP	2011254850	A	12/2011
JP	2012070927	A	4/2012
JP	3175589	U	5/2012
JP	2015217158	A	12/2015
JP	20160003528	U	7/2017
KR	200470218	Y1	12/2013
KR	200483708	Y1	6/2017
WO	0128886	A1	4/2001
WO	2005095226	A1	10/2005
WO	2010100773	A1	9/2010
WO	2014086092	A1	6/2014

## OTHER PUBLICATIONS

Zojirushi SL-JAEI4SA Mr. Bento Stainless Steel Lunch Jar, Silver [online], [retrieved Nov. 3, 2017], Retrieved from the Internet, URL: <[https://www.amazon.com/dp/B000246GSE/ref=psdc\\_2457292011\\_t1\\_B06WGPKG1](https://www.amazon.com/dp/B000246GSE/ref=psdc_2457292011_t1_B06WGPKG1)>; 9 color pages, published date unknown but for the purposes of patent prosecution presumably more than a year prior to the filing date of the present application.

Kuuk Vacuum Food thermos Lunch Box Container Jar—58oz / 1.8 quart—Stainless Steel [online], [retrieved Nov. 3, 2017], Retrieved from the Internet, URL: <<https://www.amazon.com/dp/B01FSTCDC0?psc=1>>; 7 color pages, published date unknown but for the purposes of patent prosecution presumably more than a year prior to the filing date of the present application.

Insulated Stainless Steel Food Canisters (2 sizes) [online], [retrieved Nov. 3, 2017], Retrieved from the Internet, URL: <<https://mightynest.com/shop/lunch-gear/food-containers/insulated-food-containers/insulated-stainless-steel-food-canisters-2>>; 3 color pages, published date unknown but for the purposes of patent prosecution presumably more than 3 year prior to the filing date of the present application.

Haers 1500Ml Lunch Box Thermos for Food With Containers Stainless Steel Insulated Food Thermos Lunch Box Hr-1500A-1 [online], [retrieved Nov. 3, 2017], Retrieved from the Internet,

URL: <<https://www.solidrop.net/product/haers-1500ml-lunch-box-thermos-for-food-with-containers-stainless-steel-insulated-food-thermos-lunch-box-hr-1500a-1.html>>; 8 color pages, published date unknown but for the purposes of patent prosecution presumably more than a year prior to the filing date of the present application.

Vacuum Insulated Lunch Box, Thermal Insulating Stainless Steel Lunch Containers, 2.0L (0.53Gal) [online], [retrieved Nov. 3, 2017], Retrieved from the Internet, URL: <<https://www.mylifeunit.com/Vacuum-Insulated-Lunch-Box-Thermal-Insulating-Stainless-Steel-Lunch-Containers-2.0L-0.53Gal>>; 12 color pages, published date unknown but for the purposes of patent prosecution presumably more than a year prior to the filing date of the present application.

650ml Stainless Steel Vacuum Insulation Barrels Boxes Portable Lunch Box Soup Bucket [online], [retrieved Nov. 3, 2017], Retrieved from the Internet, URL: <<http://www.11street.my/productdetail/650ml-stainless-steel-vacuum-insulation-barrels-12481058>>; 3 color pages, published date unknown but for the purposes of patent prosecution presumably more than a year prior to the filing date of the present application.

Insulated Lunch Box with Lunch Bag Stainless Steel Food Carrier/ Food Container/Tiffin Containers Portion Control Containers/ Thermos/Indian Tiffin for Hot Food—Hold Warm for 3 Hours,1.5L [online], [retrieved Nov. 3, 2017], Retrieved from the Internet, URL: <<https://www.amazon.com/Insulated-Stainless-Carrier-Container-Containers/dp/B01N11KHMP>>; 11 color pages, published date unknown but for the purposes of patent prosecution presumably more than a year prior to the filing of the present application.

800ml1600ml Thermos Capacity Portable Vacuum Stew Stainless Steel Beaker Lunch Bento Box Soup Picnic Food Thermos Container Cup [online], [retrieved Nov. 3, 2017], Retrieved from the Internet, URL: <<https://www.aliexpress.com/item/800ml1600ml-Thermos-Capacity-Portable-Vacuum-Stew-Stainless-Steel-Beaker-Lunch-Bento-Box-Soup-Picnic-Food-Thermos/32753576657.html?spm=2114.40010708.433.fqgSYz>>; 3 color pages, published date unknown but for the purposes of patent prosecution presumably more than a year prior to the filing date of the present application.

Haers 1.7L 2.2L Hot Food Thermos 304 Stainless Steel Insulated Thermal Lunch Box with Spoon Thermos Bento with Food Containers [online], [retrieved Nov. 3, 2017], Retrieved from the Internet, URL: <<https://www.aliexpress.com/item/Haers-1-7L-2-2L-Hot-Food-Thermos-Container-304-Stainless-Steel-Insulated-Thermal-Lunch-Box/32558078179.html?spm=2114.40010708.4.34.fqgSYz>>; 3 color pages, published date unknown but for the purposes of patent prosecution presumably more than a year prior to the filing date of the present application.

Flagship Thermos Insulated Stainless Steel Lunch Boxes for Adults 600ml/800ml/1000ml [online], [retrieved Nov. 3, 2017], Retrieved from the Internet, URL: <<http://www.globalsources.com/si/AS/zhejiang-Haoqi/6008831883155/pdtl/Flagship-Thermos-Insulated-Stainless-Steel-Lunch-Boxes/1091882260.htm>>; 3 color pages, published date unknown but for the purposes of patent prosecution presumably more than year prior to the filing date of the present application.

Camel Flasks Stainless Steel Lunch Box, 1.8 Liters [online], [retrieved Nov. 3, 2017], Retrieved from the Internet, URL: <<http://mudrartail.com/product/camel-flasks-stainless-steel-lunch-box-1-8-liters/>>; 3 color pages, published date unknown but for the purposes of patent prosecution presumably more than a year prior to the filing date of the present application.

Power Plus Stainless Steel Containers Lunch Box, 3 Pieces (H55) [online], [retrieved Nov. 3, 2017], Retrieved from the Internet, URL: <<https://www.amazon.in/Power-Plus-Stainless-Containers-3-Pieces/dp/B00IUUDUWQ6>>; 4 color pages, published date unknown but for the purposes of patent prosecution presumably more than a year prior to the filing date of the present application.

Stainless-Steel Vacuum Container, 9 oz. [online], [retrieved Nov. 3, 2017], Retrieved from the Internet, URL: <<https://www.llbean.com/llb/shop/79228?feat=506838-GN3&page=stainless-steel-vacuum-container-9-oz&csp=f>>; 6 color pages, published date unknown but for the purposes of the patent prosecution presumably more than a year prior to the filing date of the present application.

Zojirushi 101 vol. 79, Sep. 2015 [online], [retrieved Nov. 3, 2017], Retrieved from the Internet, URL: <<http://www.zojirushi.com/>>

(56)

**References Cited**

## OTHER PUBLICATIONS

mailmagazine/back\_issue/101toppage\_sep15.html>; 6 color pages, published date unknown but for the purposes of patent prosecution presumably more than a year prior to the filing date of the present application.

Insulated Thermal Bento Lunch Jar Zojirushi Classic [online], [retrieve Nov. 3, 2017], Retrieved from the Internet, URL: ><https://casabento.com/shop/en/bento-boxes-zojirushi/369-insulated-thermal-bento-lunch-jar-zojirushi-classic-4974305197511.html>>; 4 color pages, published date unknown but for the purposes of patent prosecution presumably more than a year prior to the filing date of the present application.

Lunch box—Conservation des aliments [online], [retrieve Nov. 3, 2017], Retrieved from the Internet, URL :[https://www.boulangier.com/c/boite-de-rangement#message\\_code=20](https://www.boulangier.com/c/boite-de-rangement#message_code=20) <<https://www.boulangier.com/c/boite-de-rangement>>; 63 color pages, published date unknown but for the purposes of patent prosecution presumably more than a year prior to the filing date of the present application.

Thermos® 12-Ounce Vacuum-Insulated Food Jar with Microwaveable Container [online], [retrieve Nov. 3, 2017], Retrieved from the Internet, URL: <<https://www.bedbathandbeyond.com/store/product/thermos-reg-12-ounce-vacuum-insulated-food-jar-with-microwaveable-container.1041717943>>; 2 color pages, published date unknown but for the purposes of patent prosecution presumably more than a year prior to the filing date of the present application.

\* cited by examiner

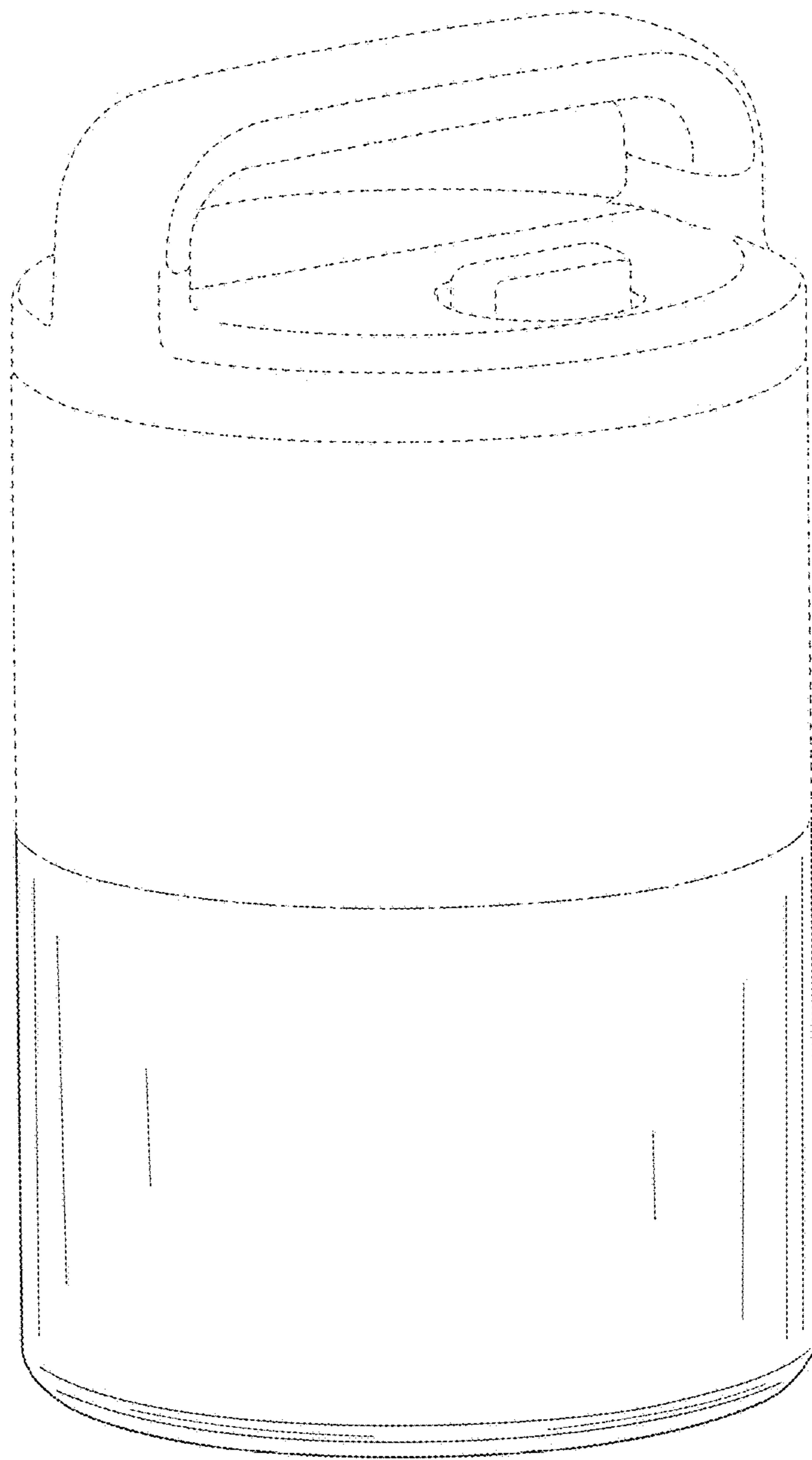


FIG. 1

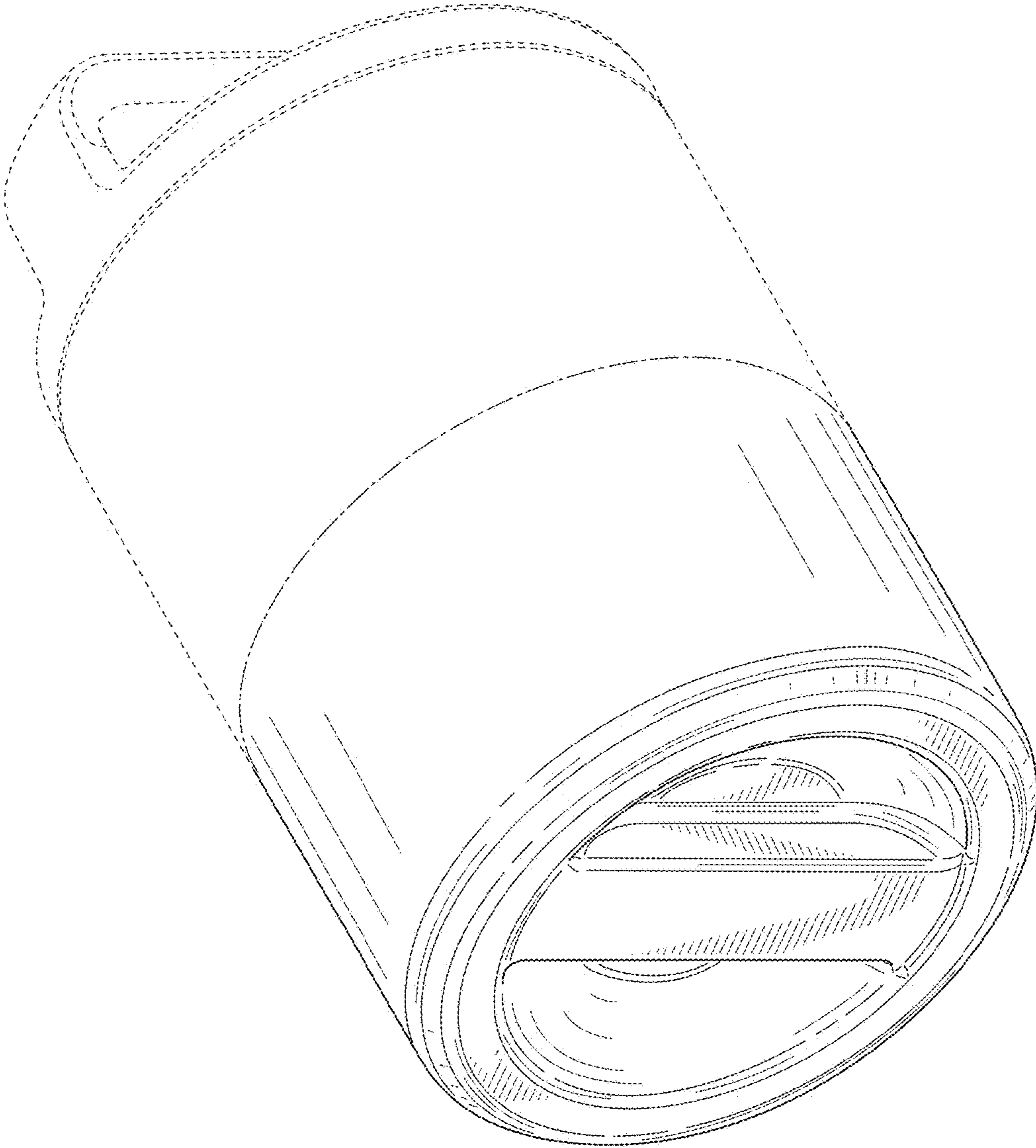


FIG. 2

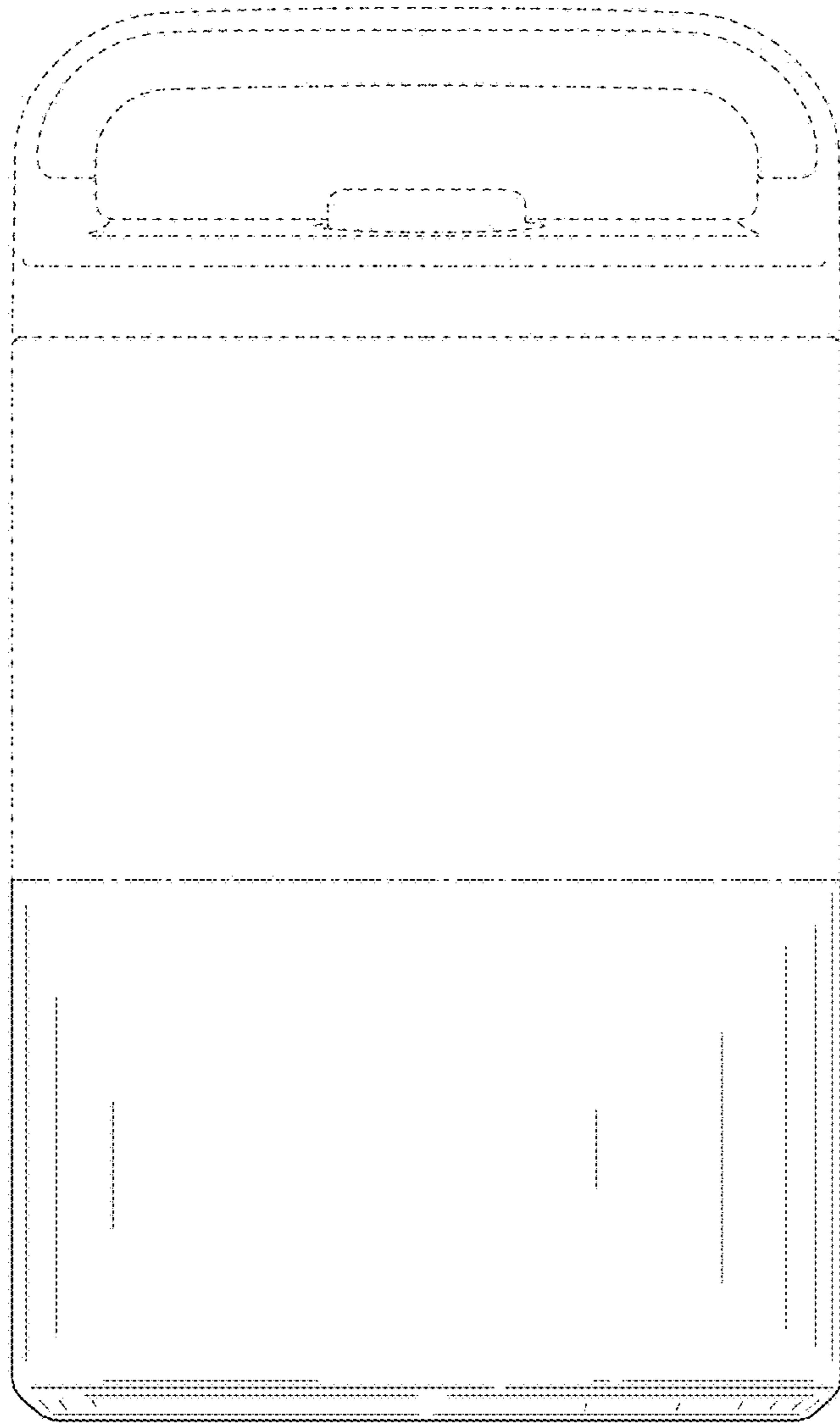


FIG. 3

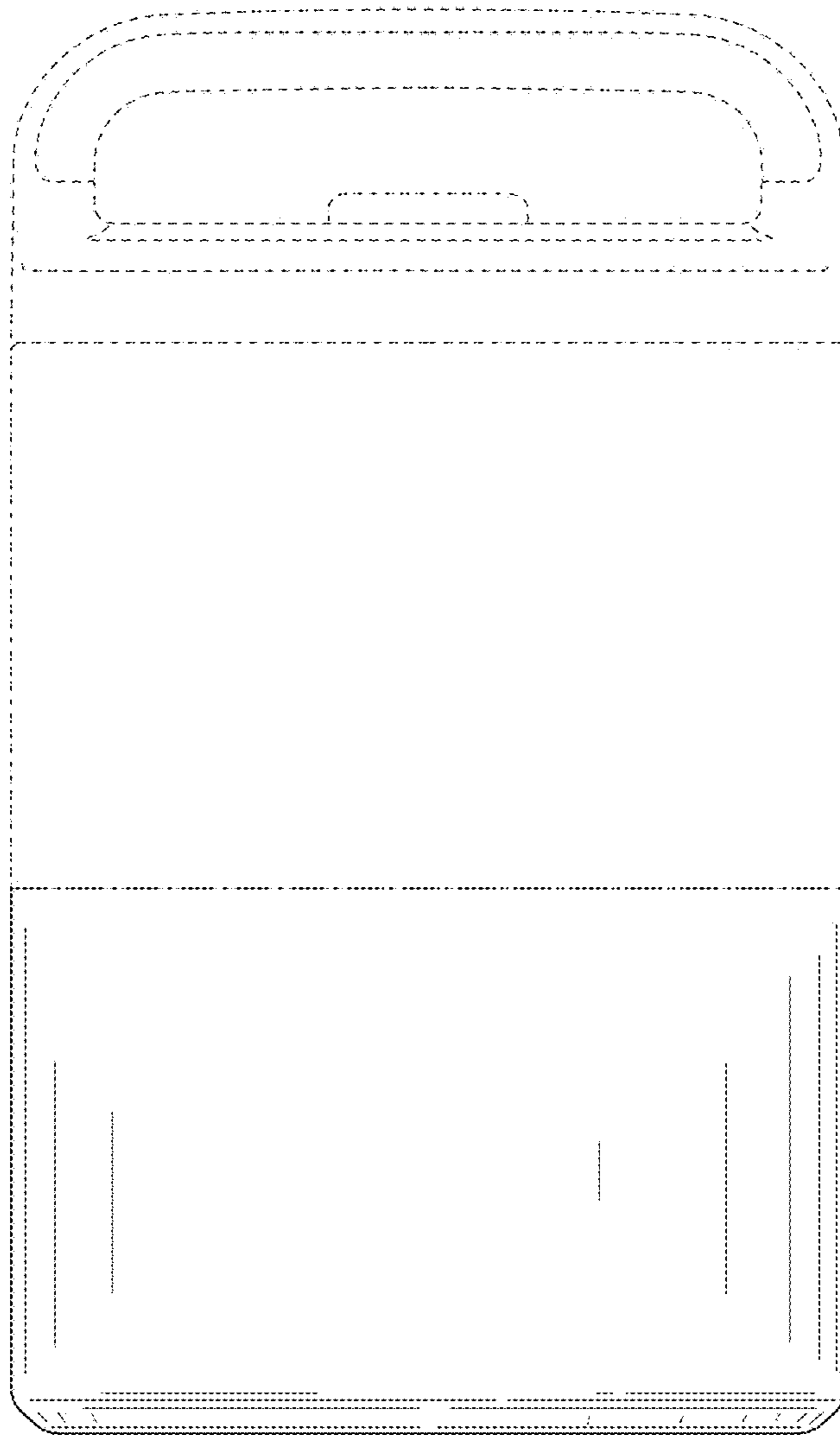


FIG. 4



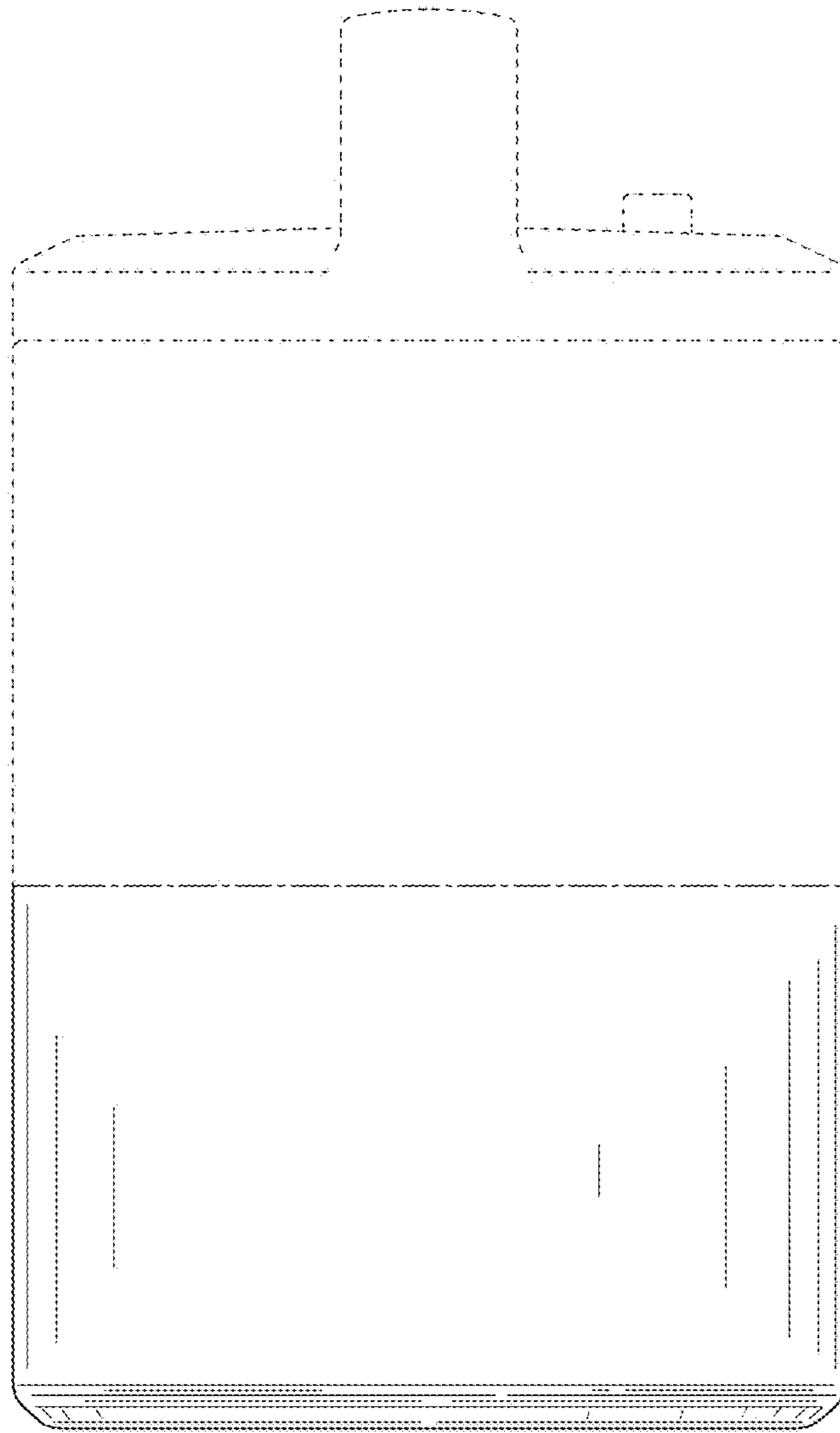


FIG. 5

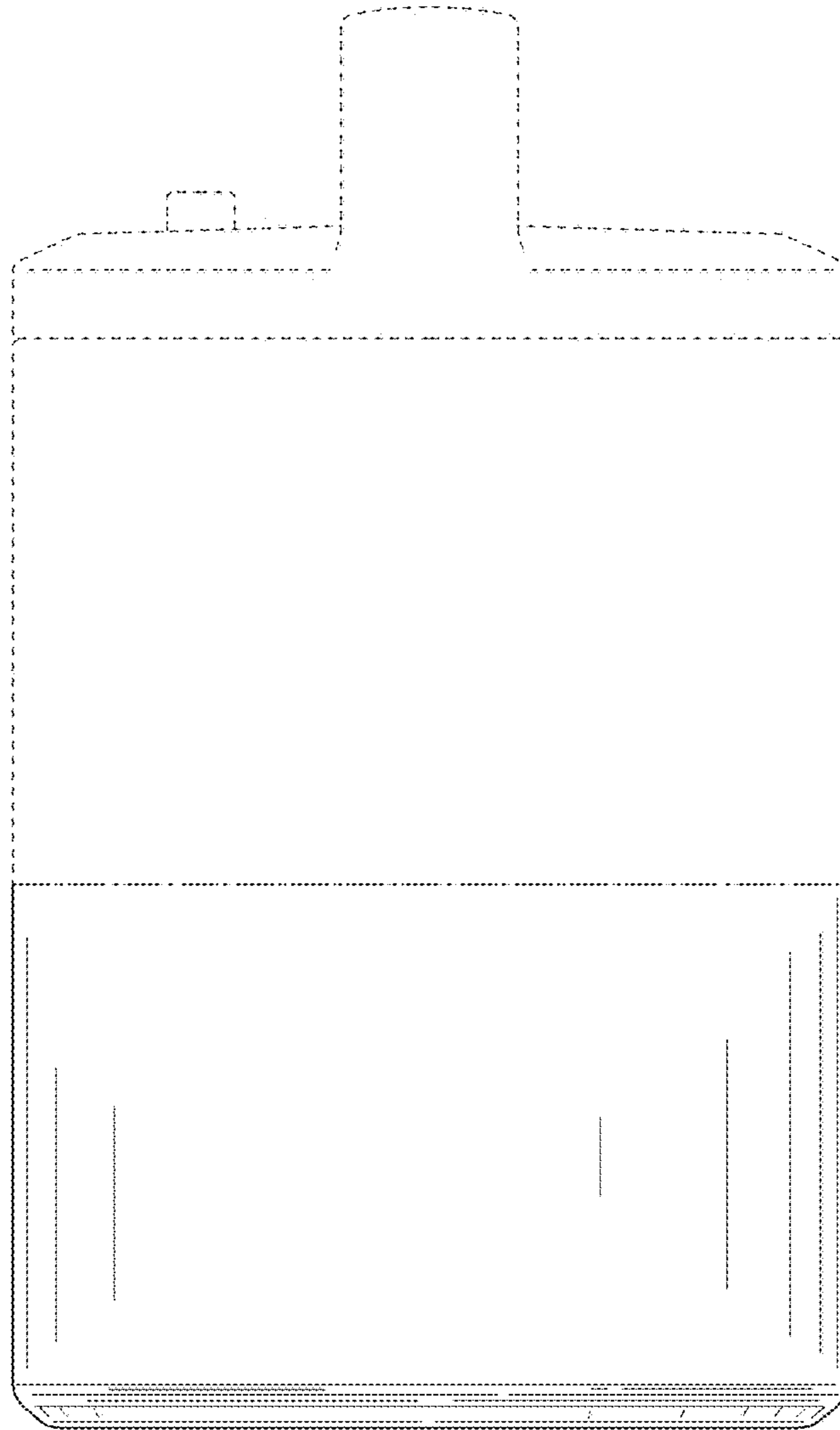


FIG. 6

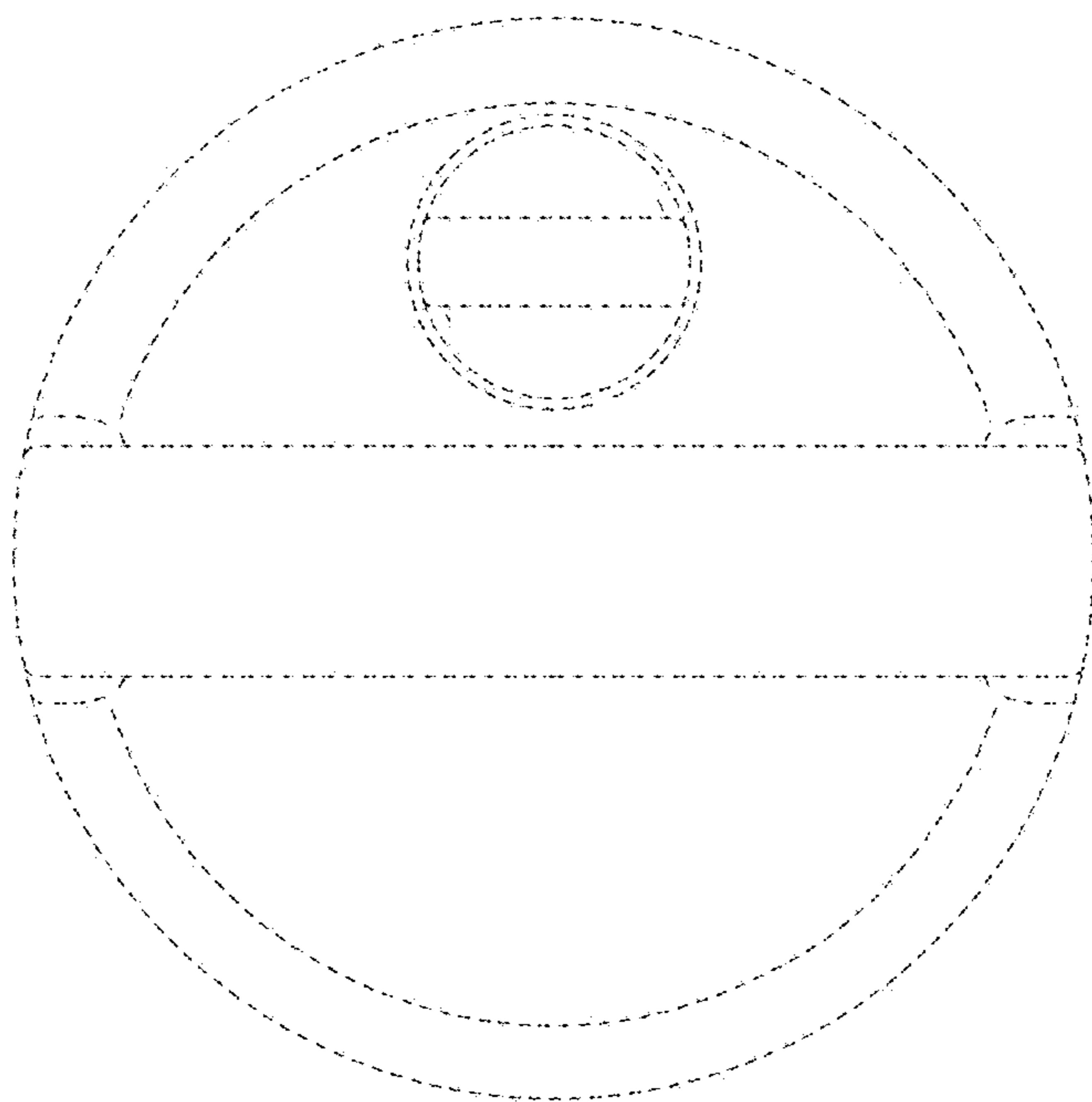


FIG. 7

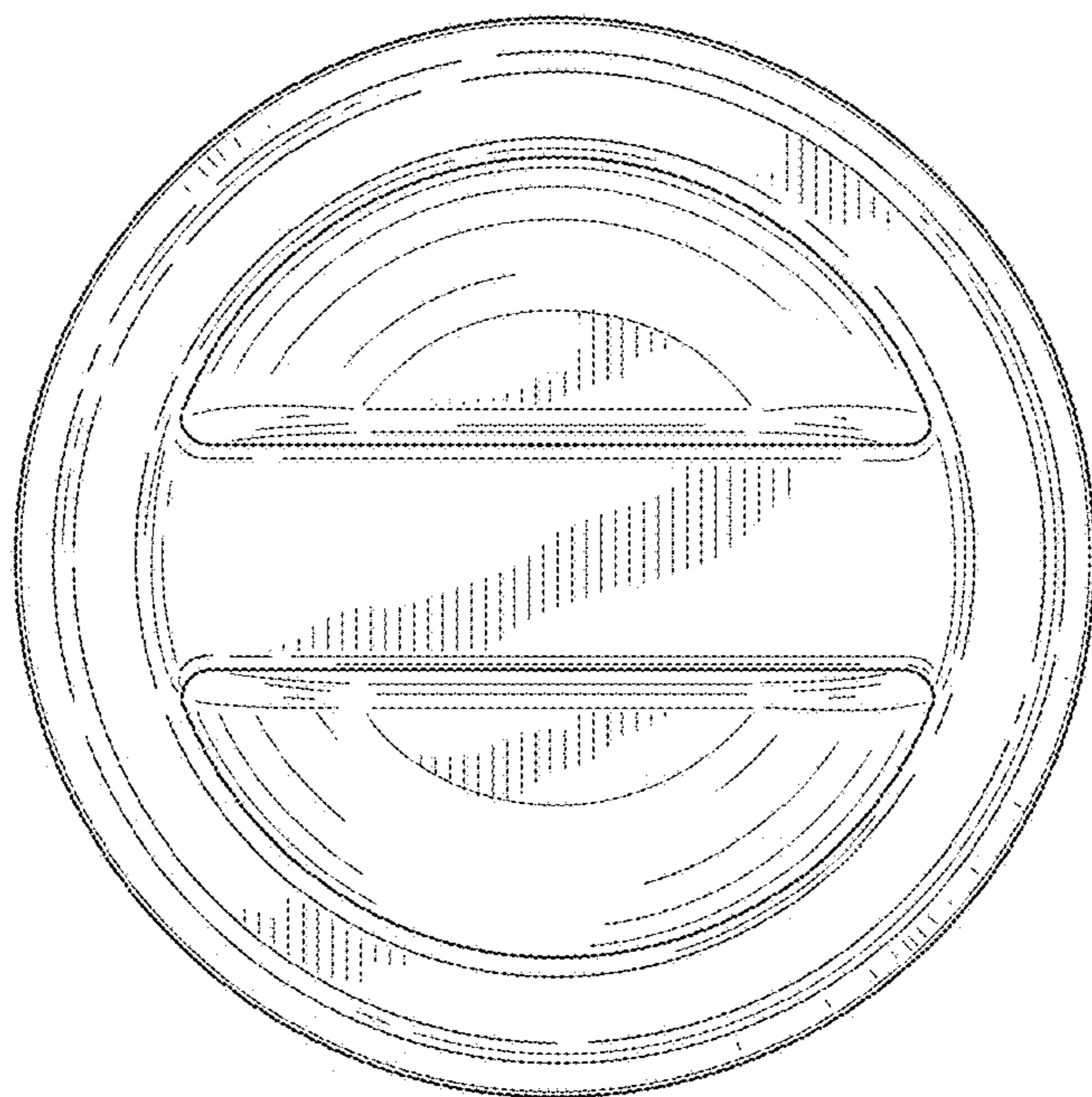


FIG. 8