

US00D839054S

(12) **United States Design Patent** (10) **Patent No.:** **US D839,054 S**
Rane et al. (45) **Date of Patent:** **** Jan. 29, 2019**

(54) **CONTAINER**
(71) Applicant: **YETI Coolers, LLC**, Austin, TX (US)
(72) Inventors: **Mark Carlson Rane**, Austin, TX (US);
Edward Abante, Austin, TX (US);
Andrew Winterhalter, Austin, TX
(US); **Desiree Hunter**, Austin, TX
(US); **Robert Throop**, Austin, TX (US)

2,488,611 A 11/1949 Stallings
2,575,770 A 11/1951 Roop
2,663,450 A 12/1953 Bourcart
(Continued)

FOREIGN PATENT DOCUMENTS

AU 2010100178 A4 3/2010
CN 201116176 Y 9/2008
(Continued)

(73) Assignee: **YETI Coolers, LLC**, Austin, TX (US)
(**) Term: **15 Years**

OTHER PUBLICATIONS

Vaya Tyffyn 1000 ml Insulated Lunch Box w.Bag Mat—Stainless Steel Leak-Resistant Food Storage Container—100% BPA Free, Eco-Friendly & Reusable Lunch Box 23.5 oz (4.2 cups) total capacity [online], [retrieved Nov. 3, 2017], Retrieved from the Internet, URL: <<https://www.amazon.com/dp/B06WGPKG1?psc=1>>; 8 color pages, published date unknown, but for purposes of patent prosecution presumably more than a year prior to the filing date of the present application.

(21) Appl. No.: **29/614,319**
(22) Filed: **Aug. 17, 2017**
(51) **LOC (11) Cl.** **07-01**
(52) **U.S. Cl.**
USPC **D7/608; D7/630**
(58) **Field of Classification Search**
USPC D7/603–608, 612–615, 629, 630,
D7/509–511; D9/500, 503, 504, 516,
D9/434, 549, 559, 575
CPC A45C 11/20; B65D 81/3823; B65D
81/3818; B65D 81/3846; B65D 41/04;
B65D 1/0215; F25D 3/08; A47J 41/02;
A47J 41/028; A47J 41/022; A47J 41/024;
A47J 41/026; A47J 41/00; A47J 41/0077;
A47J 41/0072; A47J 43/27
See application file for complete search history.

(Continued)

Primary Examiner — Terry A Wallace
(74) *Attorney, Agent, or Firm* — Banner & Witcoff, Ltd.

(57) **CLAIM**

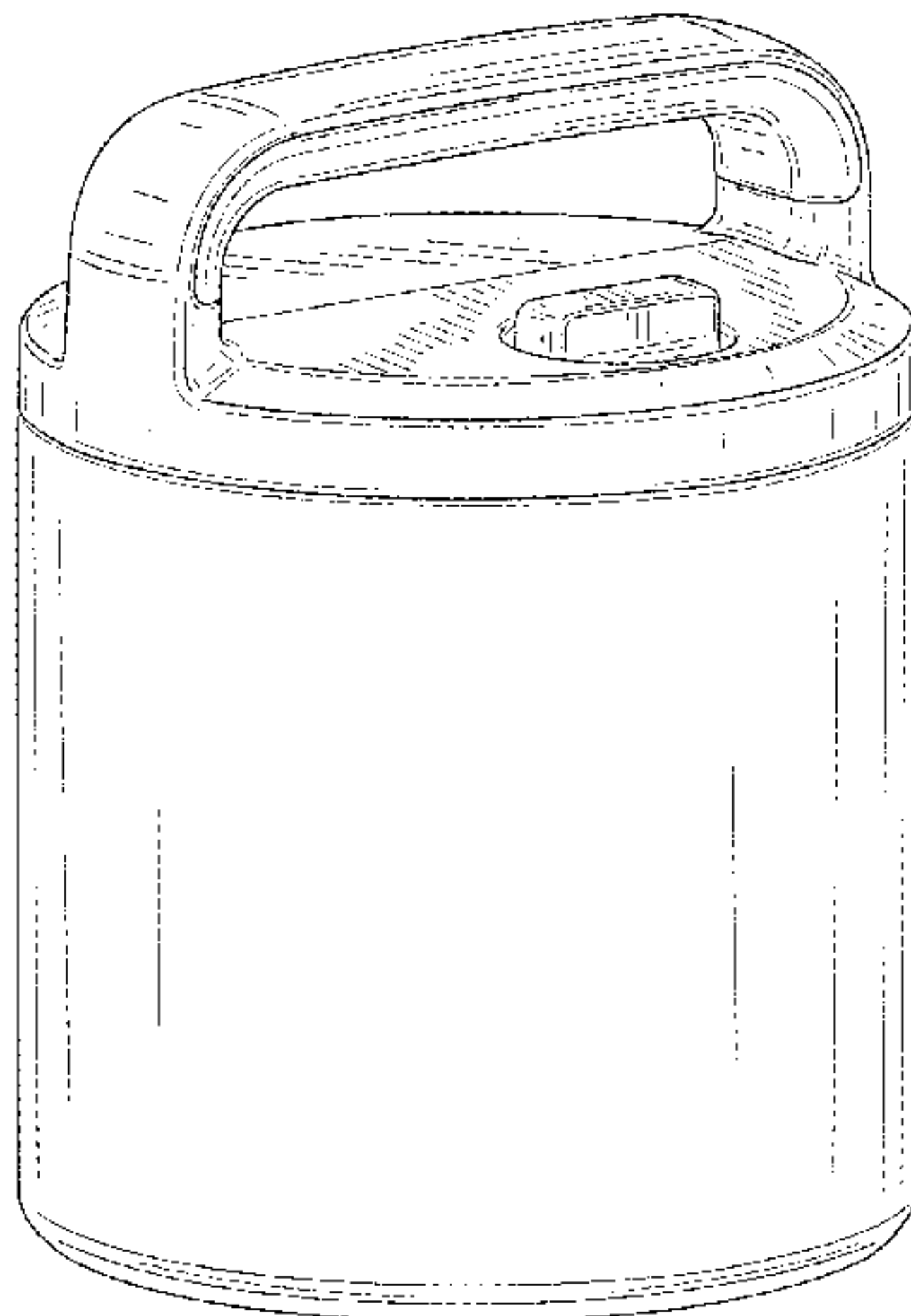
The ornamental design for a container, as shown and described.

DESCRIPTION

FIG. 1 is a top, front, left perspective view of a container showing our new design;
FIG. 2 is a bottom, left perspective view thereof;
FIG. 3 is a front view thereof;
FIG. 4 is a rear view thereof;
FIG. 5 is a left side view thereof;
FIG. 6 is a right side view thereof;
FIG. 7 is a top view thereof; and,
FIG. 8 is a bottom view thereof.

(56) **References Cited**
U.S. PATENT DOCUMENTS
769,615 A 9/1904 Kosansvich
1,324,653 A 12/1919 Ferdon
1,362,933 A 12/1920 Ferdon
1,472,667 A 10/1923 Nelson
1,573,620 A 2/1926 Allston
1,871,138 A 8/1932 Ward, Jr.
2,010,812 A 8/1935 Devine
2,184,336 A 12/1939 Devine

1 Claim, 7 Drawing Sheets



(56)

References Cited

U.S. PATENT DOCUMENTS

2,872,095 A	2/1959	Adams	D660,084 S	5/2012	Gilbert
2,960,250 A	11/1960	Haloski	D660,657 S	5/2012	Picozza et al.
3,067,896 A	12/1962	Berg et al.	8,328,014 B2	12/2012	Saunders et al.
3,093,238 A	6/1963	King, III	D675,100 S	1/2013	Herbst
3,117,692 A	1/1964	Carpenter et al.	8,342,349 B2	1/2013	Lu
3,223,279 A	12/1965	Wheaton	8,360,048 B2	1/2013	Ford et al.
3,243,038 A	3/1966	Caramanian	D679,959 S	4/2013	Lane
3,266,623 A	8/1966	Poferl	D682,625 S	5/2013	Lane
3,385,465 A	5/1968	Bliss	D682,626 S	5/2013	Lane
4,242,834 A	1/1981	Olsen	8,448,801 B2	5/2013	Rusnak et al.
4,368,819 A	1/1983	Durham	D685,231 S	7/2013	Lane
D279,346 S *	6/1985	Ruxton D7/321	D685,232 S	7/2013	Lane
4,638,645 A	1/1987	Simila	8,561,825 B1	10/2013	Kino et al.
4,756,424 A	7/1988	Schwartz	8,584,891 B2	11/2013	Hutchinson et al.
4,930,636 A	6/1990	Meadows	D696,079 S	12/2013	Meyers et al.
5,086,926 A	2/1992	Paige et al.	8,631,957 B2	1/2014	Dart et al.
5,154,303 A	10/1992	Jordan	D702,506 S *	4/2014	Mettler D7/608
5,335,809 A	8/1994	Toida et al.	8,701,887 B2	4/2014	Baker et al.
5,386,922 A	2/1995	Jordan	8,783,482 B2	7/2014	Bou Mezrag et al.
D363,642 S	10/1995	Goto et al.	D710,155 S	8/2014	Tatsukawa
5,540,329 A	7/1996	Vogeley	8,800,796 B2	8/2014	Wagner
5,549,039 A	8/1996	Ito et al.	D713,365 S *	9/2014	Green D13/183
5,669,498 A	9/1997	Fierek et al.	8,857,209 B2	10/2014	Wang
5,671,856 A	9/1997	Lisch	D717,114 S	11/2014	Katterheinrich et al.
5,884,796 A	3/1999	Hallmark	8,919,591 B2	12/2014	Cai et al.
5,890,614 A	4/1999	Dancyger	D722,476 S	2/2015	Kilduff et al.
5,950,913 A	9/1999	Rea et al.	9,016,508 B1	4/2015	Leighton et al.
6,029,457 A	2/2000	Neeser et al.	9,051,095 B2	6/2015	Antal, Sr.
6,036,801 A	3/2000	Yamada et al.	9,102,439 B2	8/2015	Kemper et al.
6,119,889 A	9/2000	Fujii et al.	9,120,598 B2	9/2015	Meyers et al.
6,151,910 A	11/2000	Hazen	9,216,843 B2	12/2015	Sorensen et al.
6,168,040 B1	1/2001	Sautner et al.	9,254,063 B2	2/2016	Libourel et al.
6,209,725 B1	4/2001	Chen	9,278,781 B1	3/2016	Boldis
6,418,731 B1	7/2002	Anthony	9,322,588 B2	4/2016	Carroll et al.
6,419,108 B1	7/2002	Toida et al.	D755,561 S	5/2016	Eyal
6,530,496 B2	3/2003	Moran	D758,859 S	6/2016	Sorensen et al.
D476,858 S	7/2003	Slater et al.	D766,668 S	9/2016	Garcia
D477,752 S	7/2003	Slater et al.	9,452,876 B2	9/2016	Anelevitz et al.
6,659,302 B2	12/2003	Lin	D769,079 S	10/2016	Kotani
6,726,047 B2	4/2004	Lin	D770,239 S	11/2016	Lonner et al.
D493,677 S	8/2004	Meyer	D770,240 S	11/2016	Stover
6,779,679 B1	8/2004	Dias, Jr. et al.	9,492,024 B2	11/2016	Sorensen et al.
D497,778 S	11/2004	Rich	D774,362 S	12/2016	Wahl
6,832,705 B2	12/2004	Hollander et al.	D774,837 S	12/2016	Seiders et al.
7,073,678 B1	7/2006	Dibdin et al.	9,516,974 B2	12/2016	Herling et al.
D557,994 S	12/2007	Wahl	D775,496 S	1/2017	Szucs et al.
7,350,657 B2	4/2008	Eaton et al.	D782,253 S	3/2017	Boroski et al.
7,401,708 B2	7/2008	Lin	D782,881 S	4/2017	Seiders et al.
D583,200 S	12/2008	Moran	D783,367 S	4/2017	Seiders et al.
7,487,883 B2	2/2009	Waters	D783,368 S	4/2017	Seiders et al.
D587,534 S	3/2009	Carreno	D784,093 S	4/2017	Boroski et al.
D593,811 S	6/2009	Carreno	D784,775 S	4/2017	Seiders et al.
7,559,274 B2	7/2009	Wilhite	D787,317 S	5/2017	Dunn et al.
D609,521 S	2/2010	Holsinger	2002/0031462 A1	3/2002	Jorgensen
D612,235 S	3/2010	Cresswell et al.	2004/0124114 A1	7/2004	Sellers
D612,240 S	3/2010	Cresswell et al.	2005/0145633 A1	7/2005	Goto et al.
7,686,168 B1	3/2010	Smiley et al.	2006/0186125 A1	8/2006	Tew
7,726,483 B2	6/2010	Ramanujam et al.	2008/0006642 A1	1/2008	Hidary
D620,357 S	7/2010	Jewett et al.	2008/0006643 A1	1/2008	Ma
D620,798 S	8/2010	Cresswell et al.	2008/0314909 A1	12/2008	Takeo et al.
D622,089 S	8/2010	Daniel et al.	2009/0057312 A1	3/2009	Beyers, III
D622,554 S	8/2010	Carreno	2009/0071968 A1	3/2009	O'Brien
D623,480 S	9/2010	Moran	2009/0212059 A1	8/2009	Chen
D623,481 S	9/2010	Moran	2009/0255942 A1	10/2009	Omdoll et al.
D623,896 S	9/2010	Wahl et al.	2009/0266737 A1	10/2009	Cole
D626,416 S	11/2010	Cresswell et al.	2010/0078435 A1	4/2010	Wang
D628,486 S	12/2010	Lane	2010/0089857 A1	4/2010	Dinerstein et al.
D628,857 S	12/2010	Tatsukawa	2010/0108694 A1	5/2010	Sedlbauer et al.
D629,657 S	12/2010	Carreno	2011/0163102 A1	7/2011	Haynie
D630,475 S	1/2011	Lu	2011/0186585 A1 *	8/2011	Lu A47J 41/00 220/575
D635,393 S	4/2011	Nakatani	2012/0018317 A1	1/2012	Rein
D641,591 S	7/2011	Tsukida	2012/0037646 A1	2/2012	Dunwoody et al.
7,988,005 B2	8/2011	Wagner	2012/0043334 A1	2/2012	Nowzari
D651,050 S	12/2011	Goshi	2013/0008909 A1	1/2013	Terracciano
D652,255 S	1/2012	Carland	2013/0175250 A1	7/2013	Saatkamp et al.
			2013/0248537 A1	9/2013	Lane
			2014/0061210 A1	3/2014	O'Hanley et al.
			2014/0091097 A1	4/2014	Lane

(56)

References Cited

U.S. PATENT DOCUMENTS

2014/0202597	A1	7/2014	Waniuk
2015/0053679	A1	2/2015	Liu
2015/0136797	A1	5/2015	Li
2015/0197390	A1	7/2015	Kurabe et al.
2015/0282652	A1	10/2015	Honarvar et al.
2015/0284138	A1	10/2015	Lane et al.
2015/0366236	A1	12/2015	Inoue
2016/0150902	A1	6/2016	Dokhanian et al.
2016/0214783	A1	7/2016	Kie
2016/0318693	A1	11/2016	Hein et al.
2017/0073147	A1	3/2017	Kuhn

FOREIGN PATENT DOCUMENTS

CN	102028402	A	4/2011
CN	201855104	U	6/2011
CN	102599799	A	7/2012
CN	103395565	A	11/2013
CN	205498376	U	8/2016
DE	9203581	U1	5/1992
DE	20219646	U1	3/2003
EP	631940	A1	1/1995
EP	1044889	A1	10/2000
EP	1057748	A1	12/2000
ES	2383862	A1	6/2012
GB	2523797	A	9/2015
JP	19970157380		12/1998
JP	19980153576		11/1999
JP	2003024124	A	1/2003
JP	2003144221	A	5/2003
JP	2004337207	A	12/2004
JP	2006042944	A	2/2006
JP	2007313232	A	12/2007
JP	2011254850	A	12/2011
JP	2012070927	A	4/2012
JP	3175589	U	5/2012
JP	2015217158	A	12/2015
JP	20160003528	U	7/2017
KR	200470218	Y1	12/2013
KR	200483708	Y1	6/2017
WO	0128886	A1	4/2001
WO	2005095226	A1	10/2005
WO	2010100773	A1	9/2010
WO	2014086092	A1	6/2014

OTHER PUBLICATIONS

Zojirushi SL-JAEI4SA Mr. Bento Stainless Steel Lunch Jar, Silver [online], [retrieved Nov. 3, 2017], Retrieved from the Internet, URL: <https://www.amazon.com/dp/B000246GSE/ref=psdc_2457292011_t1_B06WGPLKG1>; 9 color pages, published date unknown but for the purposes of patent prosecution presumably more than a year prior to the filing date of the present application.

Kuuk Vacuum Food thermos Lunch Box Container Jar—58oz / 1.8 quart—Stainless Steel [online], [retrieved Nov. 3, 2017], Retrieved from the Internet, URL: <<https://www.amazon.com/dp/B01FSTCDC0?psc=1>>; 7 color pages, published date unknown but for the purposes of patent prosecution presumably more than a year prior to the filing date of the present application.

Insulated Stainless Steel Food Canisters (2 sizes) [online], [retrieved Nov. 3, 2017], Retrieved from the Internet, URL: <https://mightynest.com/shop/lunch-gear/food-containers/insulated-food-containers/insulated-stainless-steel-food-canisters-2>>; 3 color pages, published date unknown but for the purposes of patent prosecution presumably more than a year prior to the filing date of the present application.

Haers 1500Ml Lunch Box Thermos for Food With Containers Stainless Steel Insulated Food Thermos Lunch Box Hr-1500A-1 [online], [retrieved Nov. 3, 2017], Retrieved from the Internet, URL: <[https://www.solidrop.net/product/haers-1500ml-lunch-box-thermos-for-food-with-containers-stainless-steel-insulated-food-](https://www.solidrop.net/product/haers-1500ml-lunch-box-thermos-for-food-with-containers-stainless-steel-insulated-food-thermos-lunch-box-hr-1500a-1.html)

[thermos-lunch-box-hr-1500a-1.html](https://www.solidrop.net/product/haers-1500ml-lunch-box-thermos-lunch-box-hr-1500a-1.html)>; 8 color pages, published date unknown but for the purposes of patent prosecution presumably more than a year prior to the filing date of the present application.

Vacuum Insulated Lunch Box, Thermal Insulating Stainless Steel Lunch Containers, 2.0L (0.53Gal) [online], [retrieved Nov. 3, 2017], Retrieved from the Internet, URL: <<https://www.mylifeunit.com/Vacuum-Insulated-Lunch-Box-Thermal-Insulating-Stainless-Steel-Lunch-Containers-2.0L-0.53Gal>>; 12 color pages, published date unknown but for the purposes of patent prosecution presumably more than a year prior to the filing date of the present application.

650ml Stainless Steel Vacuum Insulation Barrels Boxes Portable Lunch Box Soup Bucket [online], [retrieved Nov. 3, 2017], Retrieved from the Internet, URL: <<http://www.11street.my/productdetail/650ml-stainless-steel-vacuum-insulation-barrels-12481058>>; 3 color pages, published date unknown but for the purposes of patent prosecution presumably more than a year prior to the filing date of the present application.

Insulated Lunch Box with Lunch Bag Stainless Steel Food Carrier/ Food Container/Tiffin Containers Portion Control Containers/ Thermos/Indian Tiffin for Hot Food—Hold Warm for 3 Hours, 1.5L [online], [retrieved Nov. 3, 2017], Retrieved from the Internet, URL: <<https://www.amazon.com/Insulated-Stainless-Carrier-Container-Containers/dp/B01N11KHMP>>; 11 color pages, published date unknown but for the purposes of patent prosecution presumably more than a year prior to the filing date of the present application.

800ml1600ml Thermos Capacity Portable Vacuum Stew Stainless Steel Beaker Lunch Bento Box Soup Picnic Food Thermos Container Cup [online], [retrieved Nov. 3, 2017], Retrieved from the Internet, URL: <<https://www.aliexpress.com/item/800ml1600ml-Thermos-Capacity-Portable-Vacuum-Stew-Stainless-Steel-Beaker-Lunch-Bento-Box-Soup-Picnic-Food-Thermos/32753576657.html?spm=2114.40010708.4.33.fqgSYz>>; 3 color pages, published date unknown but for the purposes of patent prosecution presumably more than a year prior to the filing date of the present application.

Haers 1.7L 2.2L Hot Food Themes 304 Stainless Steel Insulated Thermal Lunch Box with Spoon Thermos Bento with Food Containers [online], [retrieved Nov. 3, 2017], Retrieved from the Internet, URL: <<https://www.aliexpress.com/item/Haers-1-7L-2-2L-Hot-Food-Thermos-Container-304-Stainless-Steel-Insulated-Thermal-Lunch-Box/32558078179.html?spm=2114.40010708.4.34.fqgSYz>>; 3 color pages, published date unknown but for the purposes of patent prosecution presumably more than a year prior to the filing date of the present application.

Flagship Thermos Insulated Stainless Steel Lunch Boxes for Adults 600ml/800ml/1000ml [online], [retrieved Nov. 3, 2017], Retrieved from the Internet, URL: <<http://www.globalsources.com/si/AS/zhejiang-Haoqi/6008831883155/pdtl/Flagship-Thermos-Insulated-Stainless-Steel-Lunch-Boxes/1091882260.htm>>; 3 color pages, published date unknown but for the purposes of patent prosecution presumably more than a year prior to the filing date of the present application.

Camel Flasks Stainless Steel Lunch Box, 1.8 Liters [online], [retrieved Nov. 3, 2017], Retrieved from the Internet, URL: <<http://mudraretail.com/product/camel-flasks-stainless-steel-lunch-box-1-8-liters/>>; 3 color pages, published date unknown but for the purposes of patent prosecution presumably more than a year prior to the filing date of the present application.

Power Plus Stainless Steel Containers Lunch Box, 3-Pieces (H55) [online], [retrieved Nov. 3, 2017], Retrieved from the Internet, URL: <<https://www.amazon.in/Power-Plus-Stainless-Containers-3-Pieces/dp/B00IUDUWQ6>>; 4 color pages, published date unknown but for the purposes of patent prosecution presumably more than a year prior to the filing date of the present application.

Stainless-Steel Vacuum Container, 9 oz. [online], [retrieved Nov. 3, 2017], Retrieved from the Internet, URL: <<https://www.llbean.com/llb/shop/79228?feat=506838-GN3&page=stainless-steel-vacuum-container-9-oz&csp=f>>; 6 color pages, published date unknown but for the purposes of patent prosecution presumably more than a year prior to the filing date of the present application.

Zojirushi 101 vol. 79, Sep. 2015 [online], [retrieved Nov. 3, 2017], Retrieved from the Internet, URL: <http://www.zojirushi.com/mailmagazine/back_issue/101toppage_sep15.html>; 6 color pages,

(56)

References Cited

OTHER PUBLICATIONS

published date unknown but for the purposes of patent prosecution presumably more than a year prior to the filing date of the present application.

Insulated Thermal Bento Lunch Jar Zojirushi Classic [online], [retrieve Nov. 3, 2017], Retrieved from the Internet, URL: <<https://casabento.com/shop/en/bento-boxes-zojirushi/369-insulated-thermal-bento-lunch-jar-zojirushi-classic-4974305197511.html>>; 4 color pages, published date unknown but for the purposes of patent prosecution presumably more than a year prior to the filing date of the present application.

Lunch box—Conservation des aliments [online], [retrieve Nov. 3, 2017], Retrieved from the Internet, URL : https://www.boulangier.com/c/boite-de-rangement#message_code=20 <<https://www.boulangier.com/c/boite-de-rangement>>; 63 color pages, published date unknown but for the purposes of patent prosecution presumably more than a year prior to the filing date of the present application.

Thermos® 12-Ounce Vacuum-Insulated Food Jar with Microwaveable Container [online], [retrieve Nov. 3, 2017], Retrieved from the Internet, URL: <<https://www.bedbathandbeyond.com/store/product/thermos-reg-12-ounce-vacuum-insulated-food-jar-with-microwaveable-container/1041717943>>; 2 color pages, published date unknown but for the purposes of patent prosecution presumably more than a year prior to the filing date of the present application.

* cited by examiner

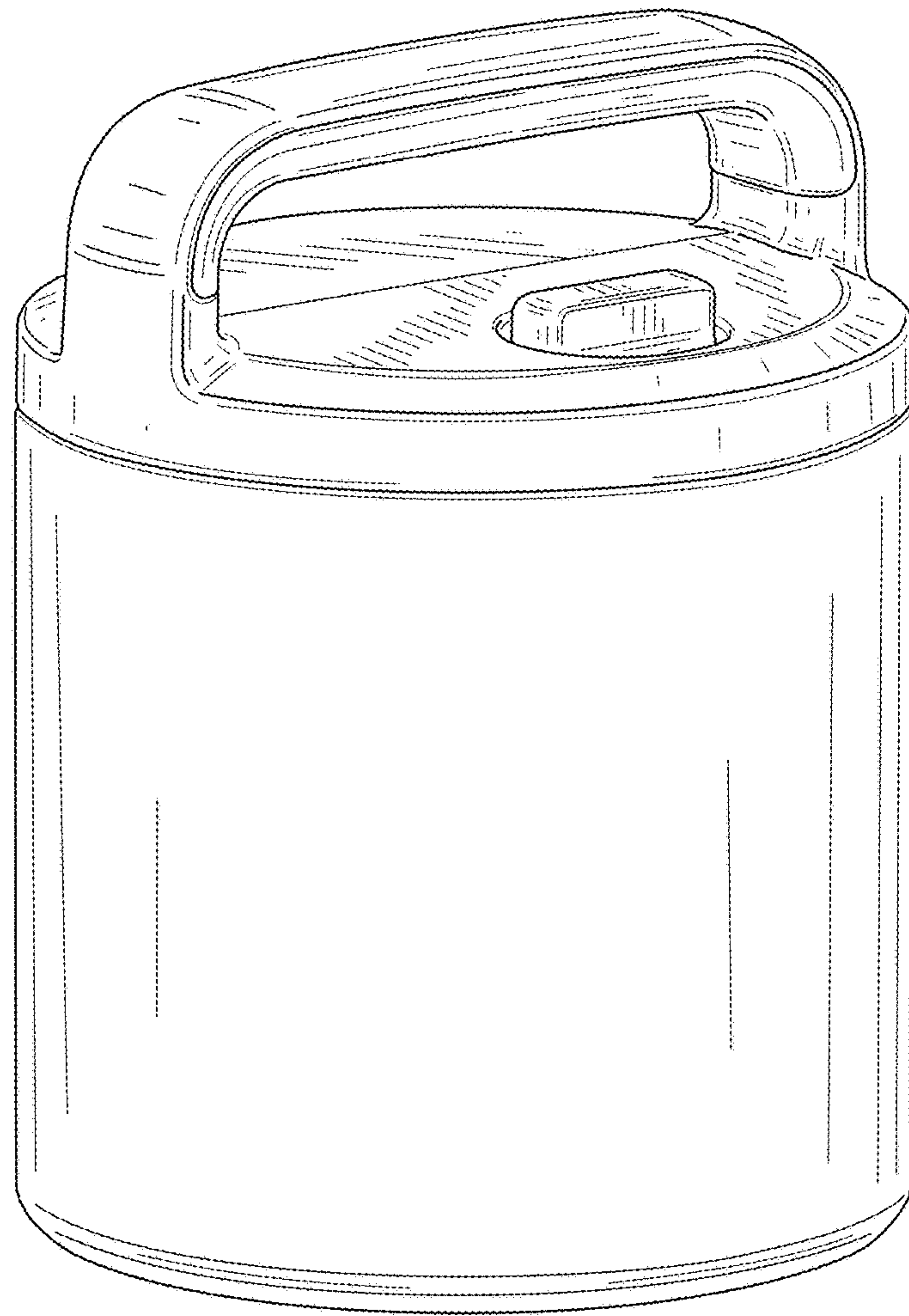


FIG. 1

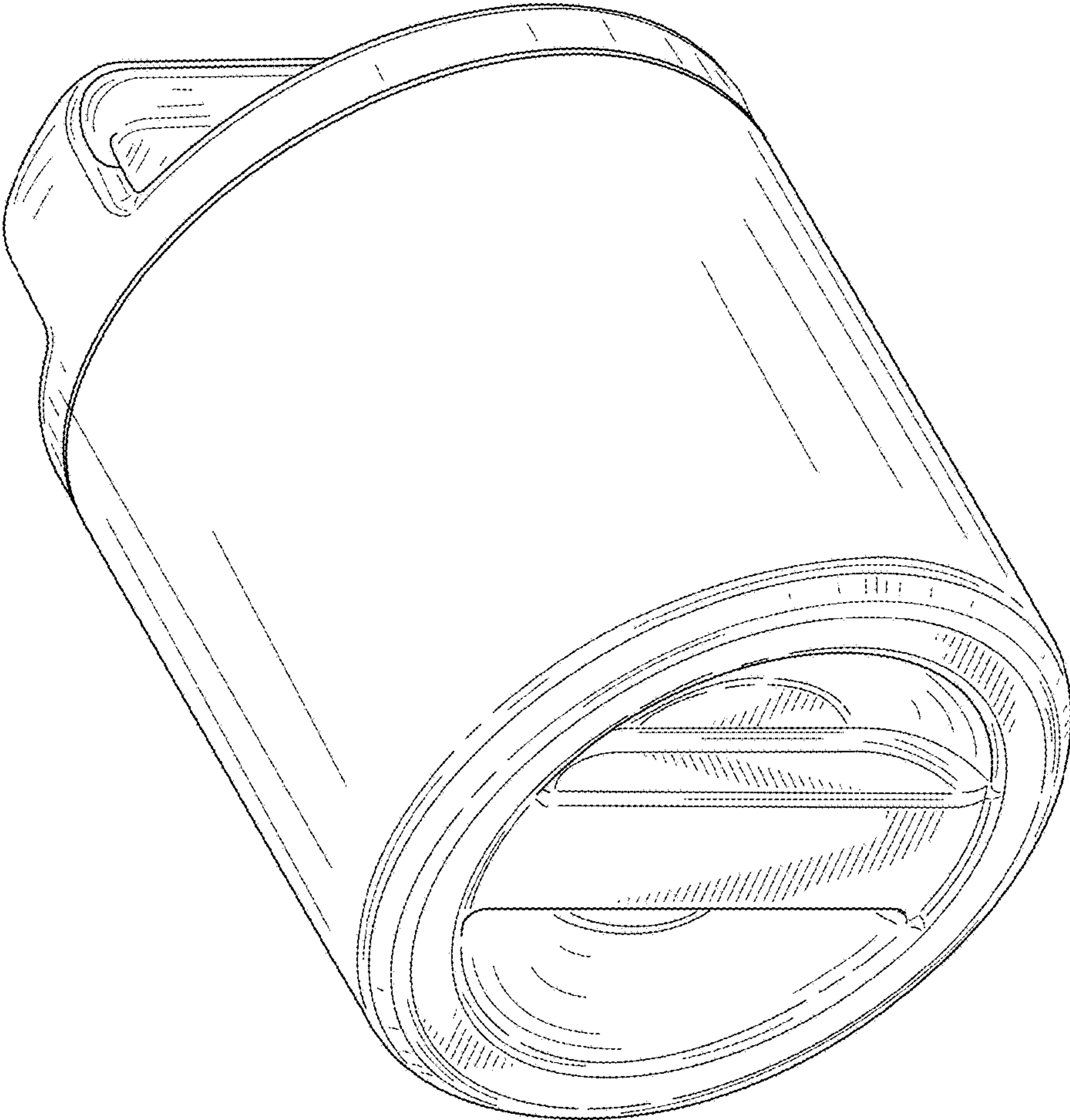


FIG. 2

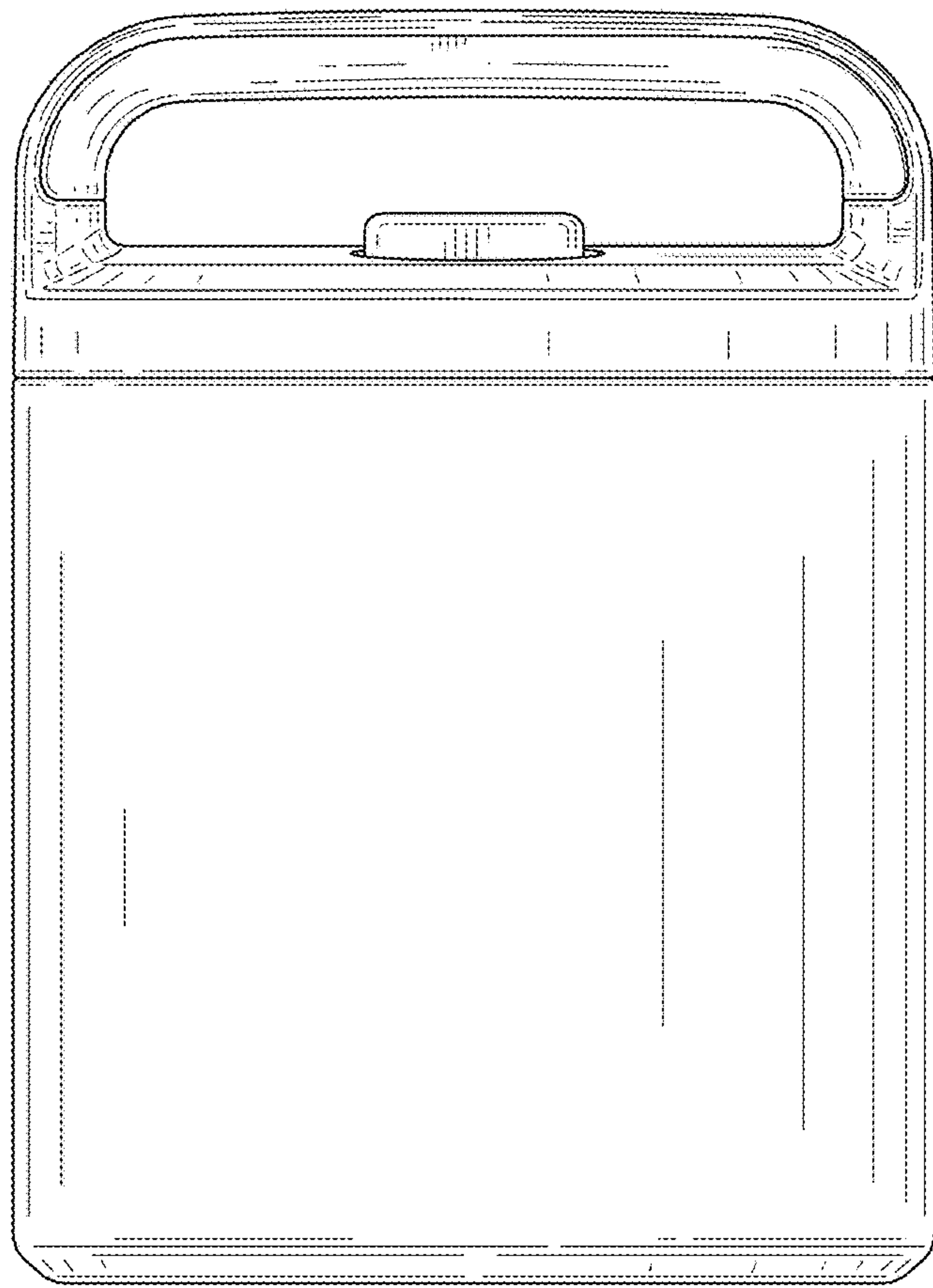


FIG. 3

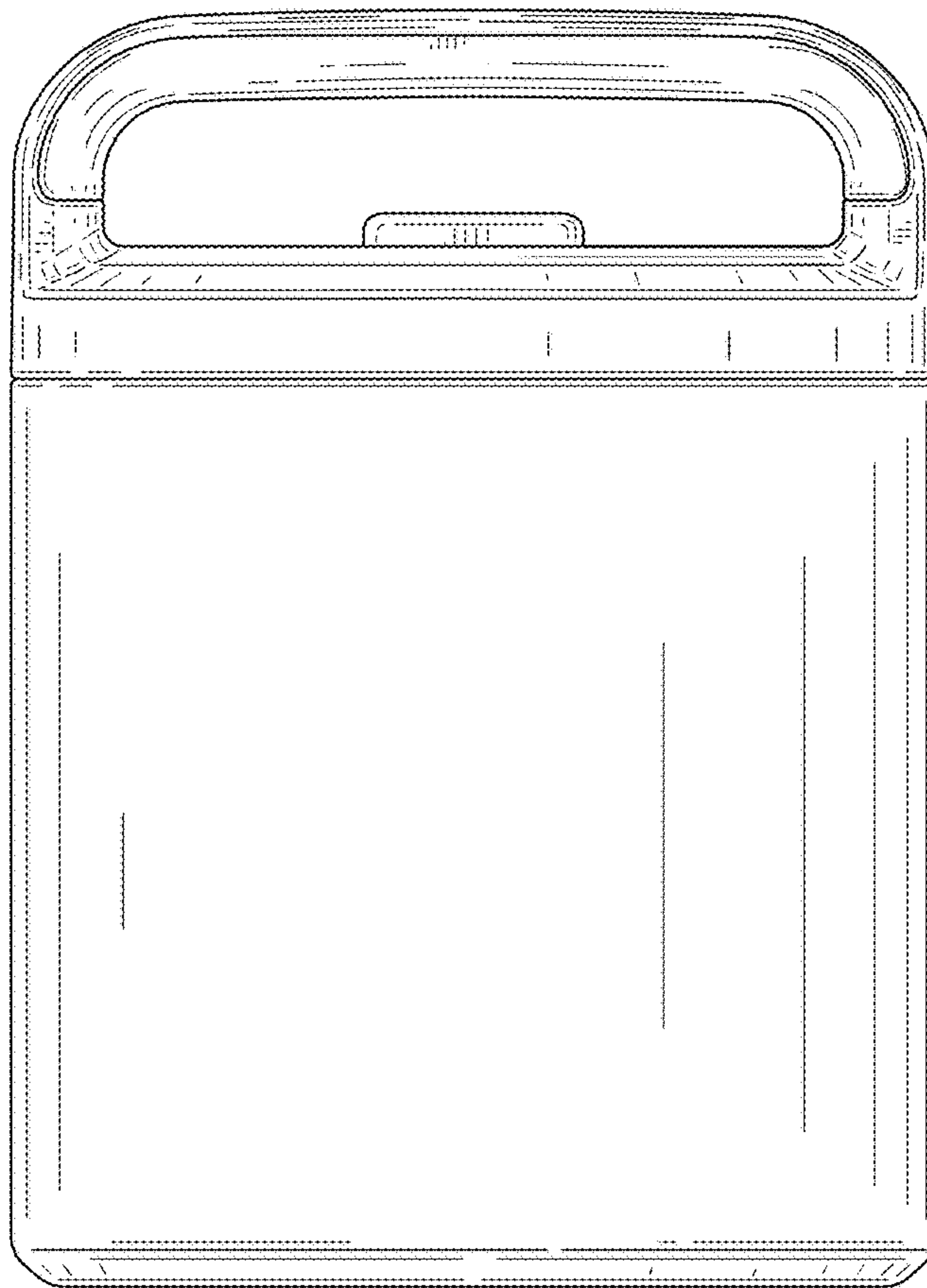


FIG. 4

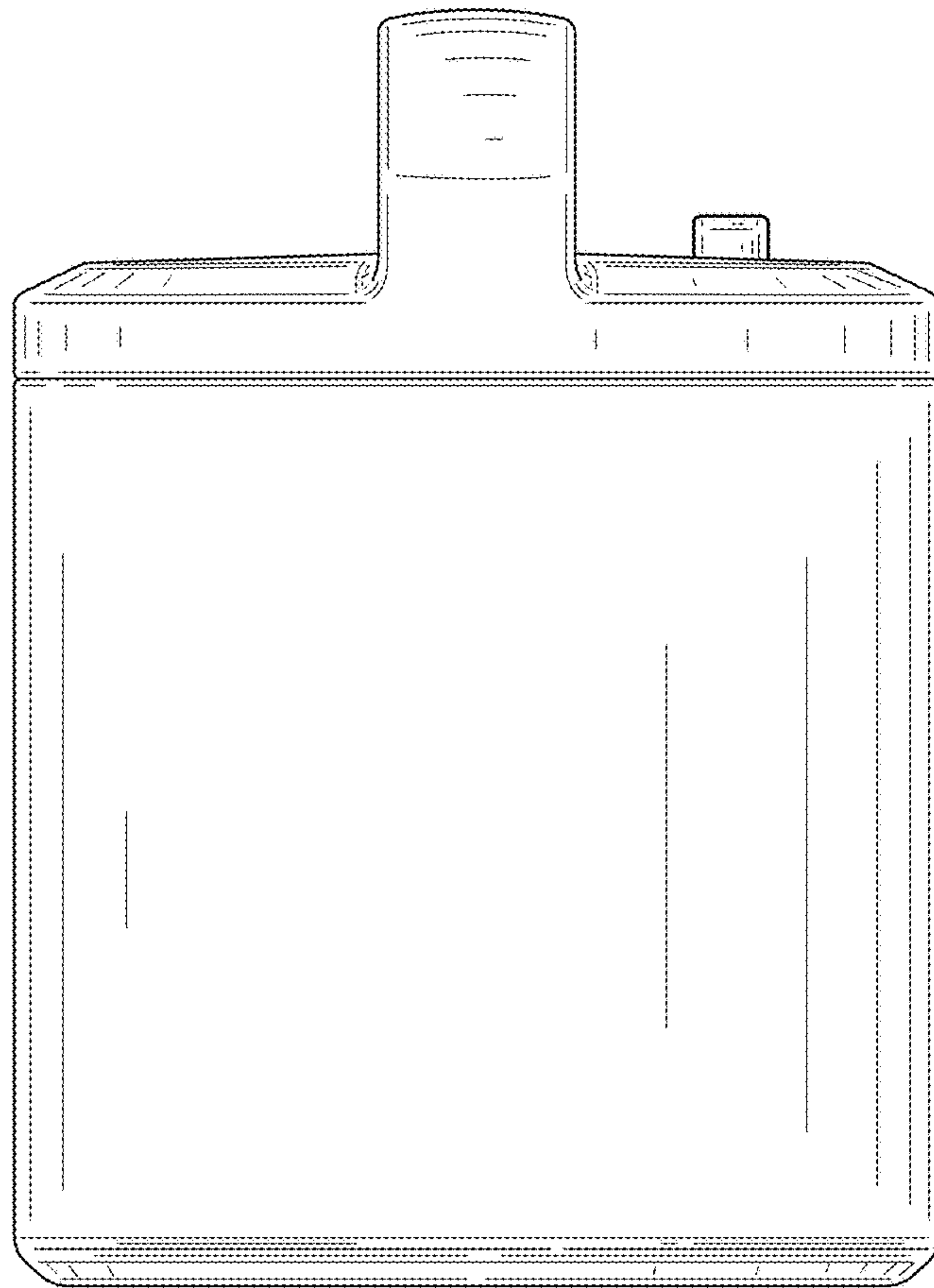


FIG. 5

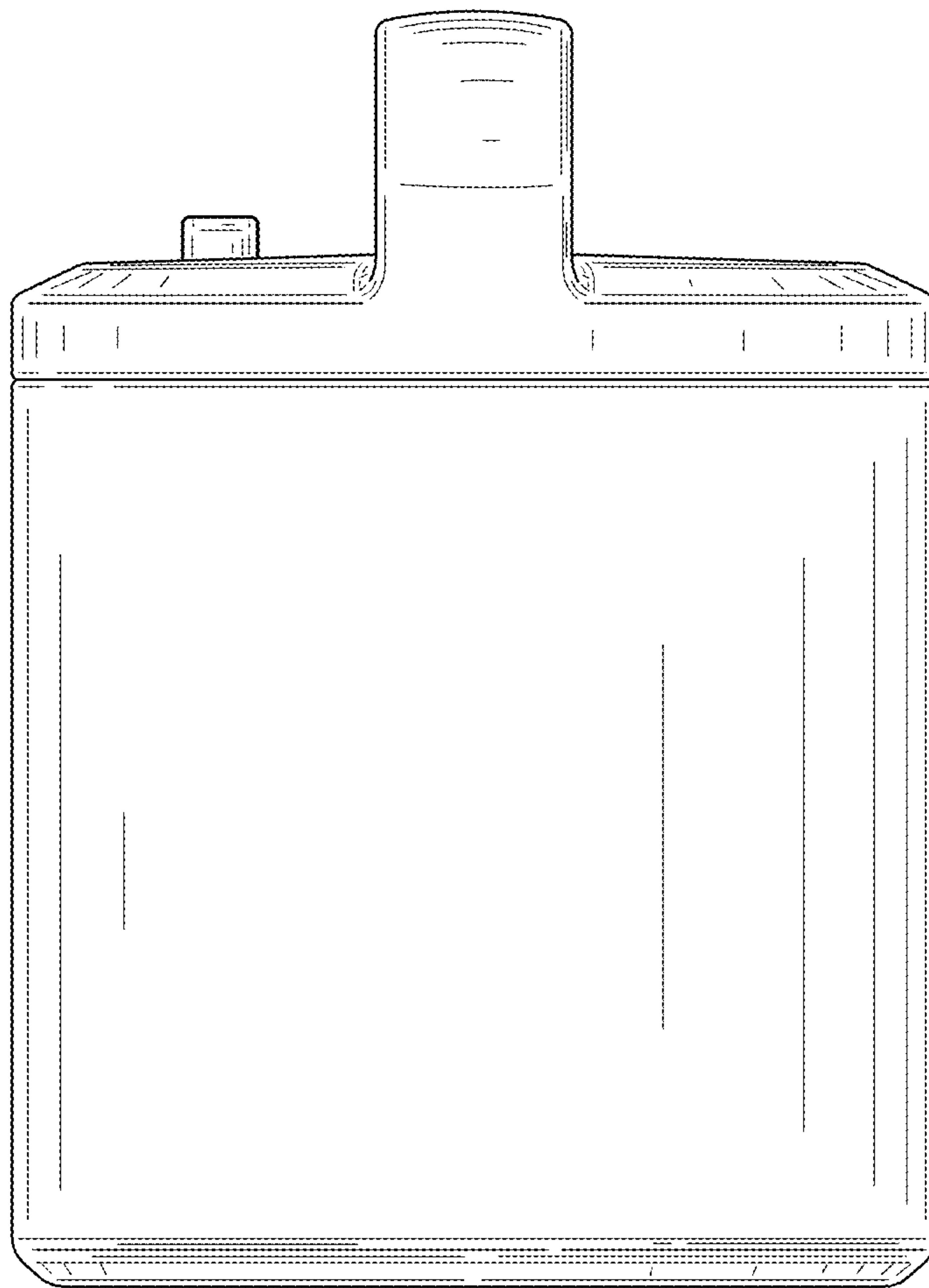


FIG. 6

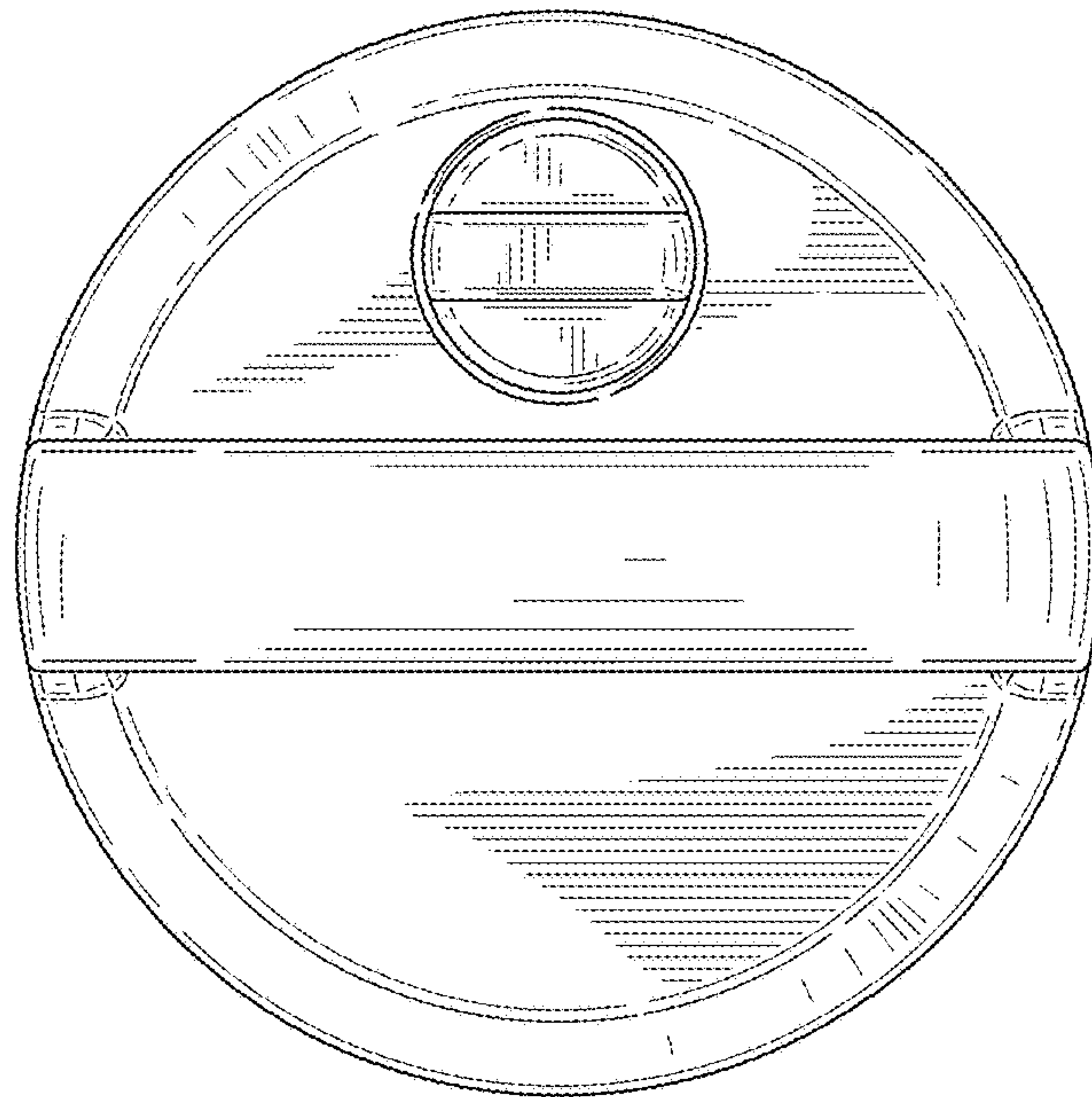


FIG. 7

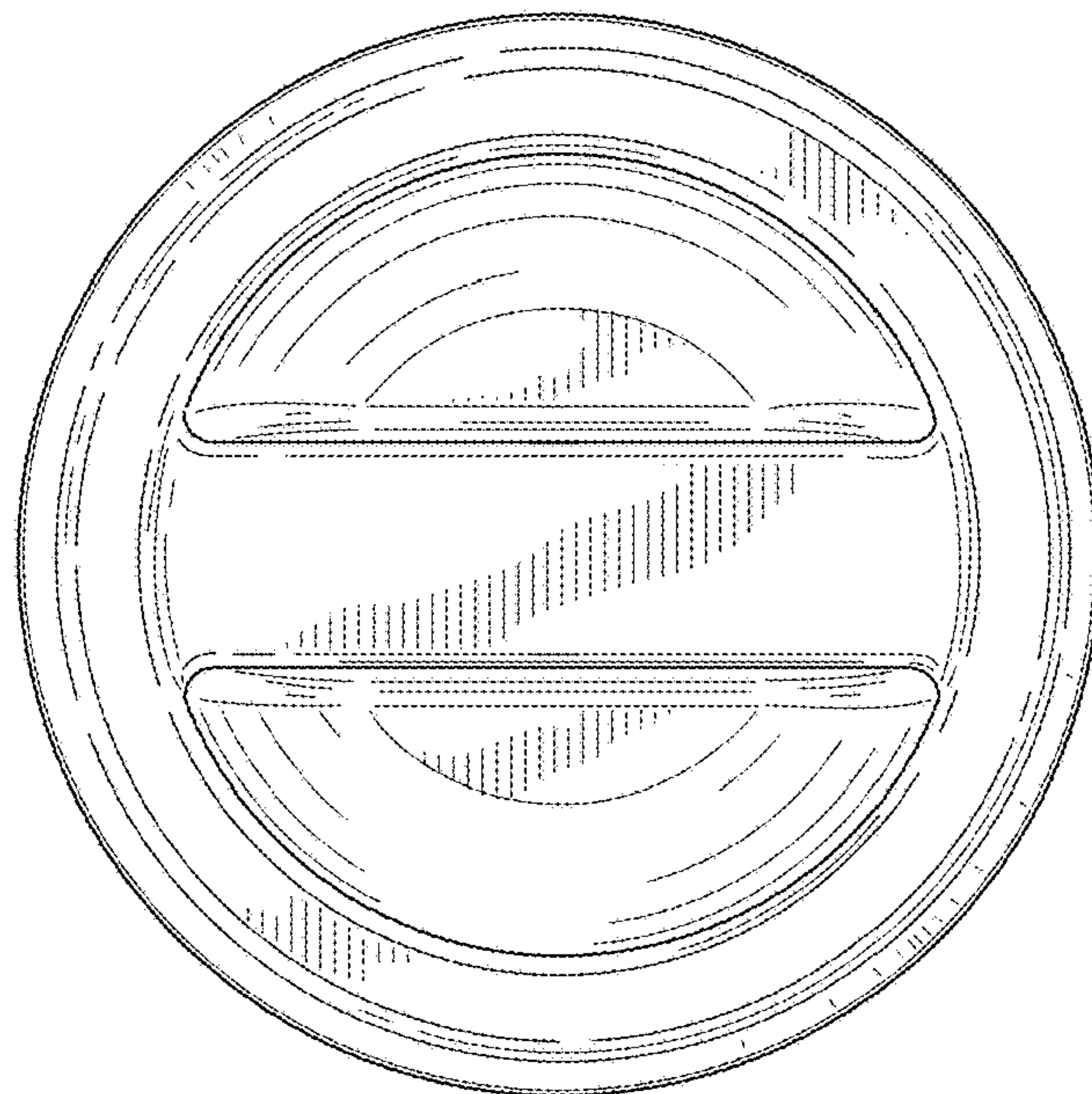


FIG. 8