



US00D839053S

(12) **United States Design Patent**
Huang et al.

(10) **Patent No.:** **US D839,053 S**
(45) **Date of Patent:** **** Jan. 29, 2019**

(54) **FOOD CONTAINER**

B25H 3/02-3/028; B25H 3/00; B25H 3/003; B25H 3/006; A47J 47/01

(71) Applicant: **General Mills, Inc.**, Minneapolis, MN (US)

See application file for complete search history.

(72) Inventors: **Hsin-Chi Huang**, Fayetteville, AR (US); **Shuwei Hu**, New Taipei (CN); **Lei Xue**, Shanghai (CN); **Wenlin Yuan**, Juangxi Province (CN)

(56) **References Cited**

U.S. PATENT DOCUMENTS

D35,476 S *	12/1901	Springer	D3/304
2,789,608 A *	4/1957	Tupper	B65D 43/0218 220/212
D201,644 S *	7/1965	Cave	D9/425
3,620,403 A *	11/1971	Rump	B65D 43/0212 206/551
3,620,411 A *	11/1971	Rump	B65D 43/162 206/551
D249,491 S *	9/1978	Bernhardt	D7/587
D257,108 S *	9/1980	Daenen	D7/587
4,483,455 A *	11/1984	Prophet, Jr.	A47G 23/06 220/23.83

(**) Term: **15 Years**

(21) Appl. No.: **29/595,702**

(22) Filed: **Mar. 1, 2017**

(30) **Foreign Application Priority Data**

Sep. 8, 2016 (CN) 2016 3 0465251

(51) **LOC (11) Cl.** **07-07**

(52) **U.S. Cl.**
USPC **D7/602**

(58) **Field of Classification Search**
USPC D7/601, 602, 605, 609, 629, 630, D7/606-608, 538-542, 612-615, 550.1, D7/551.1, 552.1, 552.2, 553.1, 553.2, D7/553.3, 553.4, 553.5, 553.7, 554.2, D7/555, 556, 603, 604, 323, 324, 326, D7/331, 332, 337, 339, 340, 341, 346, D7/347, 350.1, 350.3, 352, 354, 355, 356, D7/357, 360, 362, 363, 364, 365, 366, D7/367, 672, 368, 388, 397, 402, 403, D7/412, 500, 500.1, 701-710; D9/424-433, 445, 500, 501, 503, 504, D9/516, 549, 575, 737, 761, 760, 759, D9/756, 479, 478, 417, 420, 421; D3/201, 265, 266, 269, 273
CPC .. B65D 81/3813; B65D 85/50; B65D 85/505; B65D 85/52; B65D 2581/3405; B65D 2581/3406; B65D 2581/3408; A45C 2013/026; A45C 13/26; A45C 13/02; A45C 11/20; A45C 13/10; A45C 13/005;

(Continued)

Primary Examiner — Shannon W Morgan
(74) *Attorney, Agent, or Firm* — Diederiks & Whitelaw, PLC; Annette M. Frawley, Esq.

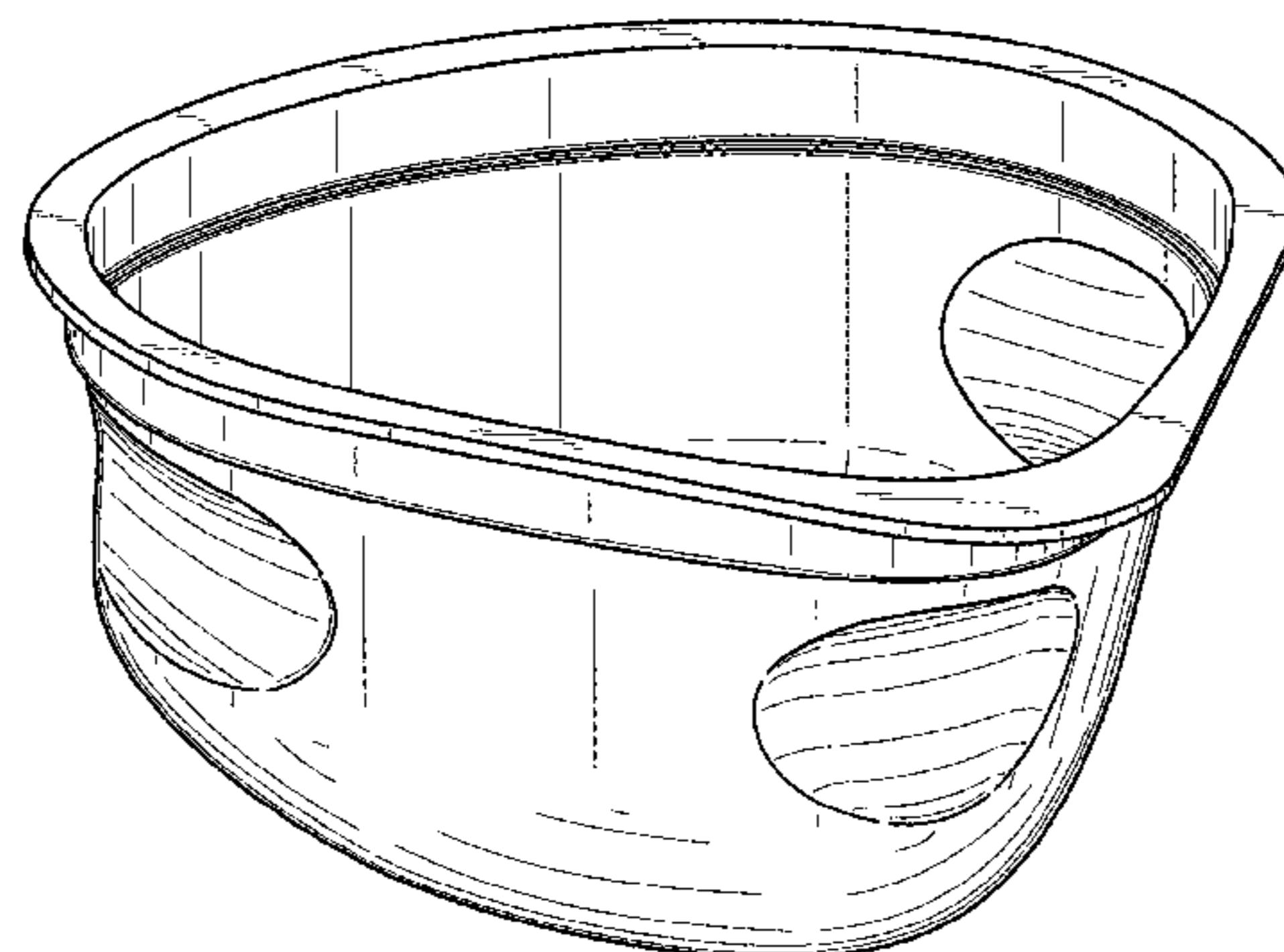
(57) **CLAIM**

The ornamental design for a food container, as shown and described.

DESCRIPTION

FIG. 1 is a top perspective view of the food container, according to the present new design;
FIG. 2 is a front view thereof;
FIG. 3 is a rear view thereof;
FIG. 4 is a right side view thereof;
FIG. 5 is a left side view thereof;
FIG. 6 is a top view thereof; and,
FIG. 7 is a bottom view thereof.
The broken lines shown in FIGS. 6 and 7 depict portions of the food container that form no part of the claimed design.

1 Claim, 3 Drawing Sheets



(56)

References Cited

U.S. PATENT DOCUMENTS

4,784,273 A * 11/1988 Niemetz B65D 43/0256
 206/551
 D306,405 S * 3/1990 Kuerti D9/424
 5,072,832 A * 12/1991 Valentine A61B 50/10
 206/223
 D341,539 S * 11/1993 Davis D7/550.1
 D391,808 S * 3/1998 Voege D7/538
 D408,506 S * 4/1999 Gottwald D23/260
 D409,911 S * 5/1999 Guillin D9/425
 D419,067 S * 1/2000 Guillin D9/425
 D419,364 S * 1/2000 Jarvis 206/551
 D420,585 S * 2/2000 Guillin D9/425
 D429,150 S * 8/2000 Lindsay D7/602
 D434,946 S * 12/2000 Jarvis D7/354
 D455,318 S * 4/2002 Miller D7/602
 D465,887 S * 11/2002 Begnani D32/35
 D473,754 S * 4/2003 Thun D7/506
 D473,755 S * 4/2003 Thun D7/545
 D474,378 S * 5/2003 Brandenburg D7/679
 D482,934 S * 12/2003 Liu D7/602
 D495,211 S * 8/2004 Brown D7/584
 D501,372 S * 2/2005 Lo D7/372

D510,842 S * 10/2005 Ray D7/567
 D541,110 S * 4/2007 Wasserman D7/584
 D547,125 S * 7/2007 Wasserman D7/545
 D565,355 S * 4/2008 Bevacqua D7/550.1
 D568,149 S * 5/2008 Riedel D8/397
 D582,763 S * 12/2008 Riedel D8/397
 7,568,874 B2 * 8/2009 Riedel F16B 23/0061
 411/435
 D613,999 S * 4/2010 Sierra D7/587
 D631,130 S * 1/2011 Riedel D23/209
 D637,690 S * 5/2011 Riedel D23/209
 D637,693 S * 5/2011 Riedel D23/209
 D658,014 S * 4/2012 Miga, Jr. D7/629
 D683,192 S * 5/2013 Schwartz D7/629
 D702,404 S * 4/2014 Leung D30/129
 D721,007 S * 1/2015 Dickinson D11/149
 D724,390 S * 3/2015 Roehrig D7/629
 D761,061 S * 7/2016 McConnell D7/587
 D787,274 S * 5/2017 Gagnon D7/586
 D793,857 S * 8/2017 Rice D9/425
 2007/0039966 A1 * 2/2007 Schantz A47G 19/02
 220/574
 2016/0113423 A1 * 4/2016 Lunde A47G 19/027
 62/457.2

* cited by examiner

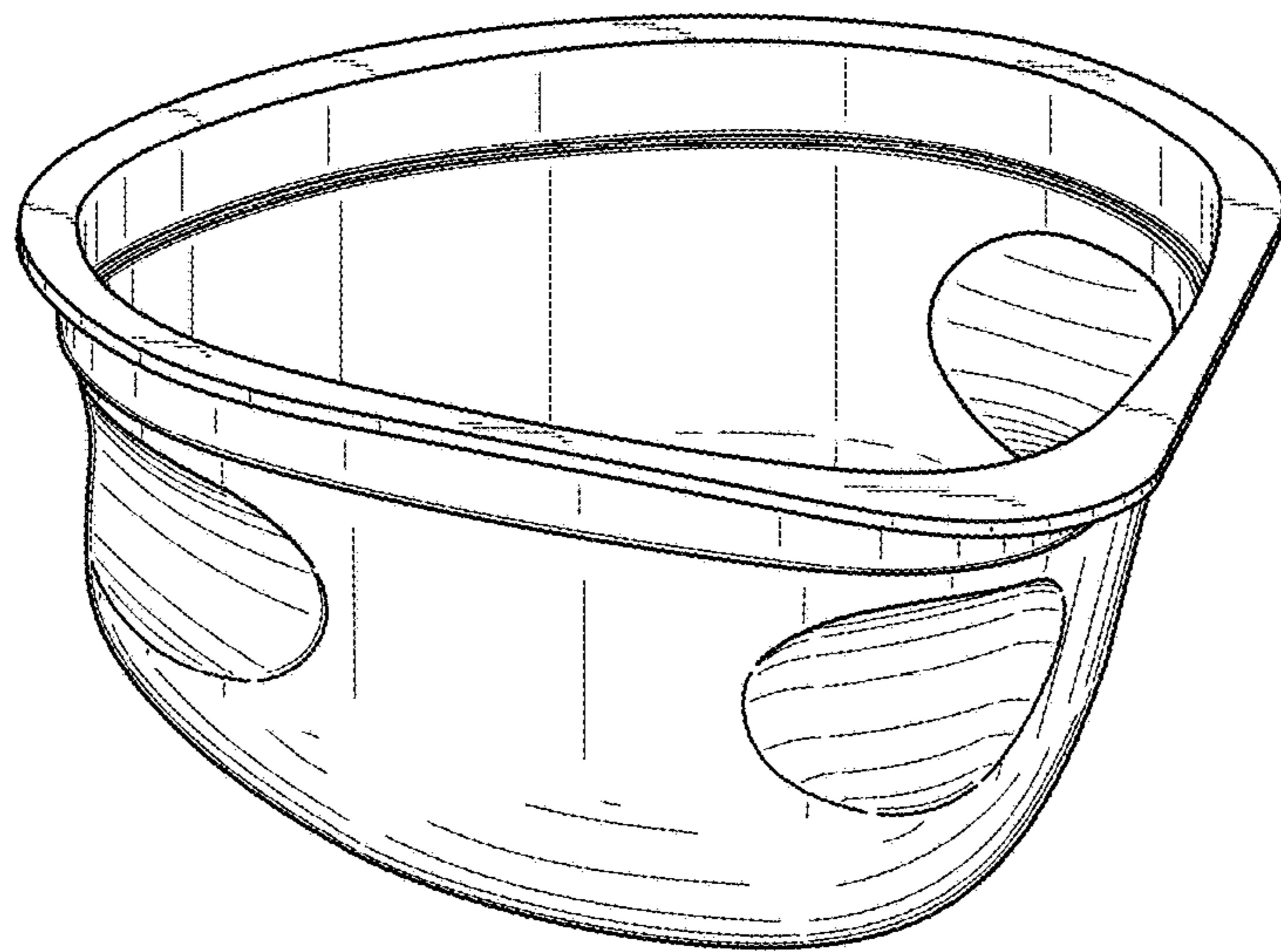


Fig. 1

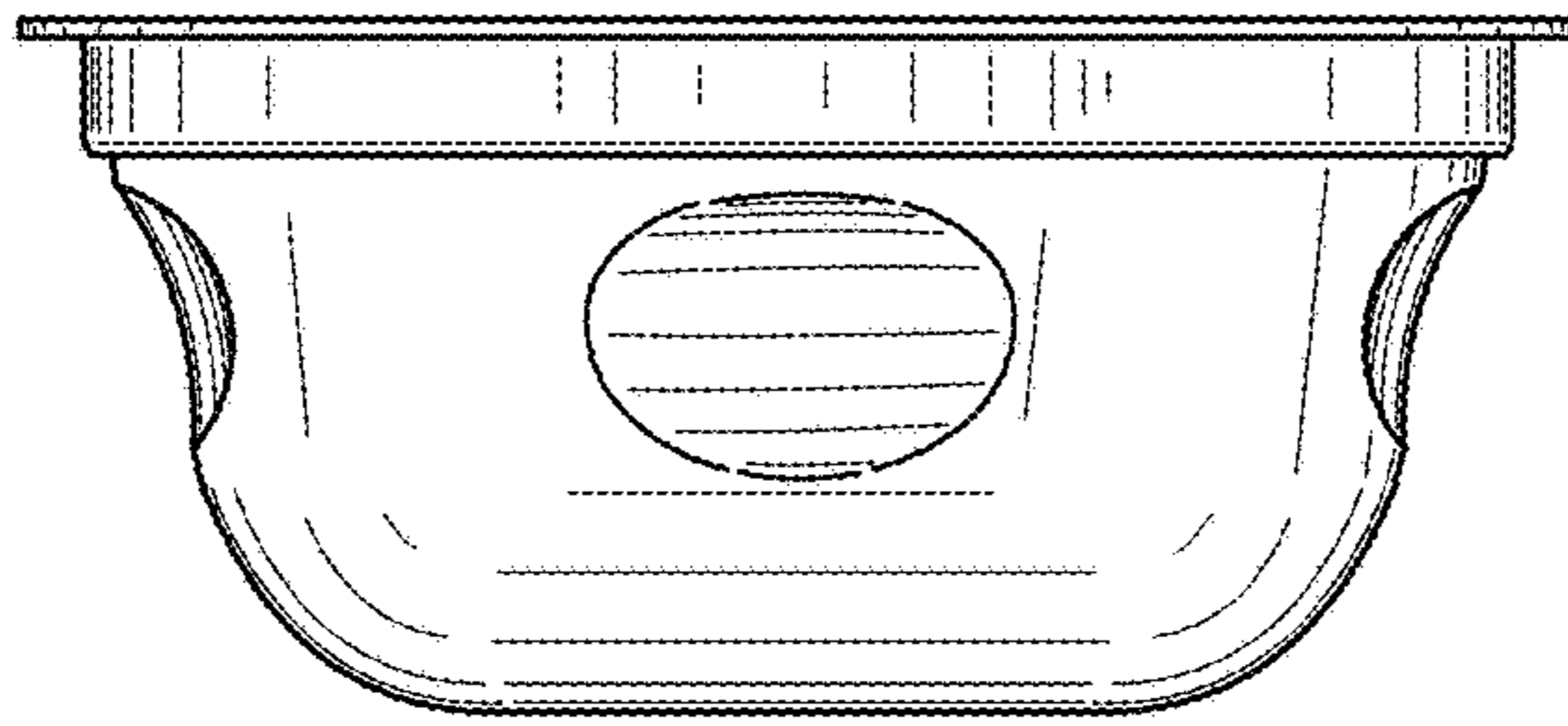


Fig. 2

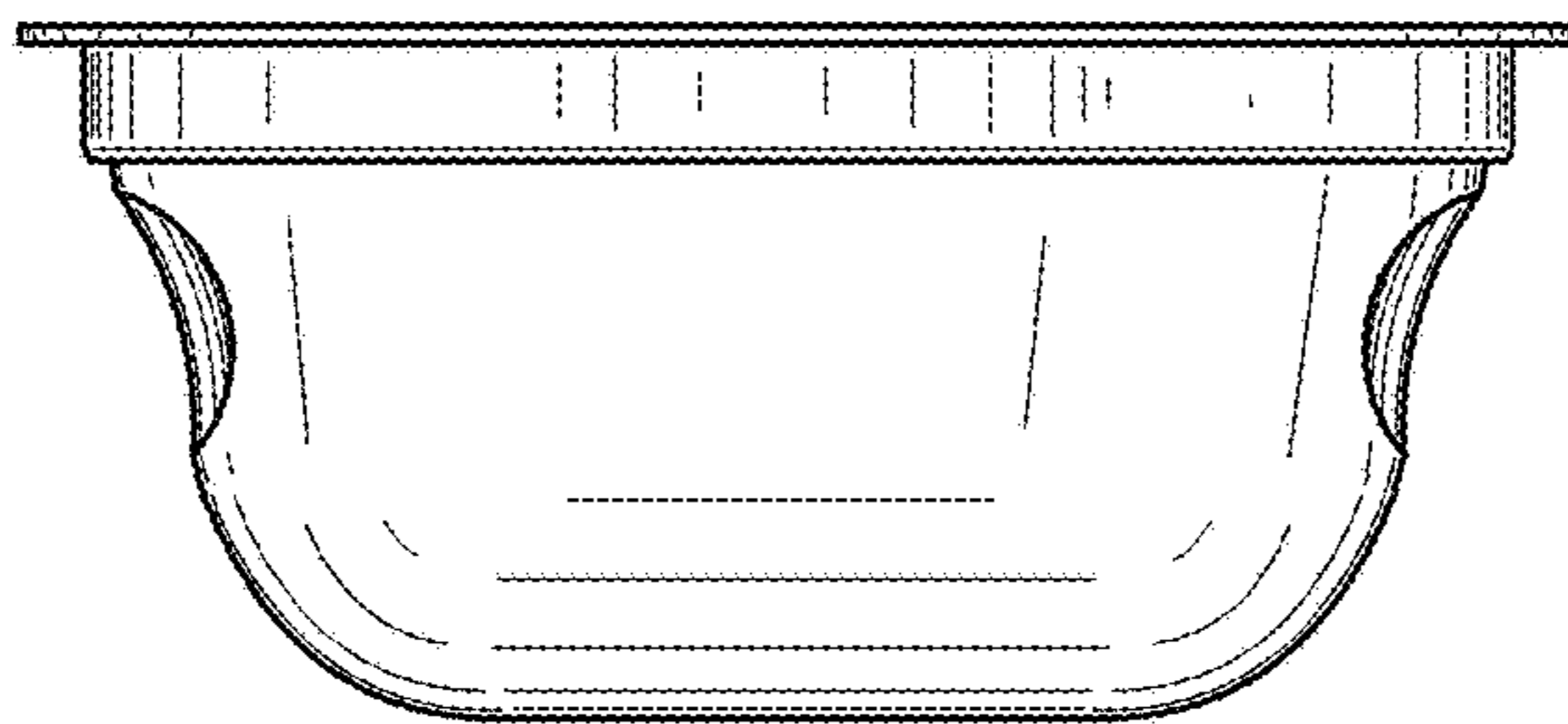


Fig. 3

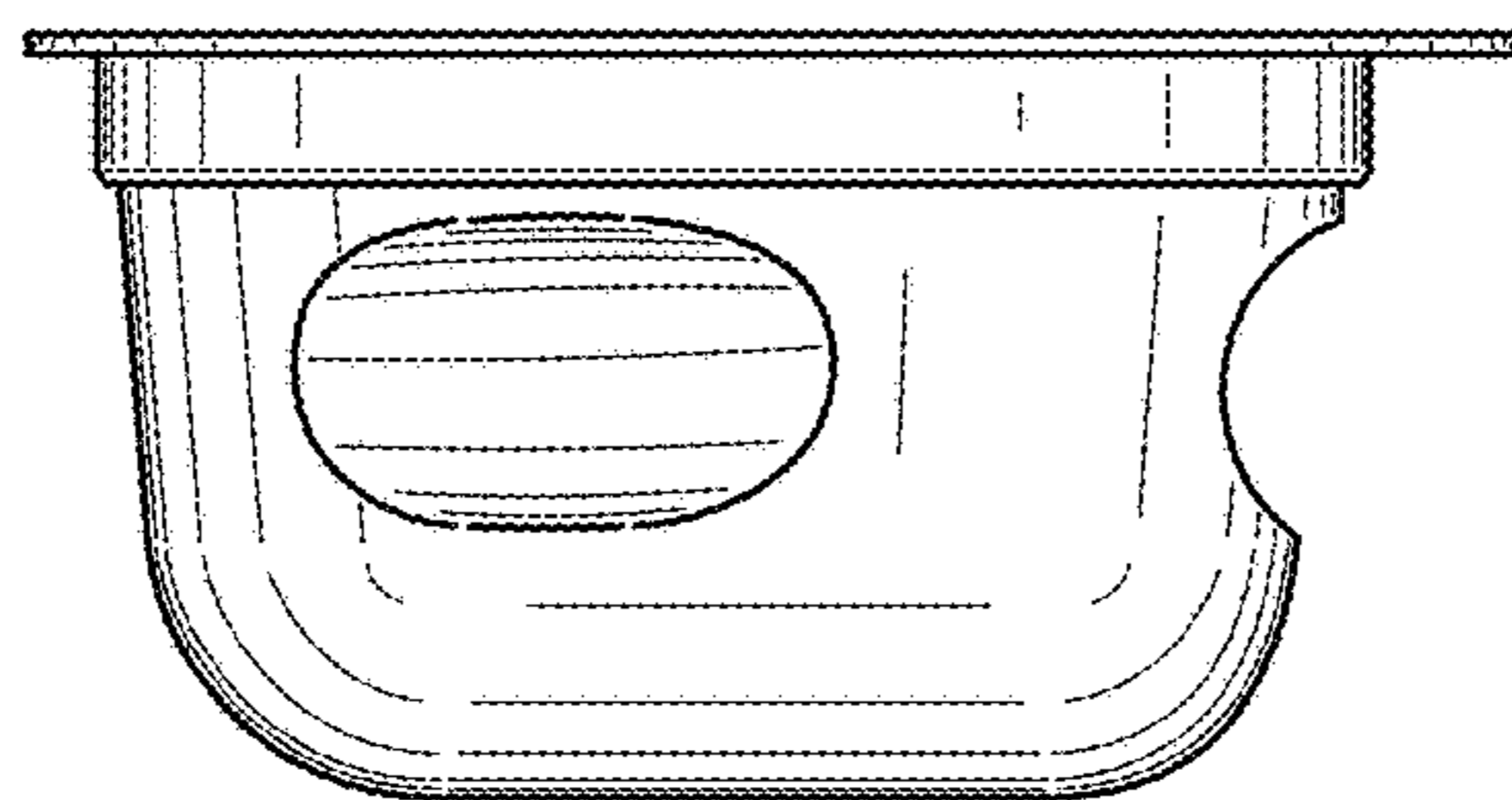


Fig. 4

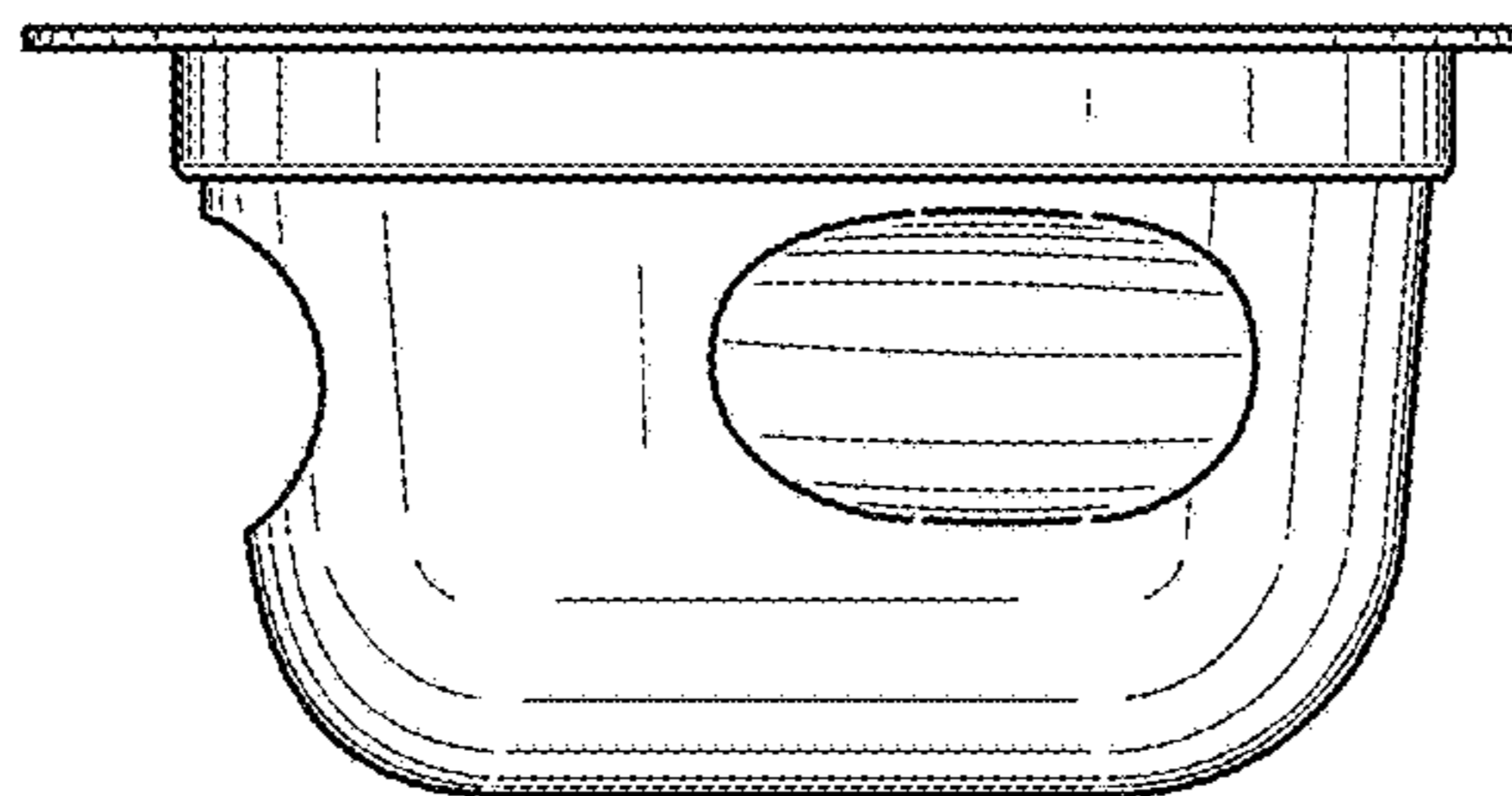


Fig. 5

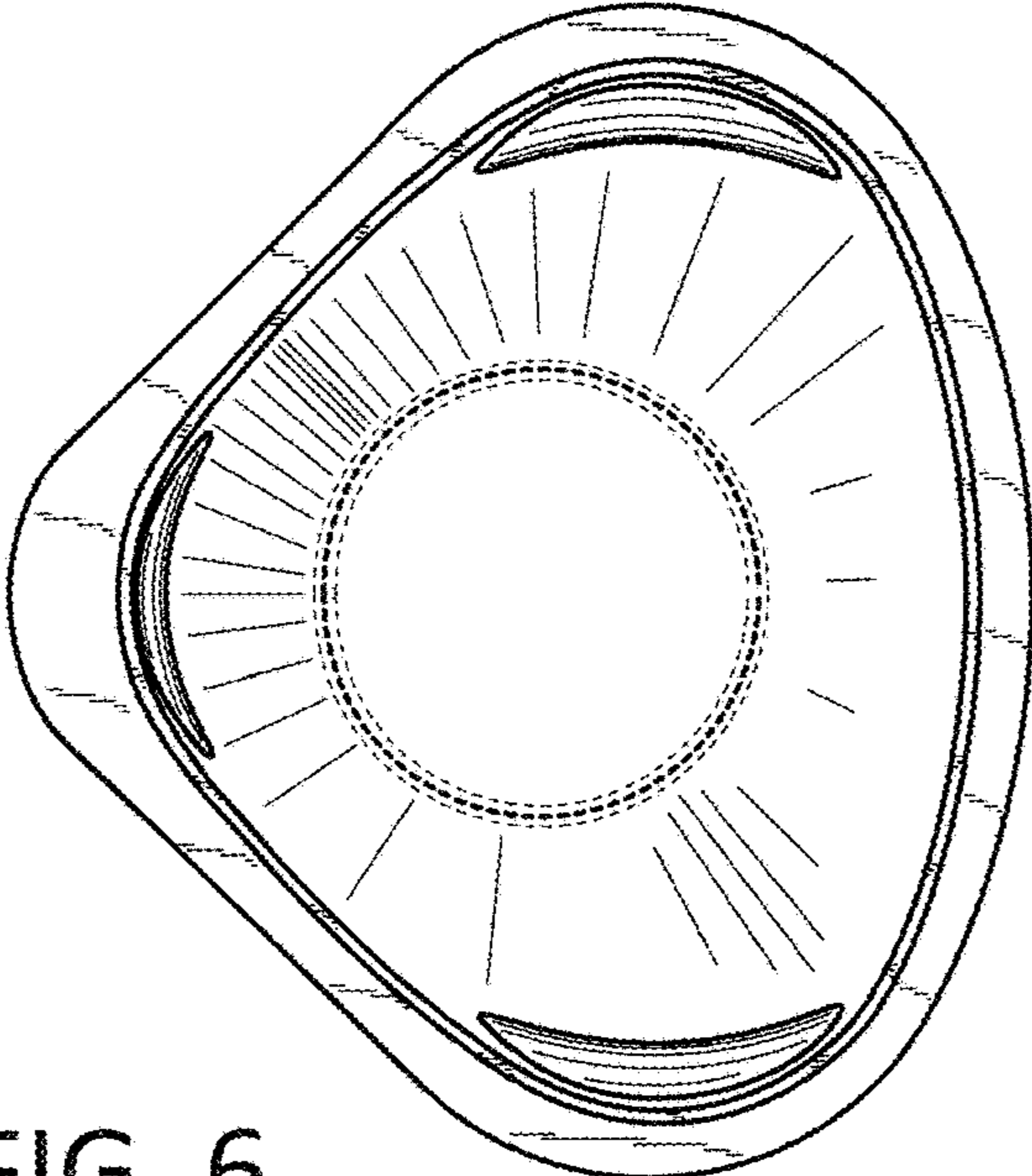


FIG. 6

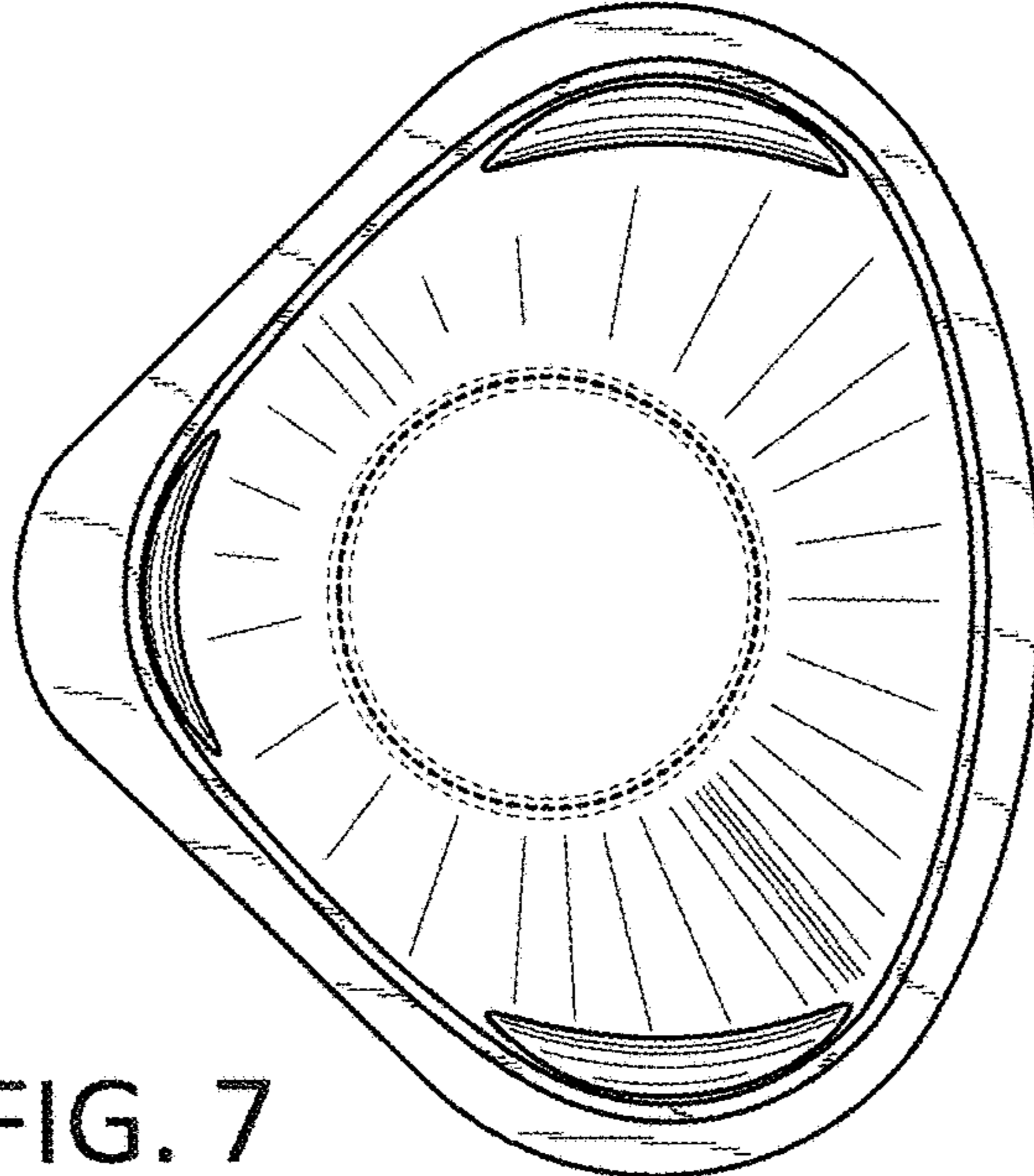


FIG. 7