



US00D839051S

(12) **United States Design Patent**
Potter et al.

(10) **Patent No.:** **US D839,051 S**

(45) **Date of Patent:** **** Jan. 29, 2019**

(54) **CONTAINER**

(71) Applicant: **THE DECOR CORPORATION PTY LTD**, Scoresby VIC (AU)

(72) Inventors: **Matthew Potter**, Scoresby (AU);
George Kotsiopoulos, Scoresby (AU);
Toby Hartley, Scoresby (AU); **Mark Turner**, Scoresby (AU)

(73) Assignee: **The Decor Corporation Pty Ltd**,
Scoreby Victoria (AU)

(**) Term: **15 Years**

(21) Appl. No.: **29/609,358**

(22) Filed: **Jun. 29, 2017**

(30) **Foreign Application Priority Data**

Feb. 10, 2017 (AU) 201710803

(51) **LOC (11) Cl.** **07-01**

(52) **U.S. Cl.**

USPC **D7/510**; D7/529; D7/532; D7/533

(58) **Field of Classification Search**

USPC D7/507, 509, 510, 511, 512, 523, 531,
D7/532, 533, 535, 536, 608, 392.1, 396.2,
D7/529, 667, 319, 320, 300, 300.1;
D9/435, 436, 449, 442, 443, 500, 502,
D9/503, 504, 529, 447, 516, 453, 531;
220/592.16, 592.17, 62.12, 703; D26/7
CPC A45F 3/16; B65D 47/066; A47J 43/27;
A47G 19/2272; A47G 19/2211; A47G
19/22; A47G 19/2222
See application file for complete search history.

(56) **References Cited**

U.S. PATENT DOCUMENTS

D406,766 S * 3/1999 Beechuk D9/434
D515,358 S * 2/2006 Orr B65D 1/265
D7/523

D529,340 S * 10/2006 Laib D7/523
D632,133 S * 2/2011 Giraud D7/510
D646,919 S * 10/2011 Nilsson B65D 47/148
D7/300.1
D653,492 S * 2/2012 Enghard D7/300.1
D656,357 S * 3/2012 Enghard D7/300.1
D679,541 S * 4/2013 Samartgis D7/392.1
D688,520 S * 8/2013 Lin D7/300.1
D690,162 S * 9/2013 Staton D7/510
D742,230 S * 11/2015 Charles D7/396.2
D745,827 S * 12/2015 Sorensen D7/392.1
D771,990 S * 11/2016 Horowitz D7/300.1
D778,114 S * 2/2017 Boroski D7/529
D780,516 S * 3/2017 Cornelius D7/510
D781,104 S * 3/2017 Cerasani D7/300.1
D796,905 S * 9/2017 Kestenbaum D7/510
D802,366 S * 11/2017 Cerasani D7/510

(Continued)

Primary Examiner — Marianne N Pandozzi

Assistant Examiner — Jae Liang

(74) *Attorney, Agent, or Firm* — Kilpatrick Townsend & Stockton LLP

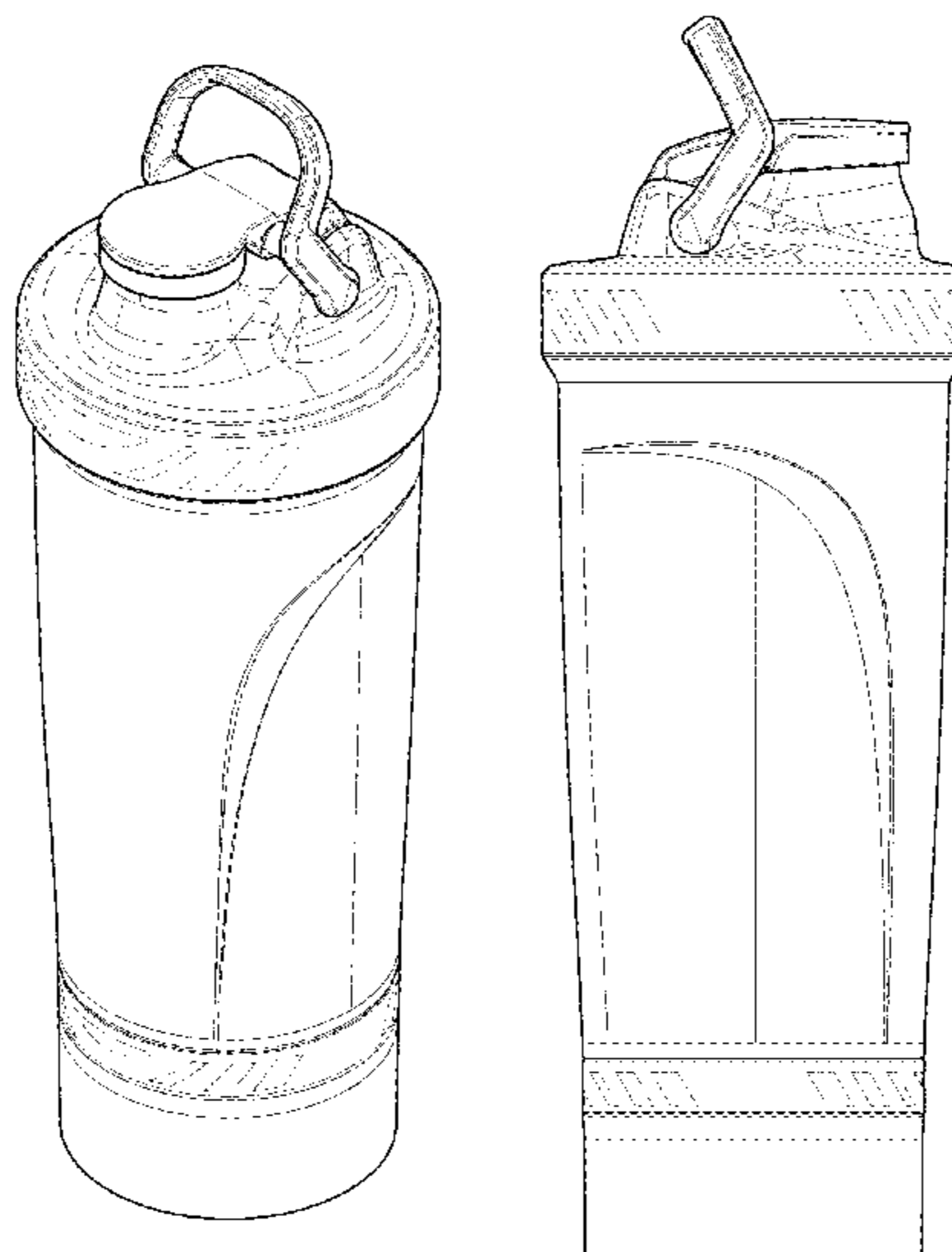
(57) **CLAIM**

The ornamental design for a container, as shown and described.

DESCRIPTION

FIG. 1 is a top, front perspective view of a container showing our new design;
FIG. 2 is a bottom, rear perspective view thereof;
FIG. 3 is a front elevational view thereof;
FIG. 4 is a rear elevational view thereof;
FIG. 5 is a left side elevational view thereof;
FIG. 6 is a right side elevational view thereof;
FIG. 7 is a top plan view thereof; and,
FIG. 8 is a bottom plan view thereof.
The broken lines in the drawings depict portions of the container that form no part of the claimed design.

1 Claim, 7 Drawing Sheets



(56)

References Cited

U.S. PATENT DOCUMENTS

D814,236 S * 4/2018 Rolfson D7/392.1
2014/0048511 A1 * 2/2014 El-Saden A45F 3/16
215/389
2016/0346746 A1 * 12/2016 Rage B01F 3/1221
2017/0253395 A1 * 9/2017 Matthis A47G 19/2272

* cited by examiner

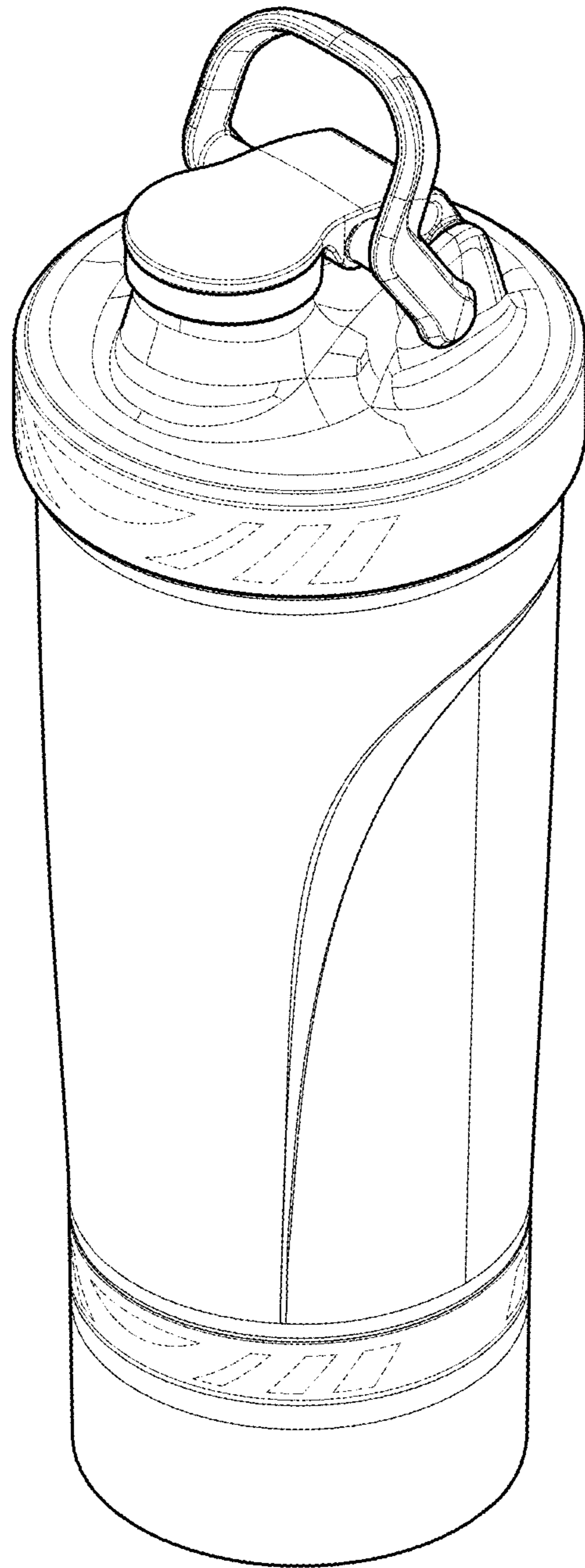


Figure 1

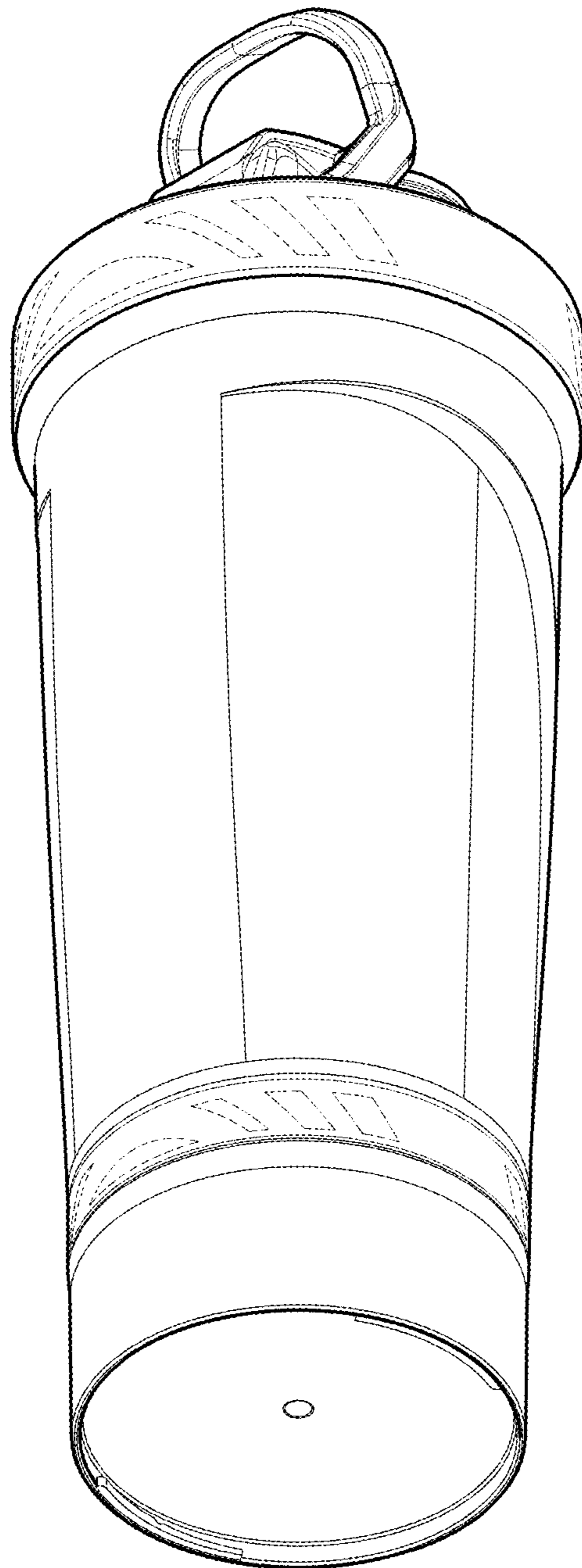


Figure 2

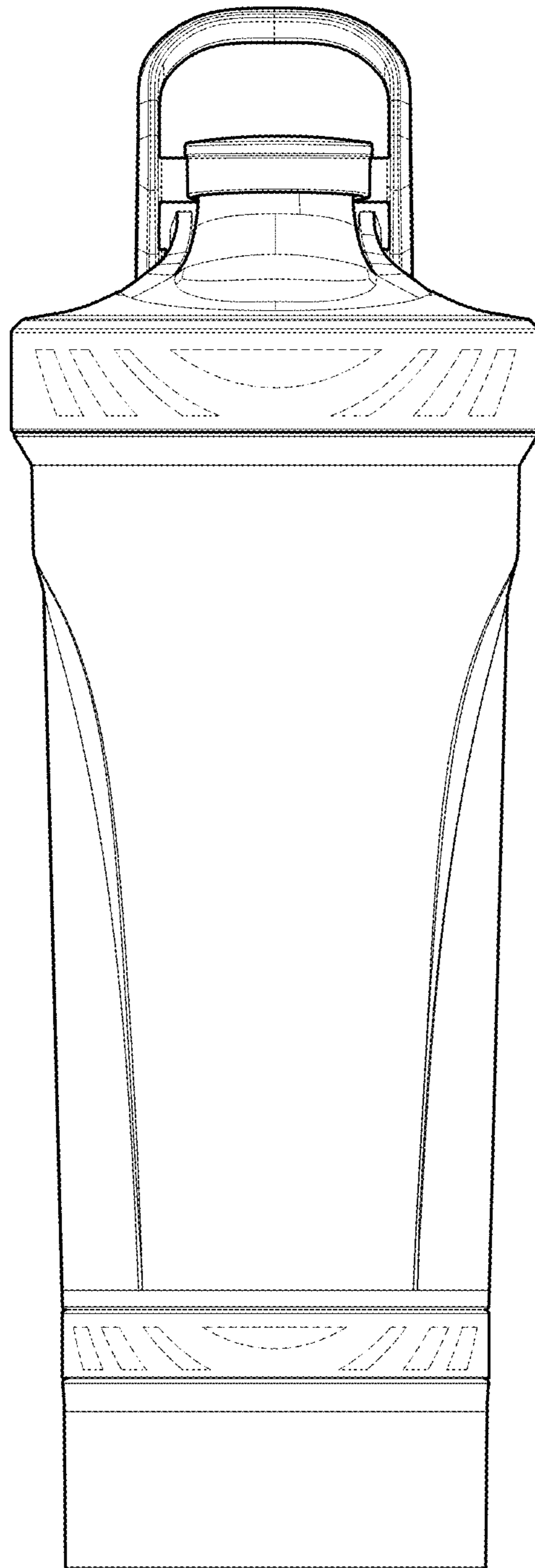


Figure 3

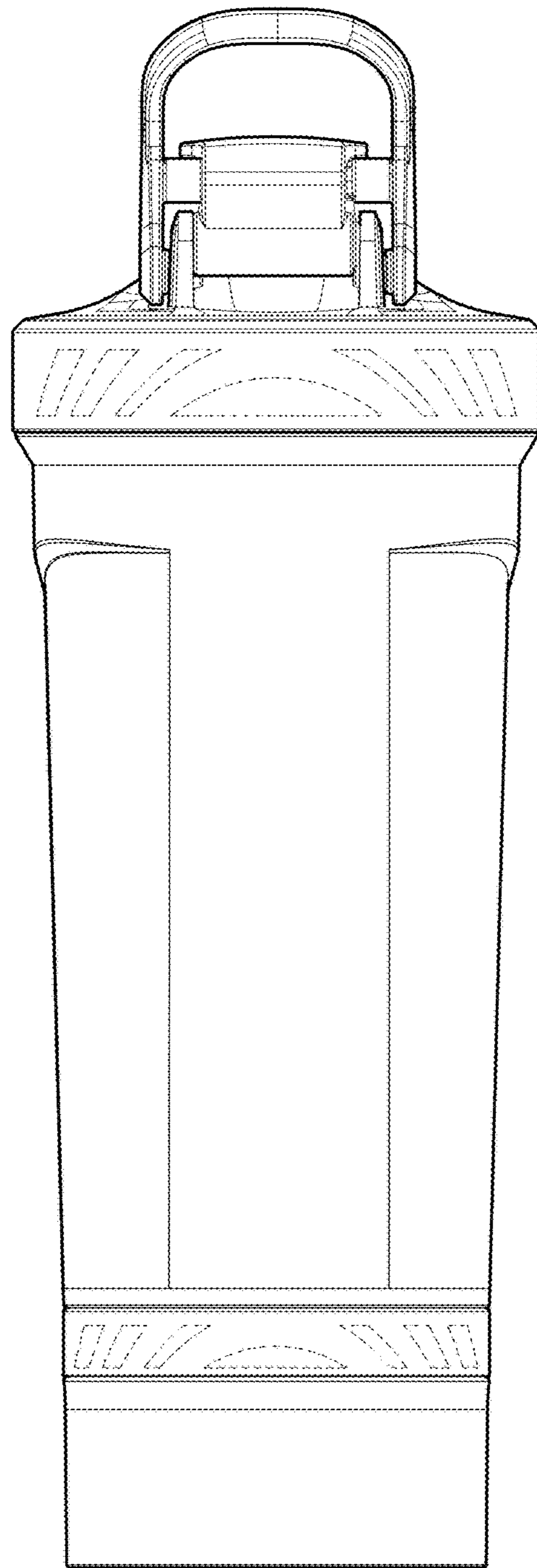


Figure 4

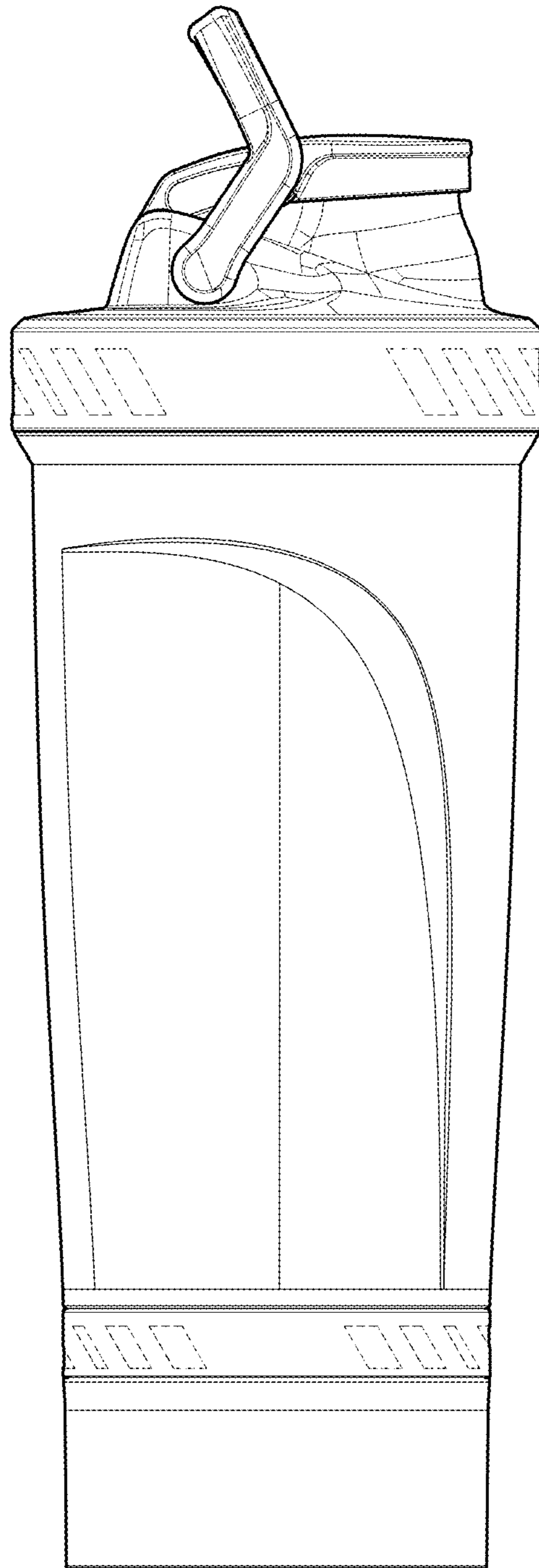


Figure 5

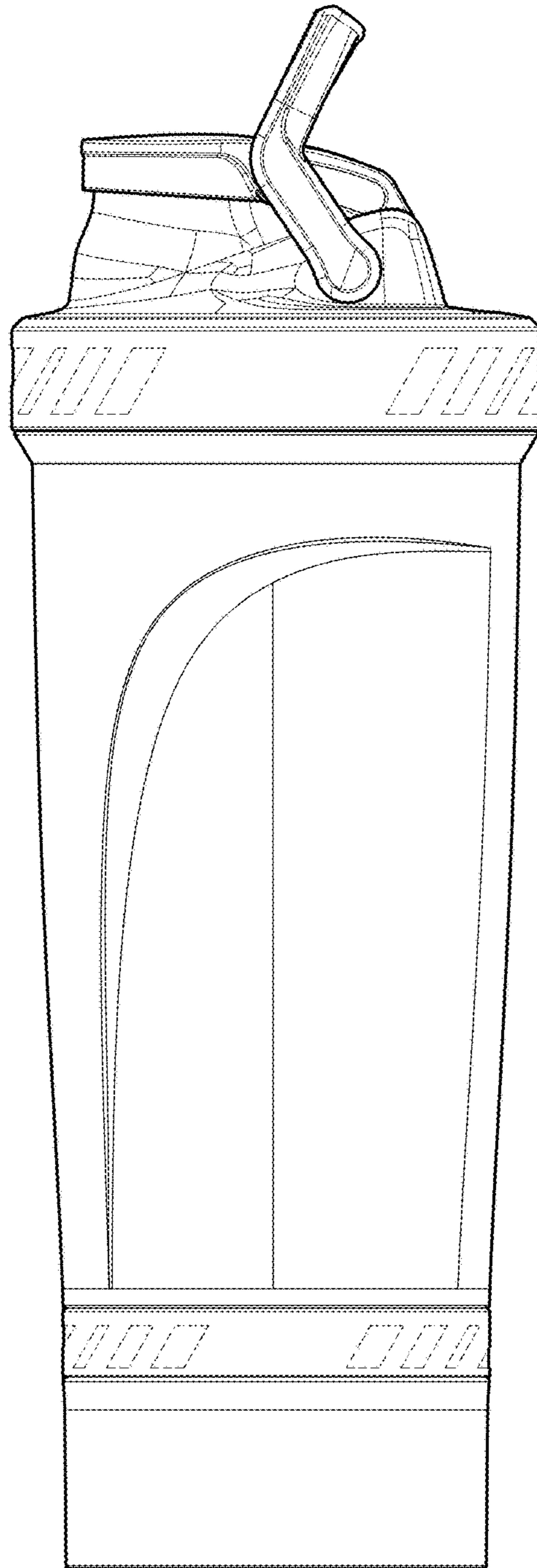


Figure 6

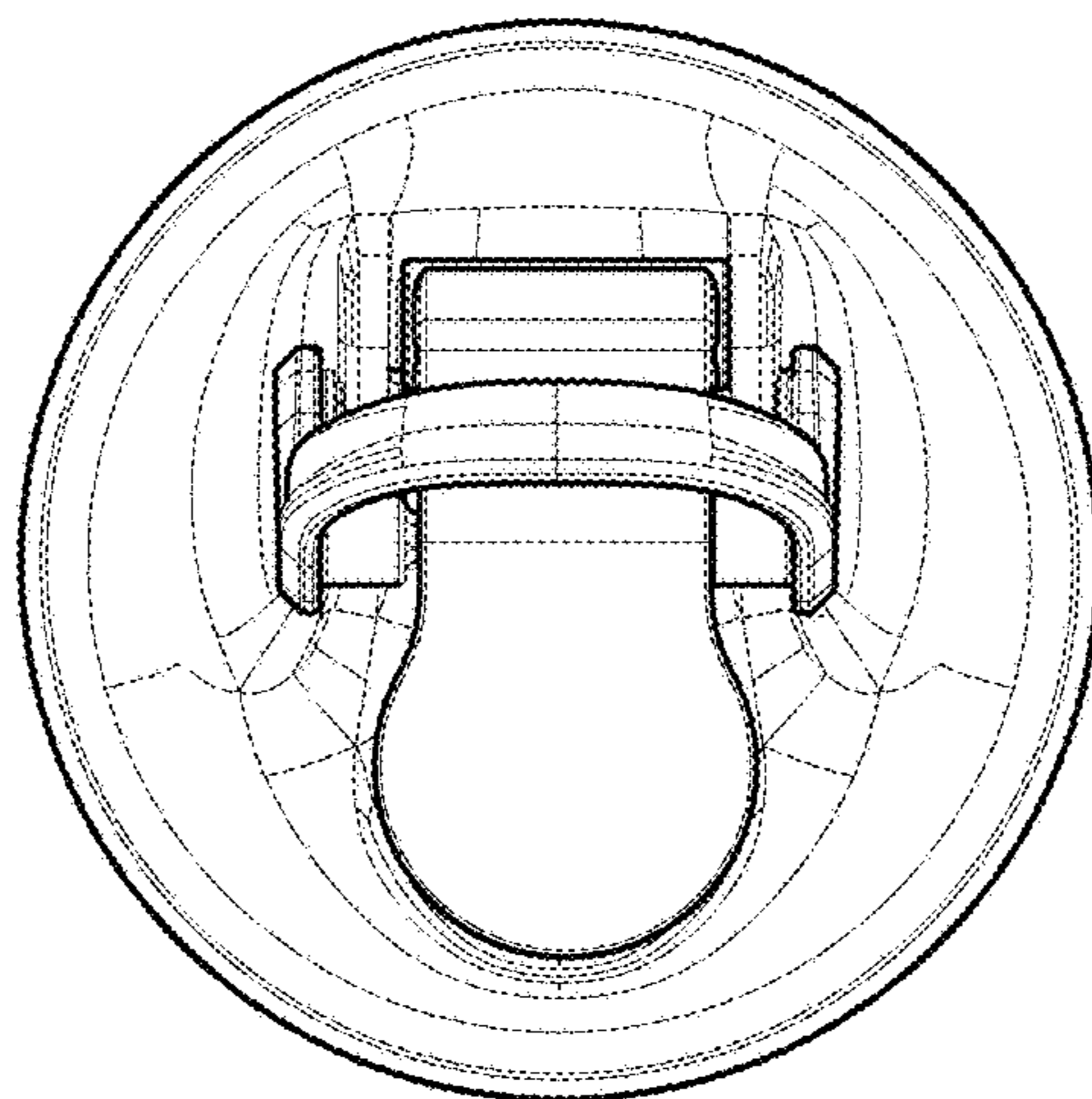


Figure 7

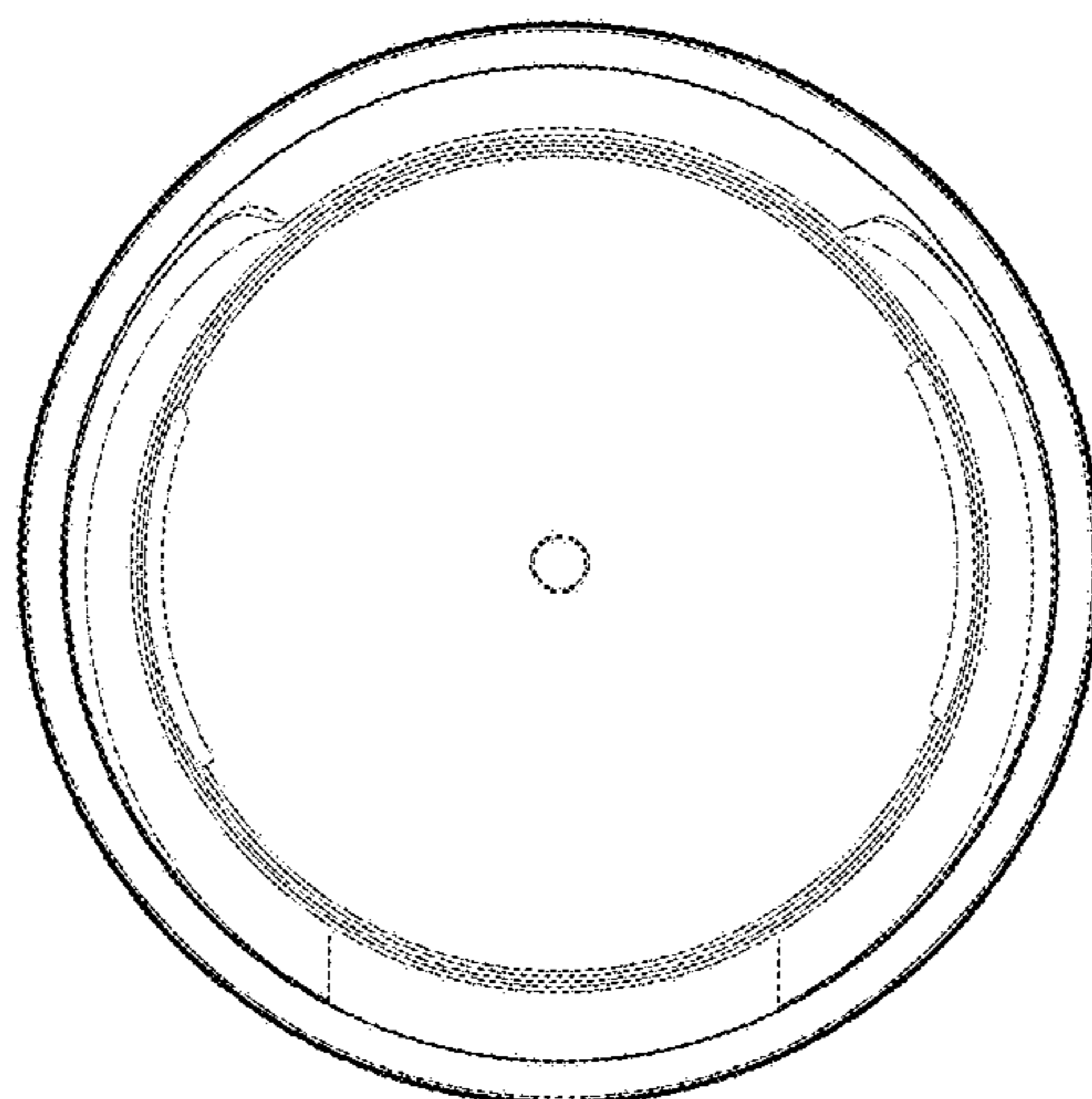


Figure 8