



US00D839050S

(12) **United States Design Patent**
Sibbert

(10) **Patent No.:** **US D839,050 S**
(45) **Date of Patent:** **** Jan. 29, 2019**

- (54) **BOTTLE**
- (71) Applicant: **SIGG Switzerland Bottles AG**,
Frauenfeld (CH)
- (72) Inventor: **Alexander Sibbert**, Schwerzenbach
(CH)
- (73) Assignee: **SIGG SWITZERLAND BOTTLES**
AG, Frauenfeld (CH)
- (**) Term: **15 Years**
- (21) Appl. No.: **29/585,946**
- (22) Filed: **Nov. 30, 2016**
- (30) **Foreign Application Priority Data**
Jul. 20, 2016 (WO) DM/093143
- (51) **LOC (11) Cl.** **07-01**
- (52) **U.S. Cl.**
USPC **D7/510; D7/523; D7/532; D9/503**
- (58) **Field of Classification Search**
USPC D7/507, 509, 510, 511, 523, 529, 530,
D7/608, 536, 532, 392.1, 396.2; D9/500,
D9/502, 503, 504, 517, 530, 538, 539,
D9/540, 541, 544, 545, 547, 548, 552,
D9/569, 453, 452, 501, 447; 220/592.16,
220/592.17; 215/381, 382
CPC A47G 19/22; A47G 19/2205; A47G
19/2211; A47G 19/2266; A47G 19/2272;
A45F 3/16; B65D 41/04
See application file for complete search history.

D276,889 S *	12/1984	Biesecker	D9/500
D277,360 S *	1/1985	Kaneko	D9/502
D297,308 S *	8/1988	Lyons	D9/502
D404,306 S *	1/1999	Steinke	D9/502
D422,916 S *	4/2000	Herrmann	D9/443
D516,910 S *	3/2006	Bresler	D9/447
D570,687 S *	6/2008	Kelders	D9/500
D691,479 S *	10/2013	Bea	D9/447
D704,554 S *	5/2014	Baird	D9/435
D715,146 S *	10/2014	Holmes	D9/447
D749,416 S *	2/2016	Herbst	D9/447
D771,490 S *	11/2016	Junkel	D9/447
D816,409 S *	5/2018	Sawyer	D7/510
2013/0214012 A1 *	8/2013	Pils	B65D 47/247 222/524

* cited by examiner

Primary Examiner — Marianne N Pandozzi

Assistant Examiner — Jae Liang

(74) *Attorney, Agent, or Firm* — Pearne & Gordon LLP

(56) **References Cited**

U.S. PATENT DOCUMENTS

- D112,219 S * 11/1938 Samuelson D9/502
- D274,221 S * 6/1984 Biesecker D9/501

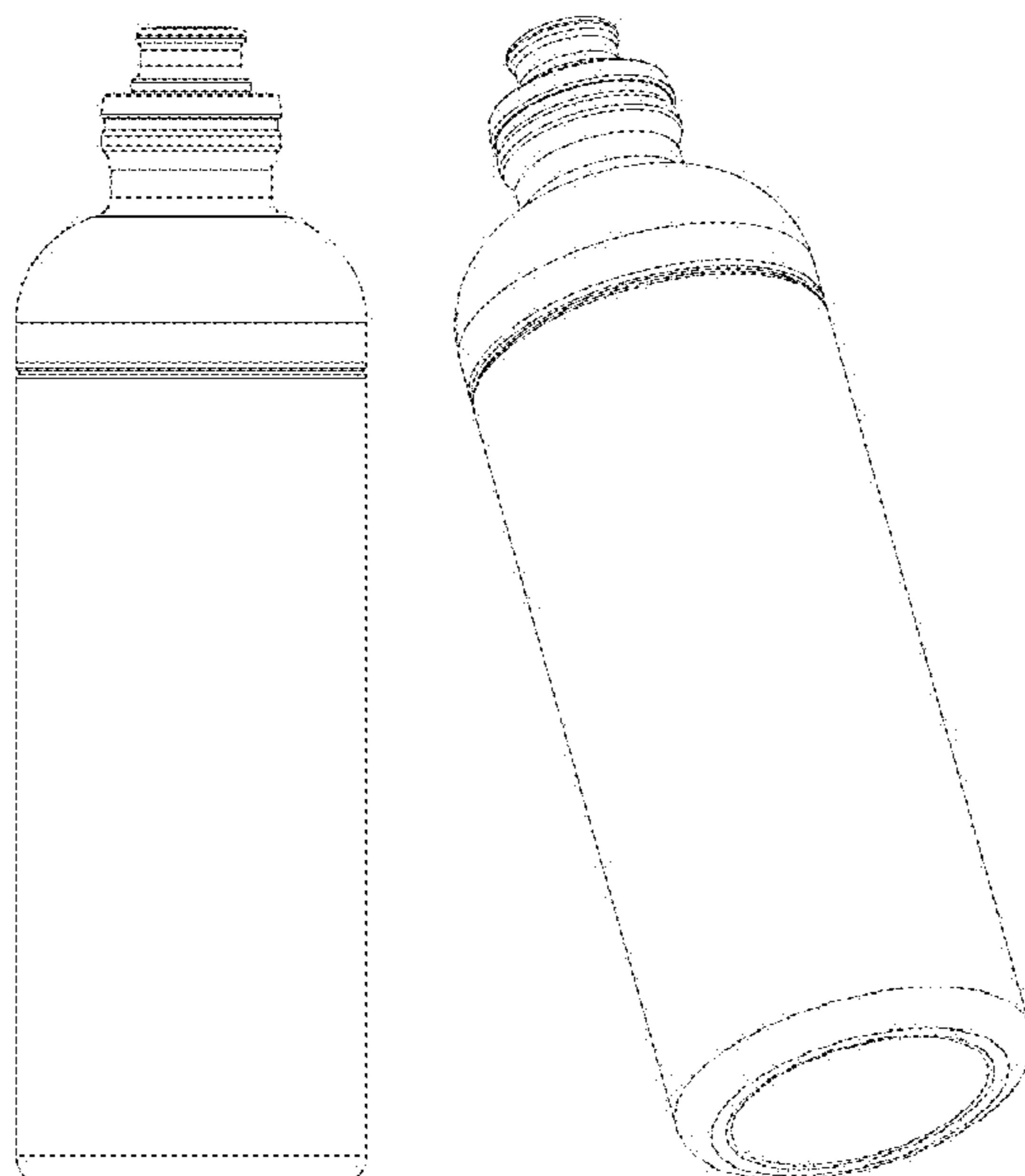
(57) **CLAIM**

The ornamental design for a bottle, as shown and described.

DESCRIPTION

FIG. 1 is a front view of a bottle showing my new design;
 FIG. 2 is a rear view thereof;
 FIG. 3 is a top view thereof;
 FIG. 4 is a bottom view thereof;
 FIG. 5 is a top-front perspective view thereof; and,
 FIG. 6 is a bottom-rear perspective view thereof.
 The broken lines in the drawings depict portions of the bottle
 that form no part of the claimed design.

1 Claim, 4 Drawing Sheets



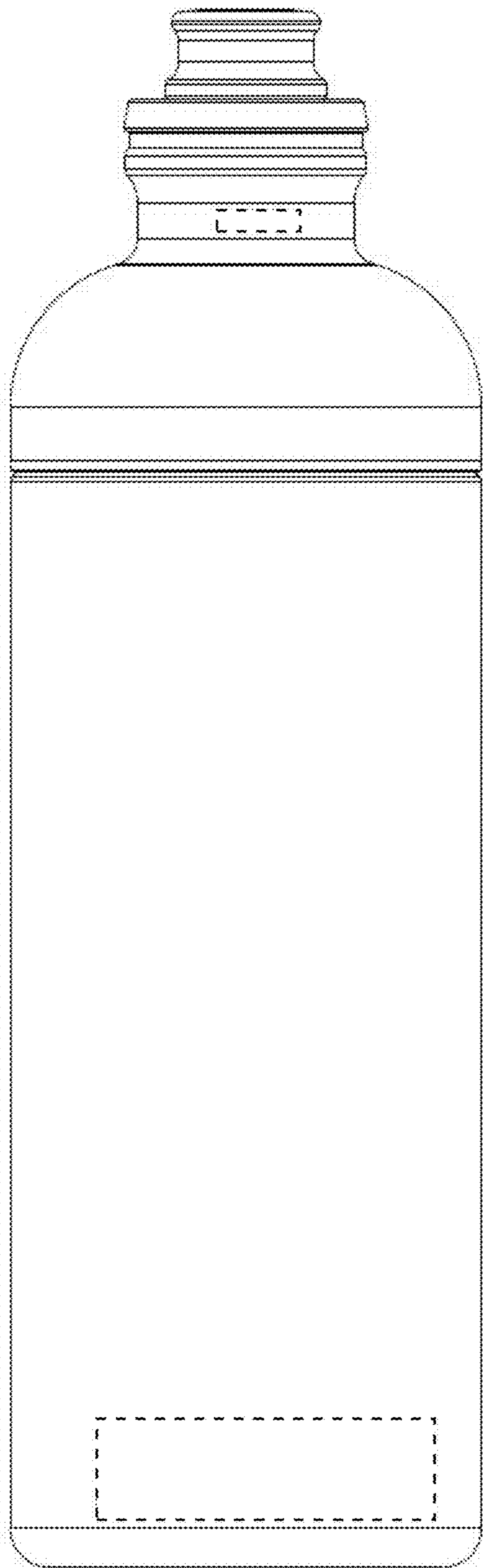


FIG. 1

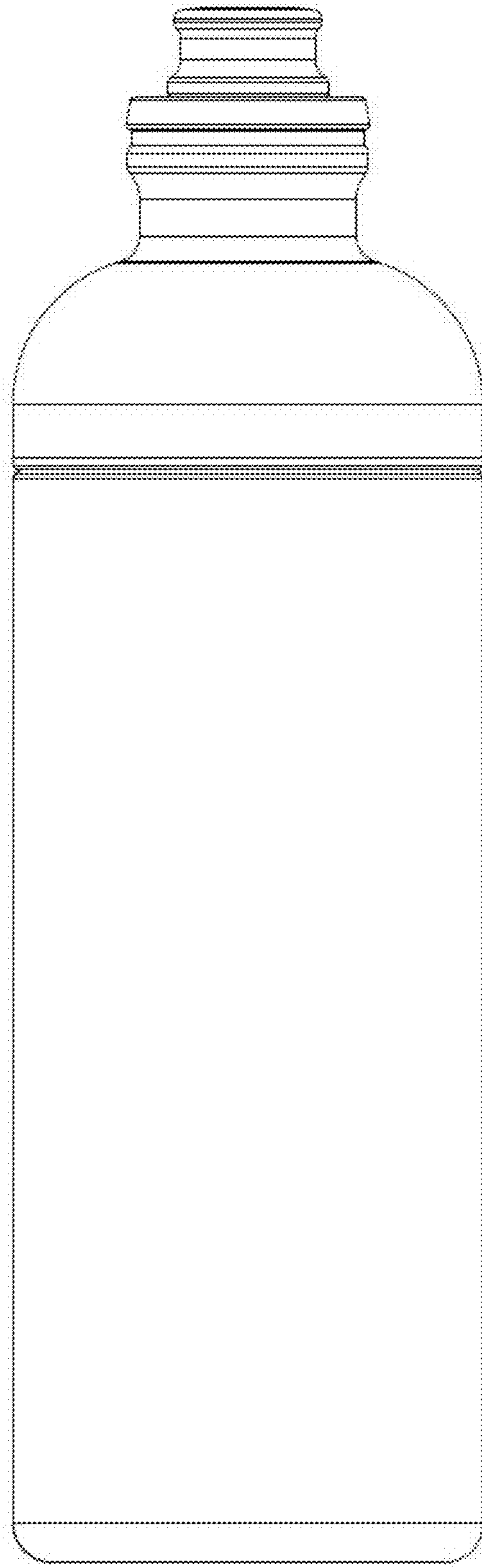


FIG. 2

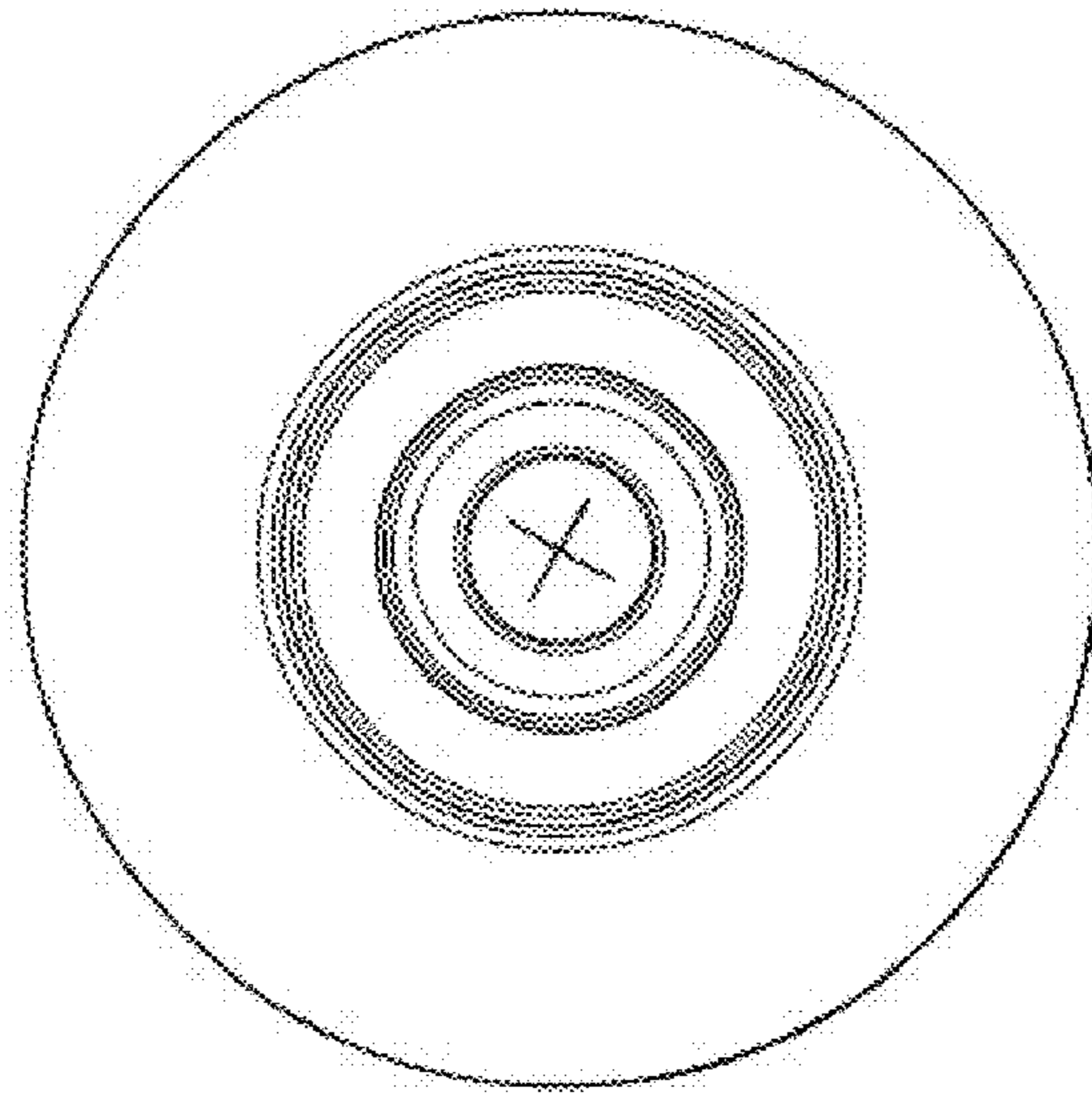


FIG. 3

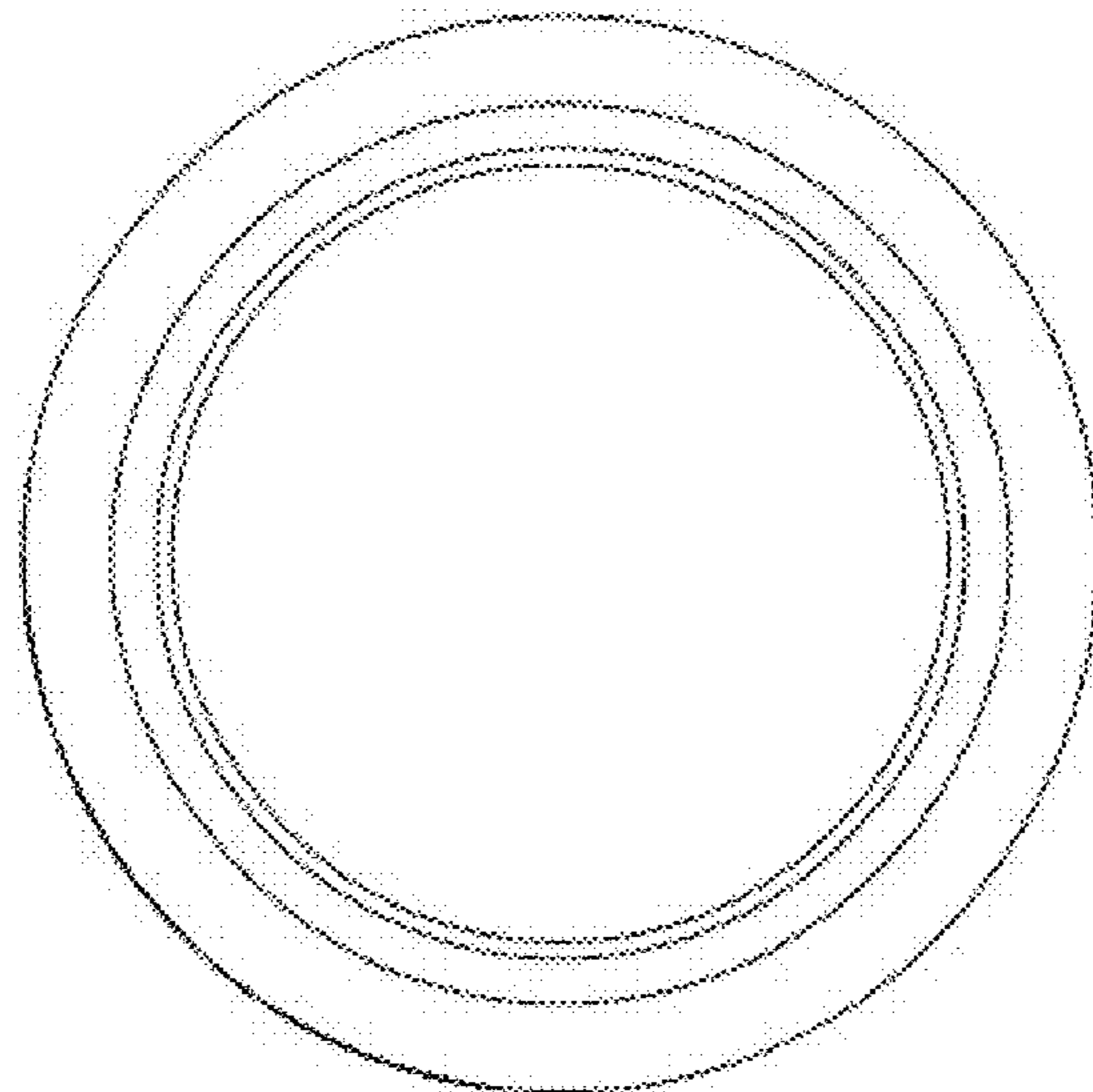


FIG. 4

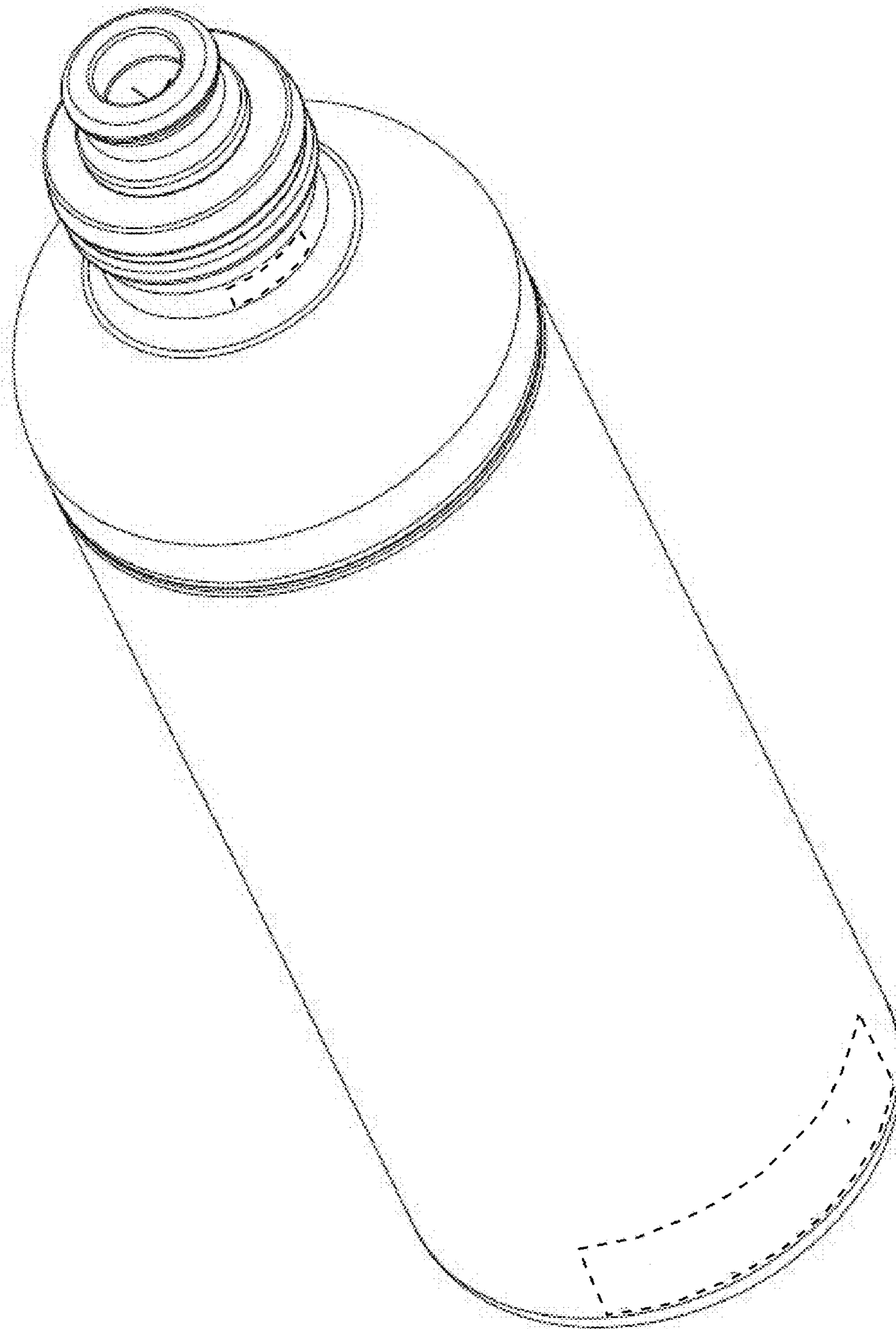


FIG. 5

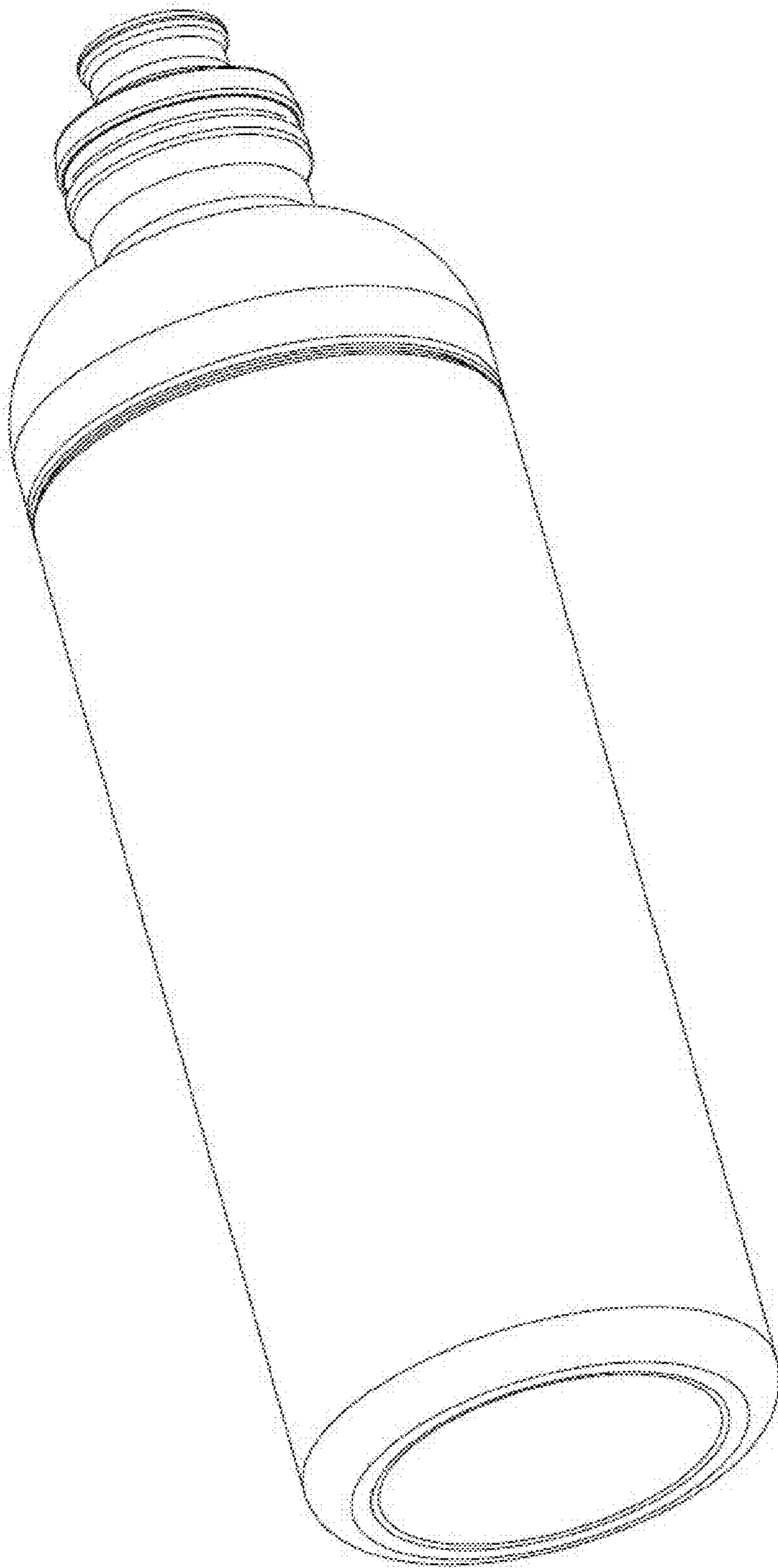


FIG. 6

UNITED STATES PATENT AND TRADEMARK OFFICE
CERTIFICATE OF CORRECTION

PATENT NO. : D839,050 S
APPLICATION NO. : 29/585946
DATED : January 29, 2019
INVENTOR(S) : Alexander Sibbert

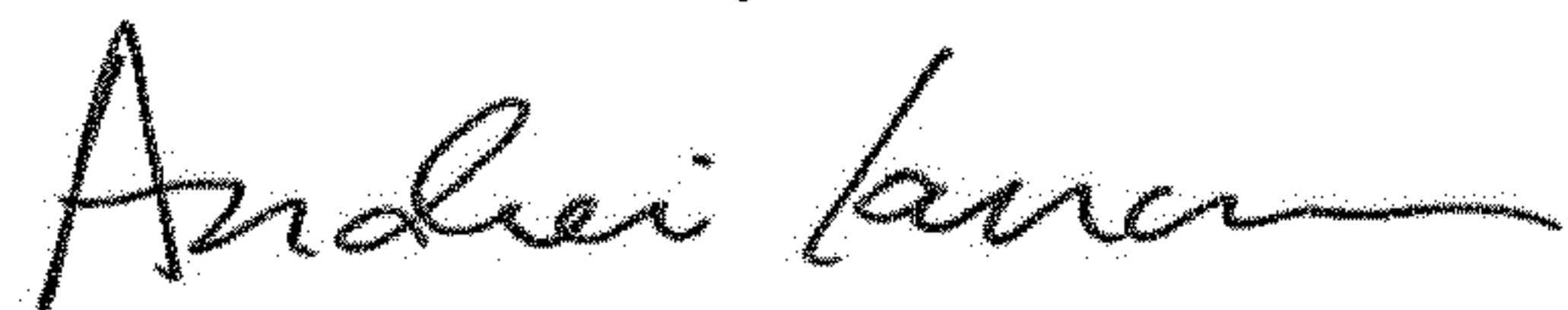
Page 1 of 1

It is certified that error appears in the above-identified patent and that said Letters Patent is hereby corrected as shown below:

On the Title Page

Item (30), Foreign Application Priority Data, "Jul. 20, 2016" should be -- Jul. 12, 2016 --.

Signed and Sealed this
Nineteenth Day of March, 2019



Andrei Iancu
Director of the United States Patent and Trademark Office