



US00D839049S

(12) **United States Design Patent**  
**Seiders et al.**

(10) **Patent No.:** **US D839,049 S**

(45) **Date of Patent:** **\*\* \*Jan. 29, 2019**

(54) **CUP**

(71) Applicant: **YETI Coolers, LLC**, Austin, TX (US)

(72) Inventors: **Roy Joseph Seiders**, Austin, TX (US);  
**John Alan Tolman**, Austin, TX (US);  
**Steve Charles Nichols**, Austin, TX (US)

(73) Assignee: **YETI Coolers, LLC**, Austin, TX (US)

(\*) Notice: This patent is subject to a terminal disclaimer.

(\*\*) Term: **15 Years**

(21) Appl. No.: **29/568,933**

(22) Filed: **Jun. 22, 2016**

(51) **LOC (11) Cl.** ..... **07-01**

(52) **U.S. Cl.**  
USPC ..... **D7/510; D7/523; D7/532**

(58) **Field of Classification Search**  
USPC ..... D7/507, 509, 510, 511, 523, 527, 529,  
D7/531, 532, 533, 534, 535, 536, 608,  
D7/300, 300.1, 300.2, 552.1, 319, 393,  
D7/394, 387, 391, 392.1, 396.2; D34/39;  
D9/503, 907, 531, 435, 436, 454, 449,  
D9/443; 220/592.16, 592.17, 495.03,  
220/705-710

CPC ..... A47G 19/22; A47G 19/2205; A47G  
19/2222; A45F 3/16; A45F 3/20; B67D  
7/06; B67D 1/0004; B65D 25/14

See application file for complete search history.

(56) **References Cited**

**U.S. PATENT DOCUMENTS**

D2,440 S	9/1866	Matthews, Jr.
604,514 A	5/1898	Belden
899,290 A	9/1908	Bricker et al.
1,133,420 A	3/1915	Young

D47,798 S	9/1915	Pick
2,029,429 A	2/1936	Koons
2,070,414 A	2/1937	Snell
D105,373 S	7/1937	Connor
2,088,387 A	7/1937	Rice, Jr. et al.
2,128,466 A	8/1938	Machotka
2,215,402 A	9/1940	McDonald
2,215,691 A	9/1940	East
2,378,867 A	6/1945	Reichart

(Continued)

**FOREIGN PATENT DOCUMENTS**

CN	3606899	2/2007
CN	202104668 U	1/2012

(Continued)

**OTHER PUBLICATIONS**

Snow Peak H860, posted by copperbrier at YouTube.com [online], posted on Nov. 13, 2011 Available on the Internet, <URL: https://youtu.be/rotGiNYY6ms>.

(Continued)

*Primary Examiner* — Marianne N Pandozzi

*Assistant Examiner* — Jae Liang

(74) *Attorney, Agent, or Firm* — Banner & Witcoff, Ltd.

(57) **CLAIM**

The ornamental design for a cup, as shown and described.

**DESCRIPTION**

FIG. 1 is a top, front, right perspective view of a cup showing our new design;

FIG. 2 is a front view thereof;

FIG. 3 is a rear view thereof;

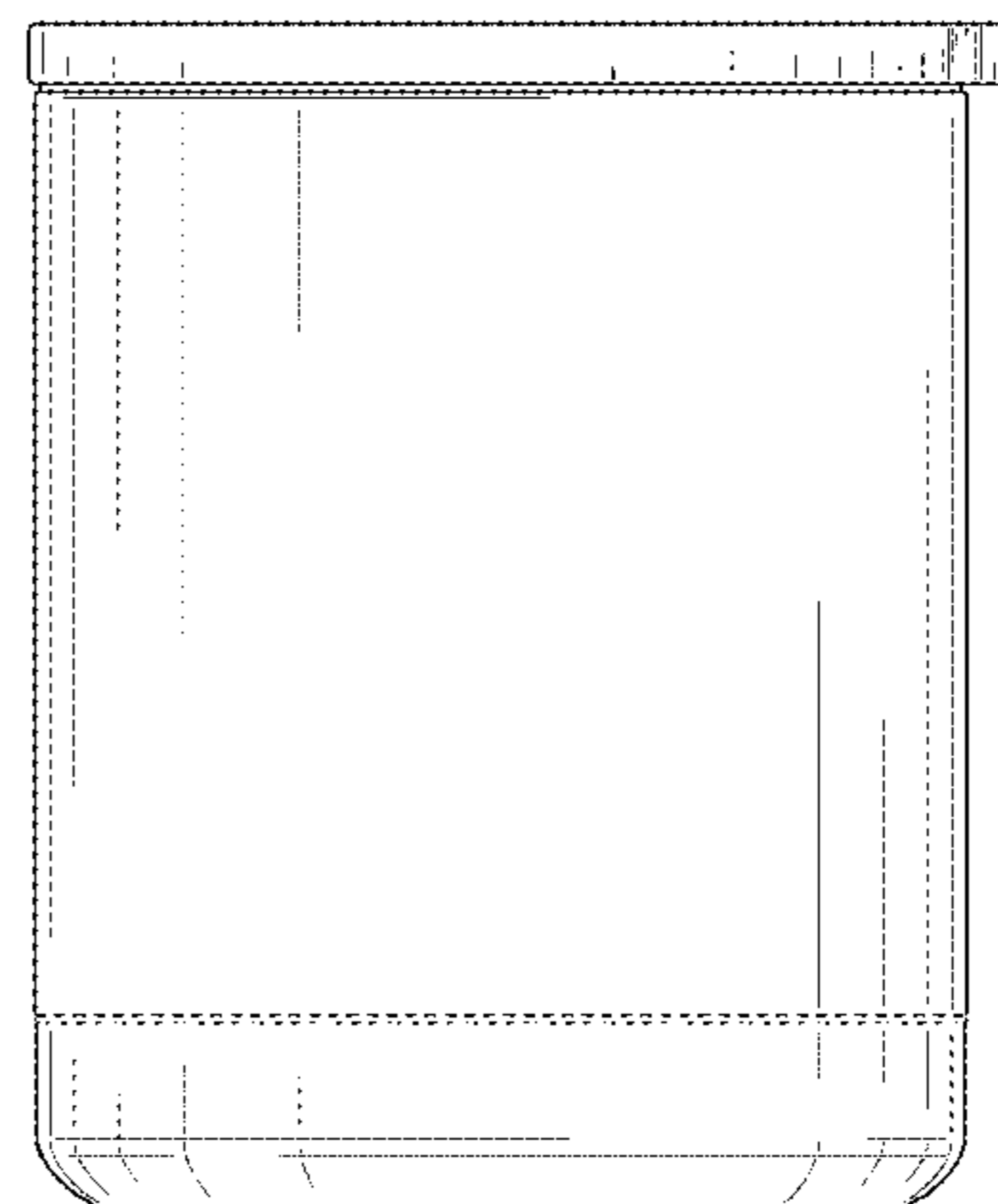
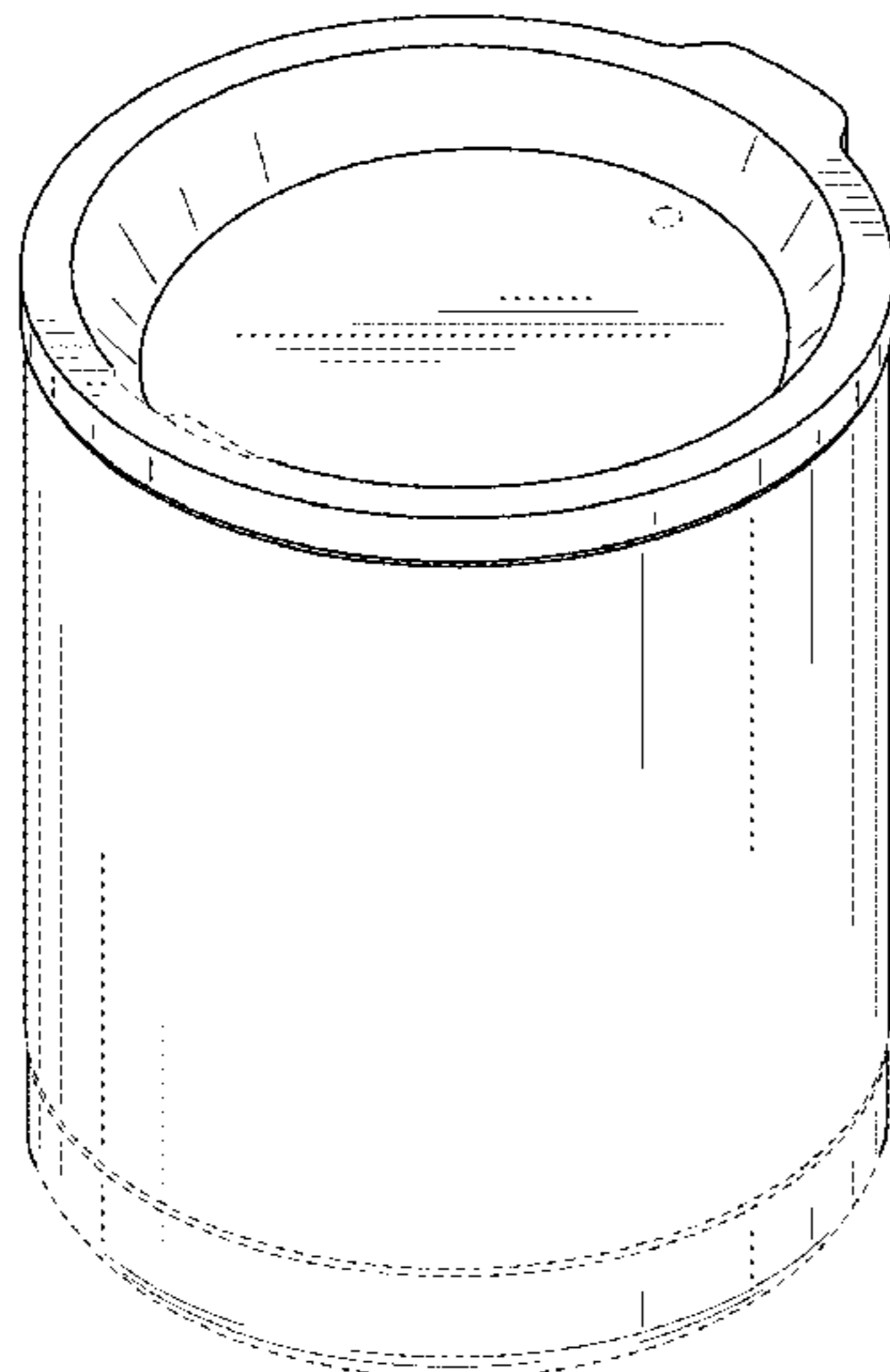
FIG. 4 is a right side view thereof;

FIG. 5 is a left side view thereof; and,

FIG. 6 is a top view thereof.

The broken lines in the drawings depict portions of the cup that form no part of the claimed design.

**1 Claim, 3 Drawing Sheets**



(56)

References Cited

U.S. PATENT DOCUMENTS

2,484,608 A	10/1949	Cheyney		D312,044 S	*	11/1990	Davis .....	D9/438
D177,559 S	5/1956	Emmert		4,993,675 A		2/1991	Walker	
2,871,051 A	1/1959	Nesslein et al.		D318,428 S		7/1991	Kowk	
D186,555 S	11/1959	Hunt		D322,753 S		12/1991	Sussman	
2,928,570 A	3/1960	Fitch		D324,281 S		2/1992	Brussing	
2,981,562 A	4/1961	Long		D324,976 S		3/1992	Katz	
3,128,029 A	4/1964	Price		D327,093 S		6/1992	Evenson	
3,202,309 A	8/1965	Simpson		D334,869 S		4/1993	Mills	
3,206,210 A	9/1965	Bard		D337,029 S		7/1993	McKechnie	
3,261,633 A	7/1966	Sakuta		5,249,703 A		10/1993	Karp	
3,342,370 A	9/1967	Johnson		D345,676 S		4/1994	Biffle	
D209,308 S	11/1967	Schilling		D352,210 S		11/1994	Cousins et al.	
3,353,729 A	11/1967	Hull		5,390,804 A		2/1995	Beggins	
D209,533 S	12/1967	Cole		5,398,842 A		3/1995	Sokolski et al.	
D211,818 S	7/1968	Massey		5,400,907 A		3/1995	Chen	
3,421,681 A *	1/1969	Frank .....	B65D 43/0268	D357,387 S		4/1995	Davidson et al.	
			215/254	D358,531 S	*	5/1995	Cousins .....	D7/612
3,458,164 A	7/1969	Massey		5,427,269 A		6/1995	Willbrandt	
3,463,140 A	8/1969	Rollor		D360,133 S	*	7/1995	Boller .....	D9/447
D217,781 S	6/1970	Stone		5,433,337 A		7/1995	Willbrandt	
3,571,940 A	3/1971	Bender		D363,642 S		10/1995	Goto et al.	
3,578,524 A	5/1971	Ignell		5,467,891 A		11/1995	Perry	
3,603,106 A	9/1971	Ryan et al.		D366,186 S		1/1996	Kato	
3,679,253 A	7/1972	Simms		D368,830 S		4/1996	Lu	
3,682,352 A	8/1972	Doucette		D370,300 S		5/1996	Gottvald et al.	
3,730,383 A	5/1973	Dunn et al.		5,531,353 A		7/1996	Ward et al.	
3,753,512 A *	8/1973	Curry .....	B65D 43/0218	D372,839 S		8/1996	Laib	
			220/260	D375,870 S		11/1996	Stonehouse	
3,755,030 A	8/1973	Doman et al.		5,573,141 A		11/1996	Chen	
D229,006 S	11/1973	Sauvey		D377,741 S		2/1997	Bennett et al.	
3,979,011 A	9/1976	Schleicher		D379,738 S		6/1997	Liming et al.	
3,995,445 A	12/1976	Huskins		D382,174 S		8/1997	Grimm	
D246,029 S	10/1977	Lynn et al.		5,655,805 A		8/1997	Shaddy	
4,120,073 A	10/1978	Studebaker		D384,557 S		10/1997	Goza	
4,127,915 A	12/1978	Logan et al.		D386,948 S		12/1997	Wissinger	
4,136,799 A	1/1979	Albert		D395,200 S		6/1998	Bidwell	
D251,175 S	2/1979	Logan et al.		D395,238 S		6/1998	Freitas	
4,151,923 A	5/1979	Bernardi et al.		5,769,262 A		6/1998	Yamada et al.	
4,163,374 A	8/1979	Moore et al.		D395,825 S		7/1998	Freitas	
4,183,226 A	1/1980	Moore		D396,381 S		7/1998	Chung	
D254,417 S	3/1980	DeMars et al.		D396,605 S		8/1998	Benson	
D256,418 S	8/1980	Corbett		5,788,298 A		8/1998	Cheng	
4,253,630 A	3/1981	Rigg		5,799,369 A		9/1998	Schulein	
D258,795 S	4/1981	Zamorski		D399,099 S	*	10/1998	Cousins .....	D7/615
D263,581 S	3/1982	Kaye		5,816,631 A		10/1998	Kochan	
D265,159 S	6/1982	La Barbera		5,820,016 A *		10/1998	Stropkay .....	B65D 1/265 206/459.5
D265,279 S	7/1982	Wright		D402,766 S		12/1998	Smith et al.	
D265,880 S	8/1982	Craig		5,848,722 A		12/1998	Hanes	
4,344,303 A	8/1982	Kelly, Jr.		D404,974 S		2/1999	Kristinik	
D266,391 S	10/1982	Jordon		D405,609 S		2/1999	Fu et al.	
D269,147 S	5/1983	Trombly		5,868,310 A		2/1999	Leszczynski	
4,452,374 A	6/1984	Hitchcock et al.		D408,689 S		4/1999	Kato	
4,452,375 A	6/1984	Marcus		D412,806 S		8/1999	Pierce	
4,456,134 A	6/1984	Cooper		D415,651 S	*	10/1999	Trombly .....	D7/391
D274,502 S *	7/1984	Little .....	D9/438	D416,444 S		11/1999	Jørgensen	
4,540,611 A	9/1985	Henderson		D416,757 S		11/1999	Ginuntoli	
D285,032 S	8/1986	Alonzo		D417,589 S		12/1999	Parker	
D286,604 S	11/1986	Bierlein et al.		D417,590 S		12/1999	Kato	
4,620,642 A *	11/1986	Wertz .....	B65D 43/021	D417,593 S		12/1999	Ruegg	
			220/377	D417,819 S	*	12/1999	Kelly-Pollet .....	D7/510
D286,967 S	12/1986	Appel		D418,013 S	*	12/1999	Fujii .....	D7/510
D288,766 S	3/1987	Tardif		6,050,443 A		4/2000	Tung	
4,654,274 A	3/1987	DeMars		6,065,609 A		5/2000	Lake	
D289,143 S	4/1987	Guillaume		6,065,632 A		5/2000	Moore, Jr.	
D289,484 S	4/1987	Forquer et al.		D427,853 S	*	7/2000	Kohlhase .....	D7/510
4,715,633 A	12/1987	Brink et al.		6,085,931 A		7/2000	Sadow	
4,720,023 A	1/1988	Jeff		D429,607 S		8/2000	Prim	
4,746,028 A	5/1988	Bagg		6,094,935 A		8/2000	Stein	
D298,200 S	10/1988	Block et al.		6,102,458 A		8/2000	Scace	
4,798,063 A	1/1989	Rimmer		6,135,312 A		10/2000	Chen et al.	
D300,495 S	4/1989	Minuti		D433,599 S		11/2000	Kristiansen et al.	
D301,821 S	6/1989	Bartolo		D433,876 S		11/2000	Freed	
4,848,625 A	7/1989	Lucia		6,149,028 A		11/2000	Yu	
4,953,743 A *	9/1990	Dart .....	B65D 43/0208	6,161,720 A		12/2000	Castle	
			220/369	D436,295 S		1/2001	Furman et al.	
				D437,187 S		2/2001	Cheng	
				6,216,909 B1		4/2001	Lin	
				D441,288 S *		5/2001	Pillers .....	D7/392.1

(56)

References Cited

U.S. PATENT DOCUMENTS

D442,833 S	5/2001	Shuman	
6,237,801 B1	5/2001	Liu	
6,241,415 B1	6/2001	Stark	
D445,687 S *	7/2001	Gilbertson .....	D7/392.1
6,260,732 B1	7/2001	Khodush	
D446,687 S	8/2001	Furman et al.	
6,332,557 B1	12/2001	Moran	
6,352,168 B1	3/2002	Lin	
6,352,235 B2	3/2002	Cizek	
6,360,913 B1	3/2002	Bruinsma et al.	
D455,052 S	4/2002	Gullickson et al.	
D455,610 S	4/2002	Bridges	
D455,612 S	4/2002	Gullickson et al.	
D455,613 S	4/2002	Bruinsma et al.	
D456,578 S	4/2002	Smith et al.	
D457,245 S	5/2002	Royal et al.	
D457,389 S	5/2002	Snell	
6,392,206 B1	5/2002	Von Arx et al.	
D458,081 S	6/2002	Bodum	
D460,895 S	7/2002	Lin	
D462,879 S	9/2002	Martens	
6,450,363 B1	9/2002	Lin	
D463,715 S	10/2002	Dretzka	
D465,132 S *	11/2002	Janky .....	D7/510
D466,371 S *	12/2002	Parker .....	D7/510
D466,814 S	12/2002	Hurlburt	
D470,724 S	2/2003	Basara	
D471,064 S	3/2003	Renz	
D471,763 S	3/2003	Hurlbut et al.	
D472,101 S	3/2003	Janky	
D472,145 S *	3/2003	Nottingham .....	D9/443
D474,651 S	5/2003	Ward	
6,557,751 B2	5/2003	Puerini	
D476,193 S	6/2003	Janky	
D476,528 S	7/2003	Janky et al.	
D477,185 S	7/2003	Janky	
6,588,064 B2	7/2003	Baum	
6,626,326 B2	9/2003	Murakami	
D483,165 S	12/2003	Dretzka	
D483,610 S	12/2003	Kerman	
D483,995 S	12/2003	Otake	
D484,361 S	12/2003	Jeung	
6,658,701 B1	12/2003	DeHart et al.	
D488,673 S	4/2004	Farce	
D489,574 S	5/2004	Copeland	
D490,274 S	5/2004	Irvine	
6,729,665 B1	5/2004	Posey et al.	
D493,068 S	7/2004	Slater et al.	
D493,332 S *	7/2004	Bin .....	D7/318
D497,778 S	11/2004	Rich	
D502,050 S *	2/2005	Munson .....	D7/392.1
6,864,462 B2	3/2005	Sanoner et al.	
D507,155 S *	7/2005	Gosen .....	D7/629
6,962,265 B1	11/2005	Zhang	
D512,272 S	12/2005	Avrish	
D512,275 S	12/2005	Kent-Fawkes	
6,979,031 B2	12/2005	Coppotelli et al.	
D524,607 S	7/2006	Kent-Fawkes	
D527,222 S	8/2006	Liu	
D530,852 S	10/2006	Zheng	
D533,748 S	12/2006	Bresler	
D534,396 S	1/2007	Kramer	
D537,676 S	3/2007	Kingsley	
D537,677 S	3/2007	Bresler	
7,195,137 B2	3/2007	Belcastro	
D540,124 S	4/2007	Ross	
7,207,538 B2	4/2007	Kent-Fawkes	
D547,611 S *	7/2007	Seum .....	D7/510
D548,012 S	8/2007	Tien	
D552,932 S	10/2007	Carlson	
D553,440 S	10/2007	Bodum	
7,284,777 B1	10/2007	Kraemer	
D556,509 S *	12/2007	Bonini .....	D7/507
D557,567 S	12/2007	Gronikowski et al.	
D561,590 S	2/2008	Kingsley	
D562,072 S	2/2008	Wahl	
D564,356 S *	3/2008	Nickleberry .....	D9/454
D565,901 S	4/2008	Edelstein et al.	
D566,471 S	4/2008	Bodum	
D568,685 S	5/2008	Bodum	
D569,183 S	5/2008	Blake	
H2217 H	6/2008	Smay et al.	
D570,213 S *	6/2008	Newman .....	D9/447
D572,136 S	7/2008	Boni	
D573,390 S	7/2008	Ablo	
D577,260 S	9/2008	Bodum	
D585,245 S	1/2009	Brouillette	
D587,523 S	3/2009	Moon	
D587,967 S	3/2009	Wahl	
D588,912 S	3/2009	Christensen et al.	
D592,015 S	5/2009	Carpenter	
D592,056 S *	5/2009	Tedford, Jr. ....	D9/447
D592,058 S	5/2009	Rapaport	
7,527,310 B2	5/2009	Shaskey, Sr.	
D593,372 S	6/2009	Carreno	
D593,811 S	6/2009	Carreno	
D593,859 S	6/2009	Barnum	
D594,687 S	6/2009	Bodum	
D595,133 S	6/2009	Lewis	
D598,747 S	8/2009	Caldwell	
D600,073 S	9/2009	Carreno	
7,581,704 B1	9/2009	Pugsley	
7,581,770 B2	9/2009	Jones	
7,604,270 B1	10/2009	McCarthy	
D608,133 S	1/2010	Choi	
D609,534 S	2/2010	Traficante et al.	
D610,006 S *	2/2010	Ortell .....	D9/454
D610,176 S	2/2010	Nagamine et al.	
7,686,183 B2	3/2010	Ziegler	
D613,554 S	4/2010	Koennecke	
D615,366 S	5/2010	Berezansky	
D615,817 S	5/2010	George	
D616,248 S	5/2010	George	
D617,608 S	6/2010	Yang et al.	
D617,640 S	6/2010	Jones	
D618,964 S	7/2010	Eisenhardt	
D621,667 S *	8/2010	Ablo .....	D7/629
D622,548 S	8/2010	Jensen et al.	
D622,554 S	8/2010	Carreno	
D626,414 S	11/2010	Cresswell et al.	
D627,192 S *	11/2010	Gilbert .....	D7/392.1
D629,657 S	12/2010	Carreno	
D629,691 S	12/2010	Cresswell et al.	
D631,699 S	2/2011	Moreau	
D635,400 S	4/2011	Snyder	
D636,640 S	4/2011	Latham	
D641,591 S	7/2011	Tsukida	
D643,289 S	8/2011	Harlan	
D648,599 S	11/2011	Watanabe et al.	
D652,256 S	1/2012	Eyal	
D653,082 S	1/2012	George	
D655,134 S	3/2012	Gilbert	
D656,361 S	3/2012	Gilbert	
D657,670 S *	4/2012	Folos .....	D9/447
D658,922 S	5/2012	Fallon et al.	
D659,474 S	5/2012	Wahl et al.	
D660,082 S	5/2012	Wahl	
D660,084 S	5/2012	Gilbert	
D660,655 S	5/2012	Wahl et al.	
D663,169 S	7/2012	Beggins et al.	
D664,001 S	7/2012	Liu	
8,225,957 B1	7/2012	Volan	
D665,491 S	8/2012	Goel et al.	
D666,061 S	8/2012	Ying	
8,251,247 B1	8/2012	Breckner	
D669,735 S	10/2012	Wong	
D670,525 S	11/2012	Fallon et al.	
D675,063 S	1/2013	Wahl	
D675,066 S	1/2013	Conlin et al.	
D675,100 S	1/2013	Herbst	
8,364,542 B2	1/2013	Grauel et al.	
D676,746 S *	2/2013	Shaffer .....	D9/443
D679,949 S	4/2013	Meritt	
D679,960 S	4/2013	Hopkins et al.	

(56)

References Cited

U.S. PATENT DOCUMENTS

D680,375 S 4/2013 Pousard et al.  
 D680,387 S 4/2013 Hopkins et al.  
 D682,625 S 5/2013 Lane  
 D682,626 S 5/2013 Lane  
 D684,459 S 6/2013 Stowe et al.  
 D685,231 S 7/2013 Lane  
 8,499,951 B1 8/2013 McDonald et al.  
 D691,847 S \* 10/2013 Beckman ..... D7/392.1  
 D693,176 S 11/2013 Kaiser  
 D693,649 S 11/2013 Yeung  
 D694,112 S 11/2013 Brown  
 D695,138 S 12/2013 Ball  
 8,608,019 B2 12/2013 Wren  
 D698,200 S 1/2014 Lauwagie  
 D699,595 S \* 2/2014 Farrow ..... D9/772  
 8,684,430 B1 4/2014 Brandon  
 D705,012 S 5/2014 Lapsker  
 D709,737 S 7/2014 Weinert et al.  
 D709,738 S 7/2014 Weinert et al.  
 D710,155 S 8/2014 Tatsukawa  
 D710,698 S \* 8/2014 Giraud ..... D7/396.2  
 D711,684 S 8/2014 Perdomo  
 D712,701 S 9/2014 Boroski  
 D713,686 S 9/2014 Eyal  
 D715,100 S \* 10/2014 Eyal ..... D7/510  
 D715,101 S 10/2014 Grcic  
 D717,605 S 11/2014 Kristinik  
 D717,606 S 11/2014 Kristinik  
 D719,785 S 12/2014 Grcic  
 D719,788 S 12/2014 Soltz et al.  
 D720,187 S 12/2014 Romley  
 8,899,644 B2 12/2014 Hancey  
 8,919,603 B2 12/2014 Greene  
 D721,250 S 1/2015 Chen et al.  
 D721,546 S 1/2015 Davidson  
 D724,385 S 3/2015 Hurley et al.  
 D727,688 S 4/2015 Hewitt et al.  
 D728,311 S 5/2015 Eyal  
 D728,314 S 5/2015 Carstensen et al.  
 D729,581 S 5/2015 Boroski  
 9,021,662 B1 5/2015 Jones  
 9,038,850 B1 5/2015 Wilson  
 D731,240 S \* 6/2015 Bell ..... D7/300.2  
 D731,241 S \* 6/2015 Yessin ..... D7/392.1  
 D731,251 S 6/2015 Lane  
 D732,338 S 6/2015 Boroski  
 D732,343 S 6/2015 Romley  
 D732,347 S 6/2015 Katterheinrich et al.  
 D734,096 S 7/2015 George et al.  
 D740,073 S 10/2015 Zorovich et al.  
 D740,077 S 10/2015 Strepkoff  
 D740,618 S 10/2015 Knoll  
 D742,743 S \* 11/2015 Thurin ..... D9/443  
 D743,207 S 11/2015 Pendleton et al.  
 D747,929 S 1/2016 Arseneau et al.  
 D751,341 S \* 3/2016 Seiders ..... D7/396.2  
 D752,397 S 3/2016 Seiders et al.  
 D754,536 S 4/2016 Arriaga  
 D759,483 S \* 6/2016 Jalet ..... D9/443  
 D764,870 S 8/2016 Choi  
 D766,661 S 9/2016 Bodum  
 D773,250 S 12/2016 Miller  
 D779,285 S 2/2017 Seiders et al.  
 D779,891 S 2/2017 Seiders et al.  
 D779,892 S 2/2017 Seiders et al.  
 D780,527 S 3/2017 Salaam  
 D780,530 S 3/2017 Seiders et al.  
 D780,531 S 3/2017 Seiders et al.  
 D780,532 S 3/2017 Seiders et al.  
 D780,533 S 3/2017 Seiders et al.  
 D784,137 S 4/2017 Cates  
 D786,023 S 5/2017 Polack et al.  
 D786,025 S 5/2017 Seiders et al.  
 D786,673 S \* 5/2017 Moffat ..... D7/392.1  
 D787,893 S 5/2017 Seiders et al.

D790,272 S \* 6/2017 Han ..... D7/396.2  
 D791,543 S \* 7/2017 Mulhauser ..... D7/510  
 D793,172 S 8/2017 Medina  
 D795,007 S \* 8/2017 Plassmeyer ..... D7/392.1  
 D795,643 S \* 8/2017 Barlow ..... D7/510  
 D797,510 S \* 9/2017 Ke ..... D7/510  
 D798,112 S \* 9/2017 Godsey ..... D7/510  
 D799,906 S 10/2017 Seiders et al.  
 D801,753 S 11/2017 Piper et al.  
 D803,001 S 11/2017 Bodum  
 D804,556 S 12/2017 Harada et al.  
 D807,125 S 1/2018 Seiders et al.  
 D808,733 S 1/2018 Spivey et al.  
 2002/0066758 A1 6/2002 Fadal et al.  
 2004/0080930 A1 4/2004 Winters et al.  
 2004/0187265 A1 9/2004 Ho  
 2005/0218109 A1 10/2005 Semersky et al.  
 2006/0175506 A1 8/2006 Lan  
 2007/0114236 A1 \* 5/2007 Shiffer ..... B65D 43/0212  
 220/782  
 2007/0295738 A1 12/2007 Hussain  
 2008/0012368 A1 1/2008 Kent-Fawkes  
 2008/0023434 A1 1/2008 Takayama  
 2008/0101056 A1 5/2008 Bhavnani  
 2008/0237242 A1 \* 10/2008 Gifford ..... A47G 23/0216  
 220/592.16  
 2009/0008399 A1 1/2009 Mayled et al.  
 2009/0065469 A1 3/2009 McClellan et al.  
 2009/0200322 A1 8/2009 Hunter  
 2011/0204017 A1 8/2011 O'Sullivan  
 2011/0233219 A1 9/2011 Proskey  
 2012/0074155 A1 3/2012 Yeung  
 2012/0261408 A1 10/2012 White  
 2013/0098932 A1 4/2013 Hunt  
 2013/0186849 A1 7/2013 Iwashita  
 2015/0041480 A1 2/2015 Ramsey  
 2015/0108150 A1 4/2015 Garcia  
 2015/0108152 A1 4/2015 Franzen et al.  
 2015/0164256 A1 6/2015 Helton  
 2015/0291316 A1 10/2015 Fietz  
 2016/0318692 A1 11/2016 Wilson

FOREIGN PATENT DOCUMENTS

CN 202891397 U 4/2013  
 CN 303263048 7/2015  
 EM 000564778-0001 8/2006  
 EM 001360911-0001 3/2013  
 EM 004374155-0003 9/2017  
 GB 3024951 7/2006  
 IN 250749-0001 8/2013  
 JP 1219538 10/2004  
 JP 1288694 12/2006  
 JP 1302290 6/2007  
 JP 1370441 10/2009  
 JP 1483261 11/2013  
 JP 1546179 S 3/2016  
 JP D2016-4373 11/2017  
 KR 300840850 2/2016  
 WO 0162614 A1 8/2001  
 WO 2006048119 A1 5/2006  
 WO 2011022857 A2 3/2011  
 WO 2012064184 A1 5/2012  
 WO 2013163725 A1 11/2013

OTHER PUBLICATIONS

Snow Peak 450ml, posted by keegansreviews at YouTube.com [online], posted on Jun. 5, 2015. Available on the Internet, <URL: <https://youtu.be/S9dSBijmxsM>>.  
 "Snow Peak Detail Specs", published earlier than Jan. 6, 2014, retrieved from <<http://global.rakuten.com/en/store/mitsuyoshi/item/tw-137-snowpeak/>> on May 22, 2017.  
 United States District Court Western District of Texas Austin Division, "Complaint," *Yeti Coolers, LLC v. Wadley Holdings, LLC d/b/a Meadowcraft, and Southern Sales & Marketing Group, Inc. d/b/a nICE*, Case 1:17-cv-00421, Document 1, filed May 5, 2017, 121 pages.

(56)

## References Cited

## OTHER PUBLICATIONS

United States District Court Western District of Texas Austin Division, "Complaint," *Yeti Coolers, LLC v. JDS Industries, Inc., Lionel Laundry Jr., d/b/a Accolades Awards & Engraving, Creating and Fast LLC d/b/a Promotional Products San Antonio, Kelly Scoggins d/b/a King Engraving, Jamey Z. Apps d/b/a Roberts Trophies, and Eagle Media, Inc.*, Case 1:17-cv-00424, Document 1, filed May 5, 2017, 62 pages.

United States District Court Western District of Texas Austin Division, "Complaint," *Yeti Coolers, LLC v. Glacier coolers, LLC, and Tecomate Holdings, LLC*, Case 1:17-cv-00586, Document 1, filed Jun. 15, 2017, 161 pages.

United States District Court Western District of Texas Austin Division, "Complaint," *Yeti Coolers, LLC v. Gametime Sidekicks, LLC*, Case 1:17-cv-00413, Document 1, filed May 5, 2017, 107 pages.

United States District Court Western District of Texas Austin Division, "Complaint," *Yeti Coolers, LLC v. Kodiak coolers, LLC and Flexible Automation LLC*, Case 1:17-cv-00422, Document 1, filed May 5, 2017, 51 pages.

United States District Court Western District of Texas Austin Division, "Complaint," *Yeti Coolers, LLC v. Gourmet Home Products, LLC*, Case: 1:17-cv-00533, Document #1, filed Jun. 2, 2017, 25 pages.

United States District Court Western District of Texas Austin Division, "Complaint," *Yeti Coolers, LLC v. Godinger-Silver Art, Ltd., Cathy's Concepts, Inc., Viatek Consumer Products Group, Inc.*, Case: 1:17-cv-00467, Document #1, filed May 16, 2017, 22 pages.

United States District Court Western District of Texas Austin Division, "Complaint," *Yeti Coolers, LLC v. Bayou Ice Boxes, Inc.*, Case: 1:17-cv-00261, Document #1, filed Mar. 24, 2017, 41 pages.

United States District Court Western District of Texas Austin Division, "Complaint," *Yeti Coolers, LLC v. Vickery Products, LLC d/b/a Axis Cups, f/d/b/a Frio Cups*, Case: 1:17-cv-00260, Document #1, filed Mar. 24, 2017, 52 pages.

United States District Court Western District of Texas Austin Division, "Complaint," *Yeti Coolers, LLC v. Benner China and Glassware Florida, Inc.*, Case: 1:16-cv-00142-RP, Document #1, filed Feb. 16, 2016, 21 pages.

United States District Court Western District of Texas Austin Division, "Complaint," *Yeti Coolers, LLC v. Blackbird Products Group, LLC, d/b/a Mammoth Coolers*, Case: 1:15-cv-01105, Document #1, filed Dec. 7, 2015, 266 pages.

United States District Court Western District of Texas Austin Division, "Defendant Blackbird Products Group, LLC's Answer and Affirmative Defenses to Plaintiff Yeti Coolers, LLC's Complaint," *Yeti Coolers, LLC v. Blackbird Products Group, LLC, d/b/a Mammoth Coolers*, Case: 1:15-cv-01105-SS, Document #13, filed Dec. 28, 2015, 11 pages.

United States District Court Western District of Texas Austin Division, "Order," *Yeti Coolers, LLC v. Blackbird Products Group, LLC, d/b/a Mammoth Coolers*, Case: 1:15-cv-01105-RP, Document #26, filed Apr. 20, 2016, 1 page.

United States District Court Western District of Texas Austin Division, "Complaint," *Yeti Coolers, LLC v. The Boelter companies, Inc., Boelter Brands, LLC and Boelter Beverage, LLC*, Case: 1:16-cv-00456, Document #1, filed Apr. 8, 2016, 20 pages.

United States District Court Western District of Texas Austin Division, "Defendants' Answer to Complaint," *Yeti coolers, LLC v. The Boelter Companies, Inc., Boelter Brands, LLC and Boelter Beverage, LLC*, Case: 1:16-cv-00456-RP, Document #21, filed Jun. 7, 2016, 9 pages.

United States District Court Western District of Texas Austin Division, "Consent Judgment," *Yeti Coolers, LLC v. The Boelter Companies, Inc., Boelter Brands, LLC and Boelter Beverage, LLC*, Case: 1:16-cv-00456-RP, Document #25, filed Sep. 13, 2016, 3 pages.

United States District Court Western District of Texas Austin Division, "Complaint," *Yeti Coolers, LLC v. Jennifer Leverage Bootz*

*Evans d/b/a Bling and Burlap Buy In's and Blanks*, Case: 1:15-cv-00995, Document #1, filed Nov. 2, 2015, 128 pages.

United States District Court Western District of Texas Austin Division, "Order," *Yeti Coolers, LLC v. Jennifer Leverage Bootz Evans d/b/a Bling and Burlap Buy In's and Blanks*, Case: 1:15-cv-00995-RP, Document #18, filed Apr. 18, 2016, 1 page.

United States District Court Western District of Texas Austin Division, "Defendant Kaiser Group Inc.'s Answer, Affirmative Defenses, and Counterclaims to Plaintiff Yeti Coolers, LLC's Complaint," *Yeti Coolers, LLC v. Kaiser Group Inc., d/b/a Thermo Steel, d/b/a Vino2Go, d/b/a Brew2GO*, Case: 1:15-cv-00725-RP, Document #14, filed October 13, 2015, 65 pages.

United States District Court Western District of Texas Austin Division, "Complaint," *Yeti Coolers, LLC v. Great American Products, Ltd.*, Case: 1:15-cv-00686, Document #1, filed Aug. 6, 2015, 20 pages.

United States District Court Western District of Texas Austin Division, "Order," *Yeti Coolers, LLC v. Great American Products, Ltd.*, Case: 1:15-cv-00686-RP, Document #25, filed Mar. 14, 2016, 1 page.

United States District Court Western District of Texas Austin Division, "Complaint," *Yeti Coolers, LLC v. Home Depot U.S.A., Inc., Takeya USA Corporation*, Case: 1:17-cv-00342, Document #1, filed Apr. 12, 2017, 24 pages.

United States District Court Western District of Texas Austin Division, "Complaint," *Yeti Coolers, LLC v. Ideastage Promotions, LLC, d/b/a Swag Brokers*, Case: 1:15-cv-00774, Document #1, filed Sep. 2, 2015, 22 pages.

United States District Court Western District of Texas Austin Division, "Order," *Yeti Coolers, LLC v. Ideastage Promotions, LLC, d/b/a Swag Brokers*, Case: 1:15-cv-00774-RP, Document #19, filed Dec. 21, 2015, 1 page.

United States District Court Western District of Texas Austin Division, "Complaint," *Yeti Coolers, LLC v. Imagen Brands, LLC, d/b/a Crown Products, and Ebsco Industries, Inc.*, Case: 1:16-cv-00578-RP, Document #1, filed May 16, 2016, 20 pages.

United States District Court Western District of Texas Austin Division, "Complaint," *Yeti Coolers, LLC v. Kaiser Group Inc., d/b/a Thermo Steel, d/b/a Vino2GO, d/b/a Brew2Go*, Case: 1:15-cv-00725, Document #1, filed Aug. 19, 2015, 21 pages.

United States District Court Western District of Texas Austin Division, "Complaint," *Yeti Coolers, LLC v. Kuer Outdoors, LLC*, Case: 1:16-cv-00631, Document #1, filed May 27, 2016, 89 pages.

United States District Court Western District of Texas Austin Division, "Complaint," *Yeti Coolers, LLC v. Magnum Solace LLC*, Case: 1:16-cv-00663-RP, Document #1, filed Jun. 7, 2016, 24 pages.

United States District Court Western District of Texas Austin Division, "Defendant's Rule 12(B)(6) Motion to Dismiss For Failure to State a Claim," *Yeti Coolers, LLC v. Magnum Solace LLC*, Case: 1:16-cv-00663-RP, Document #10, filed Aug. 5, 2016, 30 pages.

United States District Court Western District of Texas Austin Division, "Defendant's Answer," *Yeti Coolers, LLC v. Magnum Solace LLC*, Case: 1:16-cv-00663-RP, Document #34, filed Apr. 13, 2017, 7 pages.

United States District Court Western District of Texas Austin Division, "Defendant's Answer to Plaintiff's Complaint and Affirmative Defenses," *Yeti Coolers, LLC v. MyCrew, LLC, MyCrew Drinkware, LLC and NNRiverLife, LLC*, Case: 1:16-cv-01008-RP, Document #14, filed Nov. 29, 2016, 12 pages.

United States District Court Western District of Texas Austin Division, "Complaint," *Yeti Coolers, LLC v. MyCrew, LLC, MyCrew Drinkware, LLC and NNRiverLife, LLC*, Case: 1:16-cv-01008, Document #1, filed Aug. 26, 2016, 29 pages.

United States District Court Western District of Texas Austin Division, "RTIC Drinkware's First Amended Complaint for Declaratory Judgment," *RTIC Drinkware, LLC v. Yeti Coolers, LLC*, Case: 1:16-cv-00907-RP, Document #52, filed Nov. 14, 2016, 124 pages.

United States District Court Western District of Texas Austin Division, "Yeti Coolers, LLC's Answer to RTIC Drinkware's First Amended Complaint," *RTIC Drinkware, LLC v. Yeti Coolers, LLC*, Case: 1:16-cv-00907-RP, Document #58, filed Dec. 1, 2016, 15 pages.

(56)

## References Cited

## OTHER PUBLICATIONS

United States District Court Western District of Texas Austin Division, "Yeti Coolers, LLC's Answer to RTIC Drinkware LLC's Complaint," *RTIC Drinkware, LLC v. Yeti Coolers, LLC*, Case: 1:16-cv-00907-RP, Document #35, filed Aug. 3, 2016, 27 pages.

United States District Court for the Southern District of Texas Houston Division, "RTIC Drinkware's Original Complaint or Declaratory Judgment, Damages, and Injunctive Relief," *RTIC Drinkware, LLC v. Yeti Coolers, LLC*, Case: 4:16w-01201, Document #1, filed May 2, 2016, 58 pages.

United States District Court Western District of Texas Austin Division, "Order," *RTIC Drinkware, LLC v. Yeti Coolers, LLC*, Case: 1:16-cv-00907-RP, Document #47, filed Oct. 13, 2016, 3 pages.

United States District Court Western District of Texas Austin Division, "Defendant RTIC Drinkware, LLC, RTIC Web Services, LLC, Corporate Support & Fulfillment, LLC, John Jacobsen, and James Jacobsen's Answer and Counterclaims to Yeti's First Amended Complaint for Damages and Injunctive Relief," *Yeti Coolers, LLC v. RTIC Coolers, LLC, RTIC Drinkware, LLC, RTIC Web Services, LLC, Corporate Support & Fulfillment, LLC; John Jacobsen; and James Jacobsen*, Case: 1:16-cv-00264-RP, Document #25, filed Jun. 13, 2016, 42 pages.

United States District Court Western District of Texas Austin Division, "Complaint," *Yeti Coolers, LLC v. RTIC coolers, LLC*, Case: 1:16-cv-00264, Document #1, filed Mar. 2, 2016, 34 pages.

United States District Court Western District of Texas Austin Division, "Yeti Coolers, LLC's Answer to RTIC Drinkware, LLC's, RTIC Web Services, LLC's, Corporate Support & Fulfillment, LLC's, John Jacobsen's, and James Jacobsen's Counterclaims," *Yeti Coolers, LLC v. RTIC Coolers, LLC, RTIC Drinkware, LLC, RTIC Web Services, LLC, Corporate Support & Fulfillment, LLC, John Jacobsen, and James Jacobsen*, Case: 1:16-cv-00264-RP, Document #31, filed Jul. 7, 2016, 7 pages.

United States District Court Western District of Texas Austin Division, "First Amended Complaint," *Yeti Coolers, LLC v. Sam's West, Inc., and Sam's East, Inc.*, Case: 1:16-cv-00829-RP, Document #32, filed Jan. 9, 2017, 24 pages.

United States District Court Western District of Texas Austin Division, "Defendants Sam's West, Inc. and Sam's East, Inc.'s Answer to Complaint," *Yeti Coolers, LLC v. Sam's West, Inc., and Sam's East, Inc.*, Case: 1:16-cv-00829-RP, Document #16, filed Aug. 26, 2016, 11 pages.

United States District Court Western District of Texas Austin Division, "Complaint," *Yeti Coolers, LLC v. Sam's West, Inc., and Sam's East, Inc.*, Case: 1:16-cv-00829, Document #1, Jun. 30, 2016, 21 pages.

United States District Court Western District of Texas Austin Division, "First Amended Complaint," *Yeti Coolers, LLC v. Sic Products LLC, d/b/a Sic Cups, d/b/a Sic*, Case: 1:16-cv-00117-RP, Document #34, Nov. 21, 2016, 25 pages.

United States District Court Western District of Texas Austin Division, "Sic Products, LLC's Answer, Affirmative Defenses, and Counterclaims to Plaintiff's Amended Complaint," *Yeti Coolers, LLC v. Sic Products LLC, d/b/a Sic cups, d/b/a Sic*, Case: 1:16-cv-00117-RP, Document #35, Dec. 5, 2016, 81 pages.

United States District Court Western District of Texas Austin Division, "Sic Products, LLC's Answer, Affirmative Defenses, and Counterclaims to Plaintiff's Complaint," *Yeti Coolers, LLC v. Sic Products LLC, d/b/a Sic Cups, d/b/a Sic*, Case: 1:16-cv-00117-RP, Document #14, Jun. 3, 2016, 38 pages.

United States District Court Western District of Texas Austin Division, "Complaint," *Yeti Coolers, LLC v. Sic Products LLC, d/b/a Sic Cups, d/b/a Sic*, Case: 1:16-cv-00117-RP, Document #1, Feb. 4, 2016, 23 pages.

United States District Court Western District of Texas Austin Division, "Yeti Coolers, LLC's Answer to Sic Products, LLC Counterclaims," *Yeti Coolers, LLC v. Sic Products LLC, d/b/a Sic Cups, d/b/a Sic*, Case: 1:16-cv-00117-RP, Document #21, Sep. 29, 2016, 15 pages.

United States District Court Western District of Texas Austin Division, "Yeti Coolers, LLC's Answer to Sic Products, LLC Counterclaims to Yeti Coolers, LLC's Amended Complaint," *Yeti Coolers, LLC v. Sic Products LLC, d/b/a Sic cups, d/b/a Sic*, Case: 1:16-cv-00117-RP, Document #38, Dec. 19, 2016, 20 pages.

United States District Court Western District of Texas Austin Division, "Complaint," *Yeti Coolers, LLC v. The Allen company, d/b/a Allen Color Craft*, Case: 1:15-cv-00888-RP, Document #1, Oct. 6, 2015, 24 pages.

United States District Court Western District of Texas Austin Division, "Complaint," *Yeti Coolers, LLC v. Titan Custom Products, Inc.*, Case: 1:15-cv-00775, Document #1, Sep. 2, 2015, 22 pages.

United States District Court Western District of Texas Austin Division, "Answer," *Yeti Coolers, LLC v. Tree Leaf Marketing, LLC d/b/a Big Frig*, Case: 1:16-cv-00699-RP, Document #11, Oct. 21, 2016, 8 pages.

United States District Court Western District of Texas Austin Division, "Complaint," *Yeti Coolers, LLC v. Tree Leaf Marketing, LLC d/b/a Big Frig*, Case: 1:16-cv-00699, Document #1, Jun. 17, 2016, 33 pages.

United States District Court Western District of Texas Austin Division, "Complaint," *Yeti Coolers, LLC v. US Imprints, LLC, d/b/a GOimprints*, Case: 1:15-cv-00773, Document #1, Sep. 2, 2015, 22 pages.

United States District Court Western District of Texas Austin Division, "Order," *Yeti Coolers, LLC v. US Imprints, LLC, d/b/a GOimprints*, Case: 1:15-cv-00773-RP, Document #23, Apr. 25, 2016, 1 page.

United States District Court Western District of Texas Austin Division, "Veterinary Internet Company, LLC d/b/a VetInternetCo's Answer to Plaintiffs Complaint," *Yeti Coolers, LLC v. Polar Pad LLC, d/b/a Polar Drifter, d/b/a Polar Pad, and Veterinary Internet Company, LLC, d/b/a VetInternetCo*, Case: 1:16-cv-00677-RP, Document #11, Aug. 19, 2016, 12 pages.

United States District Court Western District of Texas Austin Division, "Complaint," *Yeti Coolers, LLC v. Polar Pad LLC, d/b/a Polar Pad Drifter, d/b/a Polar Pad, and Veterinary Internet Company, LLC, d/b/a VetInternetCo*, Case: 1:16-cv-00128, Document #1, Feb. 12, 2016, 24 pages.

United States District Court Western District of Texas Austin Division, "Complaint," *Yeti Coolers, LLC v. Polar Pad LLC, d/b/a Polar Pad Drifter, d/b/a Polar Pad, and Veterinary Internet Company, LLC, d/b/a VetInternetCo*, Case: 1:16-cv-00677, Document #1, Jun. 10, 2016, 25 pages.

United States District Court Western District of Texas Austin Division, "Order," *Yeti Coolers, LLC v. Polar Pad LLC, d/b/a Polar Pad Drifter, d/b/a Polar Pad, and Veterinary Internet Company, LLC, d/b/a VetInternetCo*, Case: 1:16-cv-00128-RP, Document #17, Jun. 17, 2016, 1 page.

United States District Court Western District of Texas Austin Division, "[Proposed] Order Granting Stipulated Motion to Dismiss Defendant Polar Pad, LLC, Without Prejudice, Pursuant to Fed. R. Civ. P. 21," *Yeti Coolers, LLC v. Polar Dad LLC, d/b/a Polar Pad Drifter, d/b/a Polar Pad, and Veterinary Internet Company, LLC, d/b/a VetInternetCo*, Case: 1:16-cv-00677-RP, Document #14, Sep. 15, 2016, 1 page.

United States District Court Western District of Texas Austin Division, "Complaint," *Yeti Coolers, LLC v. Vickery Products, LLC d/b/a Axis Cups, f/d/b/a Frio Cups*, Case: 1:17-cv-00260, Document #1, Mar. 24, 2017, 52 pages.

United States District Court Western District of Texas Austin Division, "First Amended Complaint," *Yeti Coolers, LLC v. Wal-Mart Stores, Inc. and Olympia Tools International, Inc.*, Case: 1:16-cv-00454-RP, Document #17, May 24, 2016, 26 pages.

United States District Court Western District of Texas Austin Division, "Complaint," *Yeti Coolers, LLC v. Wal-Mart Stores, Inc.*, Case: 1:16-cv-00454, Document #1, Apr. 8, 2016, 29 pages.

United States District Court Western District of Texas Austin Division, "Olympia Tools International, Inc.'s Answer to Yeti Coolers, LLC's First Amended Complaint," *Yeti Coolers, LLC v. Wal-Mart Stores, Inc. and Olympia Tools International, Inc.*, Case: 1:16-cv-00454-RP, Document #28, Jul. 14, 2016, 12 pages.

(56)

## References Cited

## OTHER PUBLICATIONS

United States District Court Western District of Texas Austin Division, “Wal-Mart Stores, Inc.’s Answer to First Amended Complaint,” *Yeti Coolers, LLC v. Wal-Mart Stores, Inc. and Olympia Tools International, Inc.*, Case: 1:16-cv-00454-RP, Document #22, Jun. 7, 2016, 13 pages.

United States District Court Western District of Texas Austin Division, “Plaintiffs’ Complaint for Damages and Injunctive Relief,” *Yeti Coolers, LLC v. Seth Stevens d/b/a SDS Marketing d/b/a Eskimo Coolers, Panther Group LLC d/b/a Eskimo Coolers, Panther Group Sales, LLC d/b/a Eskimo Coolers, and Silver Fox Sales, LLC*, Case 1:17-cv-00423, Document 1, filed May 5, 2017, 77 pages.

United States District Court Western District of Texas Austin Division, “Defendant Kelly Scoggins d/b/a King Engraving’s Memorandum in Support of Rule 12(b)(6) Motion to Dismiss and Motion to Take Judicial Notice,” *Yeti Coolers, LLC v. JDS Industries, Inc., Lionel Landry Jr., d/b/a Accolades d/b/a Accolades Awards & Engraving, Creative and Fast LLC d/b/a Promotional Products San Antonio, Kelly Scoggins d/b/a King Engraving*, Case: 1:17-cv-00424-RP, Document #65, filed Aug. 11, 2017, 28 pages.

United States District Court Western District of Texas Austin Division, “Defendant Kelly Scoggins d/b/a King Engraving’s Reply in Support of Rule 12(b)(6) Motion to Dismiss,” *Yeti Coolers, LLC v. JDS Industries, Inc., Lionel Landry Jr., d/b/a Accolades d/b/a Accolades Awards & Engraving, Creative and Fast LLC d/b/a Promotional Products San Antonio, Kelly Scoggins d/b/a King Engraving*, Case: 1:17-cv-00424-RP, Document #75, filed Sep. 1, 2017, 26 pages.

United States District Court Western District of Texas Austin Division, “Second Amended Complaint,” *Yeti Coolers, LLC v. Sam’s West, Inc., and Sam’s East, Inc., and CY Top, Ltd.*, Case: 1:16-cv-00829-RP, Document #51, filed Sep. 22, 2017, 49 pages.

United States District Court Western District of Texas Austin Division, “Complaint,” *Yeti Coolers, LLC v. Bonanza.com, Inc.*, Case: 1:17-cv-00935, Document #1, filed Sep. 28, 2017, 142 pages.

United States District Court Western District of Texas Austin Division, “Complaint,” *Yeti Coolers, LLC v. Alibaba Group Holding Limited, Alibaba (China) Technology Co., Ltd., Alibaba.com Hong Kong Limited, Alibaba.com Singapore E-Commerce Private Limited, Hangzhou Alibaba Advertising Co. Ltd., and Huizhou Dashu Trading Co., Ltd.*, case: 1:17-cv-00936, Document #1, filed Sep. 28, 2017, 272 pages.

United States District Court Western District of Texas Austin Division, “Complaint,” *Yeti Coolers, LLC v. ContextLogic, Inc. d/b/a Wish.com*, Case: 1:17-cv-00937, Document #1, filed Sep. 28, 2017, 238 pages.

United States District Court Western District of Texas Austin Division, “Complaint,” *YETI Coolers, LLC v. Dunhuang Group, SZ Flowerfairy Technology Co., Ltd., Tan Er Pa Technology Co., Ltd., Shenzhen Great Electronic Technology Co., Ltd., and Huagong Trading Co.*, Case: 1:17-cv-00938, Document #1, filed Sep. 28, 2017, 272 pages.

“Yeti Press Release—Rambler Lowball”, published on Jul. 15, 2015, retrieved from <<http://yeti.com/press-releases/yeti-coolers-unveils-new-rambler-lowball>> on Mar. 14, 2017.

“Bekith Kids Water Mugs Stainless Steel Drinking Cups Double Wall Food Grade Durable Safe—Set of 2”, published date unknown, but for purposes of patent prosecution presumably a year prior to the filing date of the present application, retrieved from <[https://www.amazon.com/Bekith-Stainless-Drinking-Double-Durable/dp/B019JNKG7A/ref=pd\\_sim\\_79\\_5?encoding=UTF8&psc=1&refRID=ZP054HJK7VYT6T39DSYN](https://www.amazon.com/Bekith-Stainless-Drinking-Double-Durable/dp/B019JNKG7A/ref=pd_sim_79_5?encoding=UTF8&psc=1&refRID=ZP054HJK7VYT6T39DSYN)> on Mar. 14, 2017.

“Camp Cup”, published date unknown, but for purposes of patent prosecution presumably a year prior to the filing date of the present application, retrieved from <<https://www.miir.com/collections/camp-products/campcup>> on Mar. 13, 2017.

“Chinook Timberline Double-wall 12.5 Ounces Mug”, published date unknown, but for purposes of patent prosecution presumably a year prior to the filing date of the present application, retrieved from

<[https://www.amazon.com/Chinook-Timberline-Double-wall-12-5-Ounces/dp/B00261CO8U/ref=pd\\_sim\\_79\\_3?encoding=UTF8&psc=1&refRID=C586FMMXYCY44F2AZCJB](https://www.amazon.com/Chinook-Timberline-Double-wall-12-5-Ounces/dp/B00261CO8U/ref=pd_sim_79_3?encoding=UTF8&psc=1&refRID=C586FMMXYCY44F2AZCJB)> on Mar. 14, 2017.

“Double Wall Copper Coffee Mug”, published date unknown but at least as early as Mar. 14, 2017, retrieved from <[http://www.williamssonoma.com/products/1614242/?catalogId=27&sku=1614242&cm\\_ven=Google\\_PLA&cm\\_cat=Shopping&cm\\_pla=default&cm\\_ite=default&kwid=productads-adid%5E45527543503-device%5Ecplaid%5E83089551703-sku%5E1614242-adType%5EPLA&gclid=CIGFx4v9g9ECFYeEsw](http://www.williamssonoma.com/products/1614242/?catalogId=27&sku=1614242&cm_ven=Google_PLA&cm_cat=Shopping&cm_pla=default&cm_ite=default&kwid=productads-adid%5E45527543503-device%5Ecplaid%5E83089551703-sku%5E1614242-adType%5EPLA&gclid=CIGFx4v9g9ECFYeEsw)> on Mar. 14, 2017.

“Double Wall Stainless Steel Beer Mug”, published date unknown, but for purposes of patent prosecution presumably a year prior to the filing date of the present application, retrieved from <<https://www.vat19.com/item/stainless-steel-beer-mug>> on Mar. 14, 2017.

“Woodcraft 15oz Shop Mug Insulated Stainless Steel”, published date unknown, but for purposes of patent prosecution presumably a year prior to the filing date of the present application, retrieved from <[https://www.amazon.com/Woodcraft-15oz-Insulated-Stainless-Steel/dp/B004TQGH0S/ref=pd\\_sim\\_79\\_3?encoding=UTF8&psc=1&refRID=EYMWNTCKACXEY8YGJMJ](https://www.amazon.com/Woodcraft-15oz-Insulated-Stainless-Steel/dp/B004TQGH0S/ref=pd_sim_79_3?encoding=UTF8&psc=1&refRID=EYMWNTCKACXEY8YGJMJ)> on Mar. 14, 2017.

“Yeti Press Release—Rambler Colster”, published on Jan. 8, 2015, retrieved from <<http://yeti.com/press-releases/rambler-colster>> on Mar. 27, 2017.

Alexander, Emmet, “Removable Bicycle Cup Holder by Bookman”, posted Mar. 23, 2014 online, retrieved Jun. 6, 2016 from Internet, URL: <http://coolmensegear.com/removable-bicycle-cup-holder/>.

“Meyers California Rainbow Mug With Removable Wood Metal Handle”, retrieved from Internet on Jun. 6, 2016; URL: <https://www.pinterest.com/pin/148618856430252325/>.

“Tervis Tumbler Black 24 Oz. Handle”, retrieved from Internet Jun. 6, 2016; URL: <http://www.amazon.com/Tervis-Tumbler-Black-24oz-Handle/dp/B004VVHORG>.

Purdum, Sandra, “Mug or Tumbler Metal Handles Spare Parts”, retrieved from Internet Jun. 6, 2016; URL: [https://www.etsy.com/...r-tumbler-metalhandles-spare-parts?ga\\_order=most\\_relevant&ga\\_search\\_type=all&ga\\_view\\_type=gallery&ga\\_search\\_query=metal%20handled%20mugs&ref=sr\\_gallery\\_8](https://www.etsy.com/...r-tumbler-metalhandles-spare-parts?ga_order=most_relevant&ga_search_type=all&ga_view_type=gallery&ga_search_query=metal%20handled%20mugs&ref=sr_gallery_8).

“Red Removable Handle 16-Oz. Travel Tumbler”, retrieved from Internet Jun. 6, 2016, URL: <http://www.zulily.com/p/red-removable-handle-16-oz-travel-tumbler-120715-7353259.html>.

“Red Removable Handle 16-Oz. Travel Tumbler.” Accessed Aug. 31, 2016. Available online at URL: <<http://www.zulily.com/p/red-removable-handle-16-oz-travel-tumbler-120715-7353259.html>>.

“Removable Bicycle Cup Holder by Bookman.” Published Mar. 23, 2014. Accessed Aug. 31, 2016. Available online at URL: <<http://coolmensegear.com/removable-bicycle-cup-holder/>>.

“Meyers California Rainbow Mug with Removable Wood/Metal Handle.” Accessed Aug. 31, 2016. Available online at URL: <<https://www.pinterest.com/pin/148618856430252325/>>.

“Tervis Tumbler Black 24oz. Handle.” Amazon.com. Accessed Aug. 31, 2016. Available online at URL: <<https://www.amazon.com/Tervis-Tumbler-Black-24oz-Handle/dp/B004VVHORG>>.

“Spare Parts for Those Mugs or Tumblers with No Handles.” Accessed Aug. 31, 2016. Available online at URL: <[https://www.etsy.com/listing/255089724/parts-parts-parts-mug-or-tumbler-metal?ga\\_order=most\\_relevant&ga\\_search\\_type=all&ga\\_view\\_type=gallery&ga\\_search\\_query=metal+handled+mugs&ref=sr\\_gallery\\_8](https://www.etsy.com/listing/255089724/parts-parts-parts-mug-or-tumbler-metal?ga_order=most_relevant&ga_search_type=all&ga_view_type=gallery&ga_search_query=metal+handled+mugs&ref=sr_gallery_8)>.

Pictures of Great American Products Tumbler, published date unknown, but for purposes of patent prosecution presumably a year prior to the filing date of the present application.

Photographic image of Yeti 30oz Rambler Tumbler, published date unknown, but for purposes of patent prosecution presumably a year prior to the filing date of the present application.

Second photographic image of Yeti 30oz Rambler Tumbler, published date unknown, but for purposes of patent prosecution presumably a year prior to the filing date of the present application.

Promotional Items, Inc., “Stainless Steel 14oz. Deluxe Coffee Insulated Tumbler Lid”, retrieved from <[http://www.promotional-items-inc.com/catalog/stainless\\_steel\\_18oz\\_commuter\\_coffee\\_mug\\_lid.html](http://www.promotional-items-inc.com/catalog/stainless_steel_18oz_commuter_coffee_mug_lid.html)> on Aug. 27, 2015.

The Product Farm, “BeerNStein Rocks Tumbler Lid—Blue”, retrieved from <<http://store.theproductfarm.com/beerstein-rocks-tumbler-lid-blue/>> on Aug. 27, 2015.

(56)

## References Cited

## OTHER PUBLICATIONS

Hit Promotional Products, “24 Oz. Biggie Tumbler with Lid”, retrieved from <<http://www.hitpromo.net/product/show/5853/24-oz-biggie-tumbler-with-lid>> on Aug. 27, 2015.

The Alexon Group, “16 Oz. Stainless Steel Travel Mug with Slide Action Lid and Plastic Inner Liner”, retrieved from <<https://alexongroup.com/16-oz-stainless-steel-travel-mug-with-slide-action-lid-and-plastic-inner-liner>> on Aug. 27, 2015.

“New 16oz Insulated Coffee Travel Mug Stainless Steel Double Wall Thermos Tumbler”, retrieved from <<http://www.ebay.com/itm/New-16oz-Insulated-COFFEE-TRAVEL-MUG-Stainless-Steel-Double-Wall-Thermos-Tumbler-/171416296921>> on Aug. 27, 2015.

“Stainless Steel Travel Mug with Slide Action Lid and Plastic Inner Liner—16oz.”, retrieved from <<http://waterbottles.com/stainless-steel-travel-mug-with-slide-action-lid-and-plastic-inner-liner-16-oz>> on Aug. 27, 2015.

Vat19, “16 oz. Dual Auto/USB Heated Mug”, retrieved from <<https://www.vat19.com/item/16-oz-dual-auto-usb-heater-coffee-mug>> on Aug. 27, 2015.

Timolino, “Signature Thermal Travel Mug Slide—Tab Lid”, retrieved from <<http://timolino.com/products/signature-thermal-travel-mug-slide-tab-lid>> on Aug. 27, 2015.

Eshine Industrial & Maoyuan International, “400ml Double Wall Stainless Steel Travel Mug with Sliding Drink Lid”, retrieved from <<http://www.chinawaterbottle.com/product/400ml-double-wall-stainless-steel-travel-mug-with-sliding-drink-lid-77-520.html>> on Aug. 27, 2015.

Photo USA Electronic Graphic Inc., “17fl oz Personalised Travel Mug (Plastic Insert and Metal Shell, Reverse Screw)”, retrieved from <<http://www.meikeda.com/stainless-steel-mug/item/15-oz-personalised-travel-mug.html>> on Aug. 27, 2015.

Promo Industrial Co., Limited, “16 Oz. Blue Bullet Travel Mug W/ Handle”, retrieved from <[http://www.oempromo.com/Bottle-cup-and-mug/Mugs/index\\_73.htm](http://www.oempromo.com/Bottle-cup-and-mug/Mugs/index_73.htm)> on Aug. 27, 2015.

Gold Bond Inc., “16CT—16 oz Cafe Tumbler”, retrieved from <<http://www.goldbondinc.com/16ct>> on Aug. 27, 2015.

“Yeti Rambler 20 and 30 oz”, published on Apr. 19, 2014, retrieved from <https://web.archive.org/web/20140419041951/http://yeticoolers.com/rambler-tumblers/> on Sep. 2, 2015.

Photographic image of Yeti 20oz Rambler Tumbler, published date unknown, but for purposes of patent prosecution presumably a year prior to the filing date of the present application.

United States District Court Western District of Texas Austin Division, “Plaintiff Yeti Coolers, LLC’s Original complaint,” *Yeti Coolers, LLC v. Ontel Products Corporation and World Pack USA, LLC*, Case: 1:17-cv-00091-RP, Document #1, filed Feb. 8, 2017, 65 pages.

United States District Court Western District of Texas Austin Division, “Defendants’ Answers and Defenses to Plaintiff’s Original Complaint,” *Yeti Coolers, LLC v. Ontel Products Corporation and World Pack USA, LLC*, Case: 1:17-cv-00091-RP, Document #14, filed Feb. 21, 2017, 45 pages.

United States District Court Western District of Texas Austin Division, “Complaint for Damages and Injunctive Relief,” *Yeti Coolers, LLC v. Tree Leaf Marketing, LLC, d/b/a Big Frig*, Case: 1:16-cv-00699-RP, Document #26, filed Apr. 7, 2017, 39 pages.

“Hooler the handheld cooler”, published on Apr. 12, 2014, retrieved from <https://web.archive.org/web/20140412062054/http://www.hoolercooler.com/> on Aug. 4, 2015.

United States District Court Western District of Texas Austin Division, “Complaint for Damages and Injunctive Relief,” *Yeti Coolers, LLC v. Jennifer Leverne Bootz Evans d/b/a Bling and Burlap Buy In’s and Blanks*, Case: 1:15-cv-00995, Document #1, filed Nov. 2, 2015, 128 pages.

United States District Court Western District of Texas Austin Division, “Order Dismissing Case,” *Yeti Coolers, LLC v. Jennifer Leverne Bootz Evans d/b/a Bling and Burlap Buy In’s and Blanks*, Case: 1:15-cv-00995-RP, Document #18, filed Apr. 18, 2016, 1 page.

United States District Court Western District of Texas Austin Division, “Complaint for Damages and Injunctive Relief,” *Yeti Coolers, LLC v. RTIC Coolers, LLC*, Case: 1:16-cv-00264, Document #1, filed Mar. 2, 2016, 34 pages.

United States District Court Western District of Texas Austin Division, “Defendants’ Answer and Counterclaims to Yeti’s First Amended Complaint for Damages and Injunctive Relief,” *Yeti Coolers, LLC v. RTIC Coolers, LLC, RTIC Drinkware, LLC, RTIC Web Services, LLC, Corporate Support & Fulfillment, LLC, John Jacobsen, and James Jacobsen*, Case: 1:16-cv-00264-RP, Document #25, filed Jun. 13, 2016, 42 pages.

United States District Court Western District of Texas Austin Division, “Yeti Coolers, LLC’s First Amended Complaint,” *Yeti Coolers, LLC v. RTIC Coolers, LLC, RTIC Drinkware, LLC, RTIC Web Services, LLC, Corporate Support & Fulfillment, LLC, John Jacobsen, and James Jacobsen*, Case: 1:16-cv-00264-RP, Document #15, filed May 16, 2016, 110 pages.

United States District Court Western District of Texas Austin Division, “Complaint for Damages and Injunctive Relief,” *Yeti Coolers, LLC v. Tree Leaf Marketing, LLC, d/b/a Big Frig*, Case: 1:16-cv-00699, Document #1, filed Jun. 17, 2016, 33 pages.

United States District Court Western District of Texas Austin Division, “Complaint for Damages and Injunctive Relief,” *Yeti Coolers, LLC v. Wal-Mart Stores, Inc.*, Case: 1:16-cv-00454, Document #1, filed Apr. 8, 2016, 29 pages.

United States District Court Western District of Texas Austin Division, “Joint Rule 26(f) Report and Discovery Plan,” *Yeti Coolers, LLC v. Wal-Mart Stores, Inc. and Olympia Tools International, Inc.*, Case: 1:16-cv-00454-RP, Document #29, filed Jul. 28, 2016, 8 pages.

United States District Court Western District of Texas Austin Division, “Olympia Tools International, Inc.’s Answer to Yeti Coolers, LLC’s First Amended Complaint,” *Yeti Coolers, LLC v. Wal-Mart Stores, Inc. and Olympia Tools International, Inc.*, Case: 1:16-cv-00454-RP, Document #28, filed Jul. 14, 2016, 12 pages.

United States District Court Western District of Texas Austin Division, “Wal-Mart Stores, Inc.’s Answer to First Amended Complaint,” *Yeti Coolers, LLC v. Wal-Mart Stores, Inc. and Olympia Tools International, Inc.*, Case: 1:16-cv-00454-RP, Document #22, filed Jun. 7, 2016, 13 pages.

United States District Court Western District of Texas Austin Division, “First Amended Complaint for Damages and Injunctive Relief,” *Yeti Coolers, LLC v. Wal-Mart Stores, Inc. and Olympia Tools International, Inc.*, Case: 1:16-cv-00454-RP, Document #17, filed May 24, 2016, 26 pages.

United States District Court Western District of Texas Austin Division, “Complaint for Damages and Injunctive Relief,” *Yeti Coolers, LLC v. Magnum Solace LLC*, Case: 1:16-cv-00663-RP, Document #1, filed Jun. 7, 2016, 24 pages.

United States District Court Western District of Texas Austin Division, “Joint Rule 26(f) Report and Discovery Plan,” *Yeti Coolers, LLC v. RTIC Coolers, LLC, RTIC Drinkware, LLC, RTIC Web Services, LLC, Corporate Support & Fulfillment, LLC, John Jacobsen, and James Jacobsen*, Case: 1:16-cv-00264-RP, Document #26, filed Jun. 23, 2016, 7 pages.

United States District Court Western District of Texas Austin Division, “Defendant’s Rule 12(B)(6) Motion to Dismiss,” *Yeti Coolers, LLC v. Magnum Solace LLC*, Case: 1:16-cv-00663-RP, Document #10, filed Aug. 5, 2016, 30 pages.

United States District Court Western District of Texas Austin Division, “Yeti’s Opposition to Defendant’s Motion to Dismiss,” *Yeti Coolers, LLC v. Magnum Solace LLC*, Case: 1:16-cv-00663-RP, Document #12, filed Aug. 19, 2016, 17 pages.

United States District Court Western District of Texas Austin Division, “Complaint for Damages and Injunctive Relief,” *Yeti Coolers, LLC v. MyCrew, LLC, MyCrew Drinkware, LLC, and NNRiverLife, LLC*, Case: 1:16-cv-01008, Document #1, filed Aug. 26, 2016, 29 pages.

United States District Court Western District of Texas Austin Division, “Defendant’s Reply in Support of its Rule 12(B) (6) Motion to Dismiss,” *Yeti Coolers, LLC v. Magnum Solace LLC*, Case: 1:16-cv-00663-RP, Document #13, filed Aug. 29, 2016, 18 pages.



(56)

## References Cited

## OTHER PUBLICATIONS

“Siskiyou Sports CCS48F Oklahoma Sooners Flame Can Cooler”, published on Jul. 9, 2014, retrieved from <<http://www.sears.com/siskiyou-sports-ccs48f-oklahoma-sooners-flame-can-cooler/p-SPM7376348303>> on Sep. 16, 2016.

“Mini Keg Coozies! Beer Inside Kegs!”, published by Chad Dukes on Dec. 18, 2013, retrieved from <<http://beerandpig.com/category/beer/page/2/>> on Sep. 16, 2016.

“Stainless Steel Can Cooler”, published on Apr. 6, 2014, retrieved from <<http://www.belpromo.com/nd/detail.php?c=34&p=KZSS001&s=mvp23g56>> on Sep. 22, 2016.

“Stanley Vacuum Insulated Container—Thermos bottle”, published on Feb. 24, 2012, retrieved from <<https://www.youtube.com/watch?v=UCMjqZiNU3o>> on Sep. 23, 2016.

United States District Court Western District of Texas Austin Division, “Yeti’s Supplemental Brief in Opposition to Magnum’s Motion to Dismiss,” *Yeti Coolers, LLC v. Magnum Solace LLC*, Case: 1:16-cv-00663-RP, Document #16, filed Sep. 27, 2016, 7 pages.

United States District Court Western District of Texas Austin Division, “Defendant’s Opposed Motion for a Protective Order and Stay of Discovery,” *Yeti Coolers, LLC v. Magnum Solace LLC*, Case: 1:16-cv-00663-RP, Document #17, filed Oct. 3, 2016, 47 pages.

United States District Court Western District of Texas Austin Division, “Yeti’s Opposition to Magnum’s Motion for a Protective Order and Stay of Discovery,” *Yeti Coolers, LLC v. Magnum Solace LLC*, Case: 1:16-cv-00663-RP, Document #20, filed Oct. 11, 2016, 16 pages.

United States District Court Western District of Texas Austin Division, “Defendant’s Reply in Support of its Motion for a Protective Order and Stay of Discovery,” *Yeti Coolers, LLC v. Magnum Solace LLC*, Case: 1:16-cv-00663-RP, Document #22, filed Oct. 18, 2016, 5 pages.

JPO Prior art Reference No. HJ20071600.

English translation of Office Action dated Oct. 18, 2016 for JP Application No. 2016-004372, 3 pages.

English translation of Office Action dated Oct. 18, 2016 for JP Application No. 2016-004373, 3 pages.

United States District Court Western District of Texas Austin Division, “Defendants’ Motion to Dismiss Pursuant to Rule 12(b)(6),” *Yeti Coolers, LLC v. Imagen Brands, LLC, d/b/a Crown Products, and Ebsco Industries, Inc.*, Case 1:16-cv-00578-RP, Document #8, filed Oct. 4, 2016, 27 pages.

United States District Court Western District of Texas Austin Division, “Answer,” *Yeti Coolers, LLC v. Tree Leaf Marketing, LLC, d/b/a Big Frig*, Case: 1:16-cv-00699, Document #11, filed Oct. 21, 2016, 8 pages.

United States International Trade Commission, “Respondents Alibaba, Dunhuang Group, and Bonanza.com’s Notice of Prior Art,” In the Matter of: Certain Insulated Beverage Containers, Components, Labels, and Packaging Materials Thereof, Inv. No. 337-TA-1084, filed Feb. 9, 2018, 8 pages.

United States International Trade Commission, “Respondent Contextlogic, Inc.’s Notice of Prior Art,” In the Matter of: Certain Insulated Beverage Containers, Components, Labels, and Packaging Materials Thereof, Inv. No. 337-TA-1084, filed Feb. 9, 2018, 15 pages.

United State International Trade Commission, “The Commission Investigative Staff’s Notice of Prior Art” In the Matter of: Certain Insulated Beverage Containers, Components, Labels, and Packaging Materials Thereof, Inv. No. 337-TA-1084, filed Feb. 9, 2018, 4 pages.

Yeti Rambler Colster Beverage Holder [online], [retrieved Feb. 1, 2018] Retrieved from the Internet, URL: <<https://kevinscatalog.com/yeti-colster-beverage-holder-44-1064>>, 4 color page, published date unknown, but for purposes of patent prosecution prior to the filing date of the present application.

Firm Grip: The 15 Coolest Beer Koozies [online], [retrieved Mar. 16, 2018], Retrieved from the Internet, URL: <<http://hiconsumption.com/2014/01/firm-grip-the-15-coolest-beer-koozies/>>, 10 color pages, published date unknown, but for purposes of patent prosecution prior to the filing date of the present application.

Thermos Stainless Steel Can Insulator [online], [retrieved Mar. 19, 2018], Retrieved from the Internet, URL: <<https://www.youtube.com/watch?v=p8pV3BhAOiU>>, 1 color page, published on Oct. 8, 2008.

Custom Ventura Travel Tumbler—Promotional Travel Mugs at 4imprint [online], [retrieved Mar. 19, 2018], Retrieved from the Internet, URL: <<https://www.youtube.com/watch?v=e8okCU8DaP4>>, 1 color page, published on Dec. 19, 2014.

15 Oz. Stainless Steel Double Wall Tumbler [online], [retrieved Mar. 19, 2018], Retrieved from the Internet, URL: <<https://www.4allpromos.com/product/15-oz-stainless-steel-double-wall-tumbler>>, 5 color pages, published date unknown, but for purposes of patent prosecution prior to the filing date of the present application.

Personalized Color Touch Stainless Tumbler—Promotional Travel Mugs by 4imprint [online], [retrieved Mar. 19, 2018], Retrieved from the Internet, URL: <<https://www.youtube.com/watch?v=v7TLpRMCFIw>>, 1 color page, published on Dec. 18, 2014.

15 oz. Stainless Deal Tumbler—Custom Promotional Coffee Tumblers from InkHead.com [online], [retrieved Mar. 19, 2018], Retrieved from the Internet, URL: <<https://www.youtube.com/watch?v=vywesydY6xs>>, 1 color page, published on Jul. 11, 2011.

Reflections Metallic Tumbler [online], [retrieved Mar. 19, 2018], Retrieved from the Internet, URL: <<https://www.youtube.com/watch?v=cNT6h4cKfAs>>, 1 color page, published on Jan. 9, 2014.

Swag Standard | Seaside 15-oz. Travel Mug [online], [retrieved Mar. 19, 2018], Retrieved from the Internet, URL: <[https://www.youtube.com/watch?v=cb58zm\\_PSOo](https://www.youtube.com/watch?v=cb58zm_PSOo)>, 1 color page, published on Mar. 3, 2015.

Logo Coffee Mugs—Stainless Steel Tumbler w/ Color Trim—Marco [online], [retrieved Mar. 19, 2018], Retrieved from the Internet, URL: <<https://www.youtube.com/watch?v=2k72dgsWJy8>>, 1 color page, published on Apr. 21, 2014.

Promotional Cups—14 oz. Ventura Double Wall Travel Tumblers—Marco [online], [retrieved Mar. 19, 2018], Retrieved from the Internet, URL: <<https://www.youtube.com/watch?v=QAkt5III5J4>>, 1 color page, published on May 9, 2014.

SnapSeal™ Byron Travel Mug [online], [retrieved Mar. 19, 2018], Retrieved from the Internet, URL: <<https://www.youtube.com/watch?v=dL1ldCzILD0>>, 1 color page, published on Feb. 13, 2014.

Review of the Starbucks “Clip and Sip” Travel Coffee Mug [online], [retrieved Mar. 19, 2018], Retrieved from the Internet, URL: <<https://www.youtube.com/watch?v=6DfWKhLe1b4>>, 1 color page, published on Nov. 13, 2014.

Stainless Steel Curvy Tumbler (16 Oz.)—Q11830 [online], [retrieved Mar. 19, 2018], Retrieved from the Internet, URL: <<https://www.youtube.com/watch?v=8UCmHszwMLY>>, 1 color page, published on Jul. 8, 2012.

Best Tumbler Thermos Mug for caffè latte or messy drink: Starbucks Reserve Stainless Steel [online], [retrieved Mar. 19, 2018], Retrieved from the Internet, URL: <<https://www.youtube.com/watch?v=h2IWzV6wVbk>>, 1 color page, published on Oct. 22, 2014.

CamelBak Forge Travel Mugs | Crew Review [online], [retrieved Mar. 19, 2018], Retrieved from the Internet, URL: <<https://www.youtube.com/watch?v=XuR0u3OEndY>>, 1 color page, published on Jul. 23, 2015.

AUTOSEAL® West Loop Stainless Travel Mug with Easy-Clean Lid [online], [retrieved Mar. 19, 2018], Retrieved from the Internet, URL: <<https://www.youtube.com/watch?v=bClubrvh2zs>>, 1 color page, published on Feb. 6, 2014.

Stainless King Food Jar Youtube.wmv [online], [retrieved Mar. 19, 2018], Retrieved from the Internet, URL: <[https://www.youtube.com/watch?v=RGHArOT\\_rEs](https://www.youtube.com/watch?v=RGHArOT_rEs)>, 1 color page, published on Oct. 20, 2010.

Thermos Food Jar Review [online], [retrieved Mar. 19, 2018], Retrieved from the Internet, URL: <<https://www.youtube.com/watch?v=3esAaqKc4po>>, 1 color page, published on Jan. 26, 2013.

Thermos Infant [online], [retrieved Mar. 19, 2018], Retrieved from the Internet, URL: <<https://www.youtube.com/watch?v=vUf2MPVSODM>>, 1 color page, published on May 14, 2013.

(56)

**References Cited**

## OTHER PUBLICATIONS

Promo Travel Mugs—16 oz. Double Wall Stainless Steel Tumbler—Marco [online], [retrieved Mar. 19, 2018], Retrieved from the Internet, URL: <https://www.youtube.com/watch?v=sanCJS5rtig>, 1 color page, published on Nov. 21, 2012.

Contigo Autoseal Stainless Steel Vacuum Insulated Tumbler Travel Mug Full Review [online], [retrieved Mar. 19, 2018], Retrieved from the Internet, URL: <https://www.youtube.com/watch?v=O2aiMQmilFg>, 1 color page, published on Sep. 16, 2012.

ChillingTheMost.com Houston Boat Show 2014 [online], [retrieved Mar. 19, 2018], Retrieved from the Internet, URL: <https://www.youtube.com/watch?v=1vUQ43gVL38>, 1 color page, published on Aug. 29, 2014.

2012 Tampa Boat Show—Chilling the Most [online], [retrieved Mar. 19, 2018], Retrieved from the Internet, URL: <https://www.youtube.com/watch?v=IWgldQcYz48>, 1 color page, published on Oct. 1, 2012.

Contigo Autoseal Spill-Proof Travel Mug Review and Giveaway [online], [retrieved Mar. 19, 2018], Retrieved from the Internet, URL: <https://www.makeuseof.com/tag/contigo-autoseal-spill-proof-travel-mug-review-and-giveaway/>, 6 color pages, published on Dec. 28, 2010.

Klean Kanteen 27oz Stainless Steel Bottle w/ Built NY 27oz Bottle Tote [online], [retrieved Mar. 19, 2018], Retrieved from the Internet, URL: <https://www.youtube.com/watch?v=R411PhqF6Tc>, 1 color page, published on Sep. 3, 2009.

Teavana Contour Tumbler vs Thermos Review [online], [retrieved Mar. 20, 2018], Retrieved from the Internet, URL: <https://www.youtube.com/watch?v=O55uWyKiWRM>, 1 color page, published on Feb. 11, 2013.

KeepCup—Inside Business [online], [retrieved Mar. 20, 2018], Retrieved from the Internet, URL: <https://www.youtube.com/watch?v=hJ5xUpC8VXQ>, 1 color page, published on Feb. 14, 2012.

William & the Ordinary Hero Coffee Tumbler [online], [retrieved Mar. 20, 2018], Retrieved from the Internet, URL: <https://www.youtube.com/watch?v=CwpT\_KePTdk>, 1 color page, published on Jun. 10, 2011.

Persona Vacuum Tumbler (14 Oz.)—Q49231 [online], [retrieved Mar. 20, 2018], Retrieved from the Internet, URL: <https://www.youtube.com/watch?v=XUoRO3l-uhA>, 1 color page, published on Dec. 10, 2012.

Product Review: Klean Kanteen Wide Insulated [online], [retrieved Mar. 20, 2018], Retrieved from the Internet, URL: <https://www.apartmenttherapy.com/product-review-klean-kanteen-w-105234>, 4 color pages, published on Jan. 6, 2010.

GSI Fairshare Collapsible Cup [online], [retrieved Mar. 20, 2018], Retrieved from the Internet, URL: <https://www.youtube.com/watch?v=GqWiv4k8Ddc>, 1 color page, published on Jan. 14, 2013.

How to Clean The JOemo Reusable Travel Mug Lid [online], [retrieved Mar. 20, 2018], Retrieved from the Internet, URL: <https://www.youtube.com/watch?v=O39NGhuQDms>, 1 color page, published on Sep. 12, 2011.

SFS DM400 Photo Tumbler Printing Video [online], [retrieved Mar. 22, 2018], Retrieved from the Internet, URL: <https://www.youtube.com/watch?v=d9Xyb9StdRY>, 1 color page, published on Jul. 1, 2012.

Starbucks Stainless Steel Travel Press—Rose Gold 10 fl oz (011028166) Best Buy Deals | Bestseller [online], [retrieved Mar. 22, 2018], Retrieved from the Internet, URL: <https://www.youtube.com/watch?v=-dhoL4ohTOU>, 1 color page, published on Oct. 15, 2014.

Custom Full-Wrap Travel Tumbler—Promotional Tumblers by 4imprint [online], [retrieved Mar. 22, 2018], Retrieved from the Internet, URL: <https://www.youtube.com/watch?v=A8sveo1261s>, 1 color page, published on Nov. 12, 2014.

15 oz Maui Fusion Tumbler—Custom Travel Coffee Tumblers from InkHead.com [online], [retrieved Mar. 22, 2018], Retrieved from the Internet, URL: <https://www.youtube.com/watch?v=MrQAJR6skr8>, 1 color page, published on Apr. 12, 2013.

Thermos Vacuum Insulated 14 oz Travel Tumbler with Lever45; Operated Lid [online], [retrieved Apr. 4, 2018], Retrieved from the Internet, URL: <https://www.amazon.com/Thermos-Insulated-Stainless-Operated-Tumbler/dp/B00JM0KAZO/ref=sr\_1\_fkmr0\_1?ie=UTF8&qid=1522868078&sr=8-1-fkmr0&keywords=thermos+vacuum+insulated+14+oz+travel+tumbler+with+lever+45%3B+operated+lid>, 8 color pages, published date unknown, but for purposes of patent prosecution prior to the filing date of the present application.

Thermos Stainless Steel 14 Ounce Travel Tumbler with 360 Degree Lid [online], [retrieved Apr. 4, 2018], Retrieved from the Internet, URL: <https://www.amazon.com/Thermos-Stainless-Travel-Tumbler-Degree/dp/B000FOMQ40/ref=sr\_1\_1?ie=UTF8&qid=1522868265&sr=8-1&keywords=thermos+stainless+steel+14+ounce+travel+tumbler+with+360+degree+lid>, 7 color pages, published date unknown, but for purposes of patent prosecution prior to the filing date of the present application.

Maui Fusion Travel Mug—14 oz. [online], [retrieved Apr. 4, 2018], Retrieved from the Internet, URL: <https://www.4imprint.com/product/105878/maui-fusion-travel-mug-14-oz>, 2 color pages, published date unknown, but for purposes of patent prosecution prior to the filing date of the present application.

Thermos Funtainer 10 oz Food Jar [online], [retrieved Aug. 6, 2018], Retrieved from the Internet, URL: <https://www.amazon.com/Thermos-Funtainer-Ounce-Food-Blue/dp/B00CBFAE6W?ref=ast\_p\_pc\_rc>; 10 color pages, published Mar. 20, 2013.

Thermos Funtainer 16 oz Food Jar [online], [retrieved Aug. 6, 2018], Retrieved from the Internet, URL: <https://www.amazon.com/Thermos-Funtainer-Ounce-Food-Charcoal/dp/B01ATVK4KK?ref=ast\_p\_pc\_rc&th-1>; 7 color pages, published date Jan. 19, 2016.

U.S. Appl. No. 29/538,024, filed Aug. 31, 2015, by inventors Roy Joseph Seiders, John Alan Tolman and Steve Nichols.

U.S. Appl. No. 29/538,026, filed Aug. 31, 2015, by inventors Roy Joseph Seiders, John Alan Tolman and Steve Nichols.

U.S. Appl. No. 29/568,928, filed Jun. 22, 2016, by inventors Roy Joseph Seiders and John Alan Tolman.

\* cited by examiner

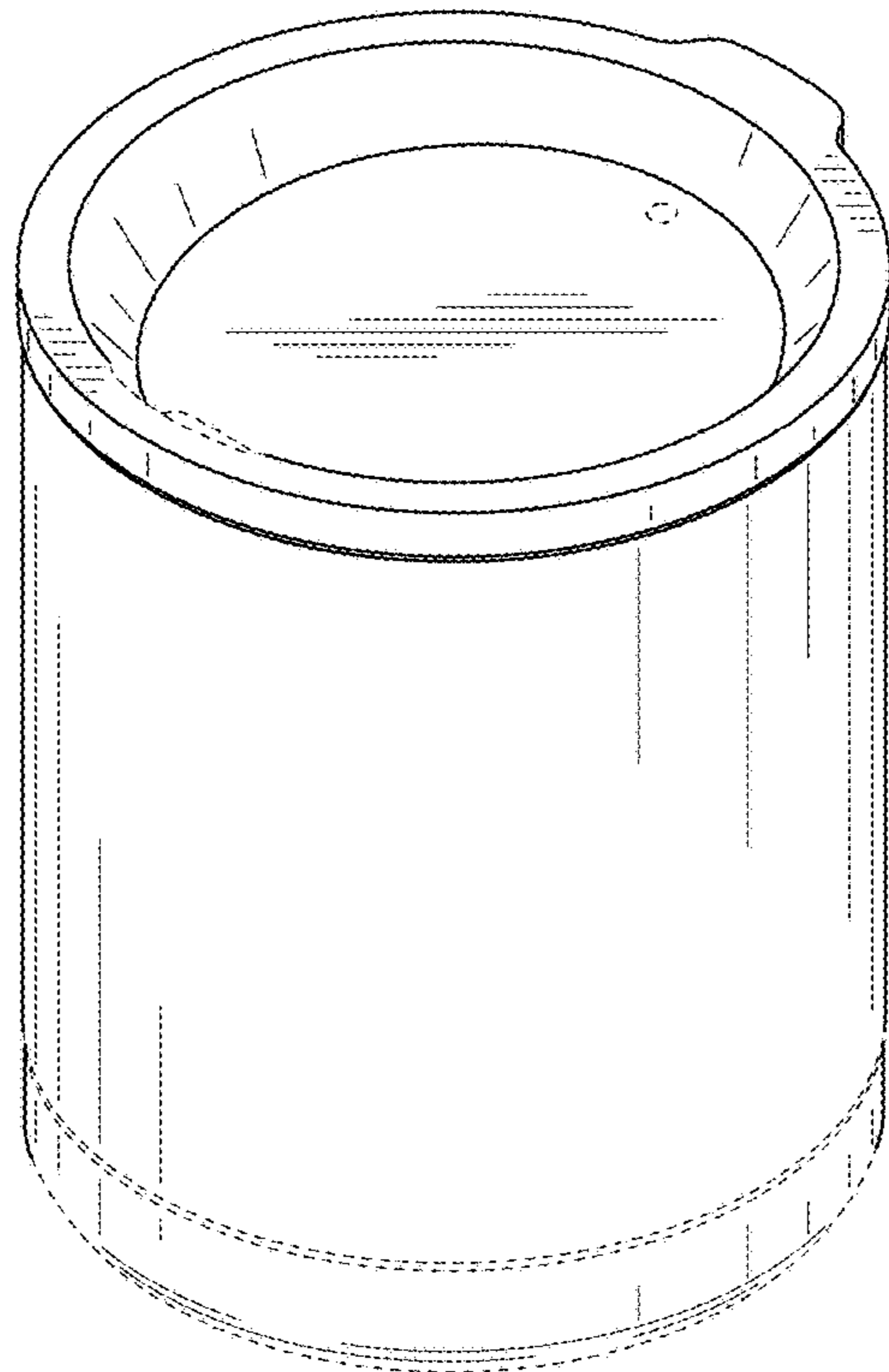


FIG. 1

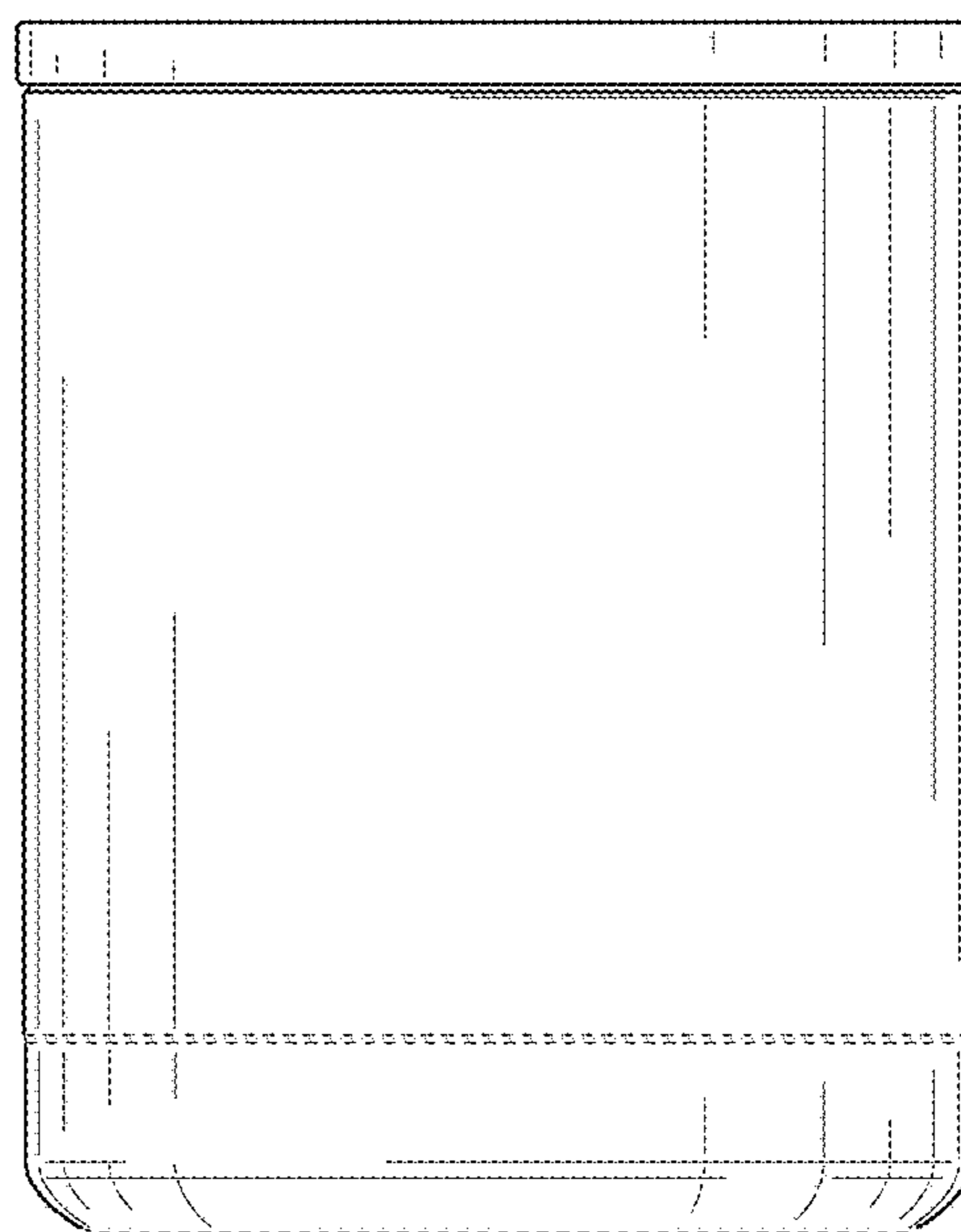


FIG. 2

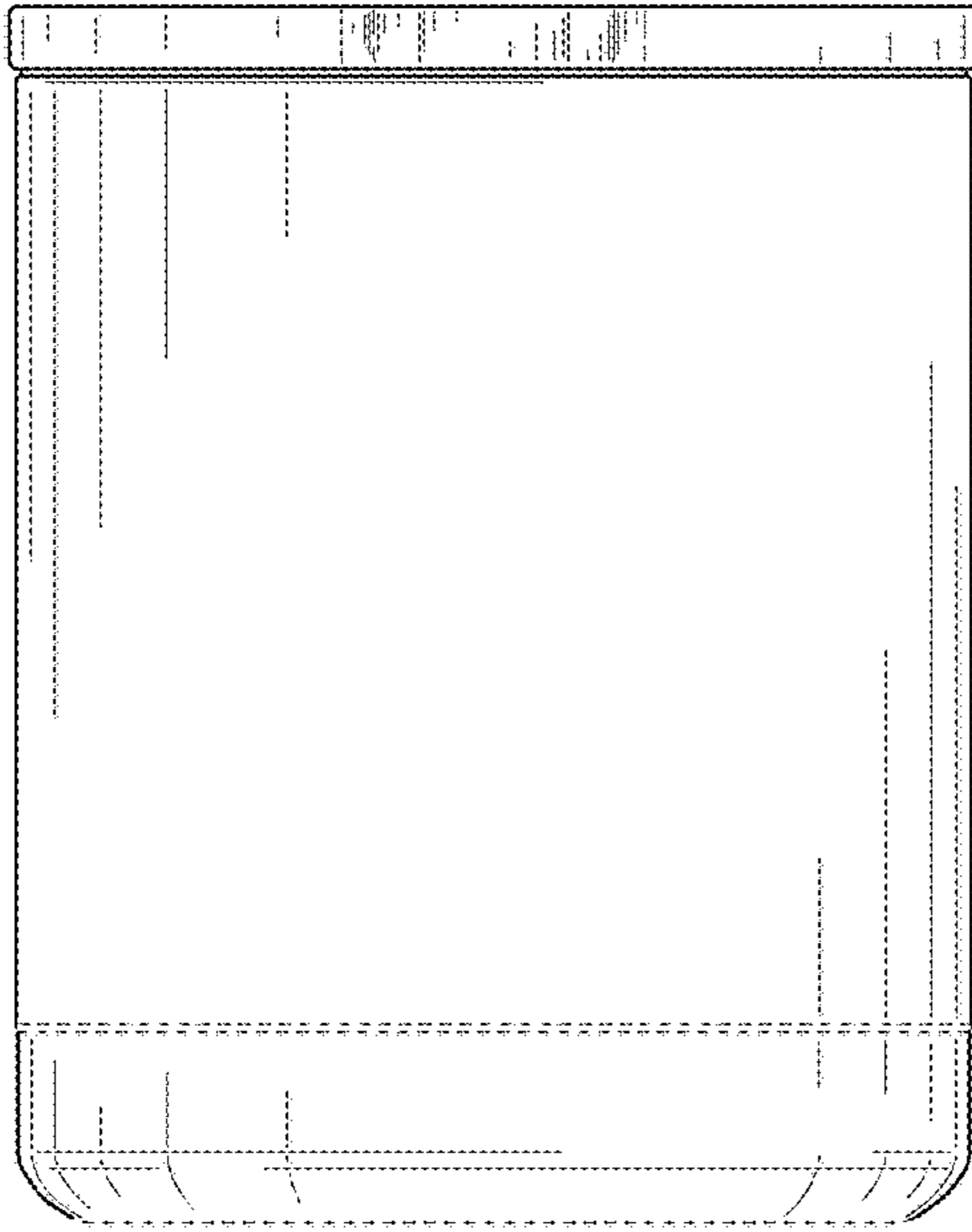


FIG. 3

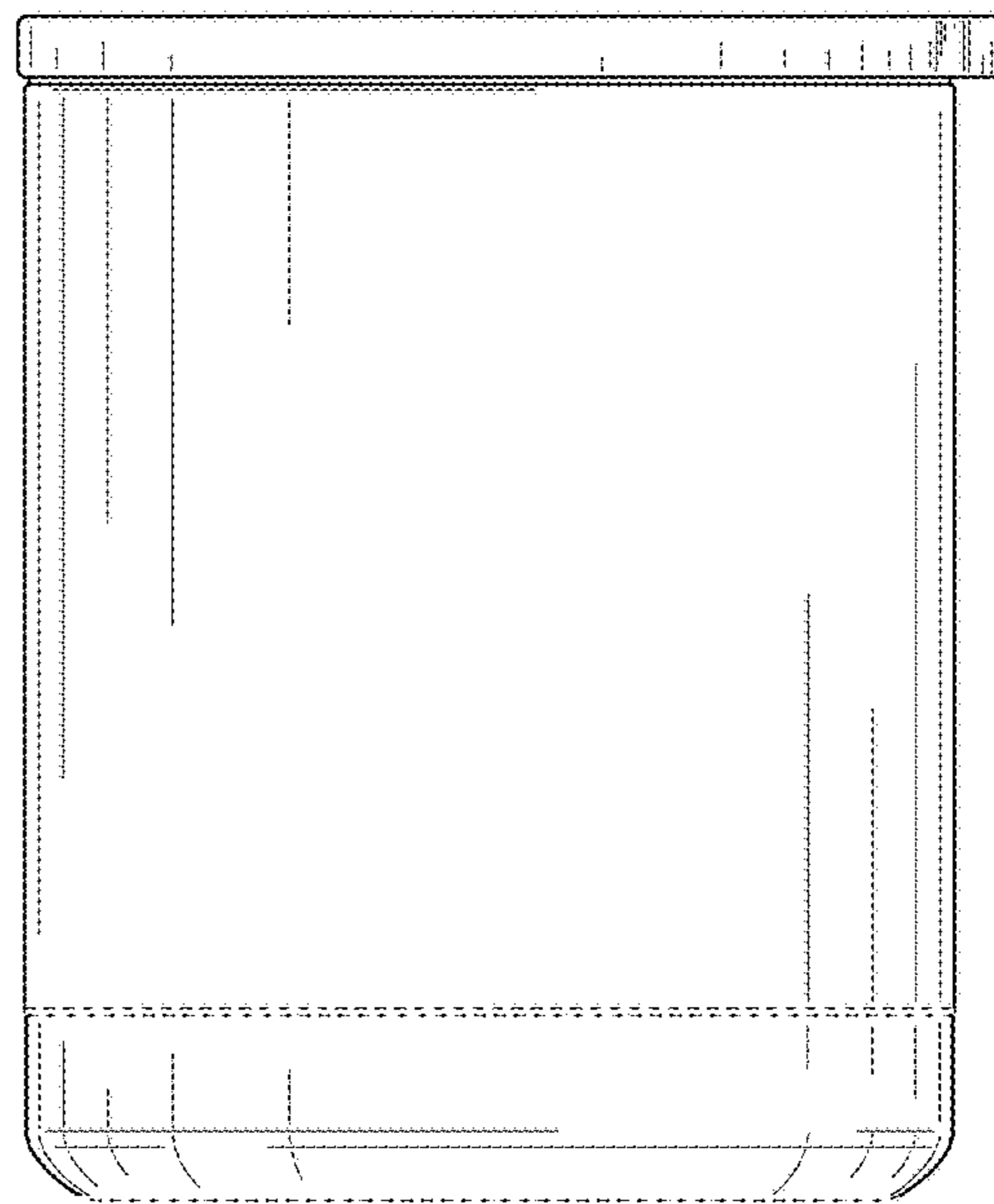


FIG. 4

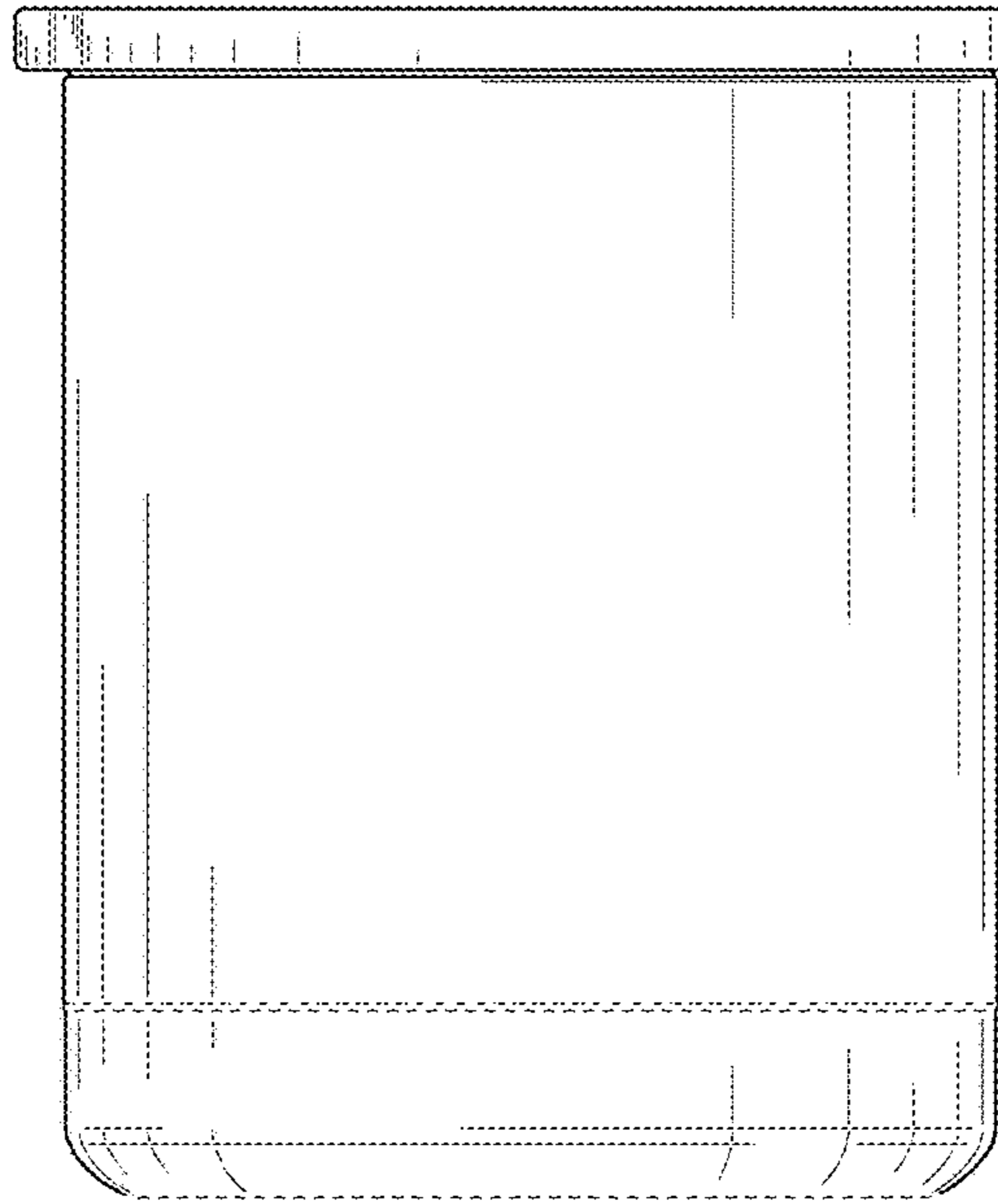


FIG. 5

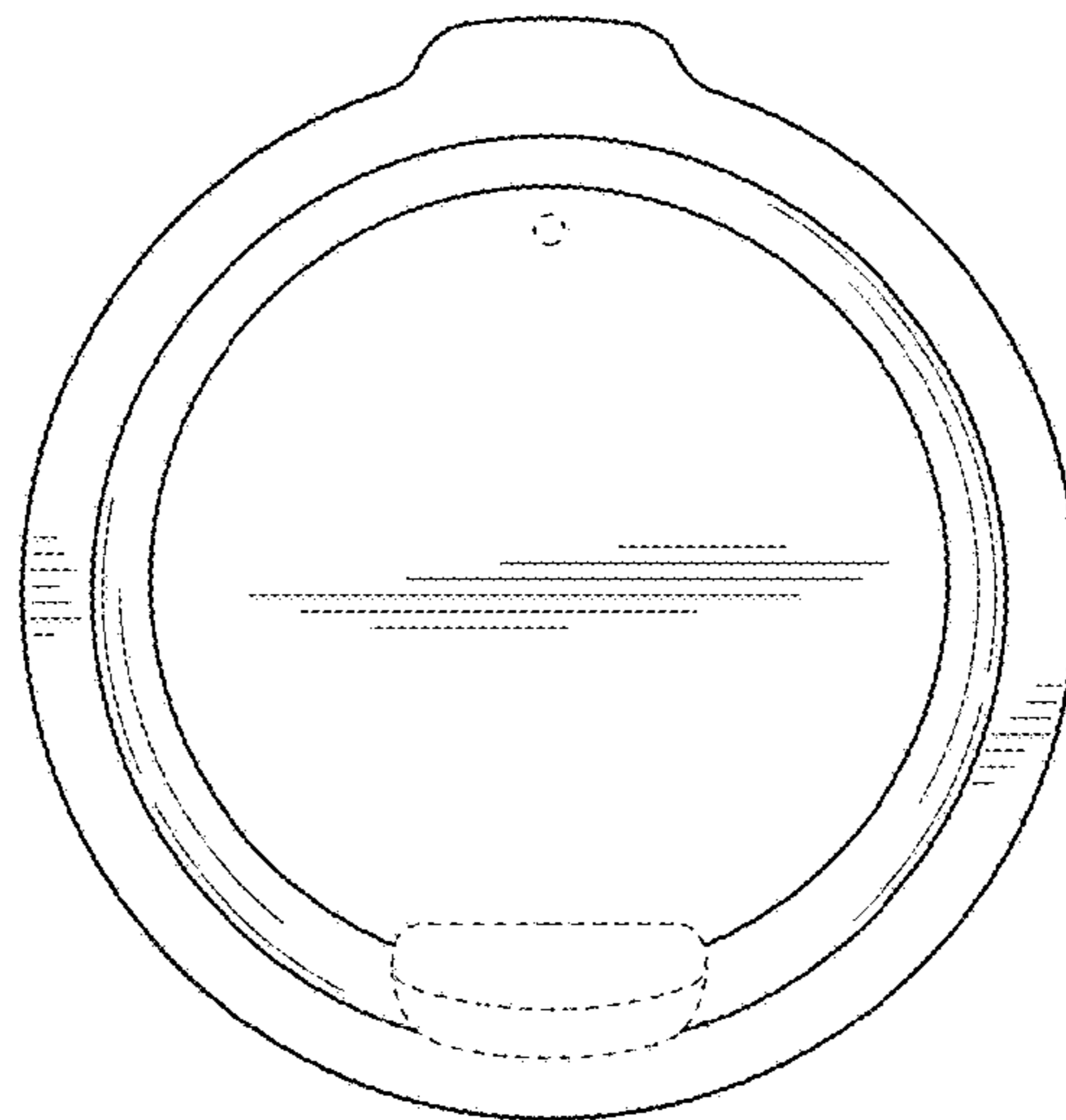


FIG. 6