



US00D839048S

(12) **United States Design Patent**
Roden

(10) **Patent No.:** **US D839,048 S**

(45) **Date of Patent:** **** Jan. 29, 2019**

(54) **ELECTRIC LIGHTER**

(71) Applicant: **TYL, Inc.**, Fort Worth, TX (US)

(72) Inventor: **Tripp Roden**, Keller, TX (US)

(73) Assignee: **TYL, Inc.**, Fort Worth, TX (US)

(**) Term: **15 Years**

(21) Appl. No.: **29/593,117**

(22) Filed: **Feb. 6, 2017**

Related U.S. Application Data

(63) Continuation of application No. 29/533,979, filed on Jul. 23, 2015, now Pat. No. Des. 780,515.

(51) **LOC (11) Cl.** **07-99**

(52) **U.S. Cl.**

USPC **D7/416**; D7/690; D7/682

(58) **Field of Classification Search**

USPC D7/690, 682, 376, 379, 416, 417, 407,
D7/409, 515; D27/141, 154; 431/344;
D30/155; D13/100; D21/402

CPC A61B 18/1492; A61F 2/88; A47J 43/1093;
A47J 37/079

See application file for complete search history.

(56) **References Cited**

U.S. PATENT DOCUMENTS

D23,355 S *	6/1894	Harrah	D7/416
D109,993 S *	6/1938	Warner	D7/682
2,527,935 A *	10/1950	Joel	A63H 33/28
				446/15
2,610,884 A *	9/1952	Enderle	A47G 21/00
				294/15
2,886,320 A *	5/1959	Van Hennik	A63B 65/122
				124/5
2,905,453 A *	9/1959	Wise	A23G 3/0215
				366/130
D203,956 S *	3/1966	Hauenstein	D7/416

D204,436 S *	4/1966	Bourner	D7/416
D213,561 S *	3/1969	Walker	D13/147
4,321,907 A *	3/1982	Sutter	A47J 37/079
				126/25 B
4,406,941 A	9/1983	Schmerein, Jr.		
D281,707 S *	12/1985	Jernigan	D21/402
4,901,196 A	2/1990	Grzybowski		
5,135,388 A	8/1992	Pettit		
D346,530 S	5/1994	Elliot et al.		
5,947,595 A *	9/1999	Eurisch	A47J 43/281
				366/129
D429,972 S *	8/2000	Wang	D7/667

(Continued)

OTHER PUBLICATIONS

“Electric Charcoal Lighter,” Big Green Egg—The Ultimate Cooking Experience, posted Aug. 28, 2011, <<http://www.biggreeneegg.com/eggcessories>>.

(Continued)

Primary Examiner — Marianne N Pandozzi

(74) *Attorney, Agent, or Firm* — Sterne, Kessler, Goldstein & Fox P.L.L.C.

(57) **CLAIM**

The ornamental design for an electric lighter, as shown and described.

DESCRIPTION

FIG. 1 is a top front perspective view of an electric lighter showing the claimed design;

FIG. 2 is a front view thereof;

FIG. 3 is a rear view thereof;

FIG. 4 is a left side view thereof;

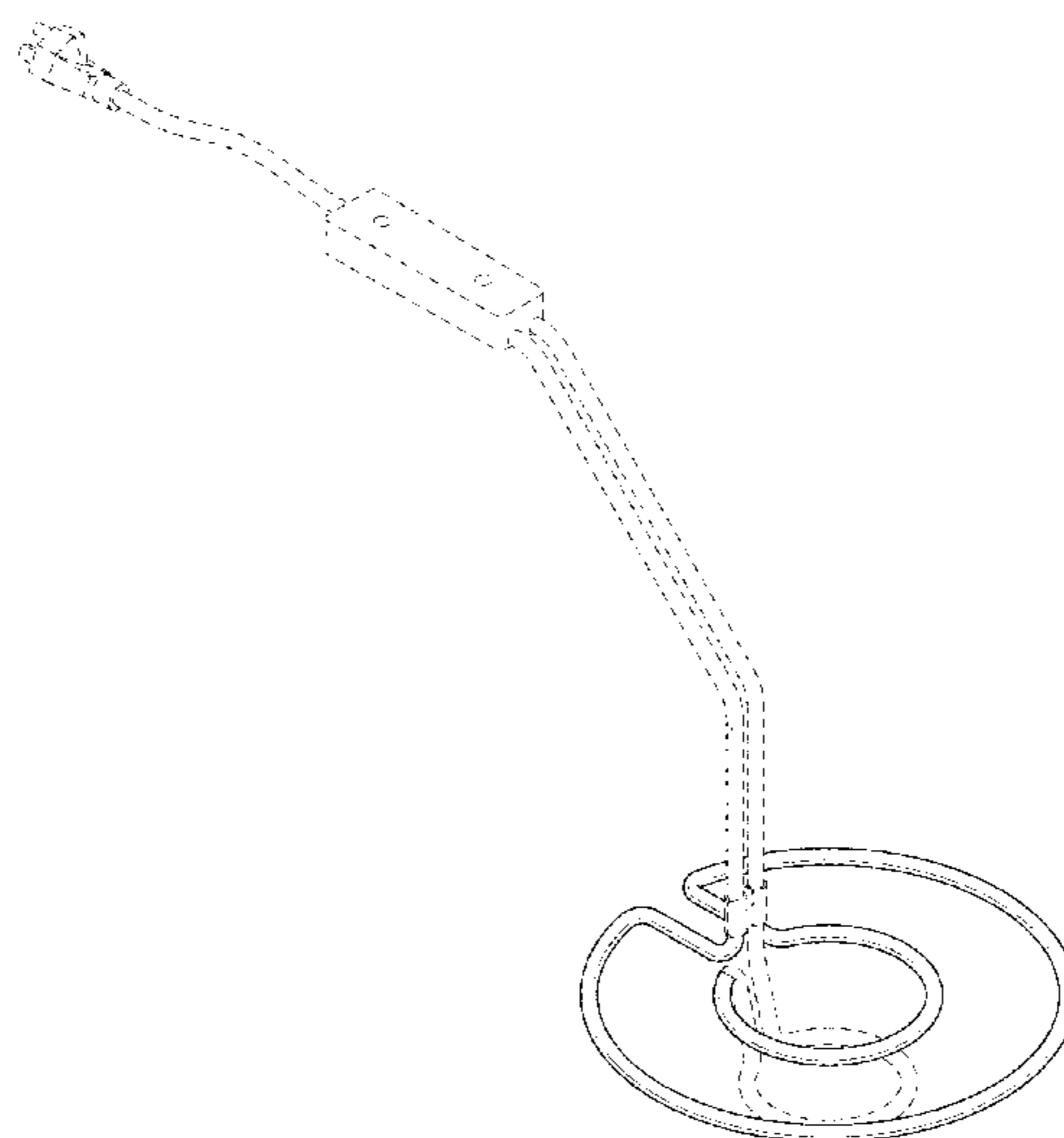
FIG. 5 is a right side view thereof;

FIG. 6 is a top view thereof; and,

FIG. 7 is a bottom view thereof.

The broken lines in the figures show portions of the electric lighter that form no part of the claimed design.

1 Claim, 5 Drawing Sheets



(56)

References Cited

U.S. PATENT DOCUMENTS

6,607,520 B2 * 8/2003 Keane A61F 2/88
128/898
D487,382 S * 3/2004 Kaposi D7/688
D502,631 S * 3/2005 Burke D7/213
D507,943 S * 8/2005 Settele D7/690
6,929,466 B1 8/2005 Reese
D585,708 S * 2/2009 Gransbury D7/682
7,819,868 B2 * 10/2010 Cao A61B 18/1492
606/41
8,851,885 B2 10/2014 Wiles et al.
9,345,529 B2 * 5/2016 Mihalik A61B 18/02
2006/0135953 A1 * 6/2006 Kania A61B 5/6851
606/21

OTHER PUBLICATIONS

“Grill Dome Rapid-Lite Electric Charcoal Lighter,” BBQ Guys, accessed Mar. 16, 2015, <<http://www.bbqguys.com/>>.

“Electric Charcoal Starter,” BBQ Guys, accessed Mar. 16, 2015, <<http://bbqguys.com/>>.

“Bull Electric Charcoal Starter,” BBQ Guys, accessed Mar. 16, 2015, <<http://bbqguys.com/>>.

* cited by examiner

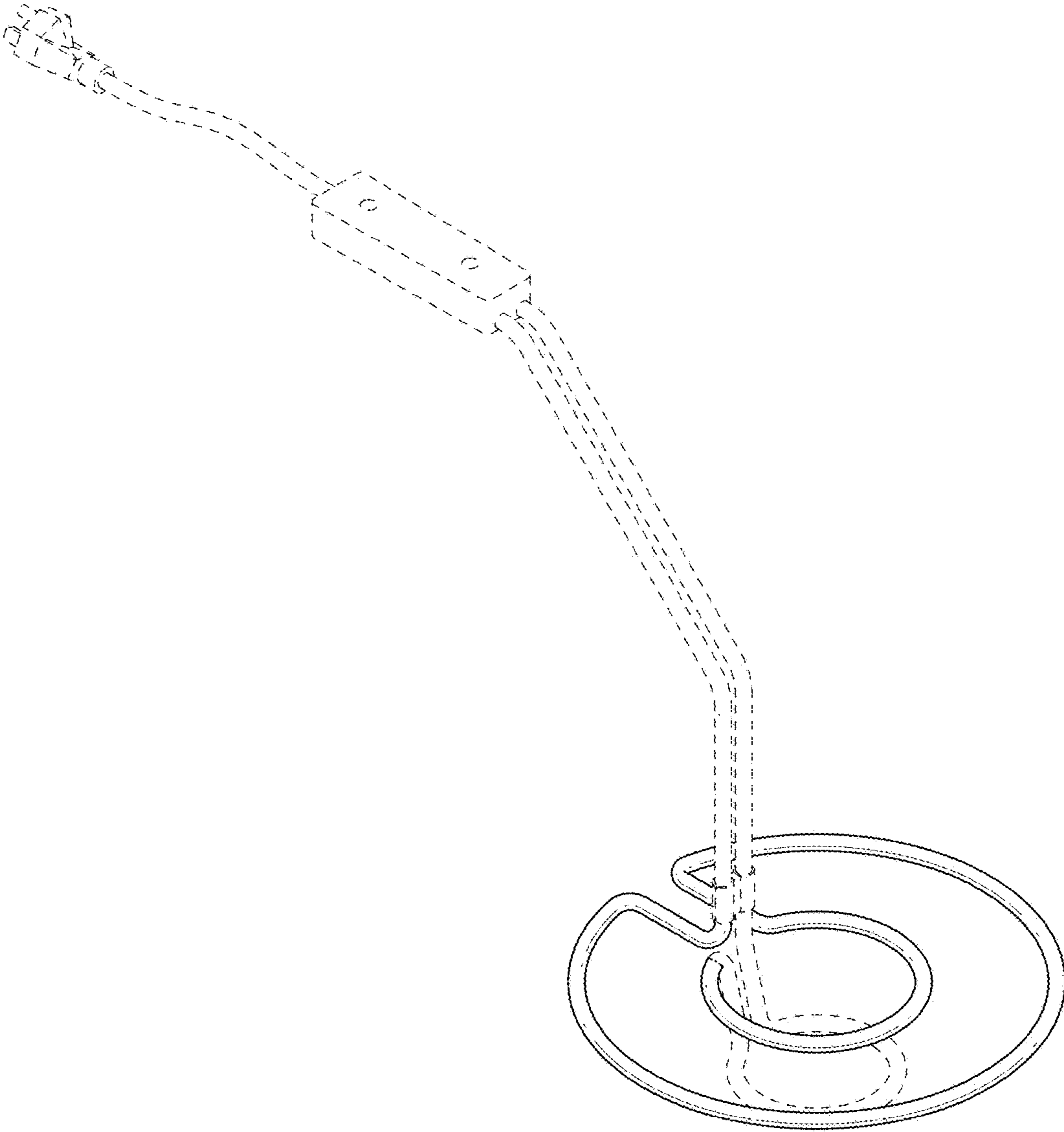


FIG. 1

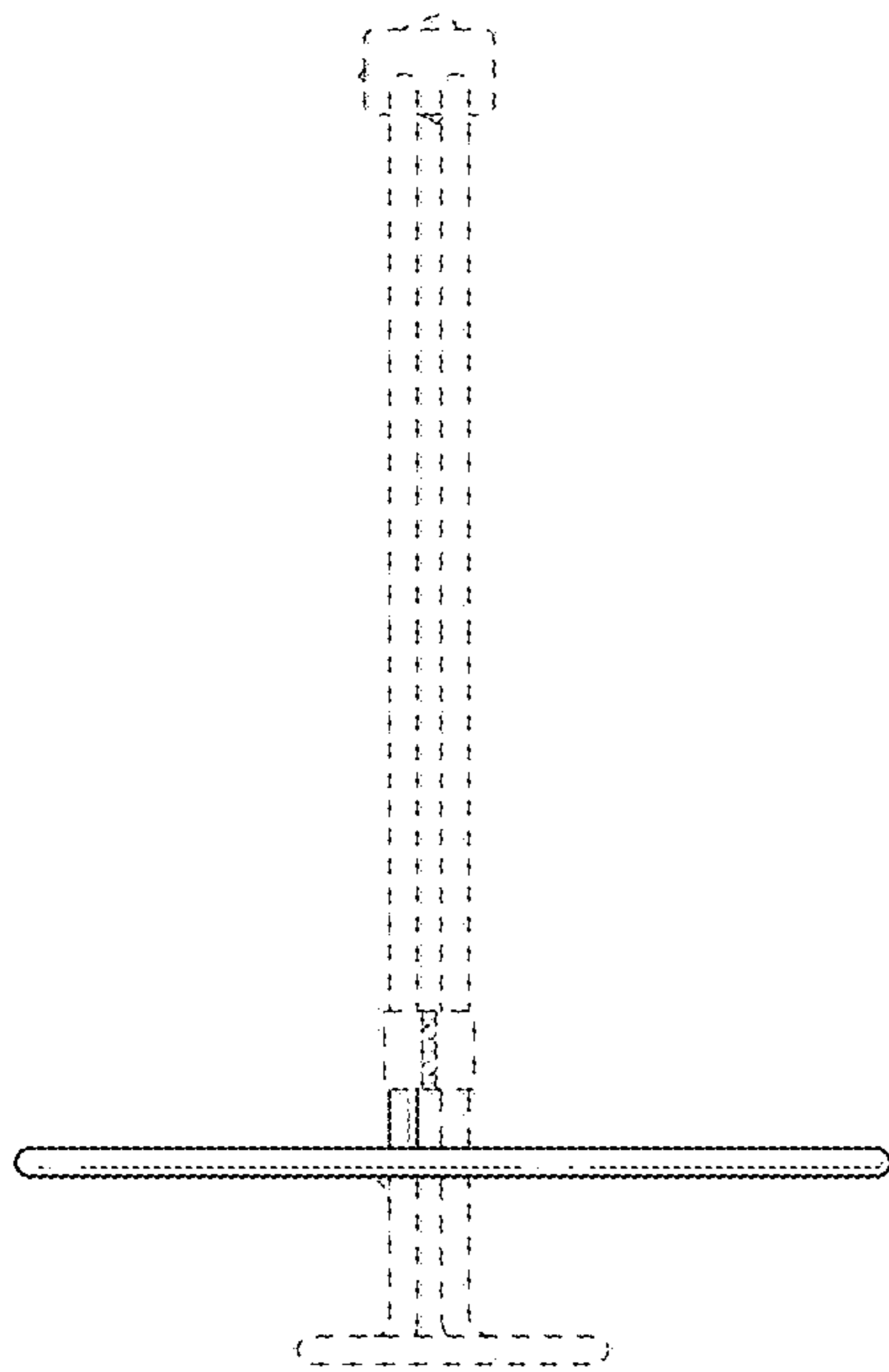


FIG. 2

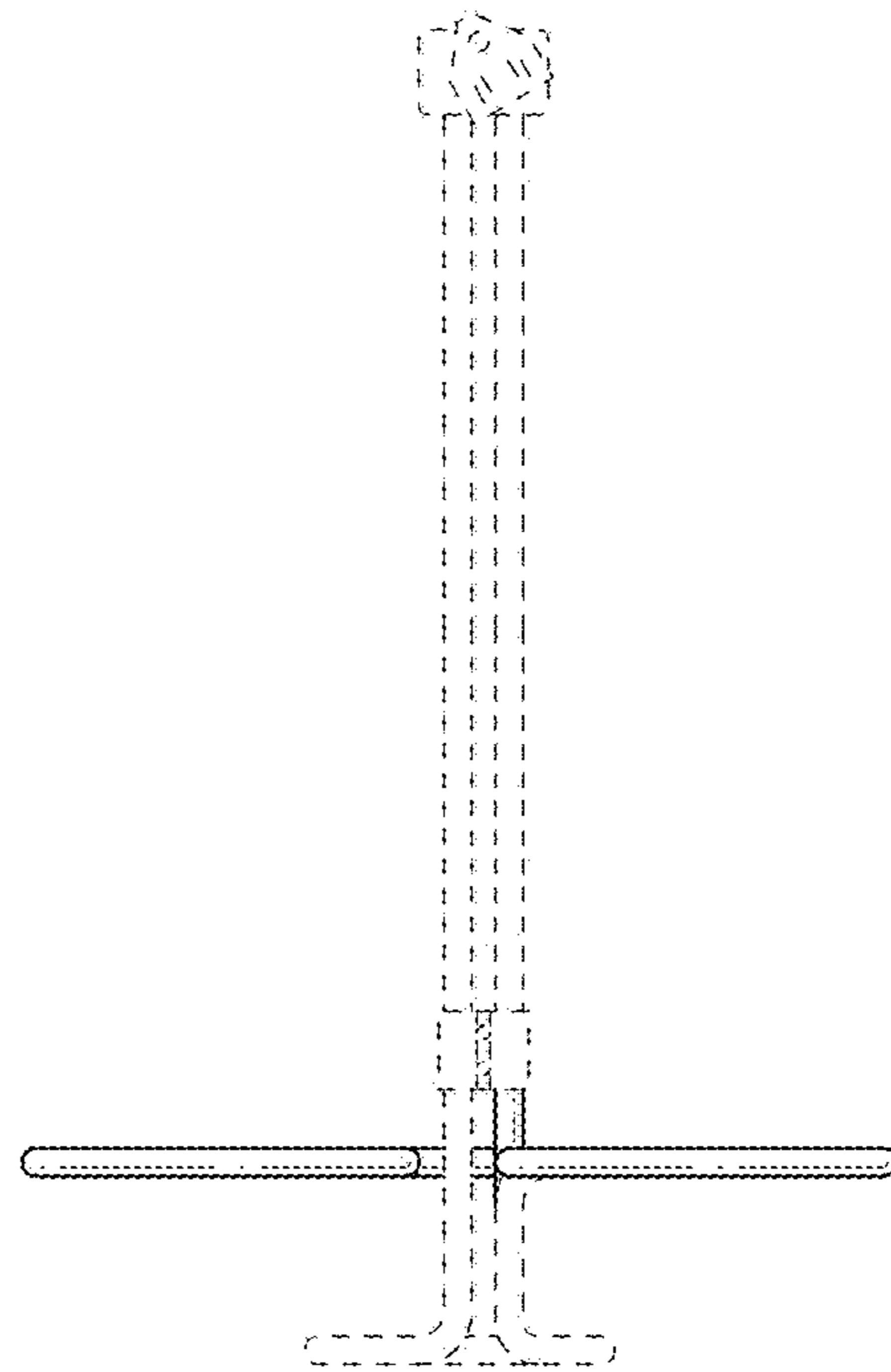


FIG. 3

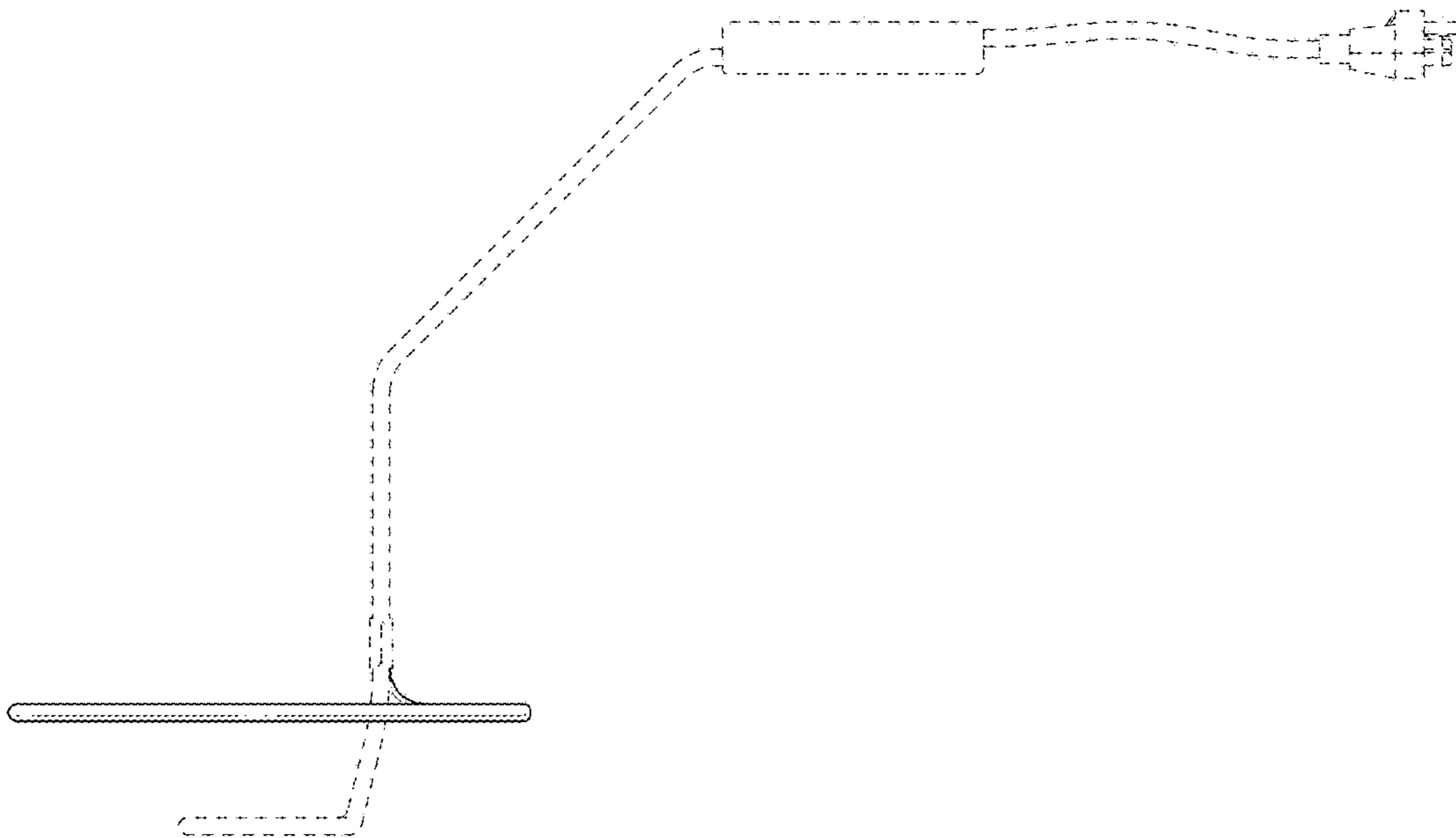


FIG. 4

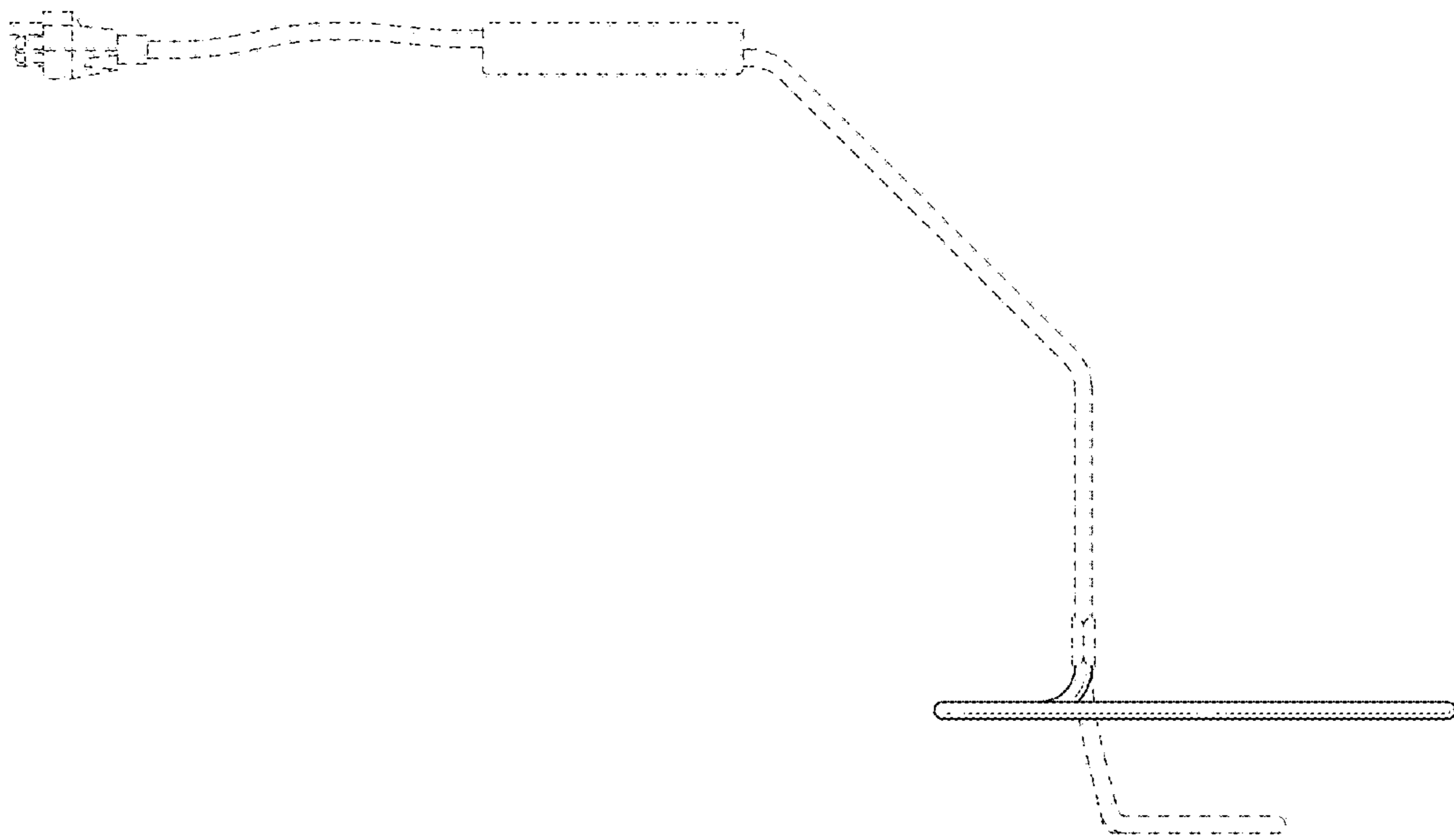


FIG. 5

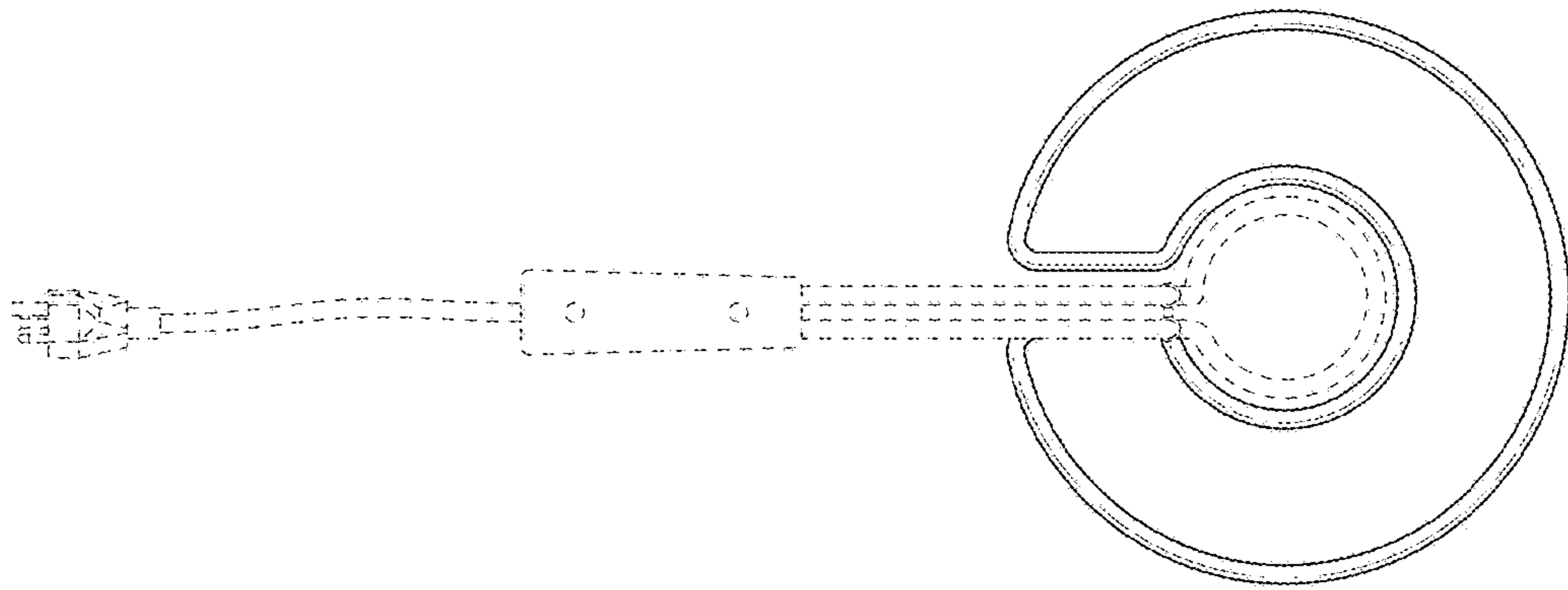


FIG. 6

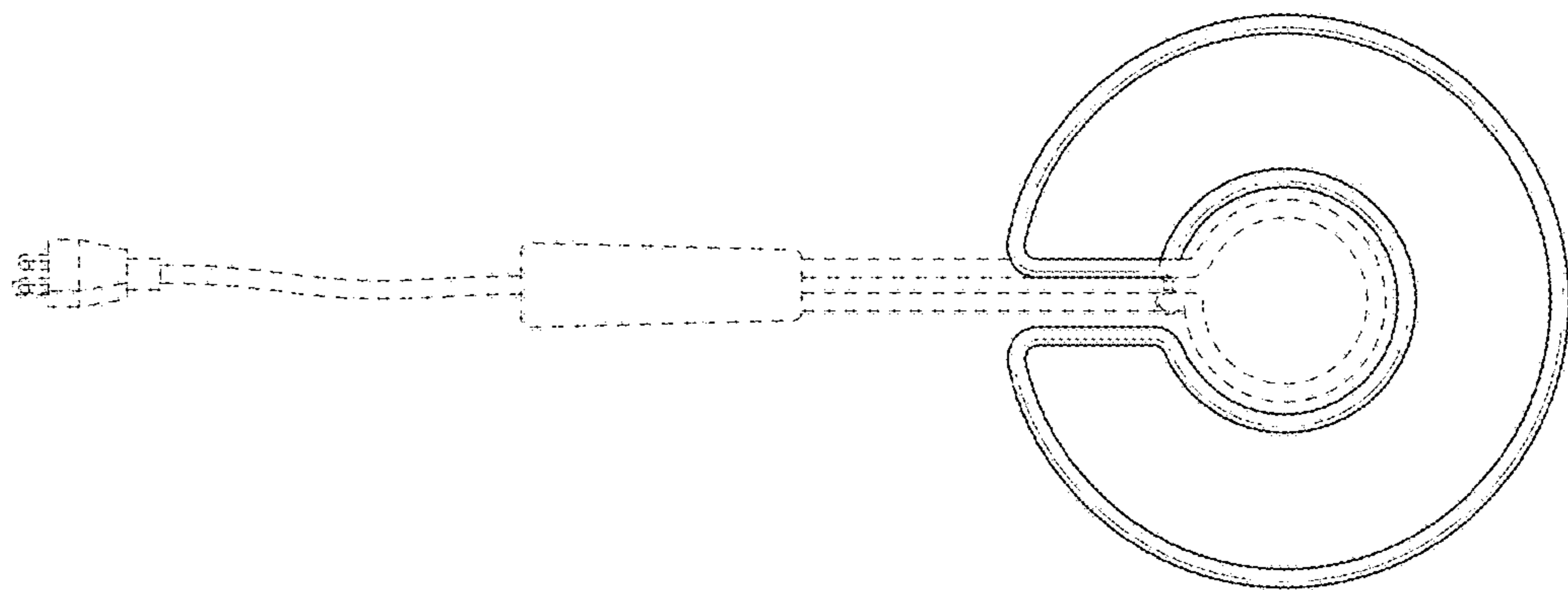


FIG. 7.