



US00D839047S

(12) **United States Design Patent**
Colston et al.

(10) **Patent No.:** **US D839,047 S**
(45) **Date of Patent:** **** Jan. 29, 2019**

(54) **GRILL WITH ELONGATE OVAL PROFILE**

(71) Applicant: **Traeger Pellet Grills LLC**, Salt Lake City, UT (US)

(72) Inventors: **Michael Colston**, Salt Lake City, UT (US); **Daniel Altenritter**, Riverton, UT (US); **Matthew Czach**, Kalamazoo, MI (US)

(73) Assignee: **Traeger Pellet Grills, LLC**, Salt Lake City, UT (US)

(**) Term: **15 Years**

(21) Appl. No.: **29/539,822**

(22) Filed: **Sep. 17, 2015**

(51) **LOC (11) Cl.** **07-02**

(52) **U.S. Cl.**
USPC **D7/402**

(58) **Field of Classification Search**
USPC D7/402-409, 332-337, 323
(Continued)

(56) **References Cited**

U.S. PATENT DOCUMENTS

639,099 A 12/1899 Schoregge
1,300,710 A 4/1919 Edwards
(Continued)

FOREIGN PATENT DOCUMENTS

CN 104352179 2/2015

OTHER PUBLICATIONS

Traeger Timberline 1300, by John R Delaney, PCMag [online], published Aug. 4, 2017, [retrieved on Dec. 21, 2017]. Retrieved from the Internet, URL: <https://www.pcmag.com/review/355354/traeger-timberline-1300>.*

(Continued)

Primary Examiner — Sheryl Lane

Assistant Examiner — Nicole C Shiflet

(74) *Attorney, Agent, or Firm* — Workman Nydegger

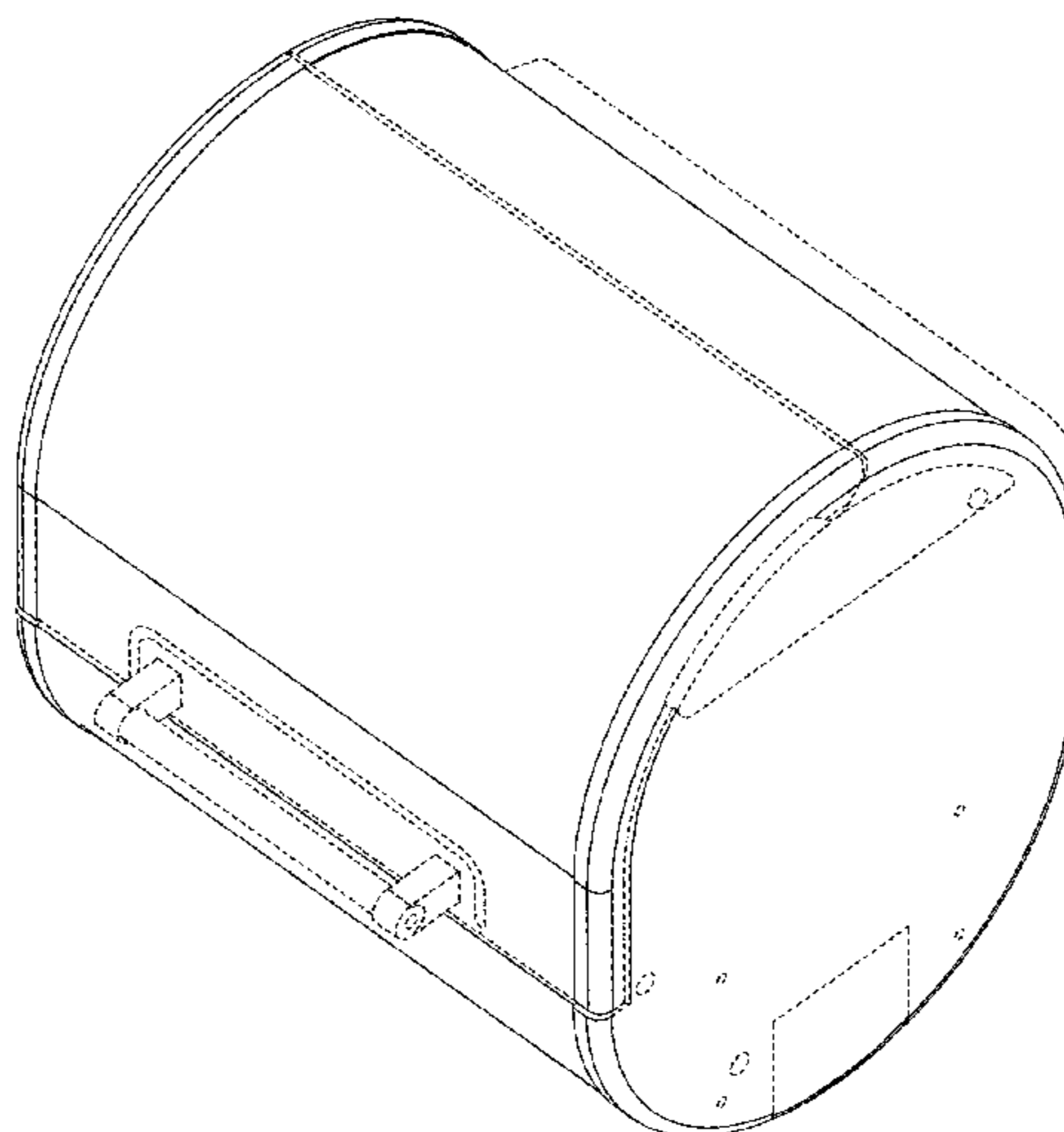
(57) **CLAIM**

The ornamental design for a grill with elongate oval profile, as shown and described.

DESCRIPTION

FIG. 1 is a front, left perspective view of my new design for a grill with elongate, oval profile shown in a grilling environment having a closed configuration;
FIG. 2 is a top, right perspective view of the grill with elongate, oval profile shown in FIG. 1 removed from the grilling environment;
FIG. 3 is a rear, left perspective view thereof;
FIG. 4 is a top plan view thereof;
FIG. 5 is a bottom plan view thereof;
FIG. 6 is a front elevation view thereof;
FIG. 7 is a rear elevation view thereof;
FIG. 8 is a right side elevation view thereof;
FIG. 9 is a left side elevation view thereof;
FIG. 10 is a top, front, right perspective view of the grill with elongate, oval profile of FIG. 1 in a grilling environment having an opened configuration;
FIG. 11 is a front, left perspective view of the grill with elongate, oval profile shown in FIG. 10 removed from the grilling environment;
FIG. 12 is a top, rear, right perspective view thereof;
FIG. 13 is a top plan view thereof;
FIG. 14 is a bottom plan view thereof;
FIG. 15 is a front elevation view thereof;
FIG. 16 is a rear elevation view thereof;
FIG. 17 is a right side elevation view thereof; and,
FIG. 18 is a left side elevation view thereof.
The broken lines in the drawings depict environmental subject matter only and form no part of the claimed design.

1 Claim, 18 Drawing Sheets



(58) **Field of Classification Search**
 CPC A47J 37/07; A47J 37/0704; A47J 37/0763;
 A47J 37/0709; A47J 37/0713
 See application file for complete search history.

(56) **References Cited**

U.S. PATENT DOCUMENTS

2,902,026	A	9/1959	Hathom	
3,533,393	A	10/1970	Haapanen	
3,665,913	A	5/1972	Cagle	
3,769,901	A *	11/1973	Phillips	A47J 37/0704 126/25 R
3,938,493	A	2/1976	Bauer	
4,076,008	A	2/1978	Deaton	
4,362,093	A	12/1982	Griscom	
4,592,335	A	6/1986	Beller	
4,665,891	A	5/1987	Nemec	
4,700,618	A	10/1987	Cox	
4,788,906	A	12/1988	Starks	
5,031,602	A	7/1991	Vick	
5,070,857	A *	12/1991	Sarten	A47J 37/0704 126/25 A
5,163,359	A	11/1992	McLane	
5,404,795	A	4/1995	Coble	
5,473,979	A	12/1995	Ruben	
5,481,964	A	1/1996	Kitten	
5,524,610	A	6/1996	Clark	
5,694,917	A	12/1997	Giebel	
5,934,180	A	8/1999	Lin	
5,947,007	A	9/1999	O'Grady	
6,000,388	A	12/1999	Andress	
6,125,836	A	10/2000	Felton	
6,182,560	B1	2/2001	Andress	
6,189,528	B1	2/2001	Oliver	
6,209,533	B1	4/2001	Ganard	
6,422,134	B1	7/2002	Barksdale	
6,557,545	B2	5/2003	Williams	
6,810,792	B1	11/2004	Knight	
6,913,011	B1	7/2005	Snider	
D510,835	S *	10/2005	Pai	D7/334
D534,755	S	1/2007	Knight	
D535,522	S *	1/2007	Seager	D7/332
7,156,087	B1	1/2007	Churchhill	
7,624,675	B2	12/2009	Galdamez	
7,753,047	B1	7/2010	Trammell	
7,984,709	B1 *	7/2011	Byrnes	A47J 37/0704 126/25 R
D660,646	S *	5/2012	Simms, II	D7/402
8,381,712	B1	2/2013	Simms	
D680,794	S *	4/2013	Chung	D7/332
8,915,238	B2	12/2014	Goeken	
D739,170	S *	9/2015	Chung	D7/337
D786,014	S *	5/2017	Knight	D7/405
2003/0019492	A1	1/2003	Williams	
2005/0204934	A1	9/2005	Robertson	
2005/0217659	A1	10/2005	McClenahan	
2006/0016447	A1	1/2006	Meyer	
2006/0042475	A1	3/2006	Craig	

2006/0137676	A1	6/2006	Barker	
2007/0163568	A1	7/2007	Murray	
2007/0175467	A1	8/2007	Liu	
2007/0277805	A1	12/2007	Ho	
2008/0011285	A1	1/2008	Milligan	
2009/0199839	A1	8/2009	Hulsey	
2010/0024797	A1	2/2010	Tsung	
2010/0083947	A1	4/2010	Guillory	
2011/0079210	A1	4/2011	Jackovitch	
2012/0192726	A1	8/2012	Clearman	
2012/0216790	A1	8/2012	Hopkins	
2012/0266857	A1	10/2012	Lin	
2013/0061765	A1	3/2013	Reinhart	
2013/0112088	A1	5/2013	May	
2013/0298894	A1 *	11/2013	Kleinsasser	A47J 37/0704 126/25 R
2014/0090634	A1	4/2014	Li	
2014/0261012	A1	9/2014	Perez, Jr. et al.	
2015/0047512	A1	2/2015	Marra	
2015/0047515	A1	2/2015	Jenness	
2015/0047625	A1	2/2015	Weil	
2015/0079250	A1	3/2015	Ahmed	
2015/0144238	A1	5/2015	Traeger	
2015/0265099	A1	9/2015	Cothe	
2015/0305559	A1	10/2015	Chung	
2017/0065124	A1 *	3/2017	Colston	A47J 37/0704
2017/0067649	A1 *	3/2017	Colston	A47J 37/0704
2017/0196400	A1 *	7/2017	Colston	A47J 37/0704

OTHER PUBLICATIONS

Non-Final Action mailed for U.S. Appl. No. 15/070,225 dated Feb. 23, 2018.
 International Search Report for application No. PCT/US2016/051060 dated Dec. 8, 2016.
 International Search Report for application No. PCT/US2016/051066 dated Dec. 8, 2016.
 Restriction Requirement for U.S. Appl. No. 14/906,526 dated Sep. 12, 2017.
 International Search Report and Written Opinion for application No. PCT/US2015/046349 dated Dec. 28, 2015.
 Combined Search Examination Report for application No. GB1604584.1 dated Aug. 1, 2016.
 amazon.com Inc., 2014, "The Original Bar-Be Quick Build in Grill & Bake + Free pack of Beechwood smoking chips", amazon.co.uk, [online], Available from <https://www.amazon.co.uk/Original-Bar-Be-Quick-Build-Beechwood-smoking/dp/B00IGUPK4C> [Accessed Jul. 22, 2015].
 Non-Final Office Action for U.S. Appl. No. 14/906,526 dated Dec. 11, 2017.
 Non-Final Office Action for U.S. Appl. No. 29/539,825 dated Dec. 28, 2017.
 Non-Final Action mailed for U.S. Appl. No. 15/070,220 dated Sep. 6, 2018.
 Notice of Allowance mailed for U.S. Appl. No. 15/070,225 dated Oct. 10, 2018.

* cited by examiner

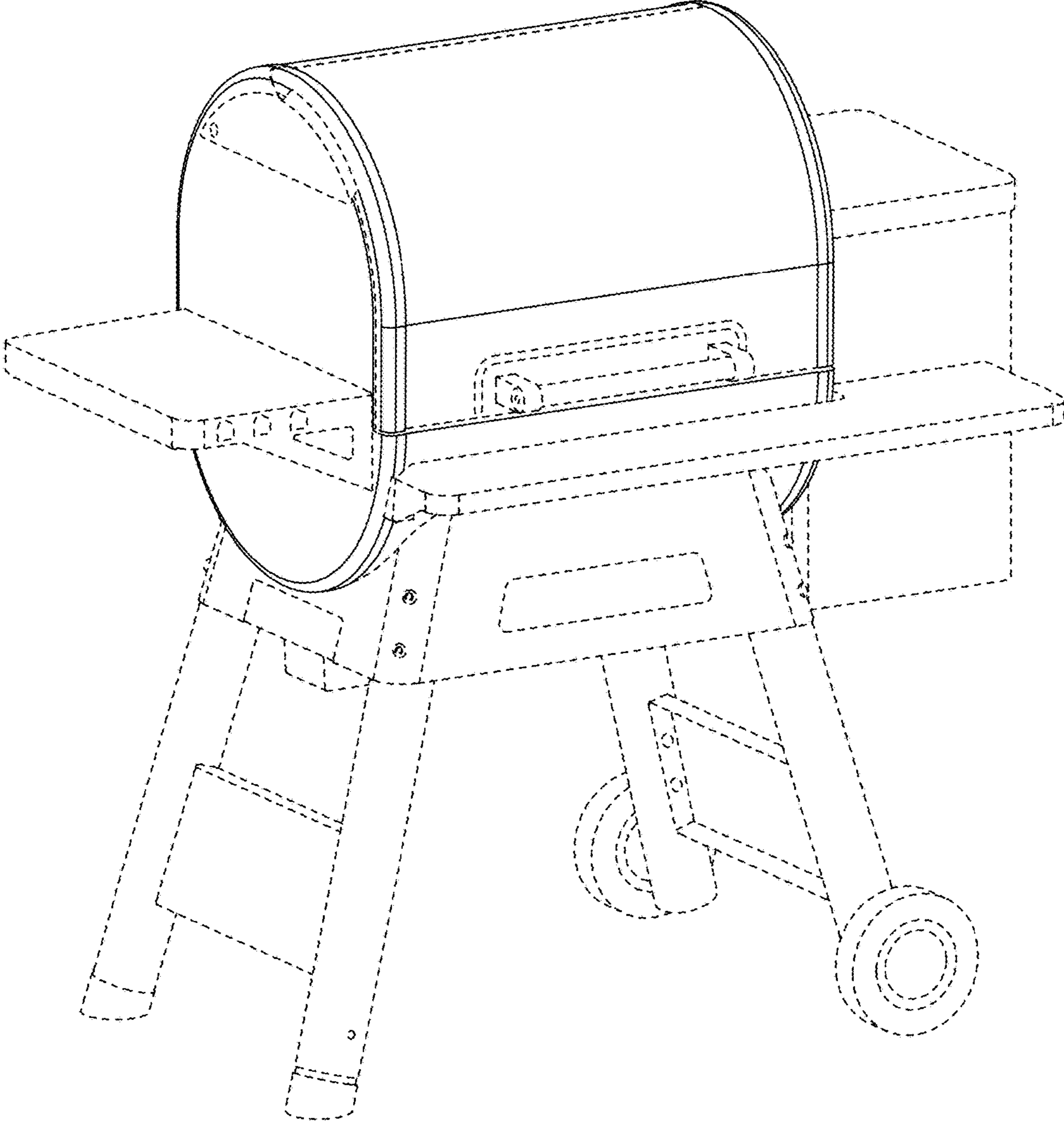


FIG. 1



FIG. 2

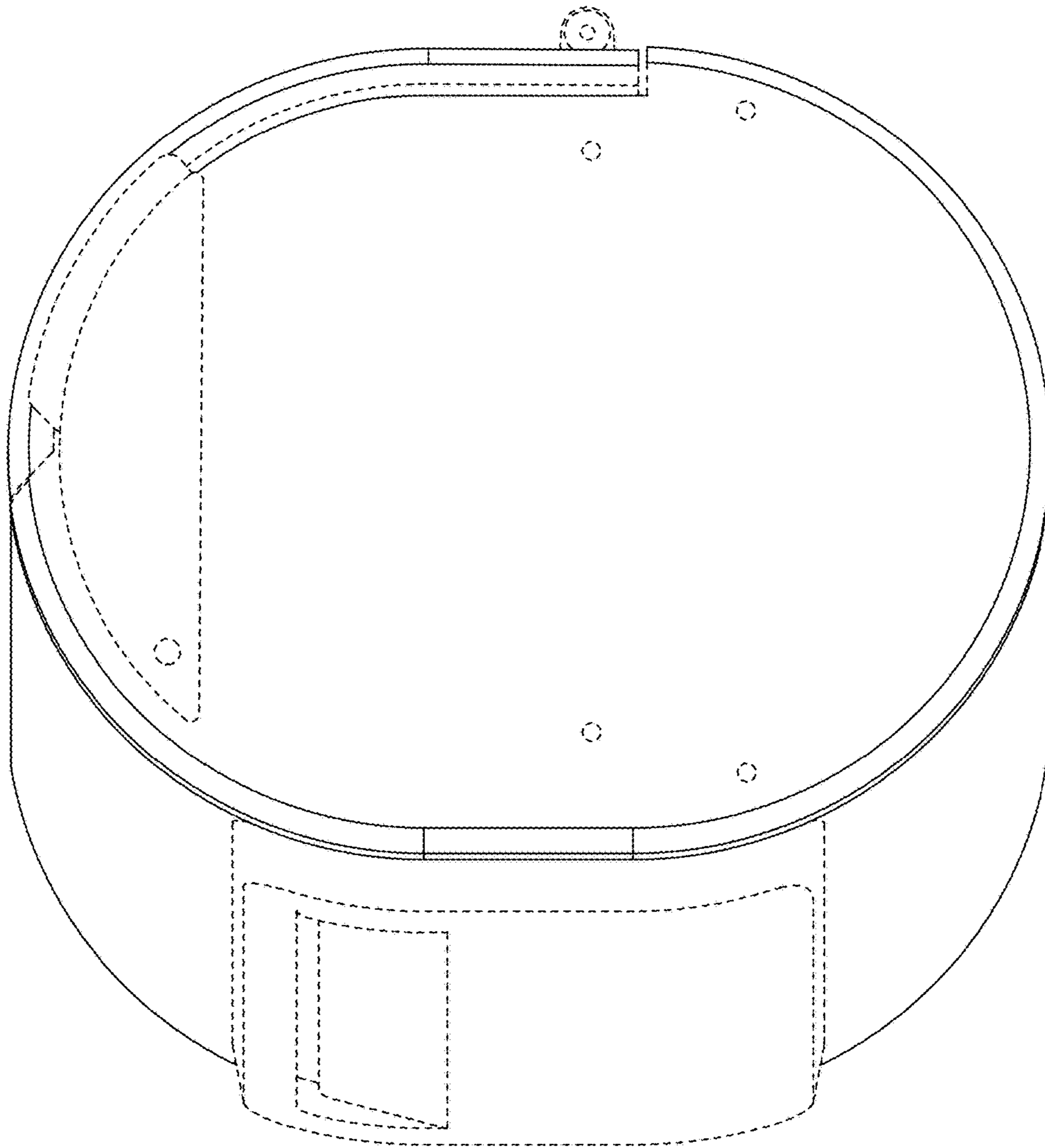


FIG. 3

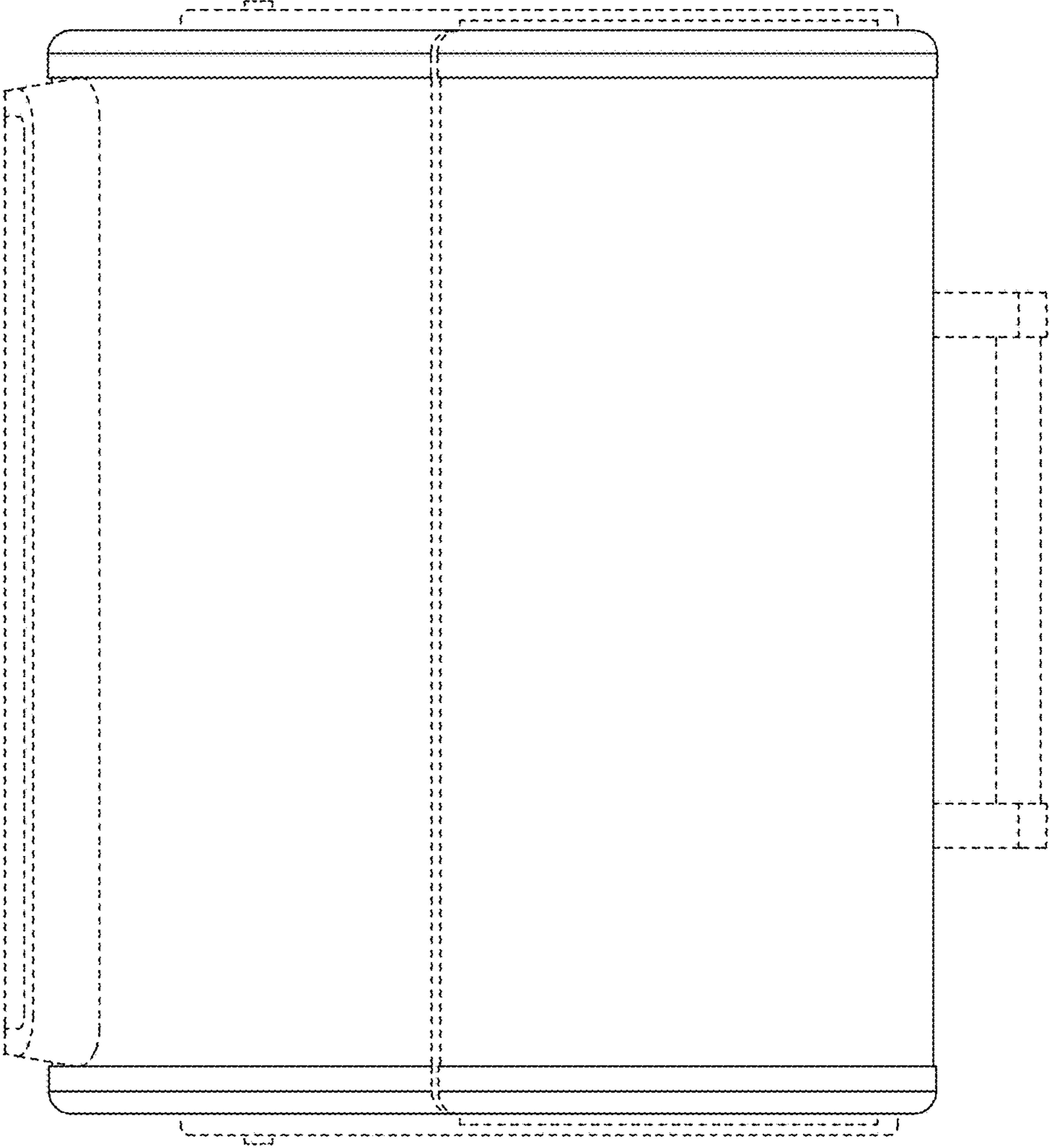


FIG. 4

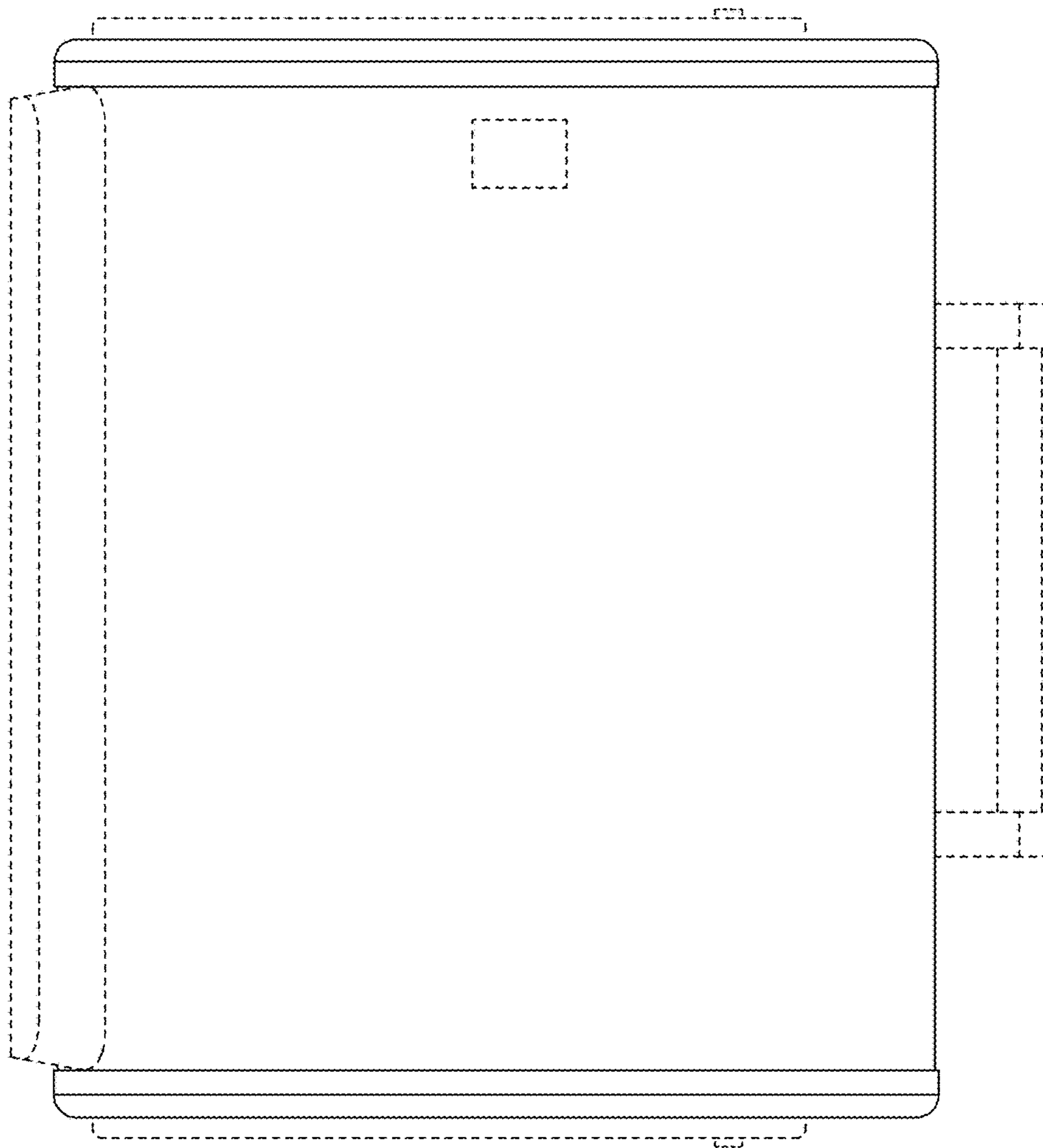


FIG. 5

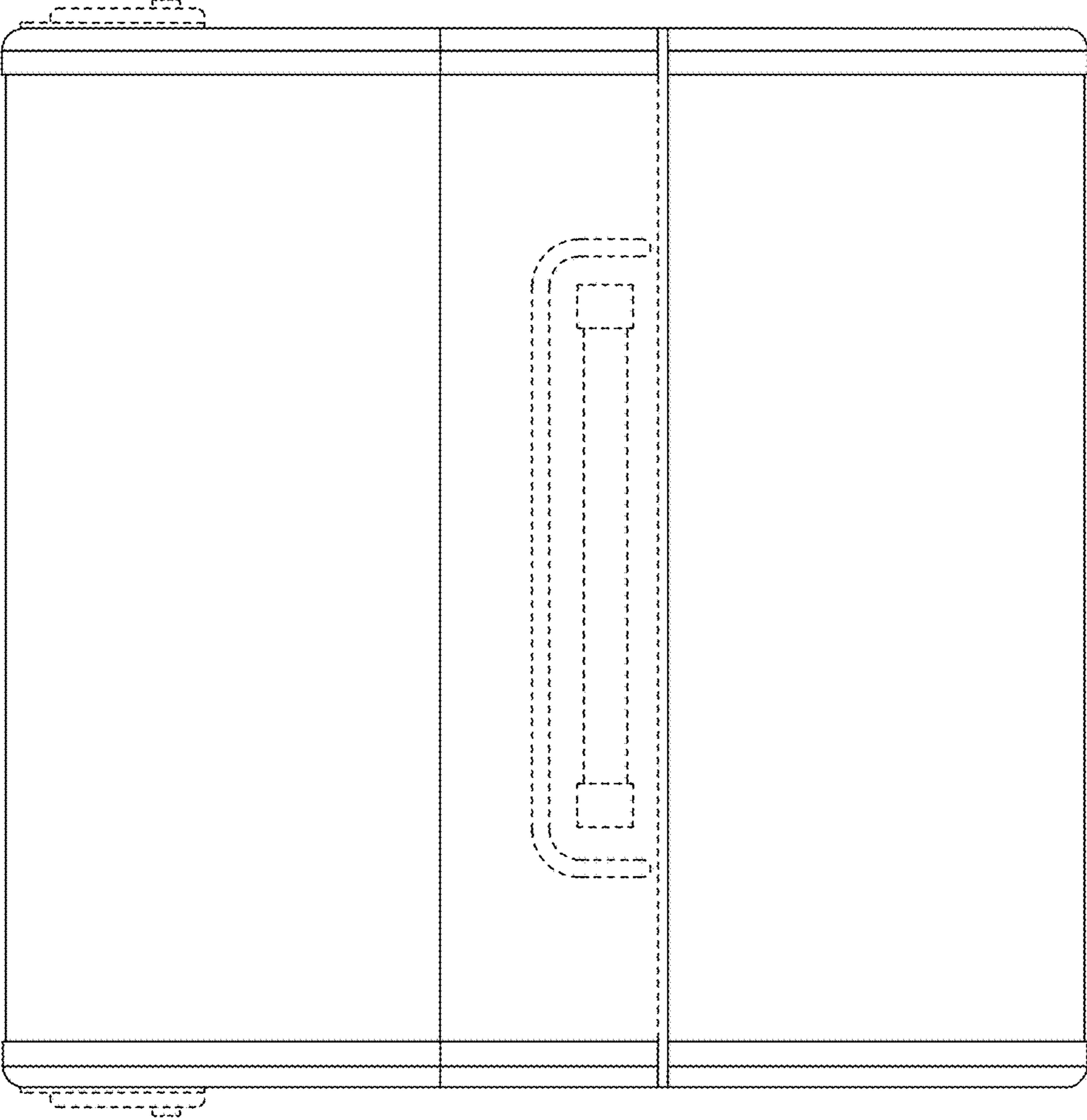


FIG. 6

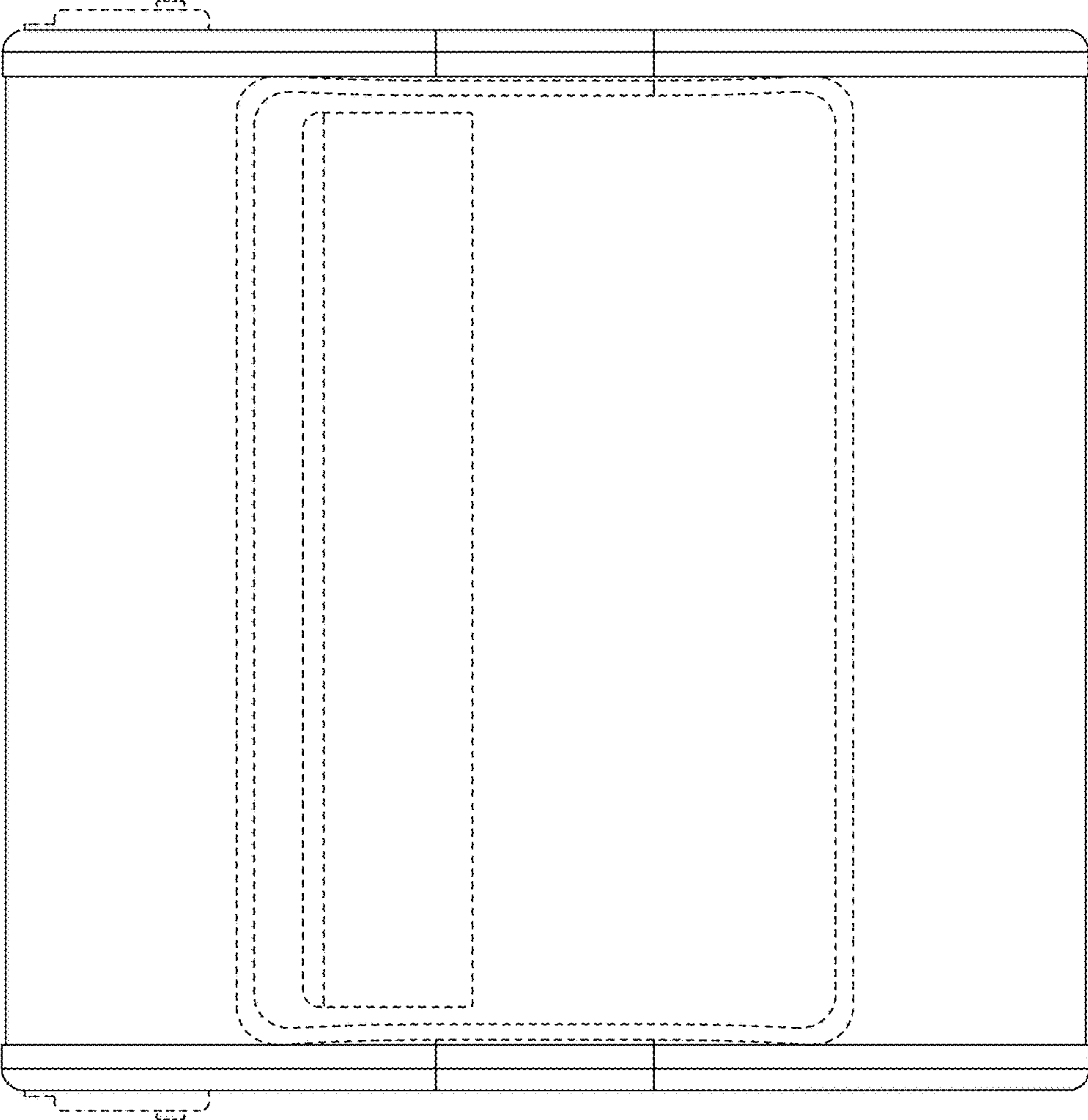


FIG. 7

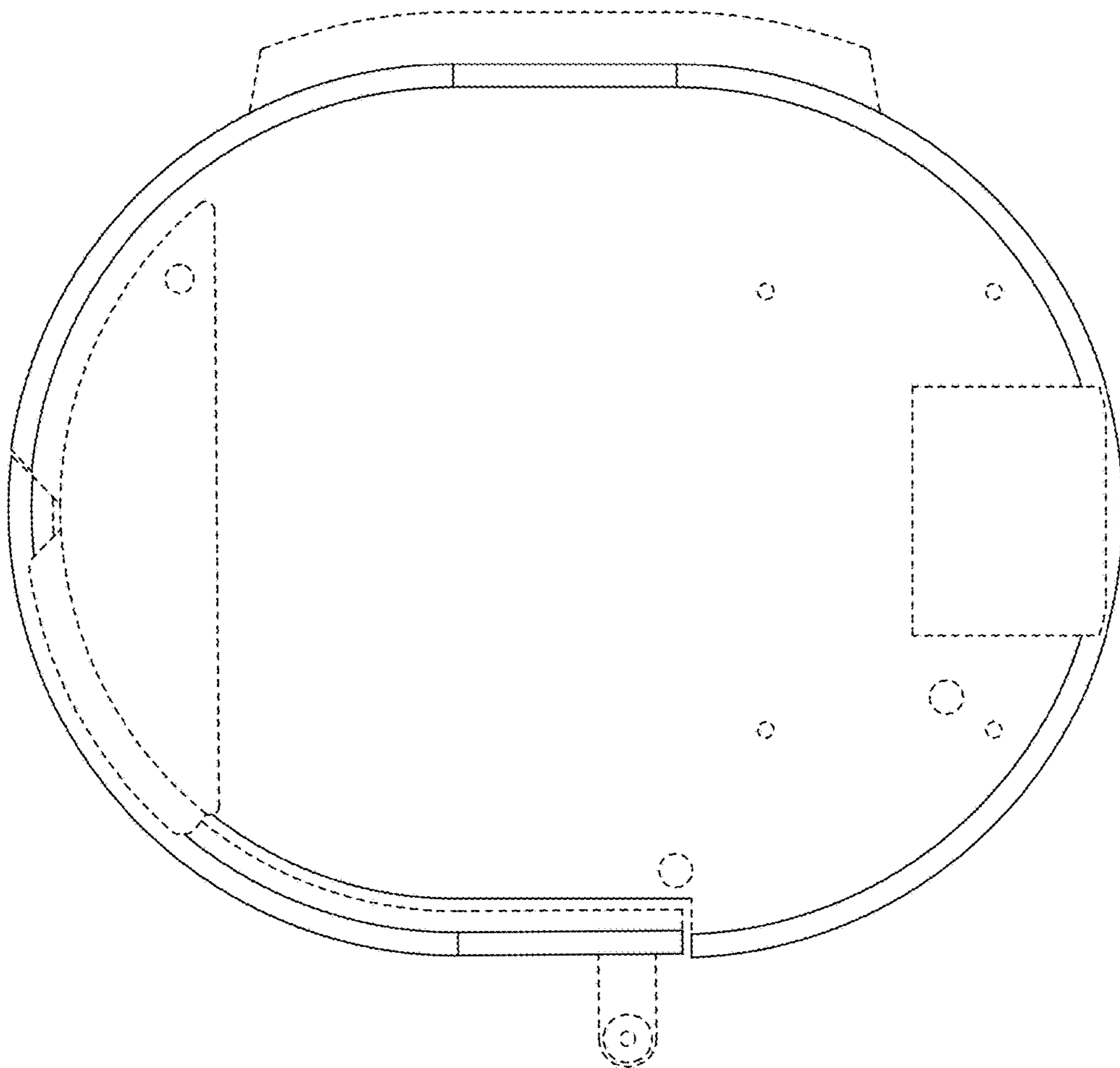


FIG. 8

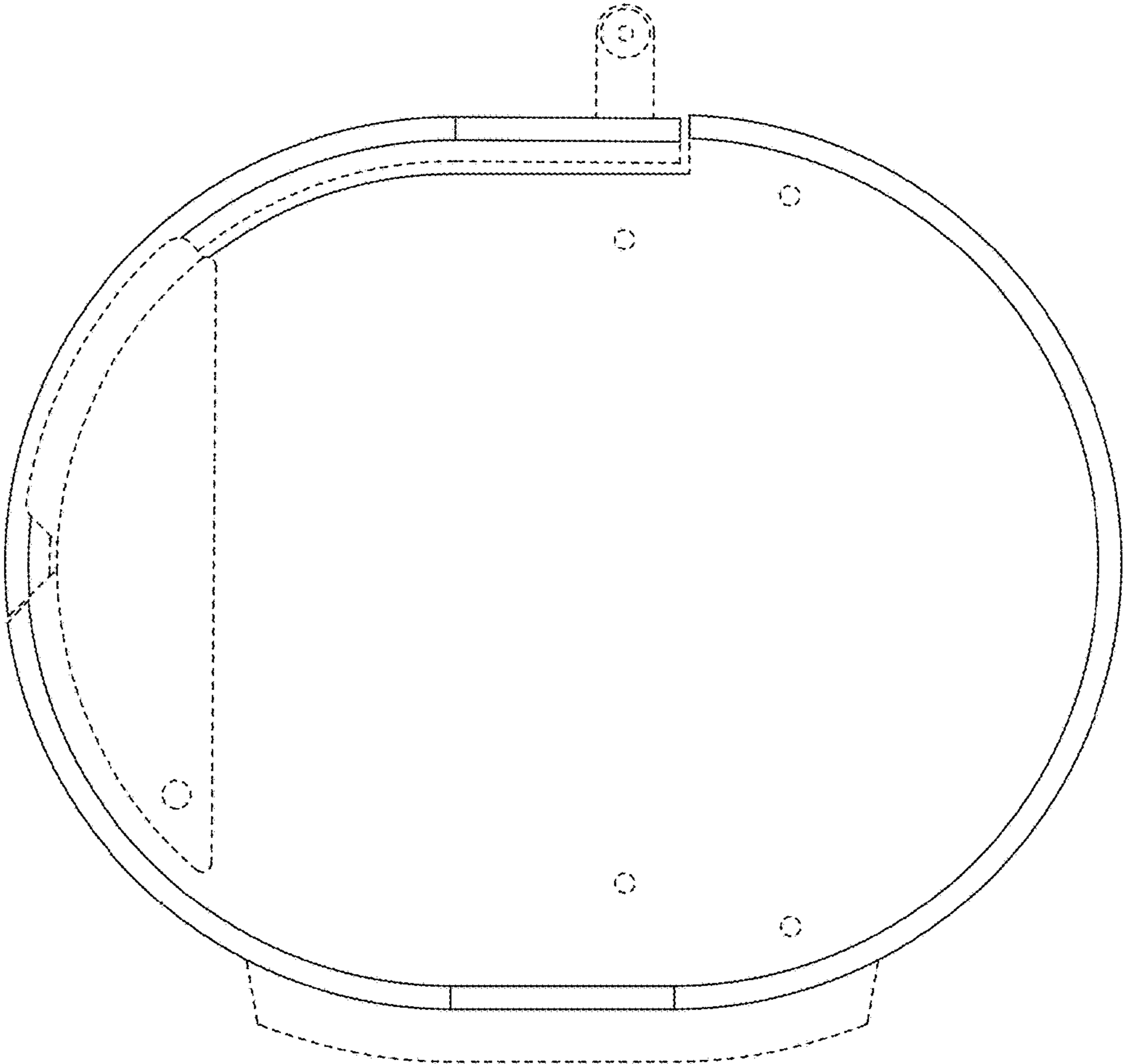


FIG. 9

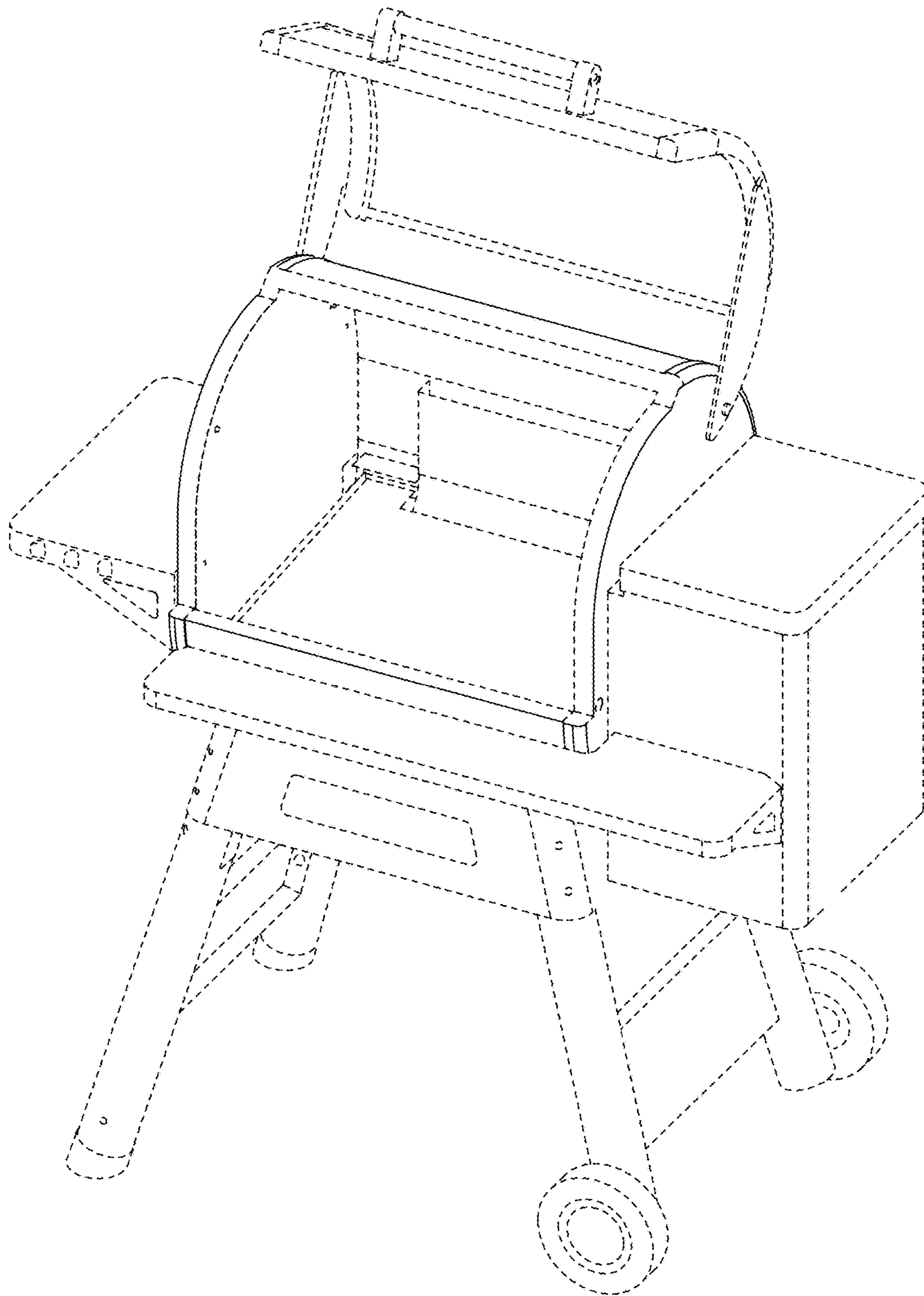


FIG. 10

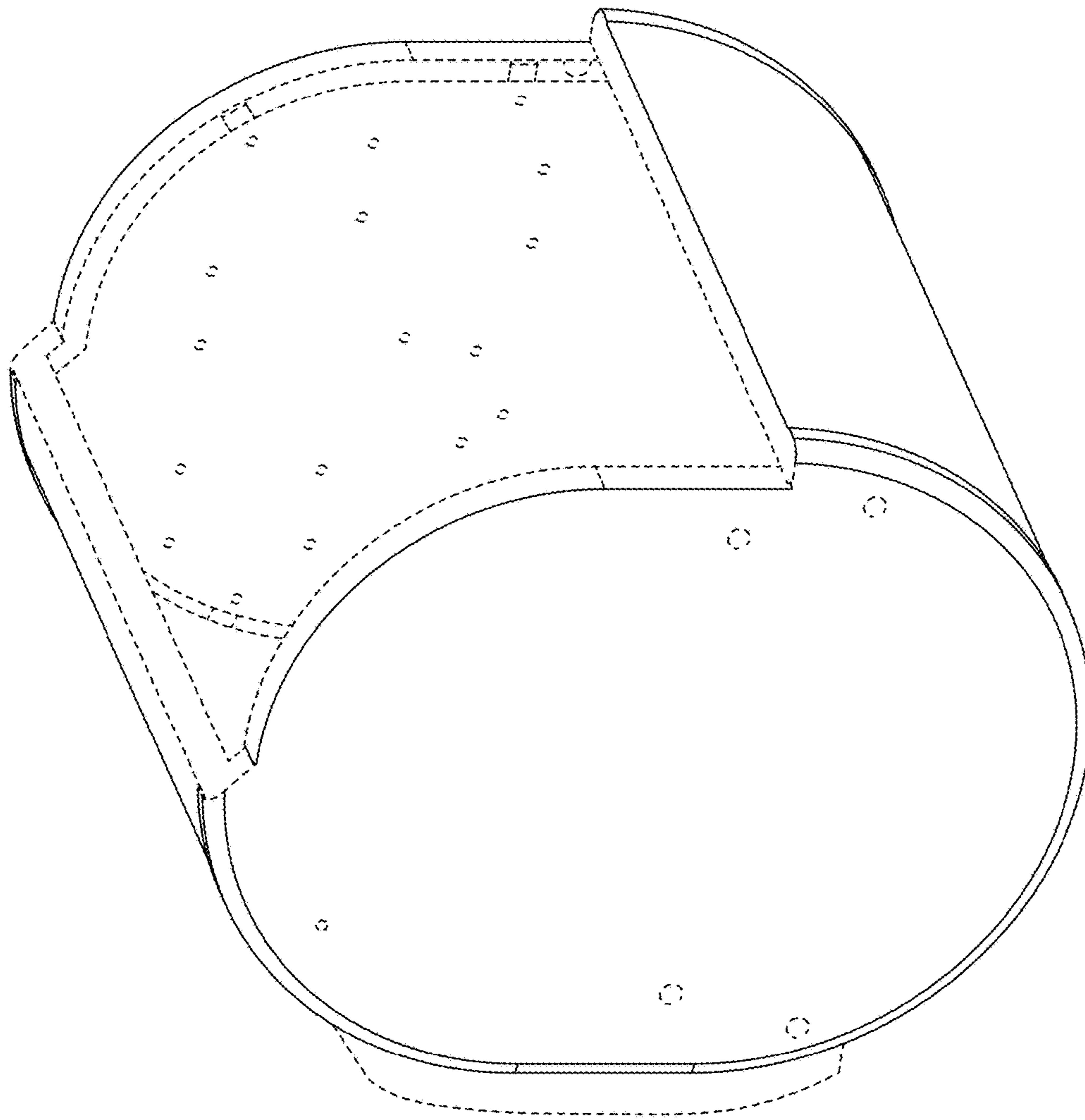


FIG. 11

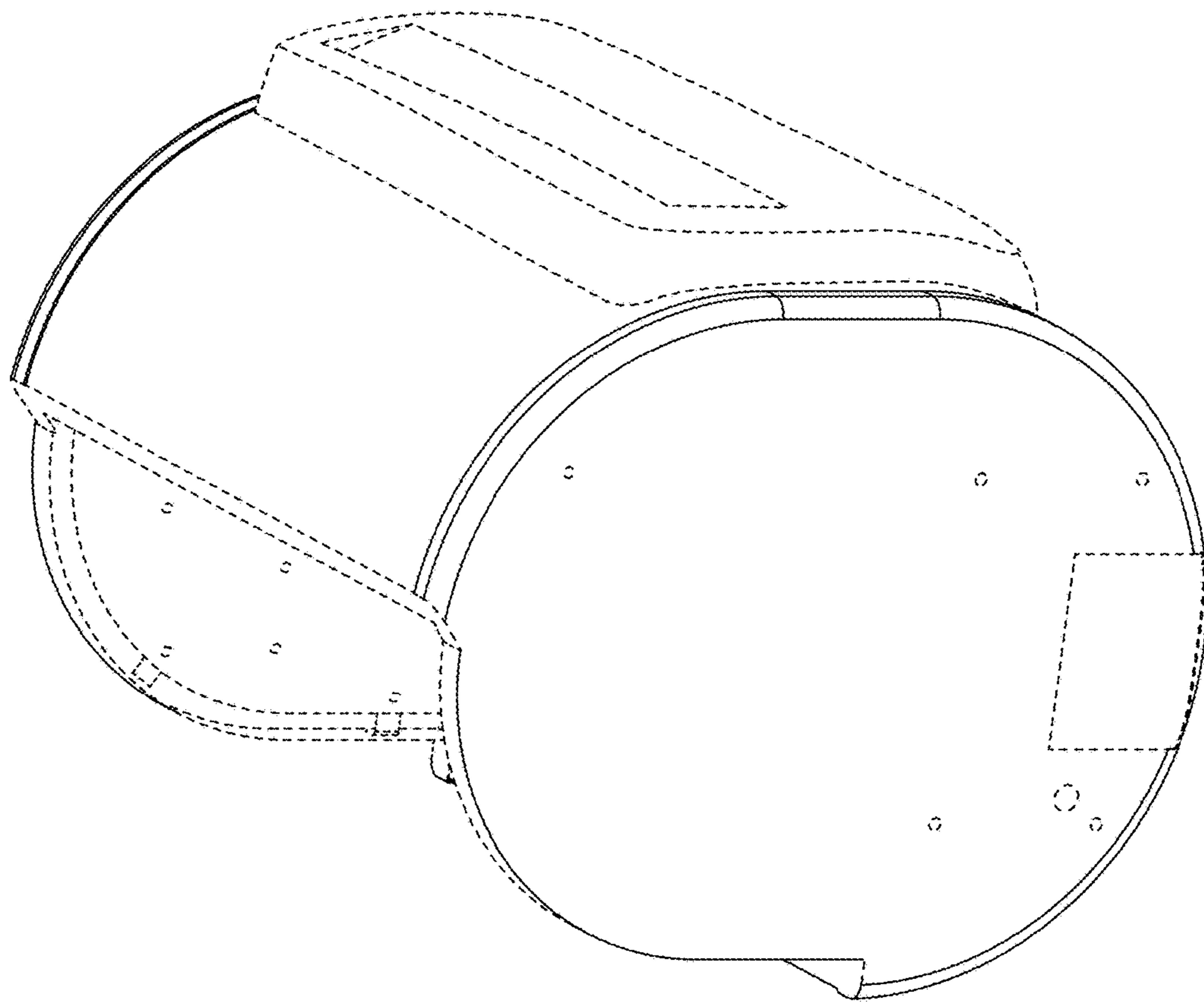


FIG. 12

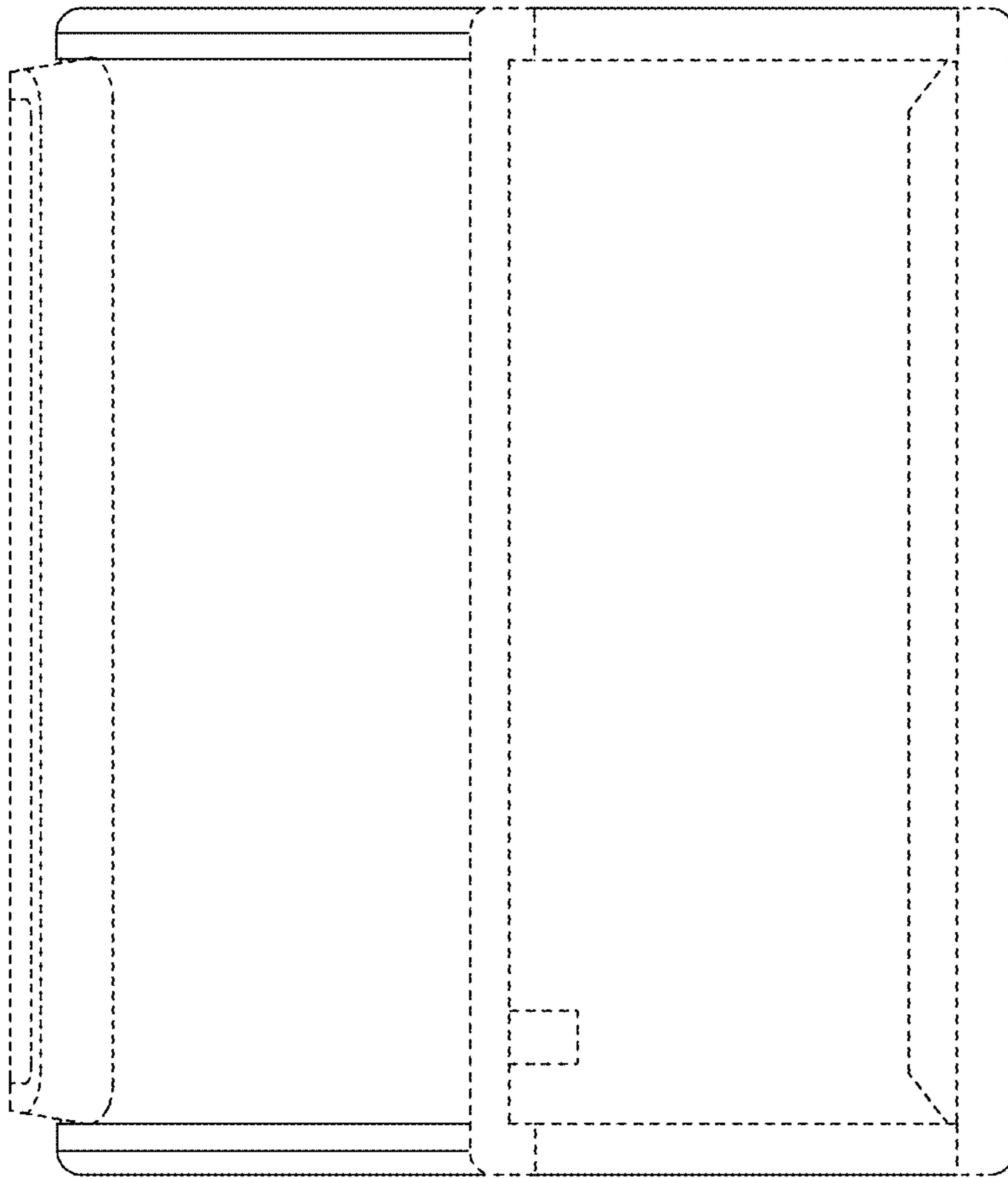


FIG. 13

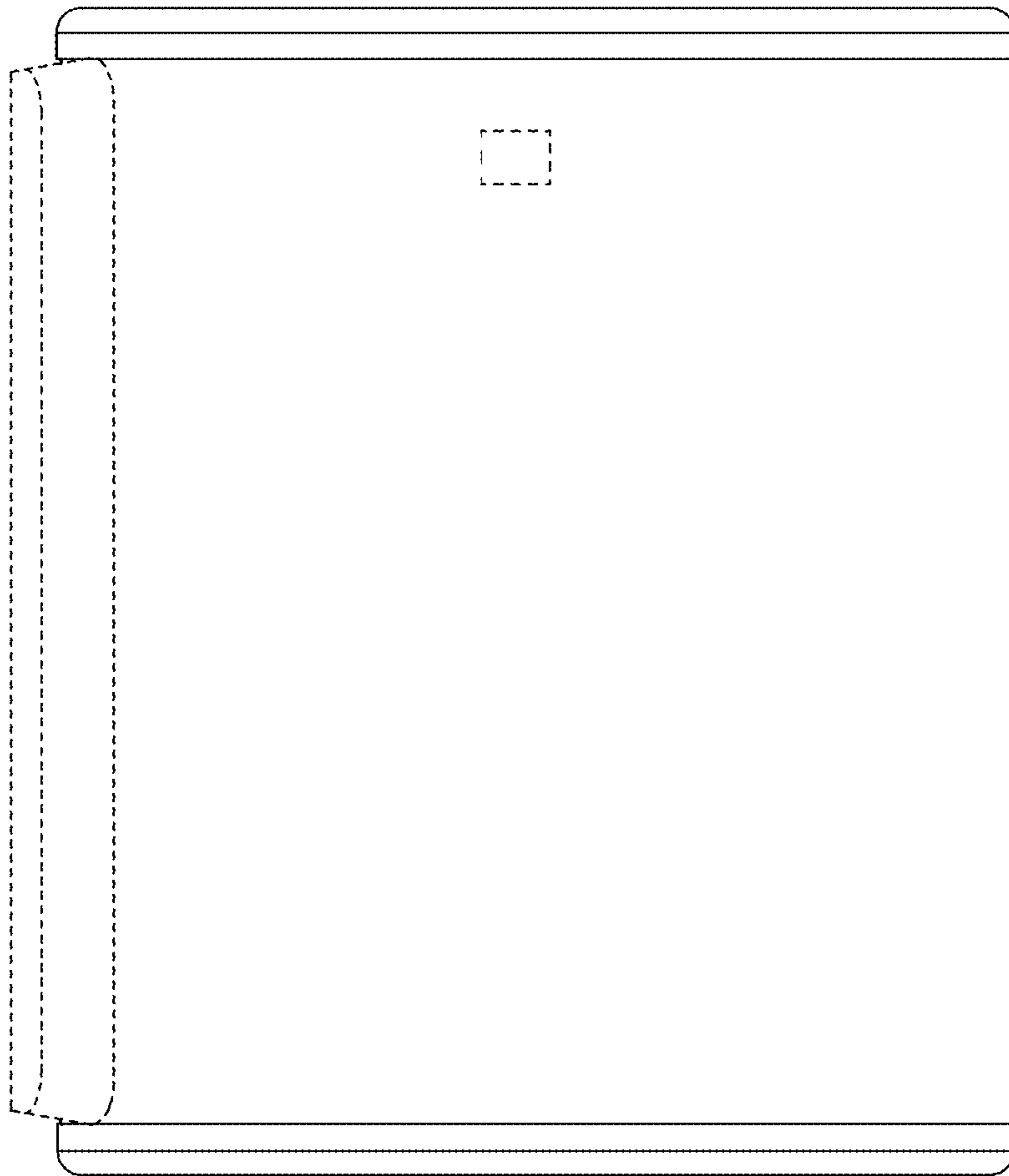


FIG. 14

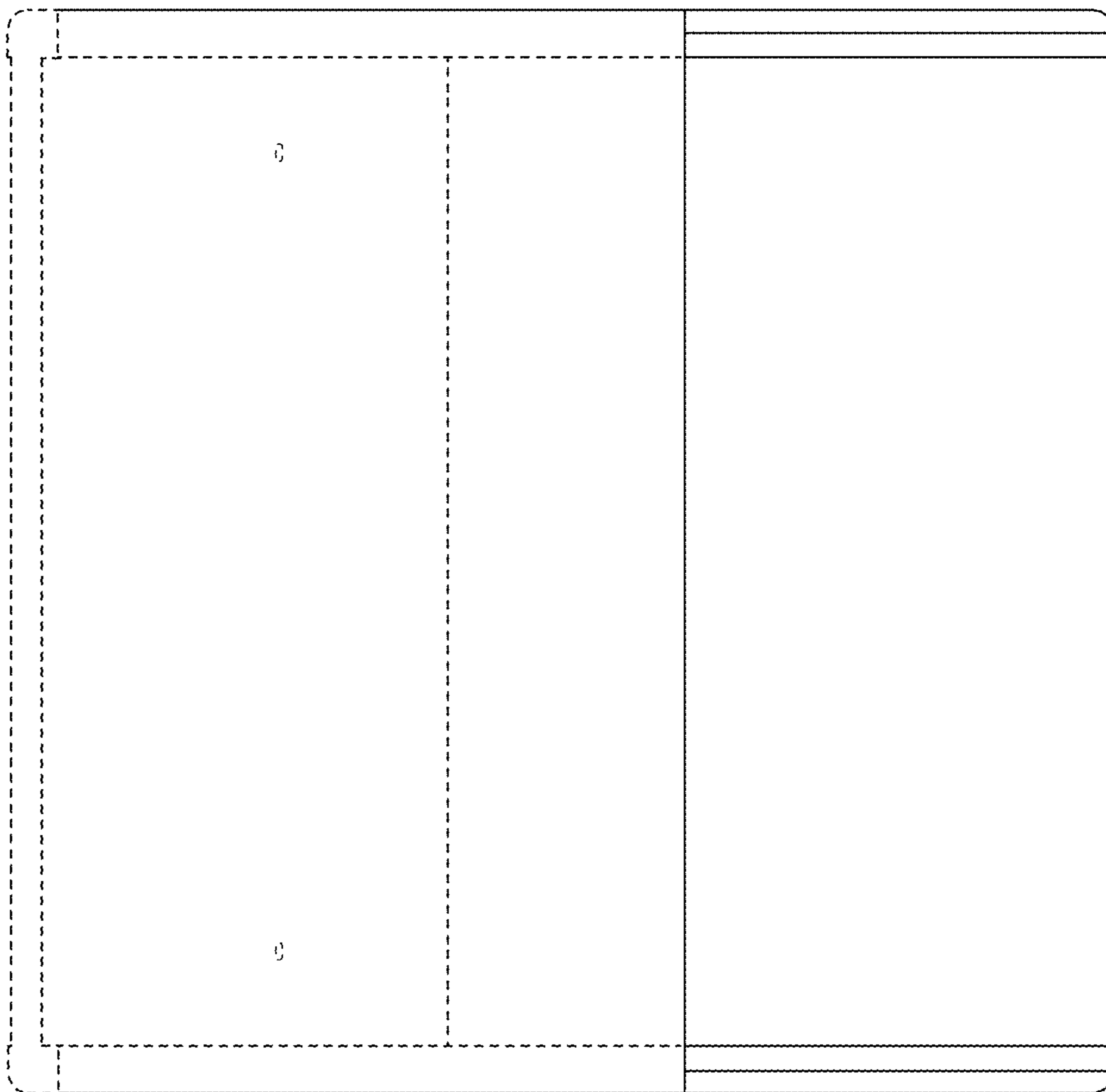


FIG. 15

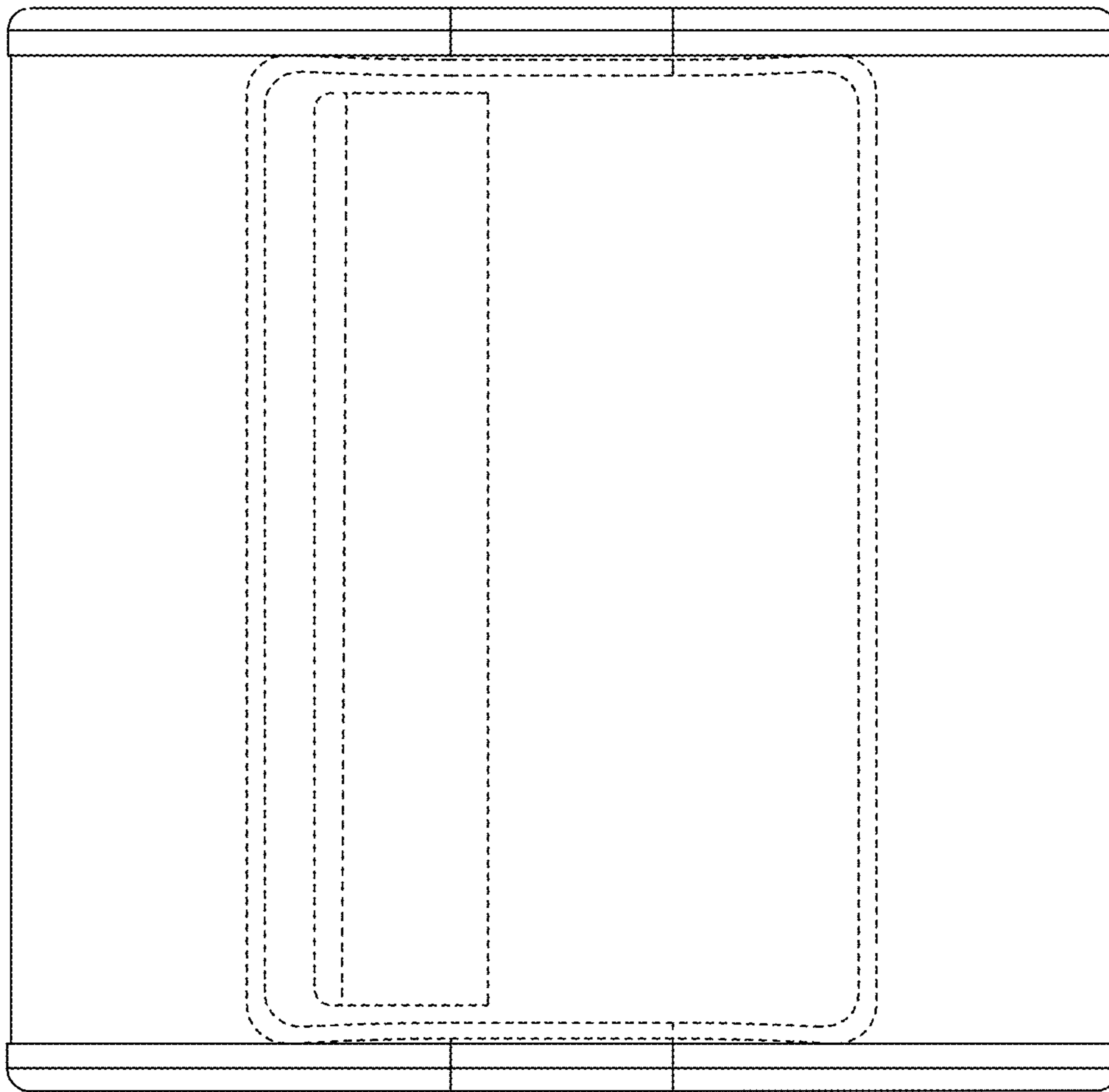


FIG. 16

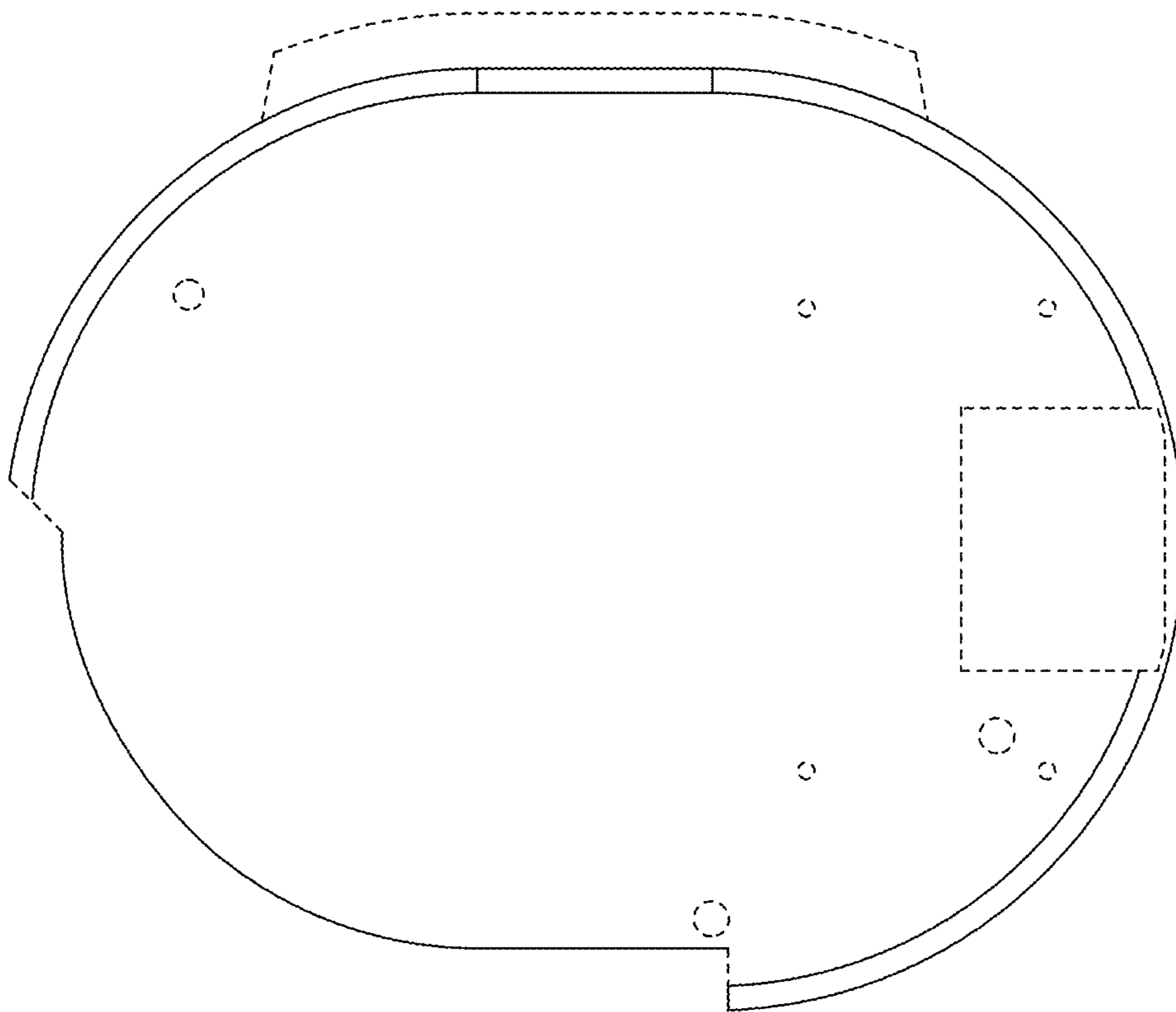


FIG. 17

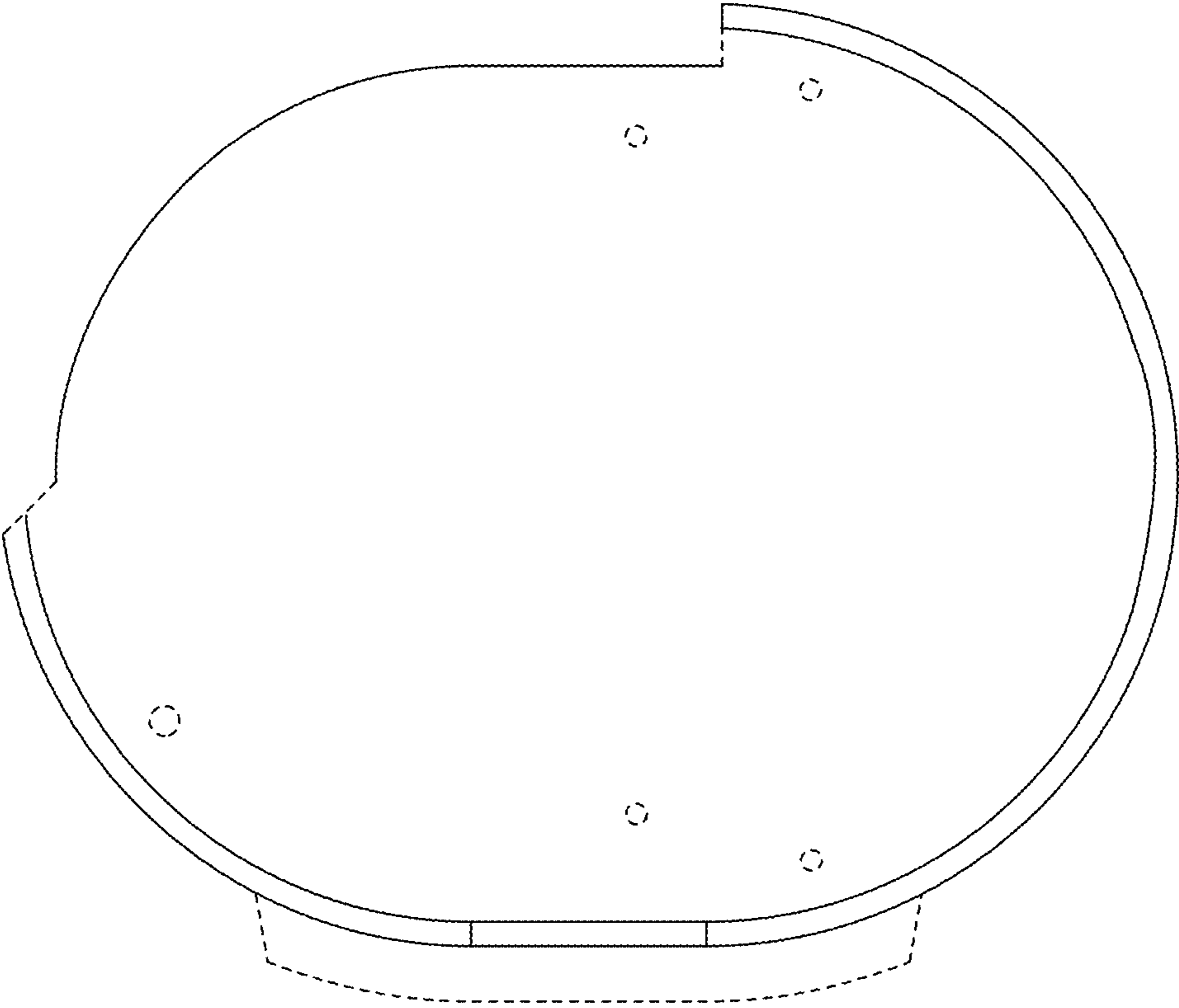


FIG. 18