



US00D839046S

(12) **United States Design Patent**  
**Munari**

(10) **Patent No.:** **US D839,046 S**

(45) **Date of Patent:** **\*\* Jan. 29, 2019**

(54) **HANDLE FOR COOKWARE**

(71) Applicant: **LA TERMOPLASTIC F.B.M. S.r.l.**,  
Arsago Seprio (VA) (IT)

(72) Inventor: **Marco Munari**, Cardano al Campo (IT)

(73) Assignee: **LA TERMOPLASTIC F.B.M. S.R.L.**,  
Arsago Seprio (VA) (IT)

(\*\*) Term: **15 Years**

(21) Appl. No.: **29/615,425**

(22) Filed: **Aug. 29, 2017**

(30) **Foreign Application Priority Data**

Mar. 2, 2017 (EM) ..... 003780147

(51) **LOC (11) Cl.** ..... **07-02**

(52) **U.S. Cl.**  
USPC ..... **D7/395**

(58) **Field of Classification Search**  
USPC ..... D7/354-361, 393-395, 401.2, 664;  
D8/107, 300, 303, 307, 313, 321;  
D4/138, 129

CPC ..... A47J 45/06; A47J 45/061; A47J 45/62;  
A47J 45/08; A47J 45/085; A47J 45/071;  
A47J 45/072; B65D 25/2802; B65D  
25/2882; B65D 25/2885; B65D 25/2888;  
B65D 25/2894; Y10S 220/912

See application file for complete search history.

(56) **References Cited**

**U.S. PATENT DOCUMENTS**

D284,634 S \* 7/1986 Sumikama ..... D7/393  
D331,171 S \* 11/1992 Berthet ..... D7/393

D417,121 S \* 11/1999 Brunianyn ..... D7/395  
D508,631 S \* 8/2005 Cuillery ..... D7/395  
D528,360 S \* 9/2006 Pascal ..... D7/395  
D555,422 S \* 11/2007 Munari ..... D7/395  
D584,104 S \* 1/2009 Munari ..... D7/393  
D618,051 S \* 6/2010 Munari ..... D7/395  
D686,873 S \* 7/2013 Rae ..... D7/395  
D720,572 S \* 1/2015 Dodane ..... D7/395  
D741,108 S \* 10/2015 Munari ..... D7/395  
D812,420 S \* 3/2018 Munari ..... D7/395

\* cited by examiner

*Primary Examiner* — Cynthia M. Chin

(74) *Attorney, Agent, or Firm* — King & Schickli, PLLC

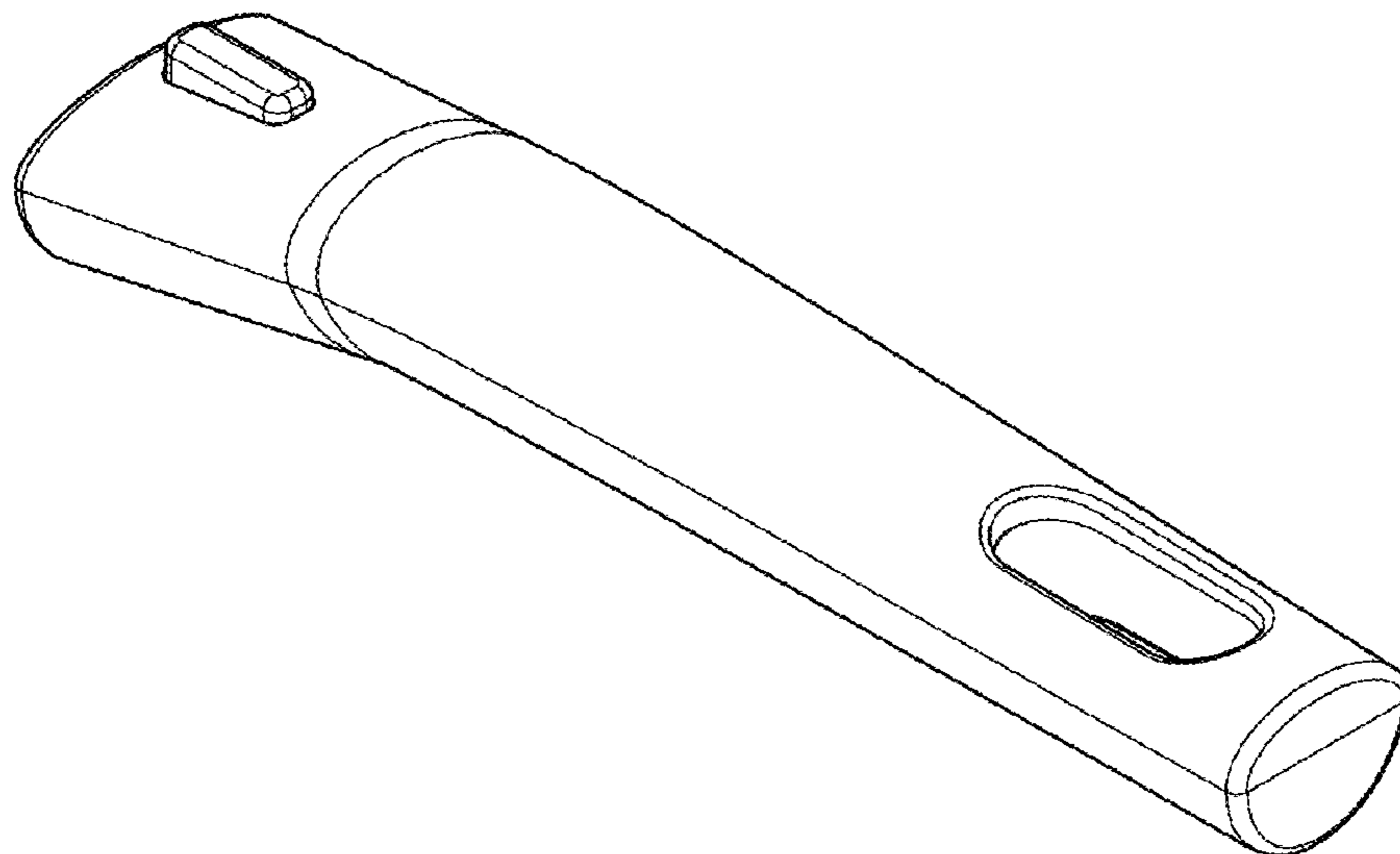
(57) **CLAIM**

The ornamental design for a handle for cookware, as shown and described.

**DESCRIPTION**

FIG. 1 is a top perspective view of my design;  
FIG. 2 is a right side view of my design;  
FIG. 3 is a left side view of my design;  
FIG. 4 is a front view of my design;  
FIG. 5 is rear view of my design;  
FIG. 6 is a top view of my design;  
FIG. 7 is a bottom view of my design; and,  
FIG. 8 is a bottom perspective view of my design.  
The broken lines are for the purpose of illustrating portions of the article that form no part of the claim.

**1 Claim, 2 Drawing Sheets**



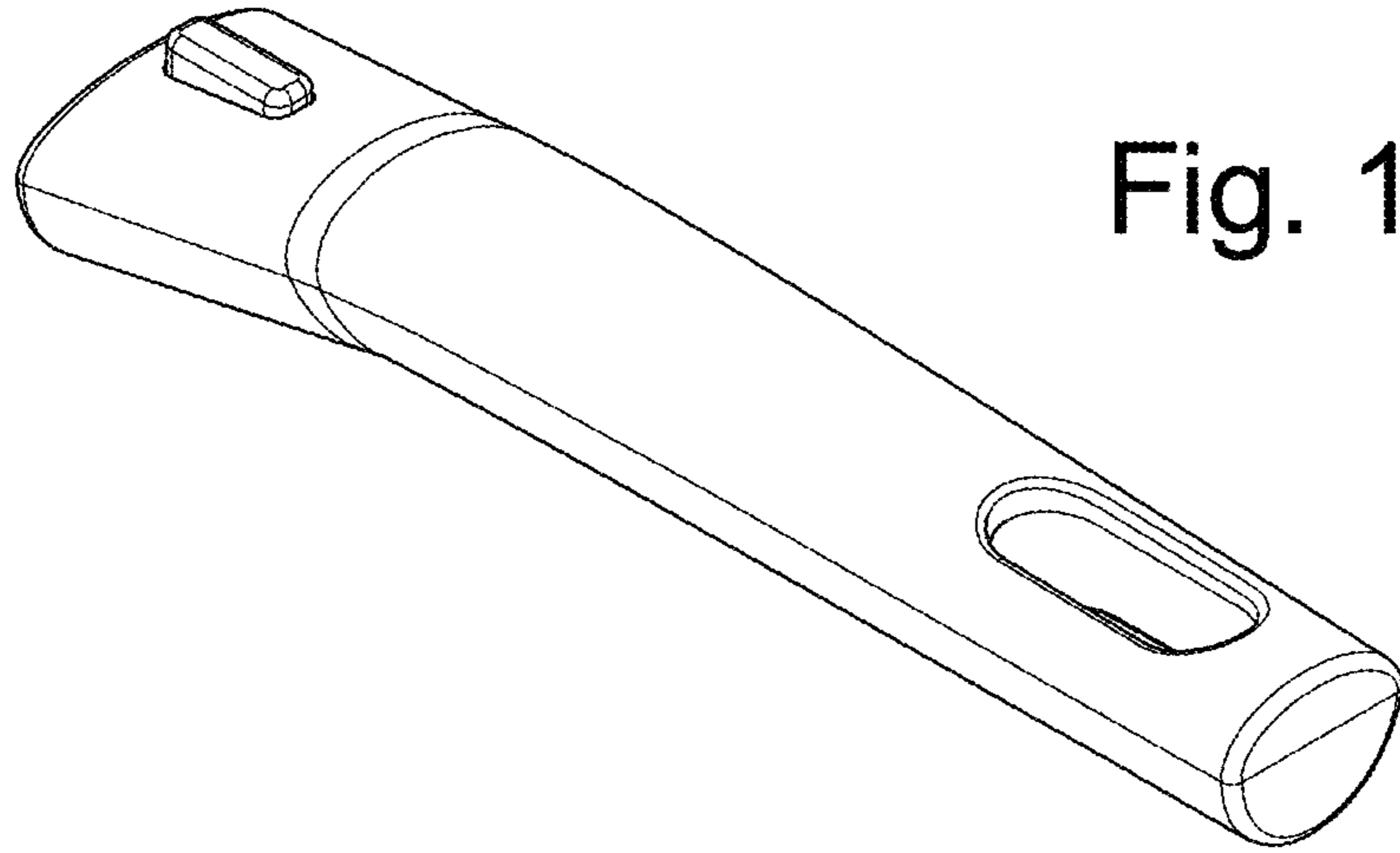


Fig. 1

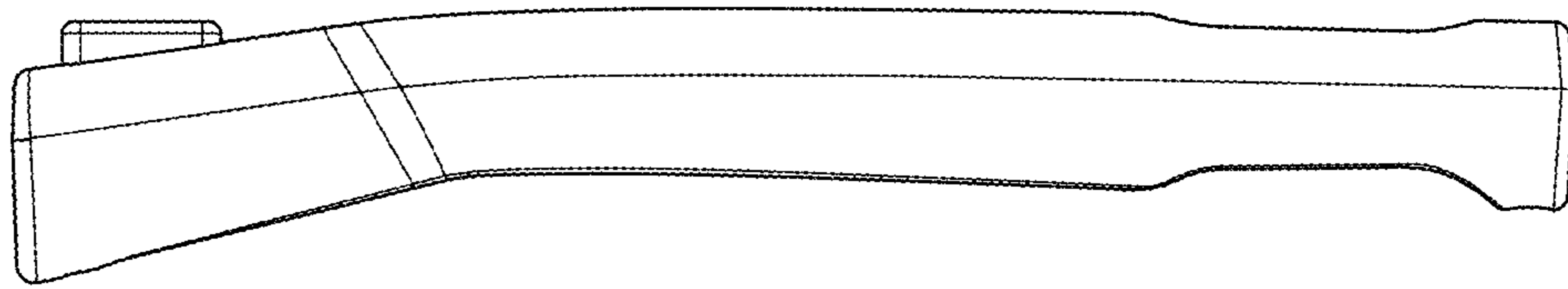


Fig. 2

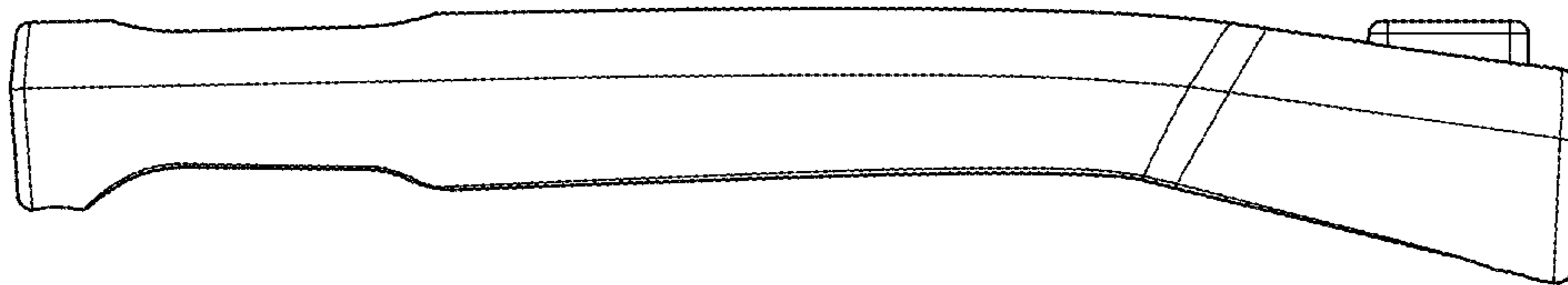


Fig. 3

Fig. 4

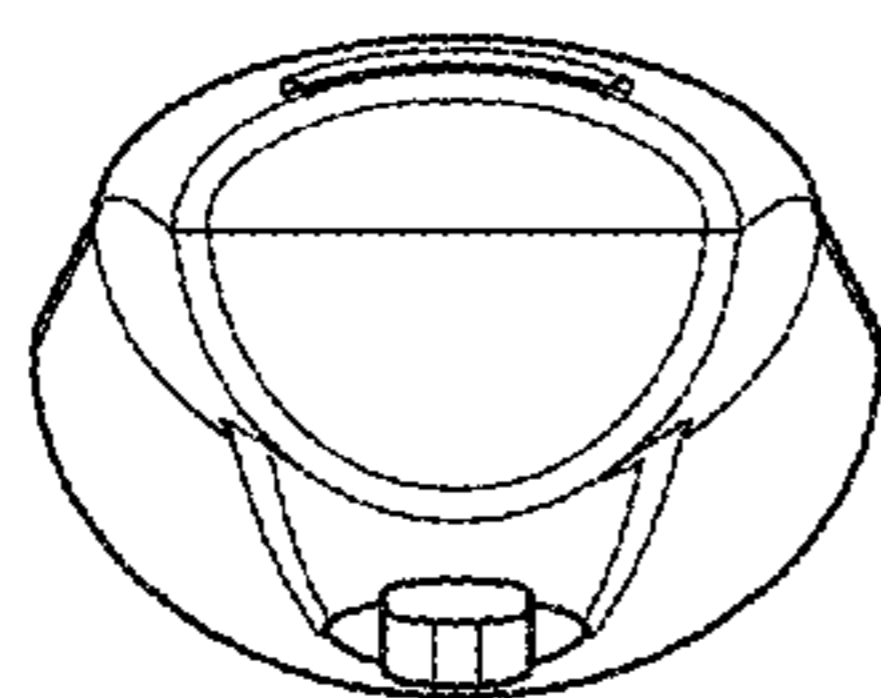


Fig. 5

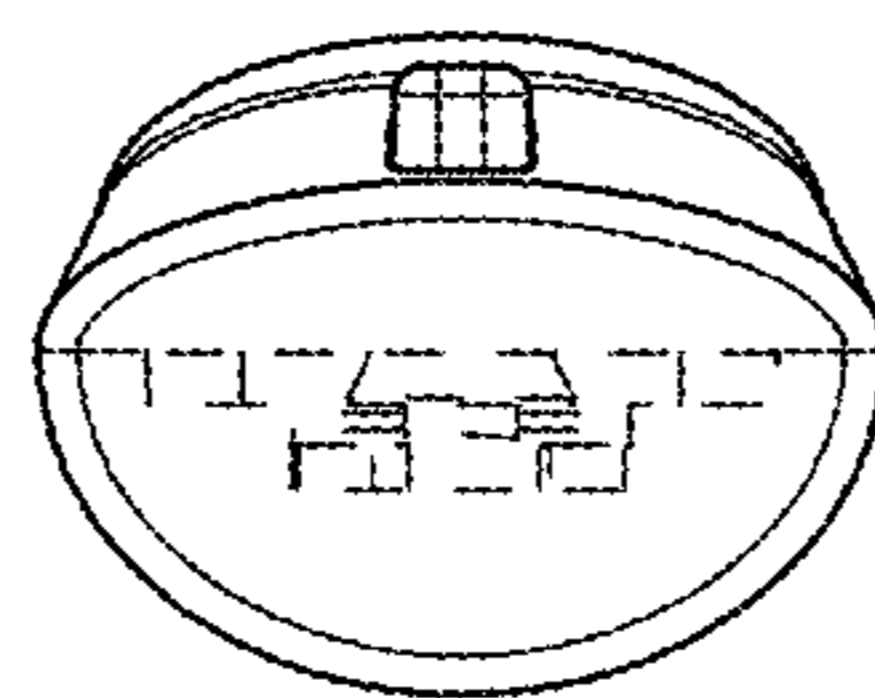


Fig. 6

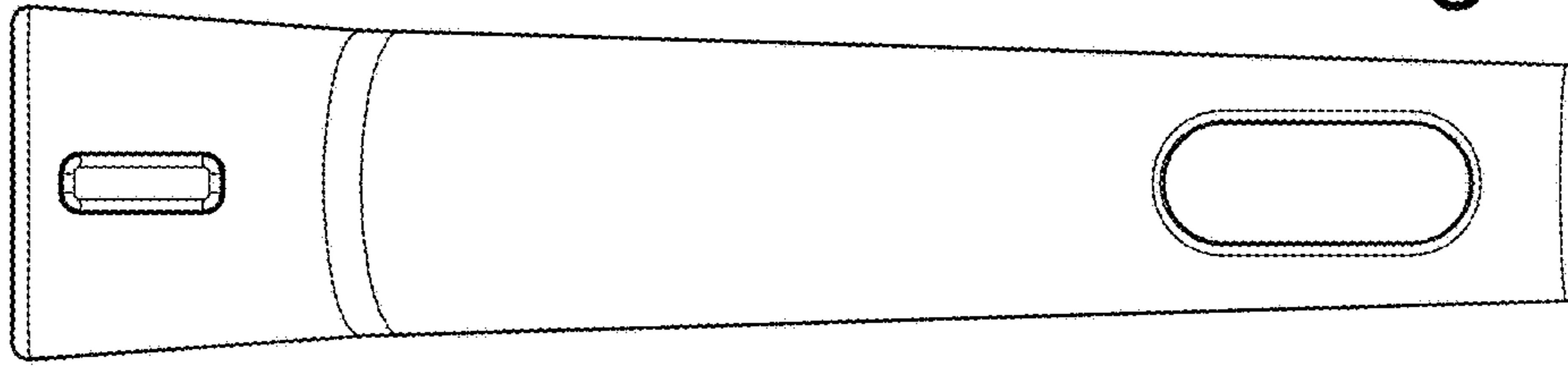


Fig. 7

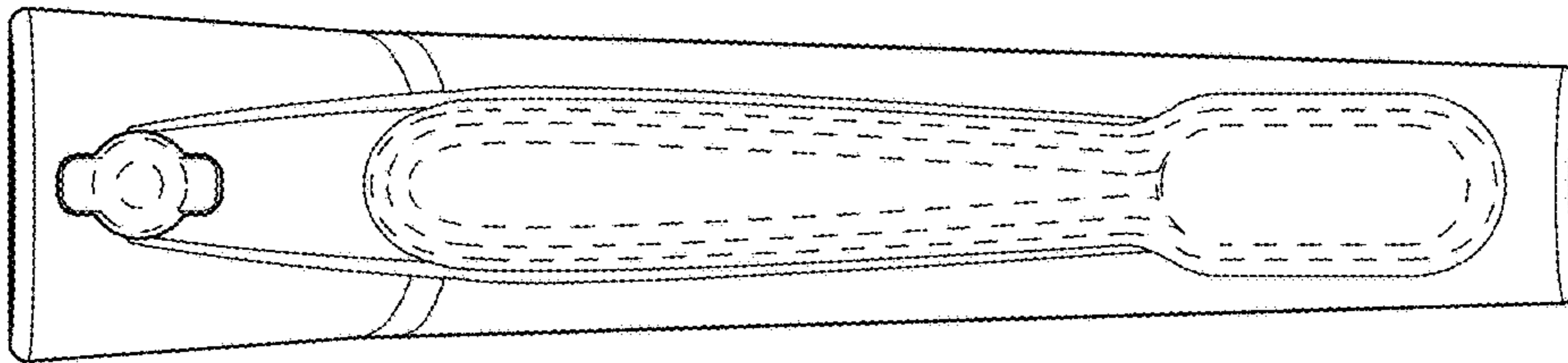


Fig. 8

