



US00D839045S

(12) **United States Design Patent**
Campbell, Jr. et al.

(10) **Patent No.:** **US D839,045 S**
(45) **Date of Patent:** **** Jan. 29, 2019**

(54) **HANDLE COMPONENT FOR A COOLER OR SIMILAR ARTICLE**

(71) Applicants: **Scott Campbell, Jr.**, Walla Walla, WA (US); **Michael West**, Chandler, AZ (US)

(72) Inventors: **Scott Campbell, Jr.**, Walla Walla, WA (US); **Michael West**, Chandler, AZ (US)

(73) Assignee: **Cordova LLC**, Nampa, ID (US)

(**) Term: **15 Years**

(21) Appl. No.: **29/558,769**

(22) Filed: **Mar. 21, 2016**

(51) **LOC (11) Cl.** **07-99**

(52) **U.S. Cl.**
USPC **D7/394**

(58) **Field of Classification Search**
USPC D3/318; D7/213, 354-361, 387, 391, D7/393-395, 396.2, 396, 401.1, 401.2, D7/514, 601, 605, 664; D8/16-19, 306, D8/315, 316, 317, 318, 319-321, 331, D8/336, 343
CPC A47J 45/06; A47J 45/061; A47J 45/62; A47J 45/08; A47J 45/075; B65D 25/2802; B65D 25/2882; B65D 25/2888; B65D 25/2894; B75D 25/2885; A61B 17/1659; B44D 3/14
See application file for complete search history.

(56) **References Cited**

U.S. PATENT DOCUMENTS

4,982,869 A * 1/1991 Robbins, III A47J 45/075 215/395
D321,112 S * 10/1991 Goulter D7/395
5,089,003 A * 2/1992 Fallin A61B 17/1659 606/53

D331,684 S * 12/1992 Trombley D7/533
D362,371 S * 9/1995 Williams D7/622
D456,578 S * 4/2002 Smith D32/54
D503,328 S * 3/2005 Catlett D8/342

(Continued)

OTHER PUBLICATIONS

www.youtube.com/watch?v=Kh3ZAJicmPo Apr. 19, 2017.*

(Continued)

Primary Examiner — Jennifer Rivard

Assistant Examiner — Catherine S Posthauer

(74) *Attorney, Agent, or Firm* — Park, Vaughan, Fleming & Dowler LLP

(57) **CLAIM**

The ornamental design for a handle component for a cooler or similar article, as shown and described.

DESCRIPTION

FIG. 1 is a perspective view of a handle component for a cooler or similar article, showing our new design, in a position of use with an exemplary cooler and an exemplary handle;

FIG. 2 is a perspective view of the handle component, shown independent of the environmental subject matter to show aspects of the design that are not visible when combined;

FIG. 3 is a left side elevation view thereof;

FIG. 4 is a right side elevation view thereof;

FIG. 5 is a front elevation view thereof;

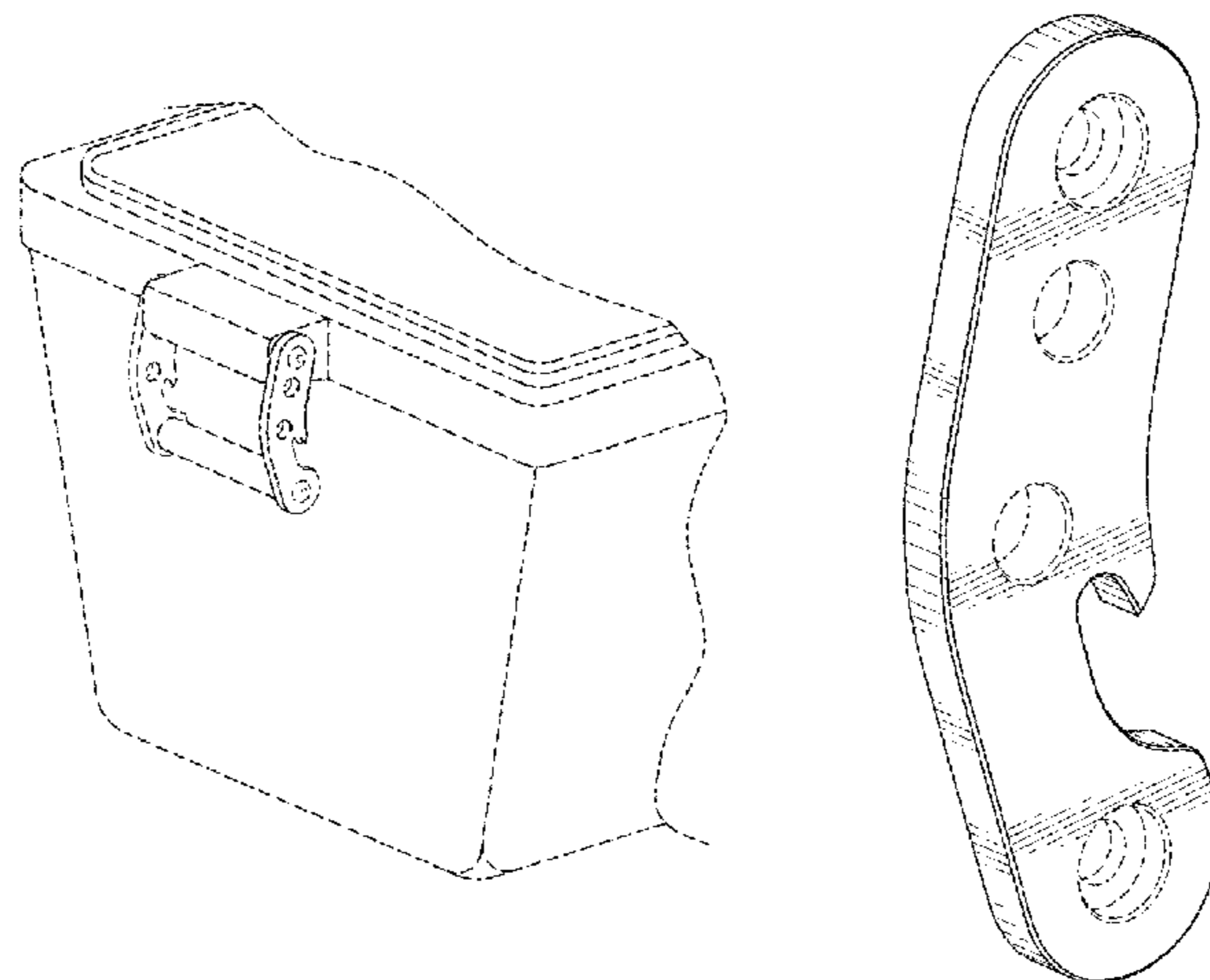
FIG. 6 is a rear elevation view thereof;

FIG. 7 is a top plan view thereof; and,

FIG. 8 is a bottom plan view thereof.

The broken lines are shown for the purpose of illustrating environmental subject matter of a cooler and a handle, as well as parts of the article, none of which form part of the claim.

1 Claim, 2 Drawing Sheets



(56)

References Cited

U.S. PATENT DOCUMENTS

7,387,323 B1 * 6/2008 Minnette B44D 3/14
220/756
D607,327 S * 1/2010 Harlan D9/455
D641,893 S * 7/2011 Busschaert D25/68
D732,913 S * 6/2015 Lozano D8/18
D745,320 S * 12/2015 Hill D7/394
D765,469 S * 9/2016 Hill D7/394
D766,687 S * 9/2016 Arcomano D8/18
D816,444 S * 5/2018 VoVilla D8/18
2016/0368312 A1 * 12/2016 Cooper B44D 3/14

OTHER PUBLICATIONS

Cordova Coolers: Announced Jun. 24, 2016 [online]. Site visited Aug. 28, 2018. Available from Internet URL: <https://www.youtube.com/watch?v=csC9XTXFUY>.*

NE12 Nemesis Titanium Bottle Opener: Announced Feb. 25, 2013 [online]. Site visited Aug. 28, 2018. Available from Internet URL: https://www.discountcutlery.net/NE12-Nemesis-Titanium-Bottle-Opener_p_37904.html.*

* cited by examiner

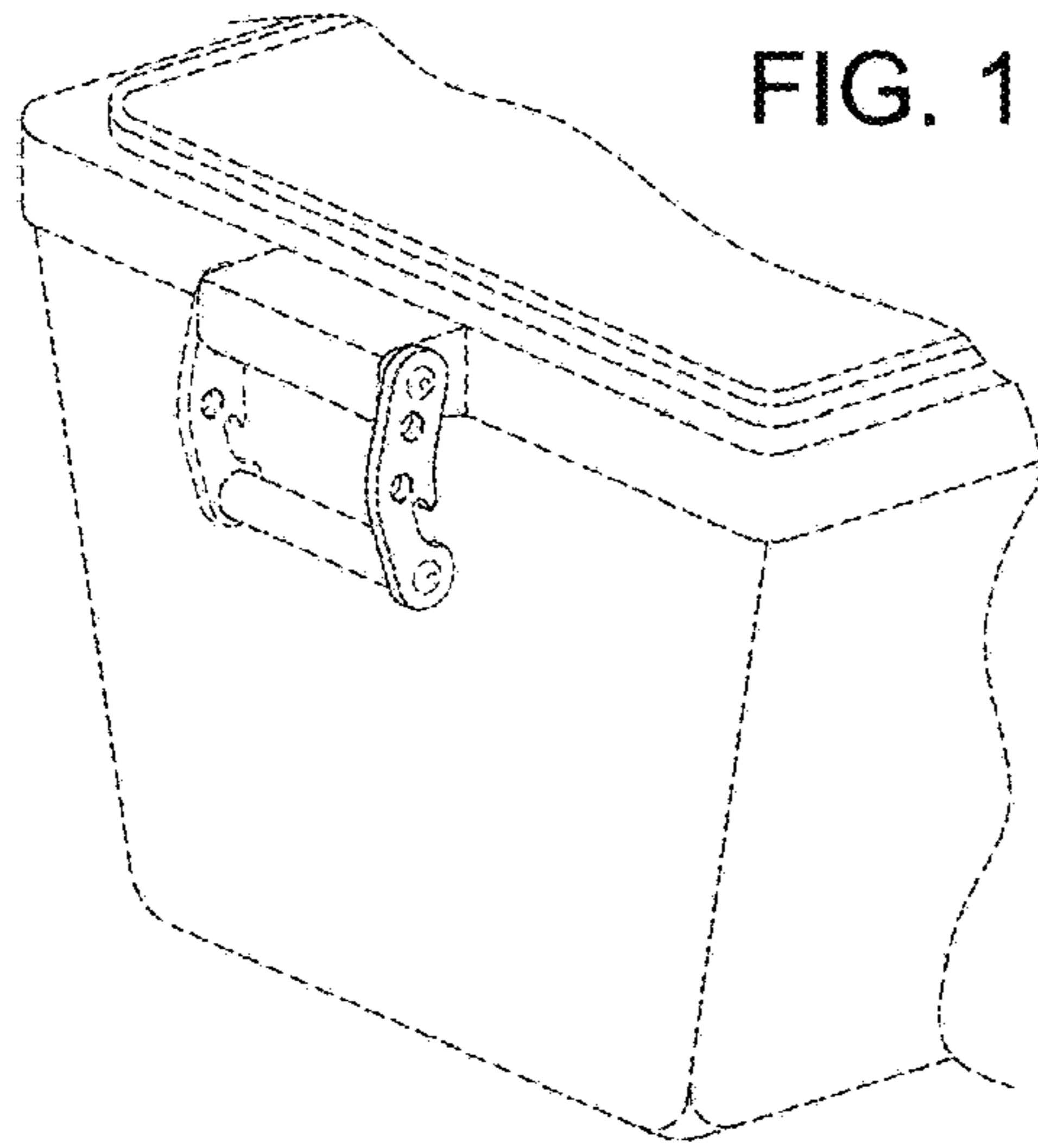


FIG. 1

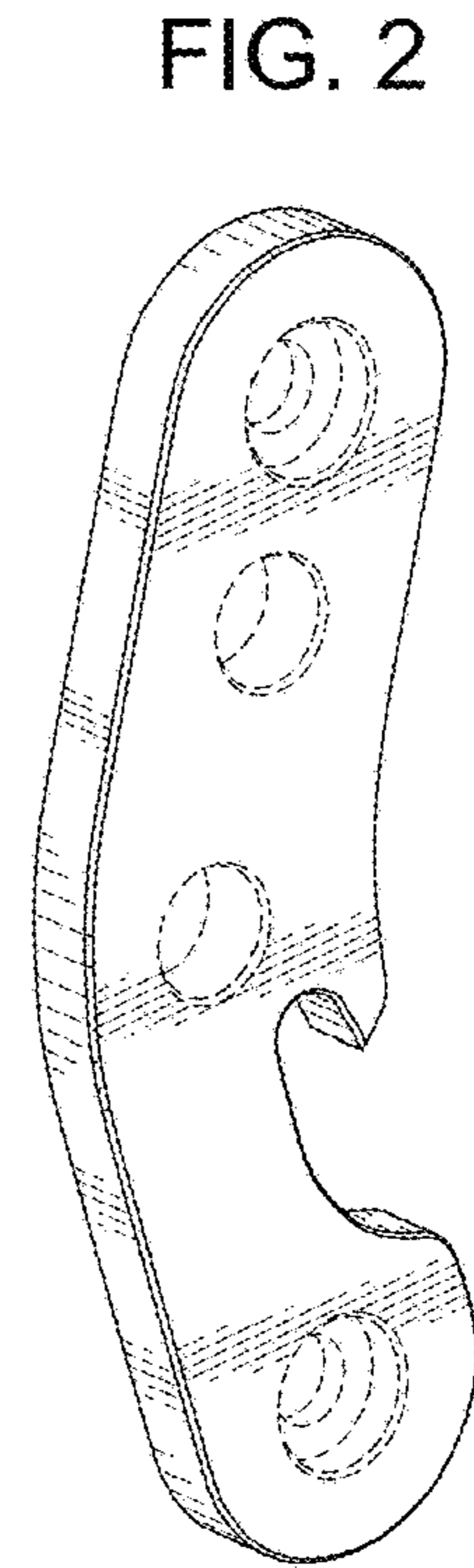


FIG. 2

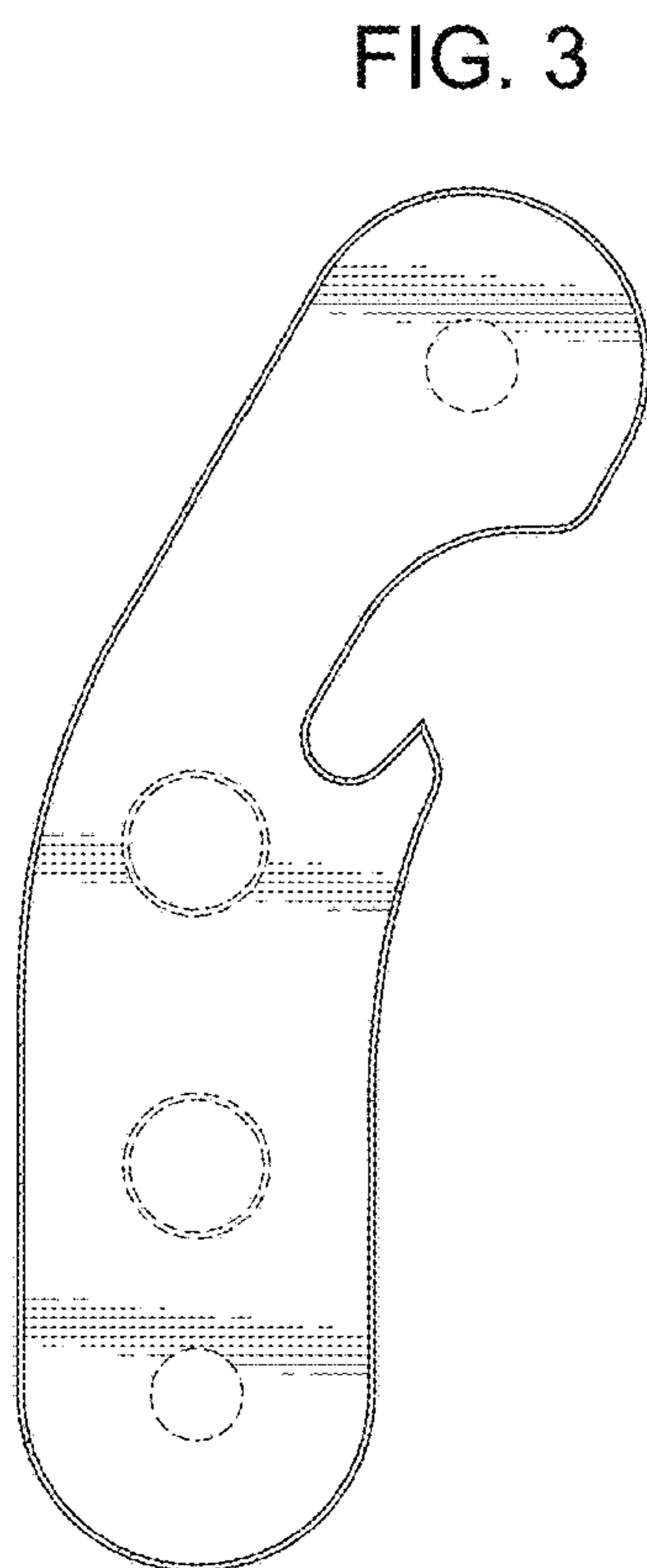


FIG. 3

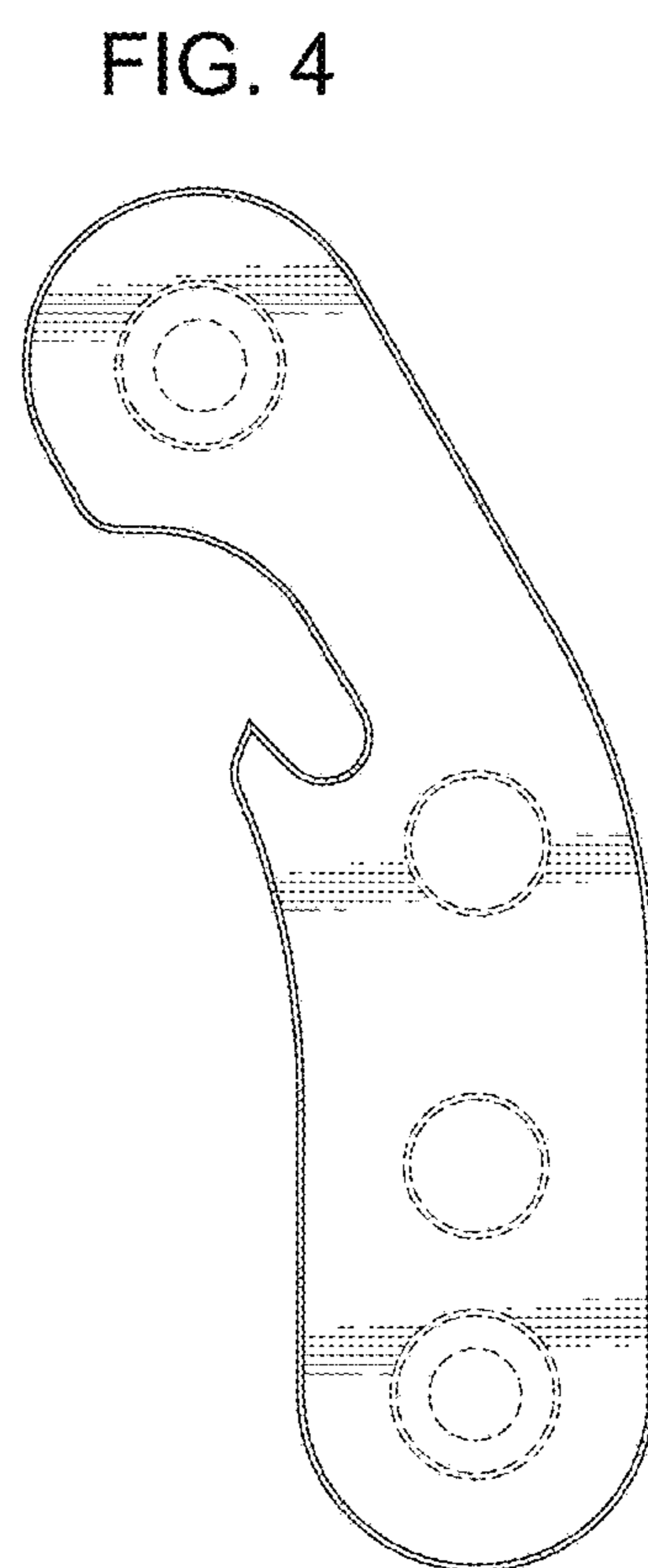


FIG. 4

FIG. 5

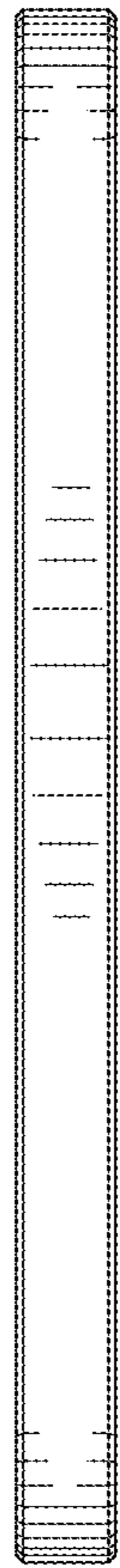


FIG. 6



FIG. 7

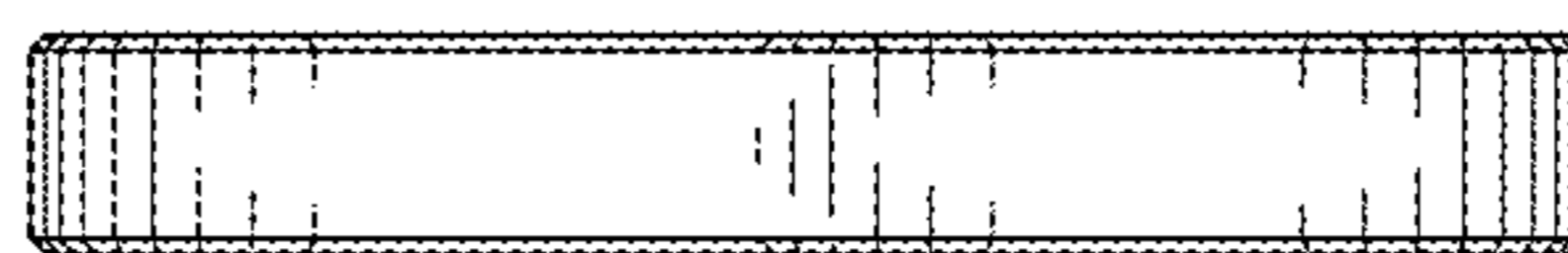


FIG. 8

