



US00D839044S

(12) **United States Design Patent**
Potter et al.

(10) **Patent No.:** **US D839,044 S**
(45) **Date of Patent:** **** Jan. 29, 2019**

(54) **CONTAINER LID**

(71) Applicant: **THE DECOR CORPORATION PTY LTD**, Scoresby VIC (AU)

(72) Inventors: **Matthew Potter**, Scoresby (AU);
George Kotsiopoulos, Scoresby (AU);
Toby Hartley, Scoresby (AU)

(73) Assignee: **The Decor Corporation Pty Ltd**,
Scoresby Victoria (AU)

(**) Term: **15 Years**

(21) Appl. No.: **29/609,355**

(22) Filed: **Jun. 29, 2017**

(30) **Foreign Application Priority Data**

Feb. 10, 2017 (AU) 201710814

(51) **LOC (11) Cl.** **07-99**

(52) **U.S. Cl.**
USPC **D7/392; D7/392.1**

(58) **Field of Classification Search**
USPC D9/452, 453, 454, 435, 447, 449, 780,
D9/434, 424, 430, 443; D7/391, 392,
D7/392.1, 510, 511, 538, 540, 542, 543,
D7/544, 545, 629, 354, 360, 396.1, 602,
D7/705

CPC ... A47G 19/2205; A47G 19/2222; A45F 3/16;
A45F 3/20; B67D 7/06; B67D 1/0004;
B65D 25/14; B65D 47/065; B65D
47/066; B65D 2543/00101; B65D
2543/00027

See application file for complete search history.

(56) **References Cited**

U.S. PATENT DOCUMENTS

RE42,484 E * 6/2011 Kitamura D7/510
D686,870 S * 7/2013 Young D7/392.1
D739,174 S * 9/2015 Elsaden D7/392.1

D742,230 S * 11/2015 Charles D7/396.2
D748,429 S * 2/2016 Lv D7/391
9,272,822 B2 * 3/2016 Samartgis B65D 47/12
D767,336 S * 9/2016 Waggoner D7/507
D779,872 S * 2/2017 Bergstrom D7/392.1
D780,516 S * 3/2017 Cornelius D7/510
D787,268 S * 5/2017 Matsuo D7/510
D793,166 S * 8/2017 Karussi D7/510
D798,715 S * 10/2017 Sims D9/448
D799,898 S * 10/2017 Yao D7/510

(Continued)

OTHER PUBLICATIONS

Decor website, Athletic One Touch Tritan, Earliest Wayback Machine publication date Apr. 12, 2018, [site visited May 21, 2018], Available on the Internet URL <https://www.decor.com.au/product/decorathletic-one-touch-tritan-bottle-750ml/>.*

Primary Examiner — Karen S Acker

Assistant Examiner — Steven B Reinholdt, Jr.

(74) *Attorney, Agent, or Firm* — Kilpatrick Townsend & Stockton LLP

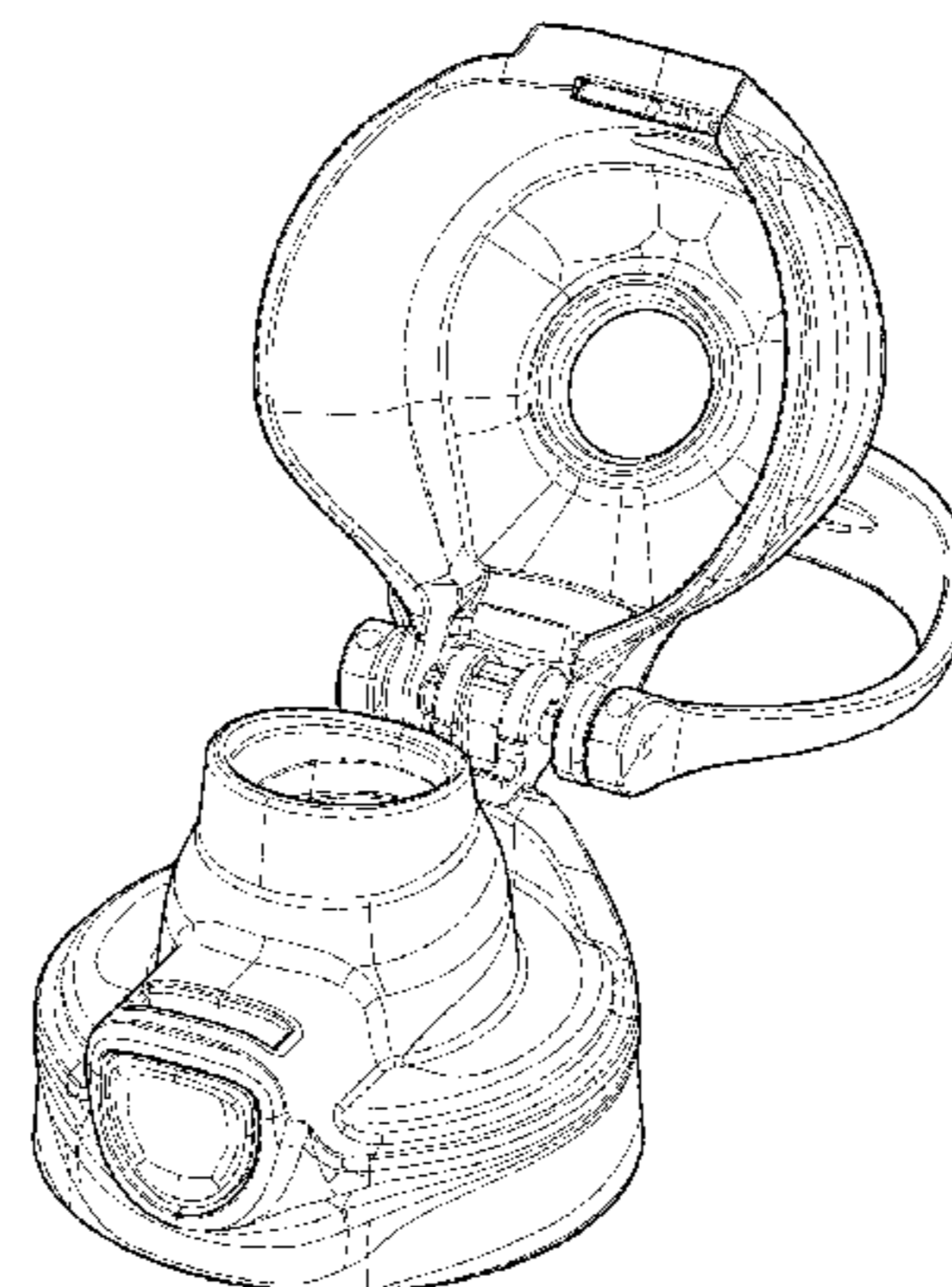
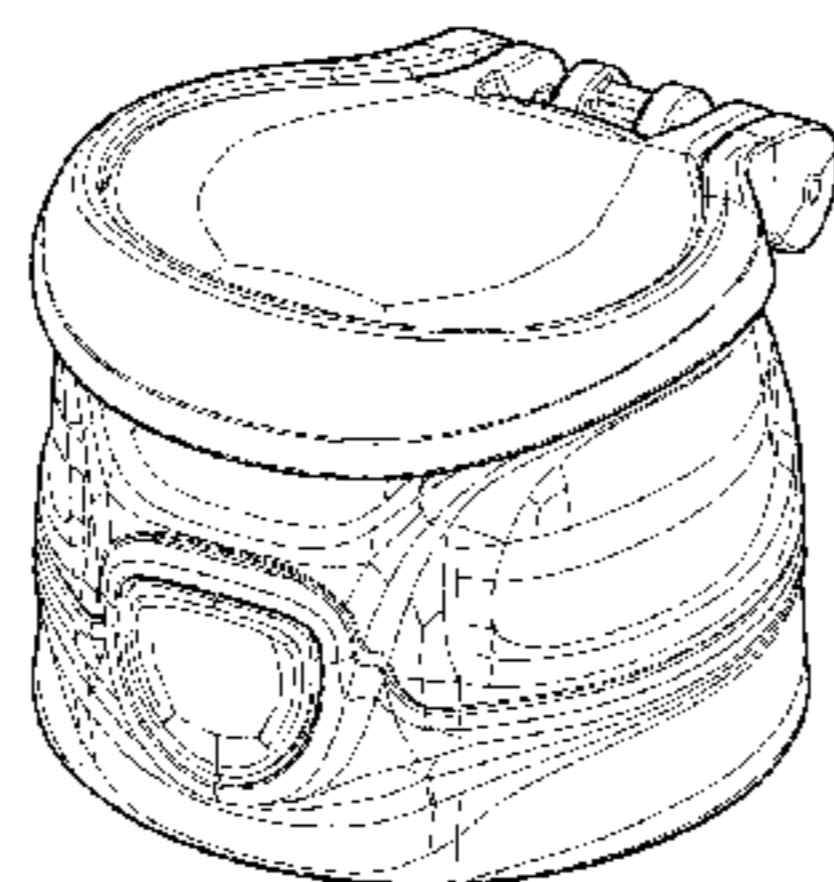
(57) **CLAIM**

The ornamental design for a container lid, as shown and described.

DESCRIPTION

FIG. 1 is a top, front perspective view of a container lid showing our new design in a first configuration; FIG. 2 is a bottom, rear perspective view thereof; FIG. 3 is a front elevational view thereof; FIG. 4 is a rear elevational view thereof; FIG. 5 is a top plan view thereof; FIG. 6 is a bottom plan view thereof; FIG. 7 is a right side elevational view thereof; FIG. 8 is a left side elevational view thereof; FIG. 9 is a top, front perspective view of the container lid in a second configuration; and, FIG. 10 is a top, rear perspective view of the container lid in the second configuration.

1 Claim, 10 Drawing Sheets



(56)

References Cited

U.S. PATENT DOCUMENTS

D802,366 S * 11/2017 Cerasani D7/510
D804,904 S * 12/2017 Noveletsky D7/510
D816,411 S * 5/2018 Stover D7/510

* cited by examiner

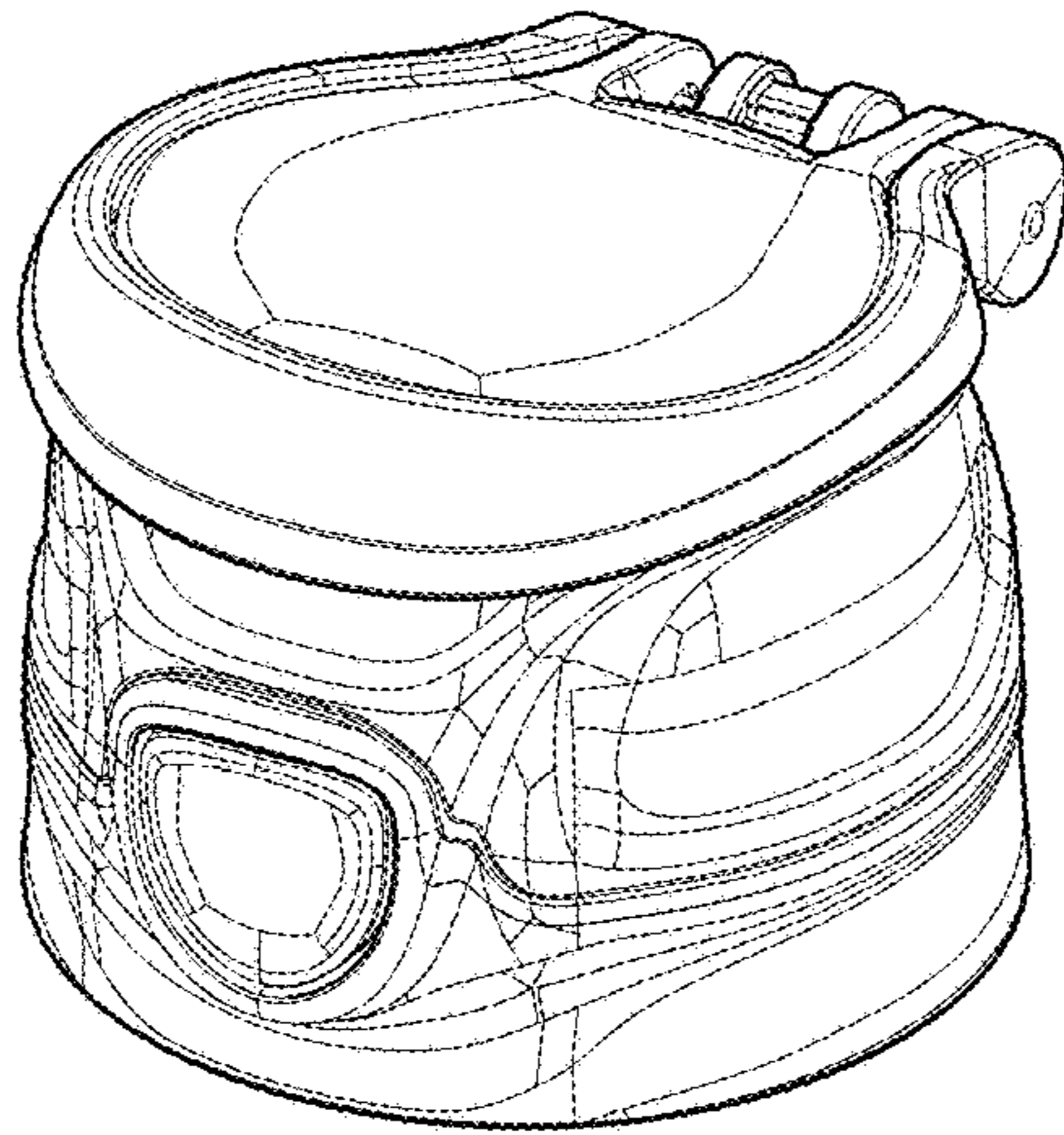


Figure 1

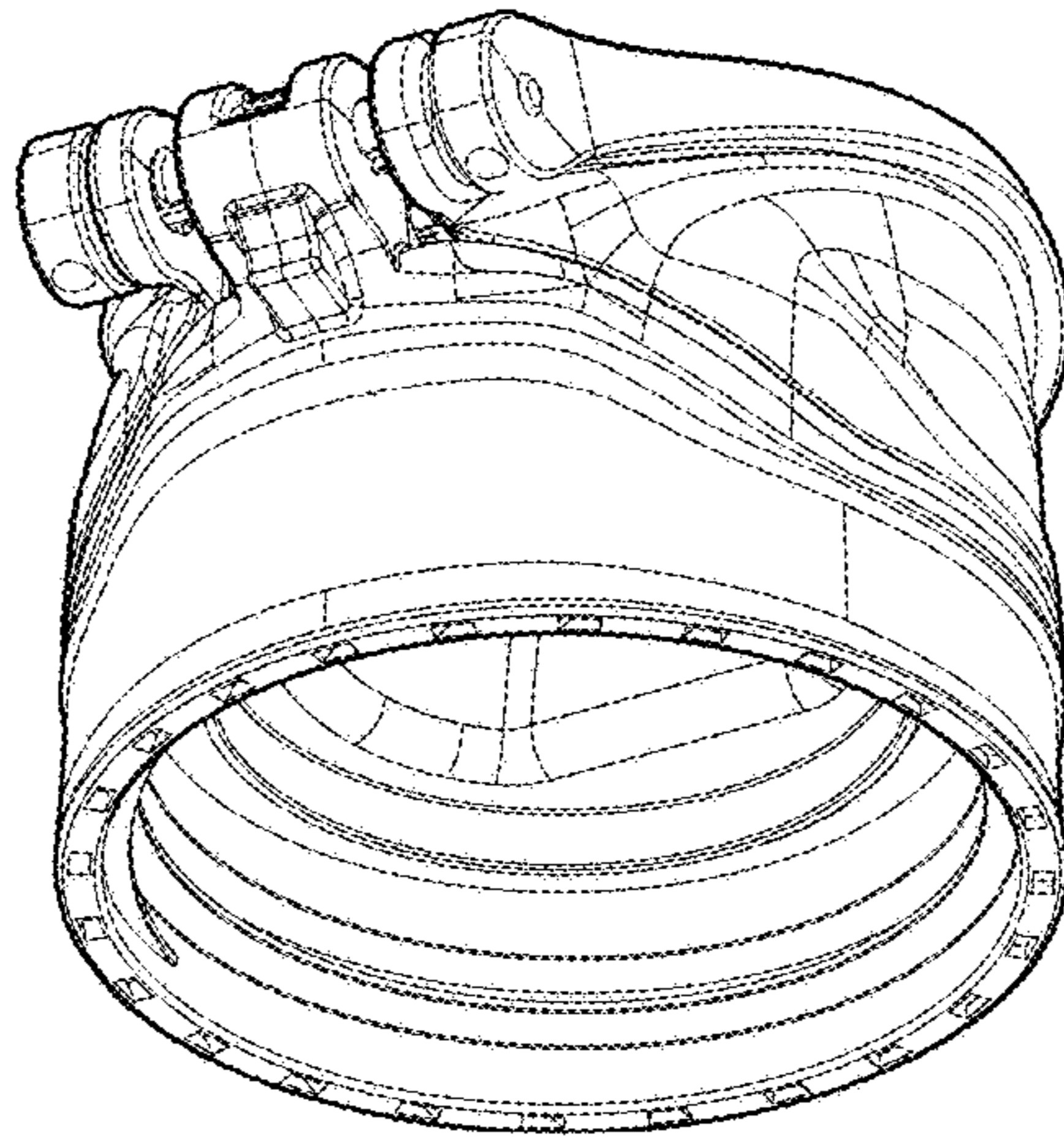


Figure 2

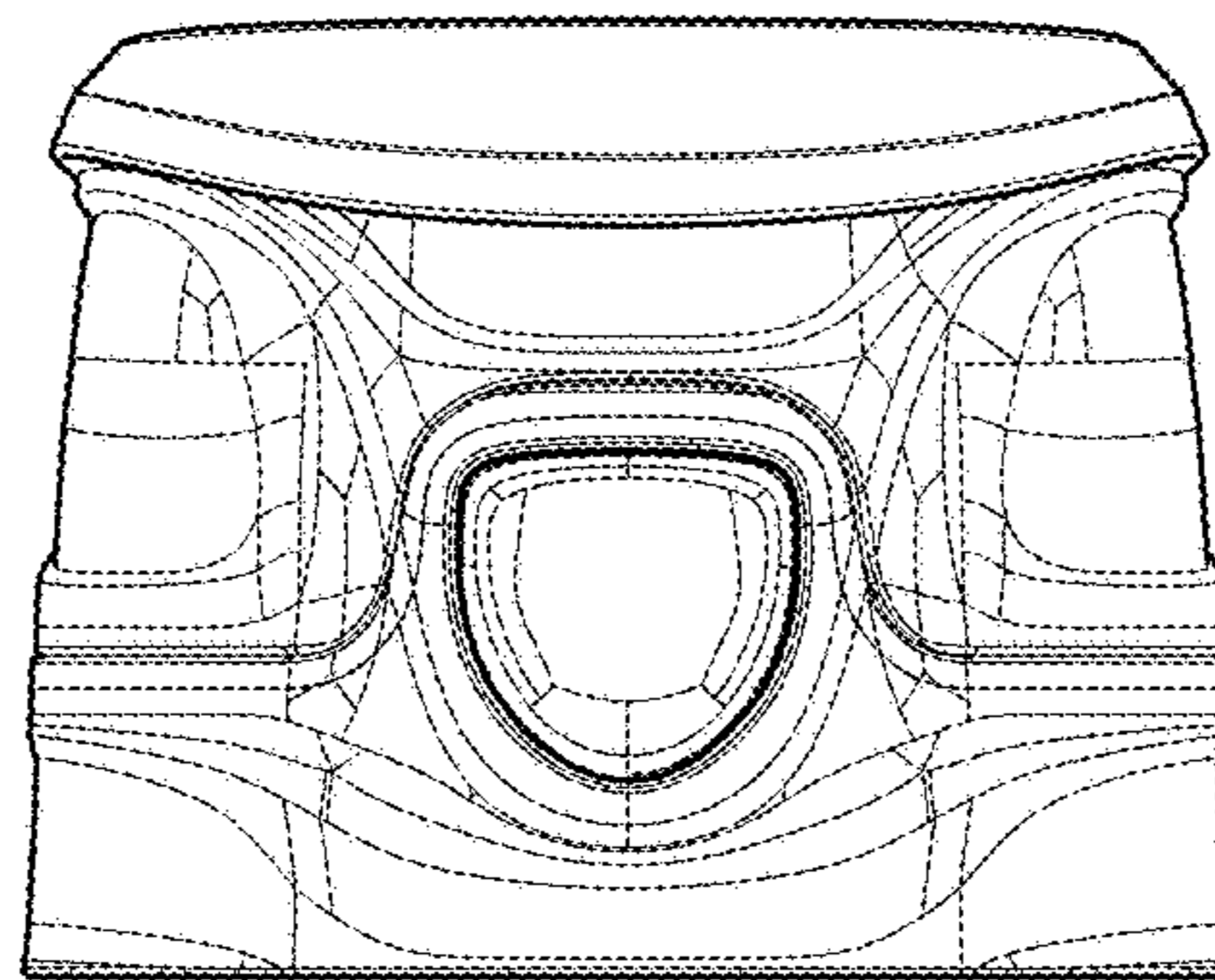


Figure 3

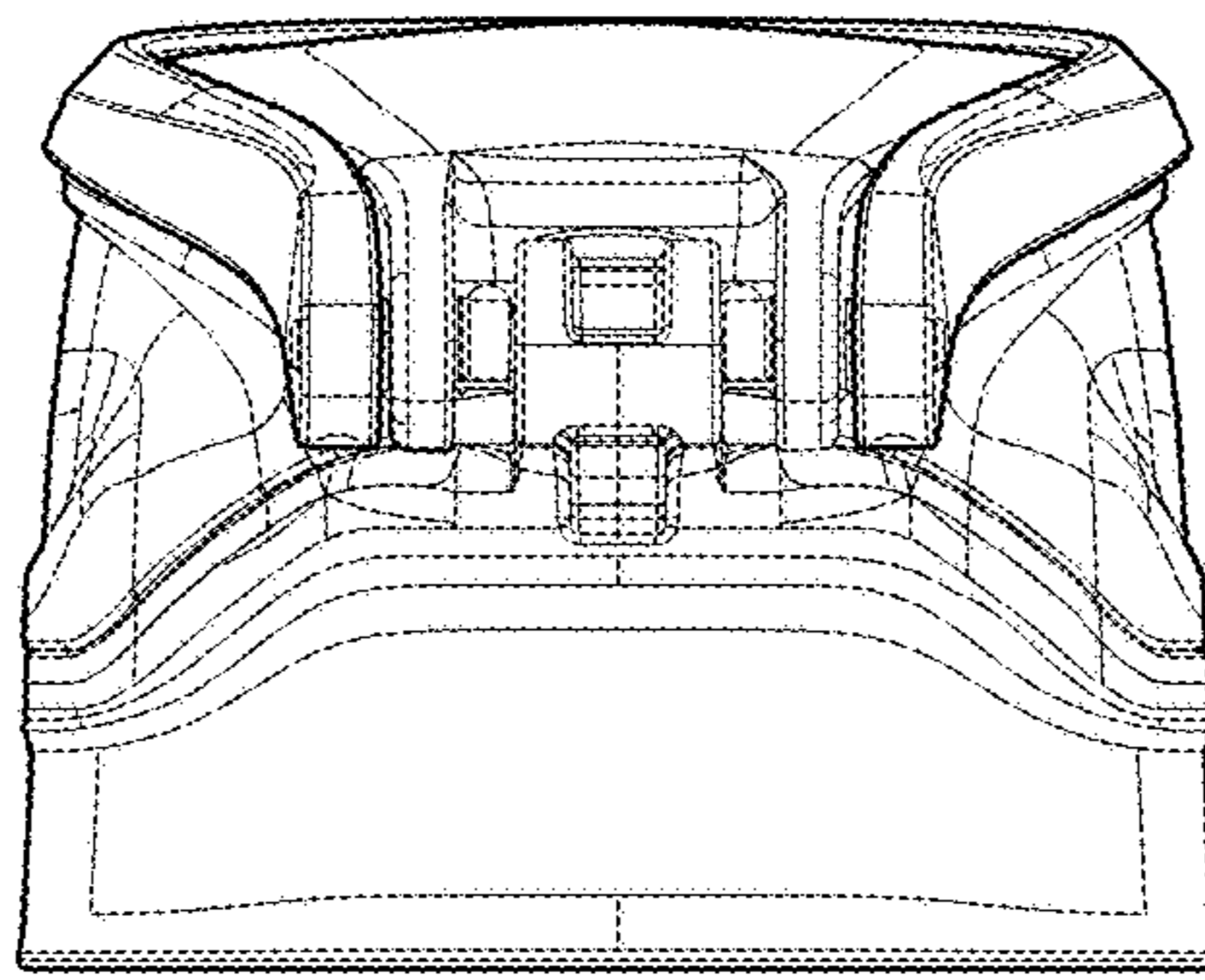


Figure 4

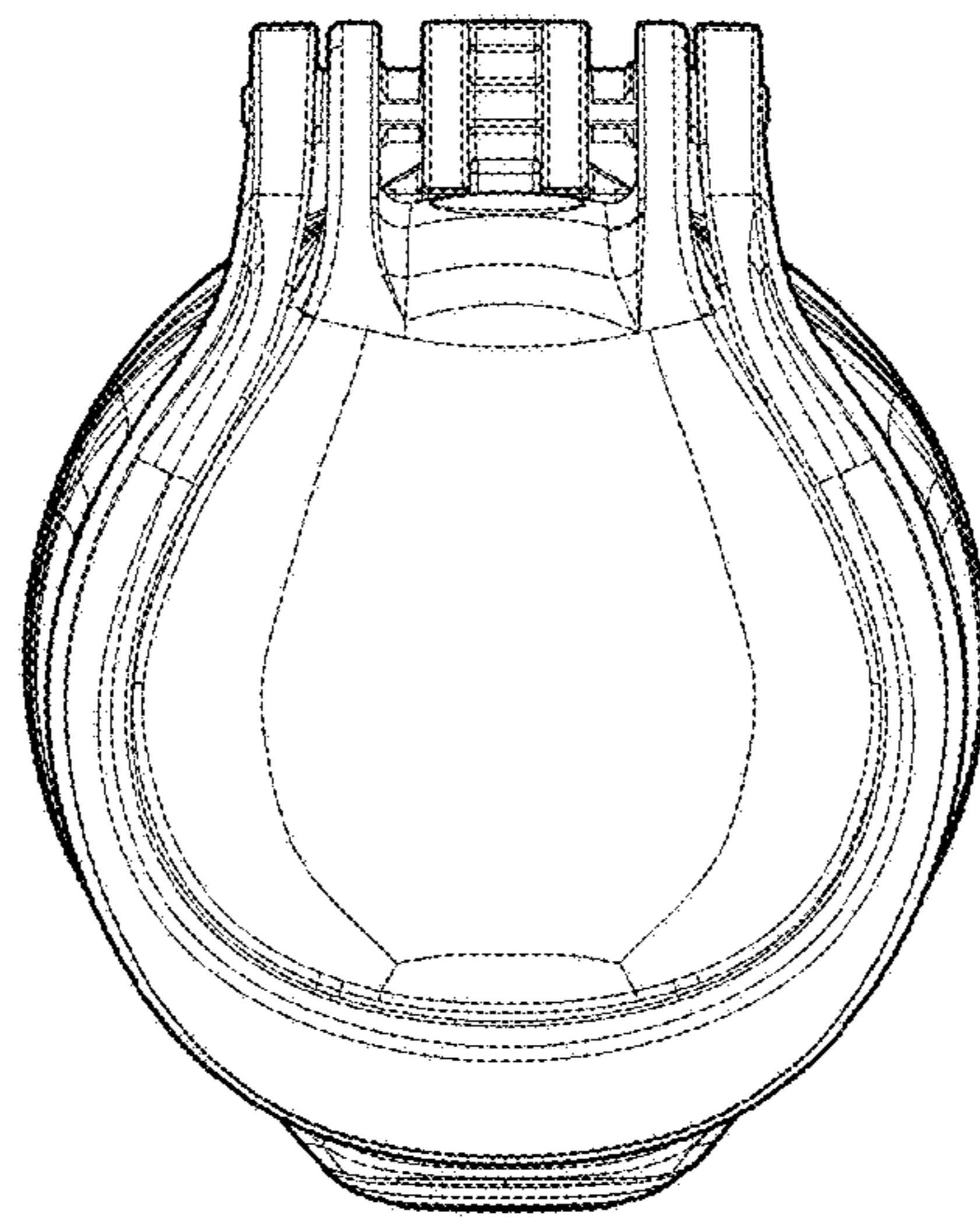


Figure 5

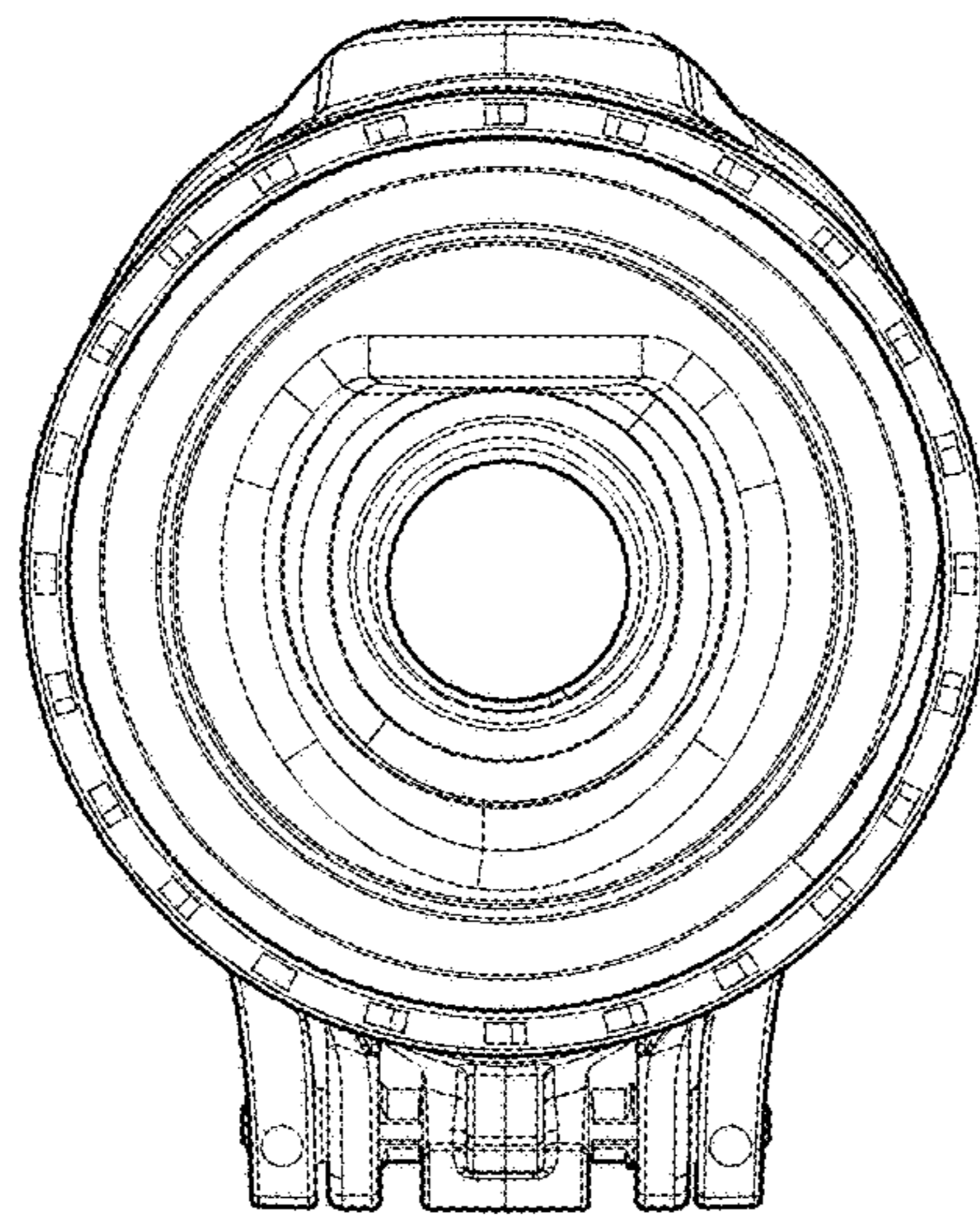


Figure 6

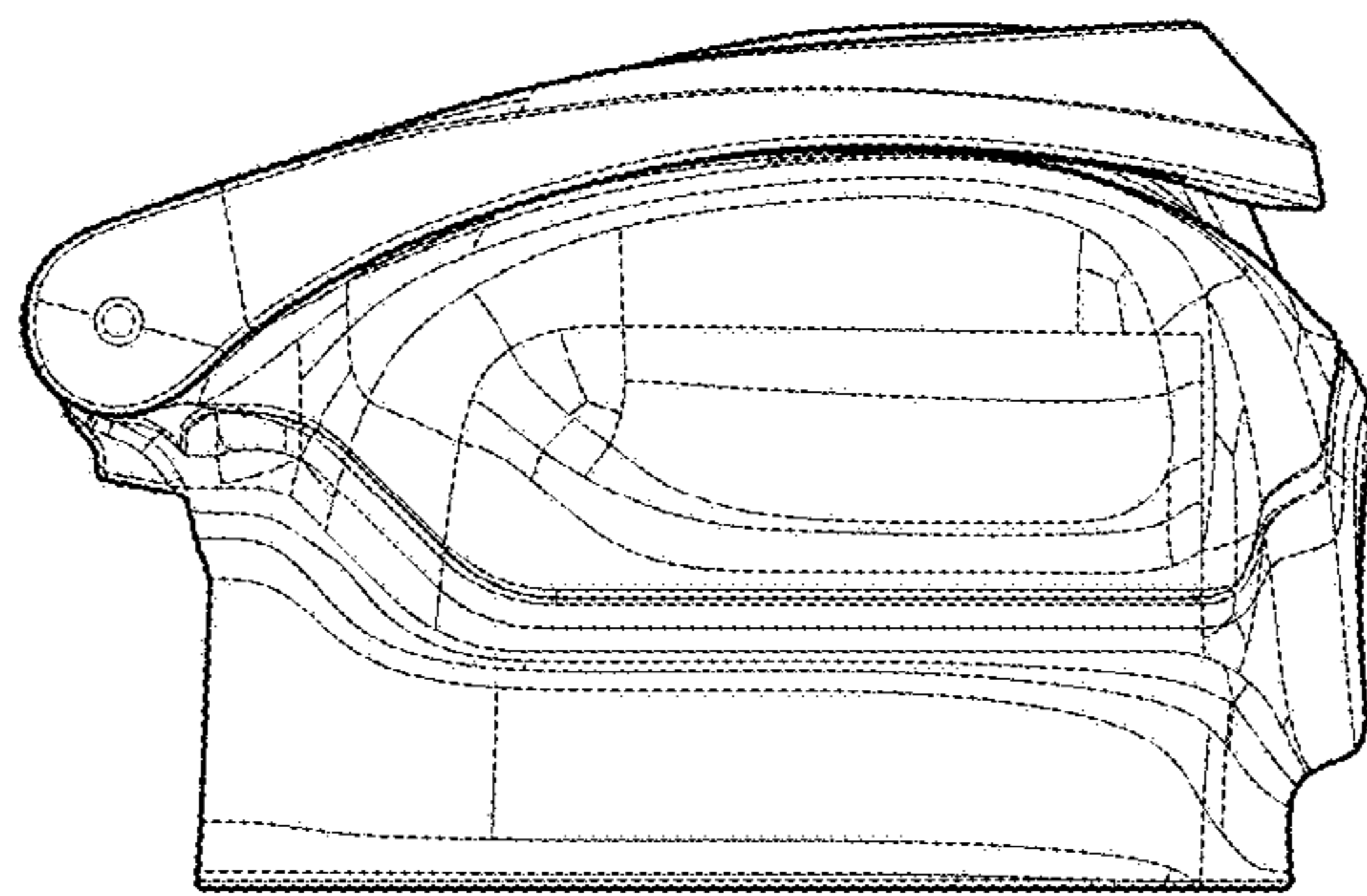


Figure 7

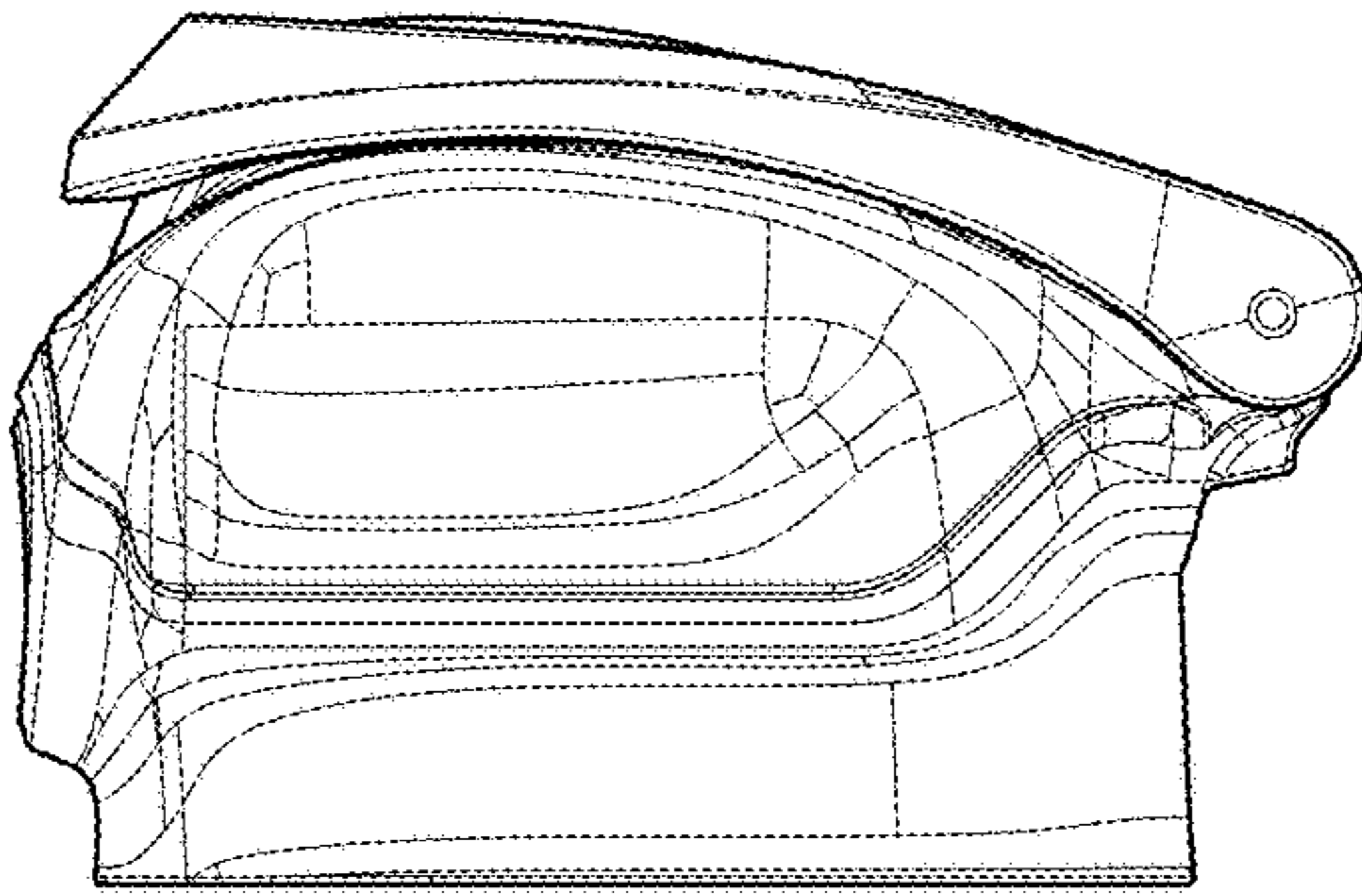


Figure 8

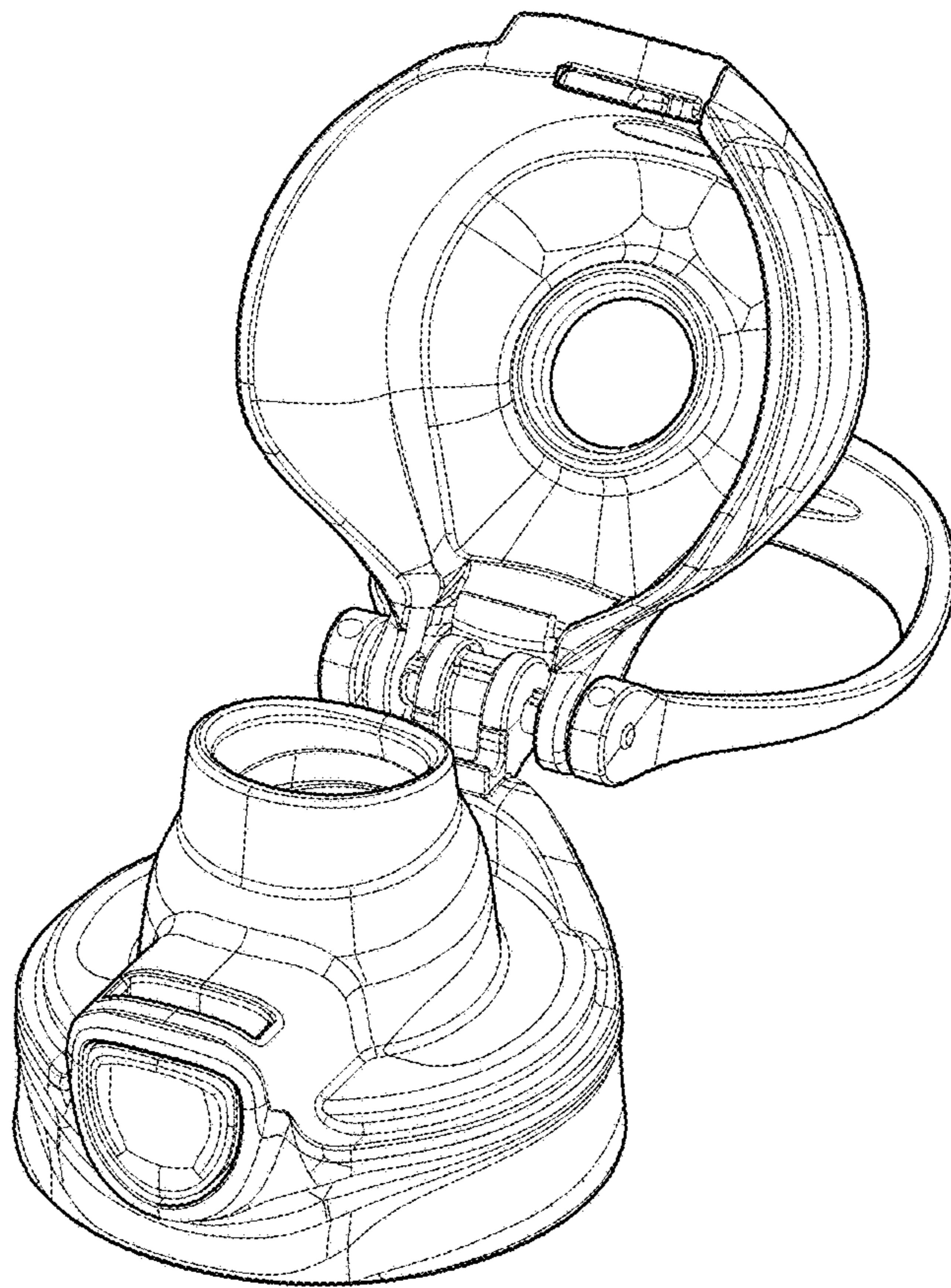


Figure 9

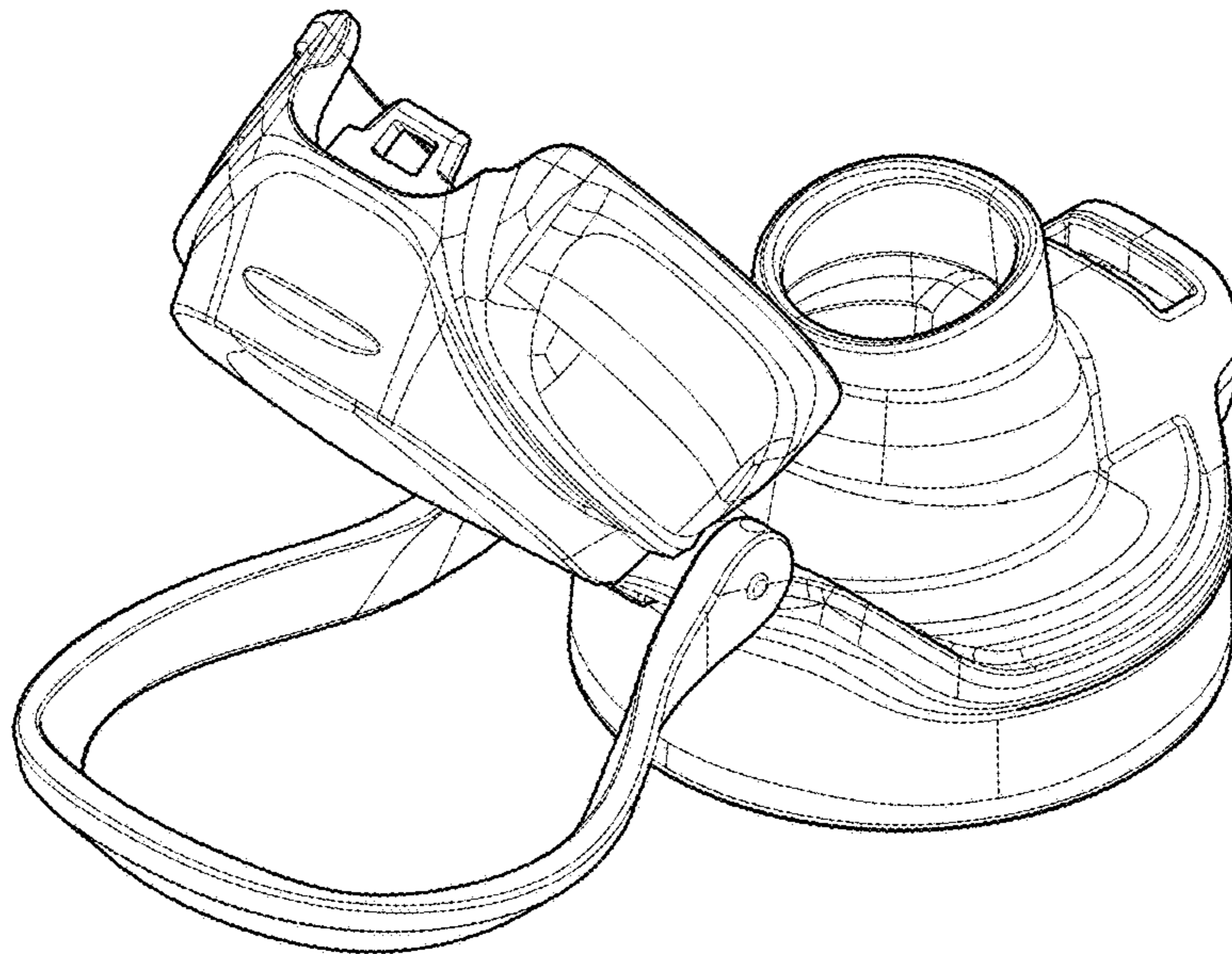


Figure 10