



US00D839043S

(12) **United States Design Patent**
Boroski

(10) **Patent No.:** **US D839,043 S**

(45) **Date of Patent:** **** Jan. 29, 2019**

(54) **LID WITH RAISABLE HANDLE**

- (71) Applicant: **THERMOS L.L.C.**, Schaumburg, IL (US)
- (72) Inventor: **Dwayne Boroski**, Lake in the Hills, IL (US)
- (73) Assignee: **Thermos L.L.C.**, Schaumburg, IL (US)
- (**) Term: **15 Years**
- (21) Appl. No.: **29/556,557**
- (22) Filed: **Mar. 1, 2016**
- (51) **LOC (11) Cl.** **07-01**
- (52) **U.S. Cl.**
USPC **D7/391**
- (58) **Field of Classification Search**
USPC D3/272, 273, 274-276, 279, 282;
D7/300, 306, 325, 387, 392, 392.1, 391,
D7/393, 396.2, 396.3, 396.4, 401.1, 507,
D7/509-511, 538, 558, 605, 608, 900;
D9/434-447, 449, 504, 780, 414,
D9/424-432, 451-452, 516
CPC A47J 41/00; A47J 36/06; A47G 21/18;
B65D 43/04; B65D 39/08; B65D 43/022;
B65D 43/021; B65D 47/122
See application file for complete search history.

(56) **References Cited**

U.S. PATENT DOCUMENTS

D157,363 S	*	2/1950	Frankel	D7/391
D160,649 S	*	10/1950	Muller-Munk	D7/391
D323,764 S	*	2/1992	Sautour	D7/393
D332,379 S	*	1/1993	Murphy	D7/391
D333,065 S	*	2/1993	Murphy	D7/391
D337,232 S	*	7/1993	Kahl	D7/605
D346,299 S	*	4/1994	Covault	D7/300
D374,793 S	*	10/1996	Eickel	D7/387

(Continued)

OTHER PUBLICATIONS

U.S. Appl. No. 29/598,616 Office Action dated Apr. 9, 2018 (8 pages).

(Continued)

Primary Examiner — Jennifer Rivard

Assistant Examiner — Catherine S Posthauer

(74) *Attorney, Agent, or Firm* — Polsinelli PC

(57) **CLAIM**

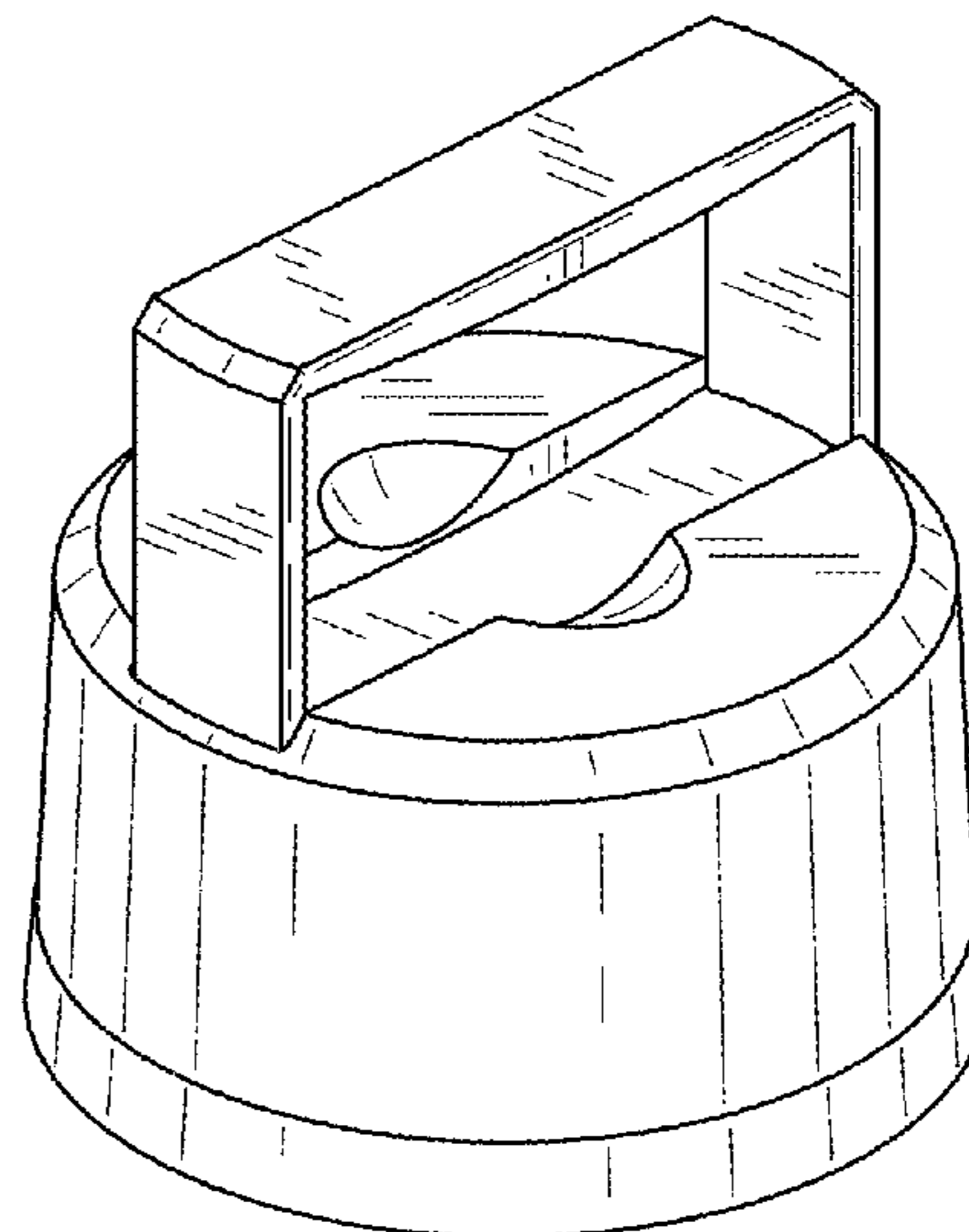
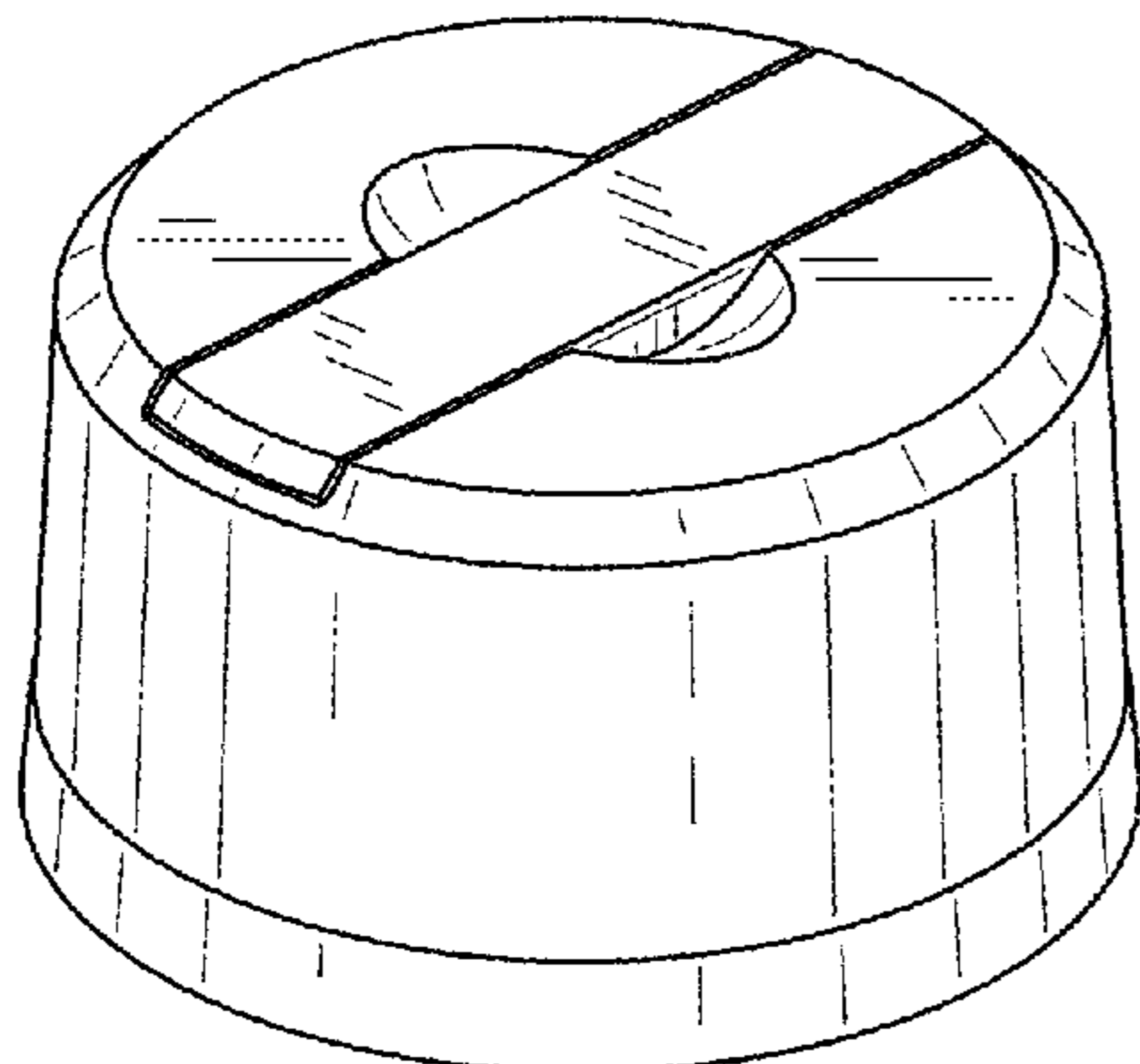
The ornamental design for a lid with raisable handle, as shown and described.

DESCRIPTION

FIG. 1 is a perspective view of the lid with raisable handle; FIG. 2 is a front view of the lid with raisable handle; FIG. 3 is a right side view of the lid with raisable handle; FIG. 4 is a left side view of the lid with raisable handle; FIG. 5 is a rear view of the lid with raisable handle; FIG. 6 is a top view of the lid with raisable handle; FIG. 7 is a bottom view of the lid with raisable handle; FIG. 8 is a perspective view of the lid with raisable handle with the handle raised; FIG. 9 is a front view of the lid with raisable handle with the handle raised; FIG. 10 is a right side view of the lid with raisable handle with the handle raised; FIG. 11 is a left side view of the lid with raisable handle with the handle raised; FIG. 12 is a rear view of the lid with raisable handle with the handle raised; FIG. 13 is a top view of the lid with raisable handle with the handle raised; and, FIG. 14 is a bottom view of the lid with raisable handle with the handle raised.

The broken lines showing the inside of the lid with raisable handle depict portions of the article that form no part of the claimed design.

1 Claim, 8 Drawing Sheets



(56)

References Cited

U.S. PATENT DOCUMENTS

D394,184 S * 5/1998 Demore D7/391
 D456,669 S * 5/2002 Munari D7/392.1
 D458,134 S * 6/2002 Berish D9/443
 D479,800 S * 9/2003 McRae D9/443
 D491,771 S * 6/2004 Greiner D7/391
 D526,827 S * 8/2006 Allen D7/306
 D543,358 S * 5/2007 Vasudeva D3/282
 D608,195 S * 1/2010 Germann D9/443
 D641,206 S * 7/2011 Heiberg D7/378
 D661,160 S * 6/2012 Shah D7/538
 8,215,511 B1 * 7/2012 Lin B65D 39/08
 215/228
 D679,595 S * 4/2013 Stull, Sr. D9/452
 D684,813 S * 6/2013 Eyal D7/392
 8,672,174 B1 * 3/2014 McMullin A47G 21/18
 215/229
 D715,590 S * 10/2014 Mangano D7/354
 D731,183 S * 6/2015 Kuhls D3/282
 D749,948 S * 2/2016 Groglopo Favetto D9/443

D758,122 S * 6/2016 Simpson B65D 43/0212
 D7/325
 D758,859 S * 6/2016 Sorensen D7/393
 D760,586 S * 7/2016 Seiders D7/392.1
 D762,977 S * 8/2016 Xu D3/279
 D764,916 S * 8/2016 Mount, III D9/443
 D773,252 S * 12/2016 Jacobsen D7/605
 D780,577 S * 3/2017 Seiders D7/392.1
 D781,145 S * 3/2017 Seiders D7/392.1
 D781,146 S * 3/2017 Seiders D7/392.1
 D788,544 S * 6/2017 Seiders D7/608
 D790,285 S * 6/2017 Seiders D7/608
 D795,008 S * 8/2017 Eyal D7/392.1
 D807,111 S * 1/2018 Sorensen D7/391
 2011/0186585 A1 * 8/2011 Lu A47J 41/00
 220/575

OTHER PUBLICATIONS

U.S. Appl. No. 29/598,616 for "LID"; filed Mar. 27, 2017 (27 pages).

* cited by examiner

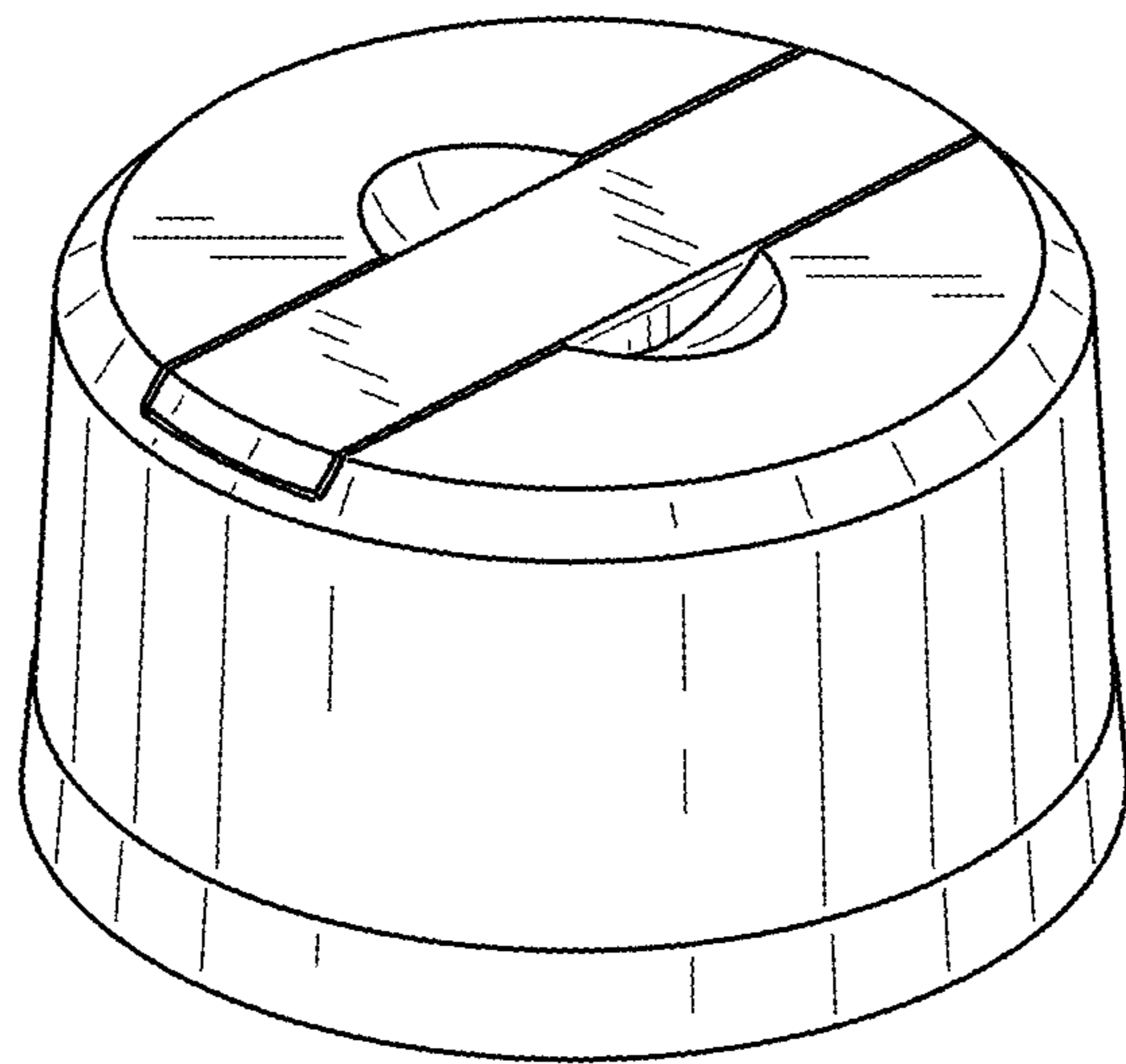


FIG. 1

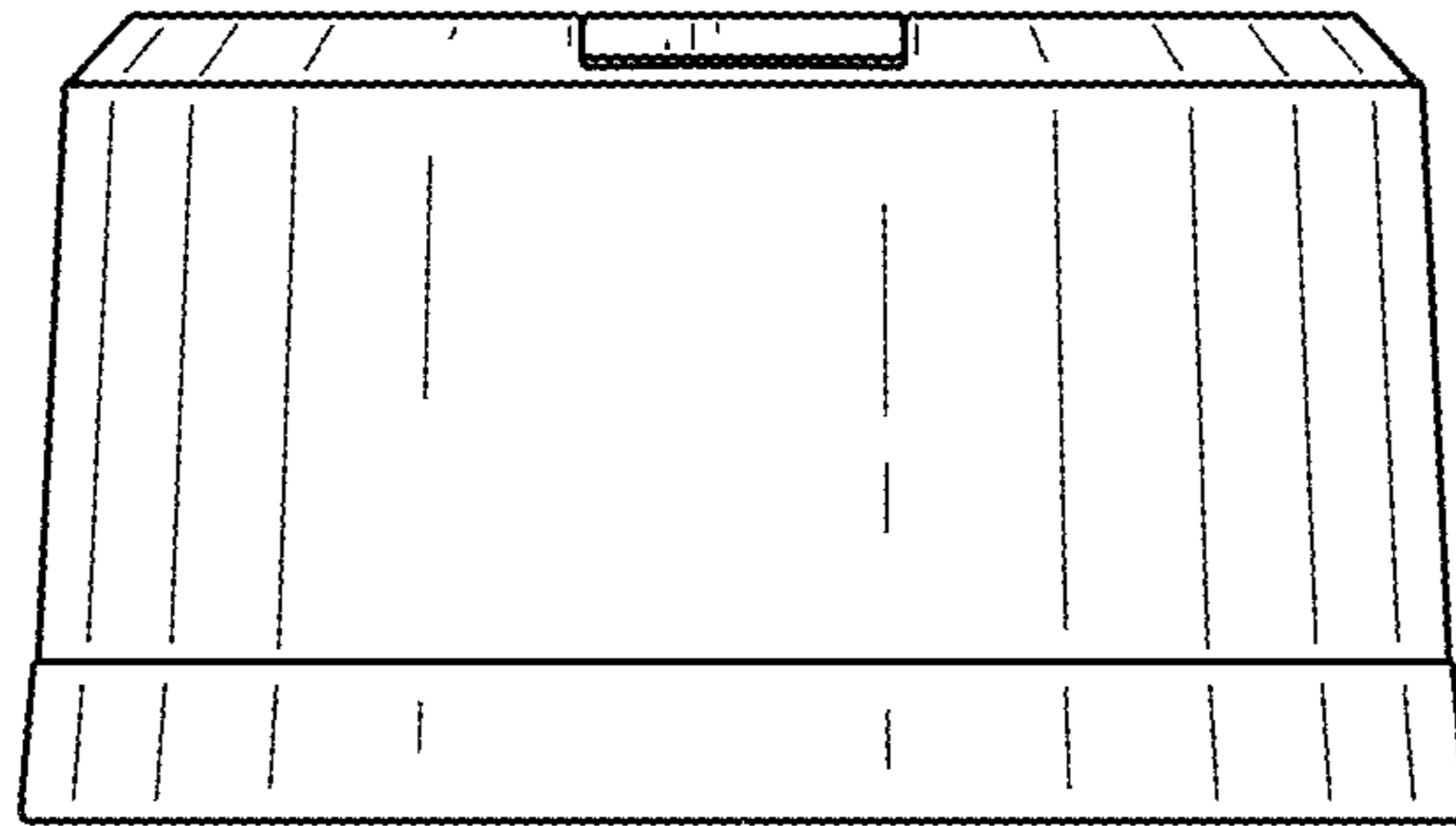


FIG. 2

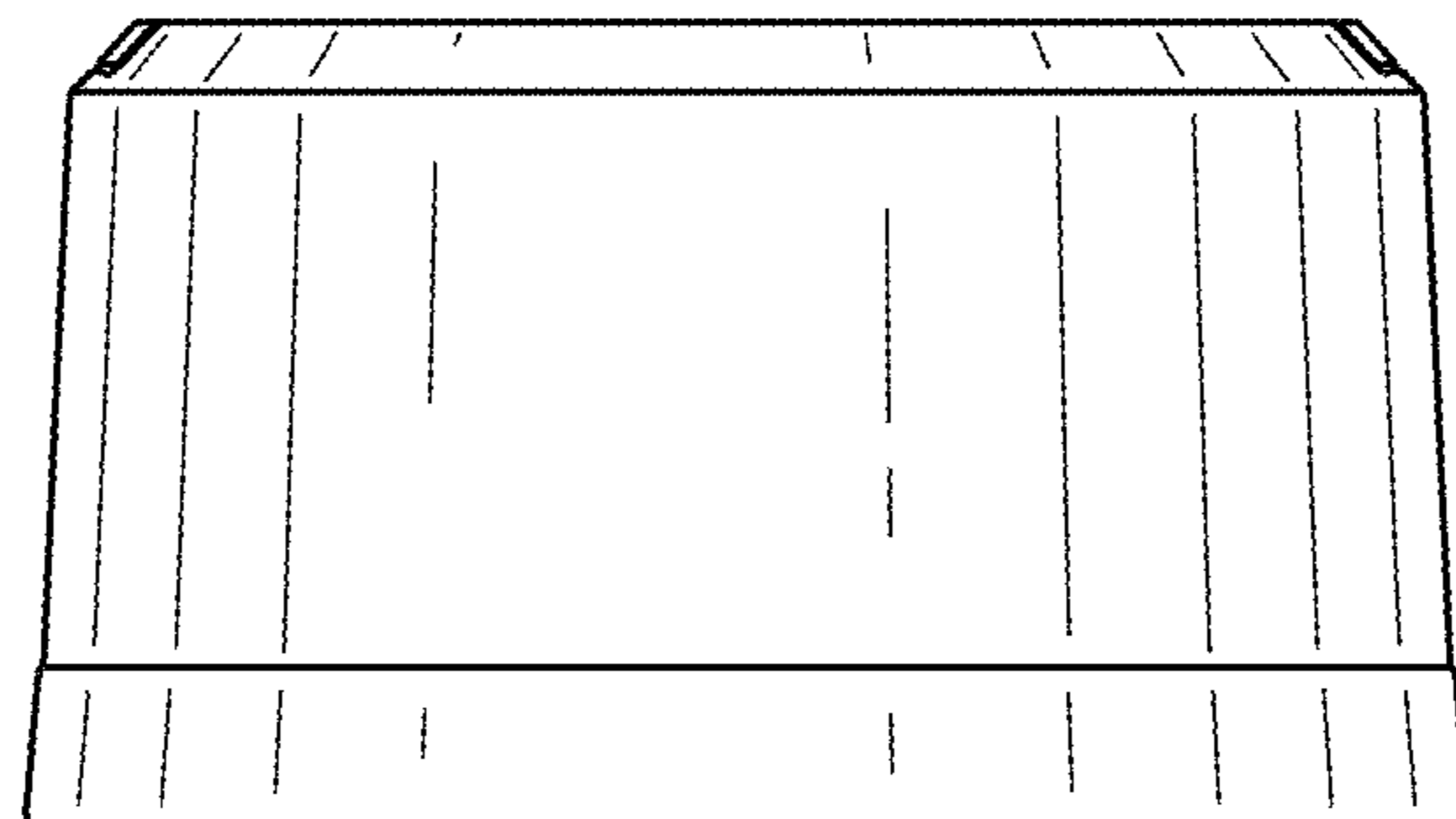


FIG. 3

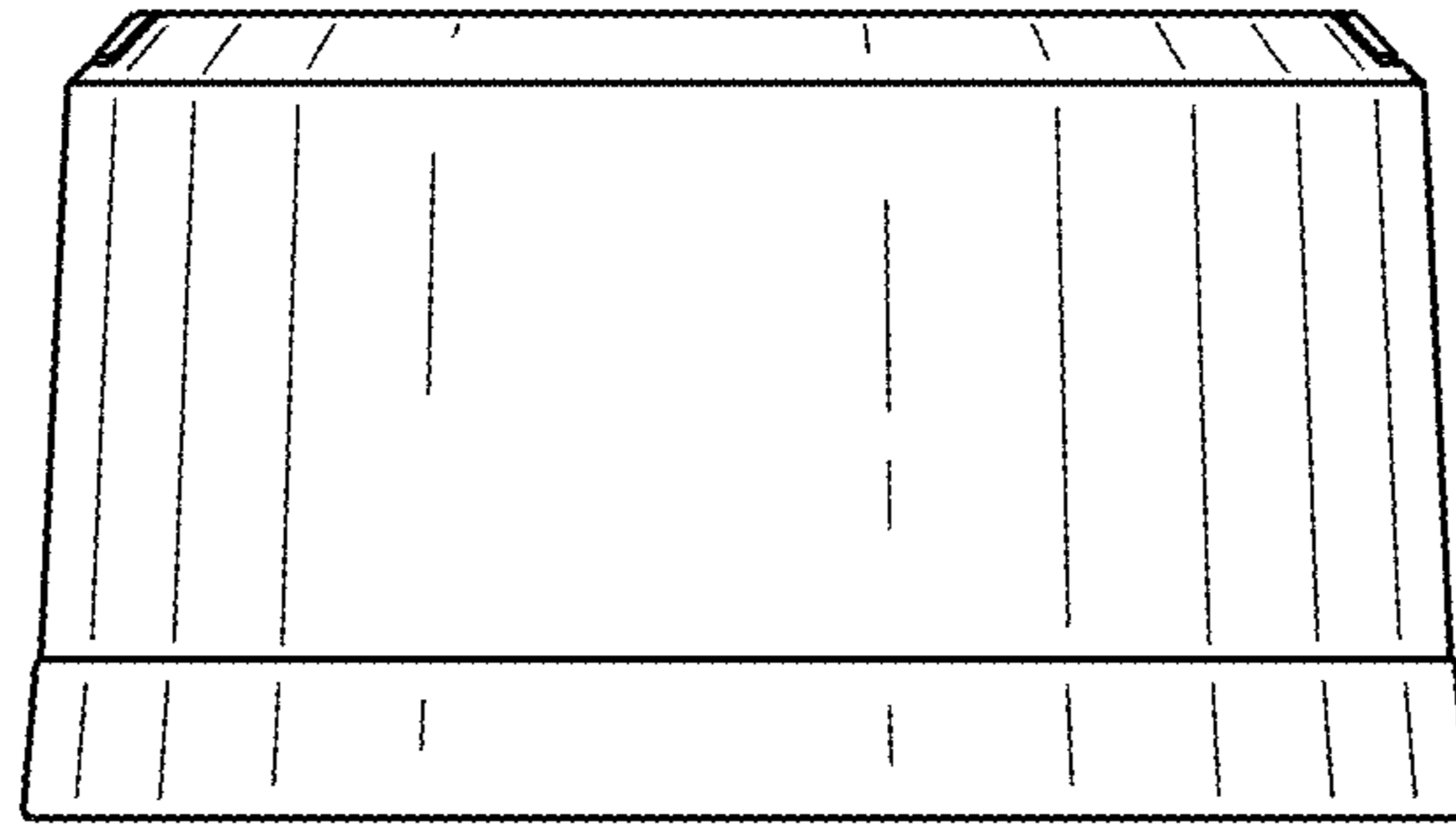


FIG. 4

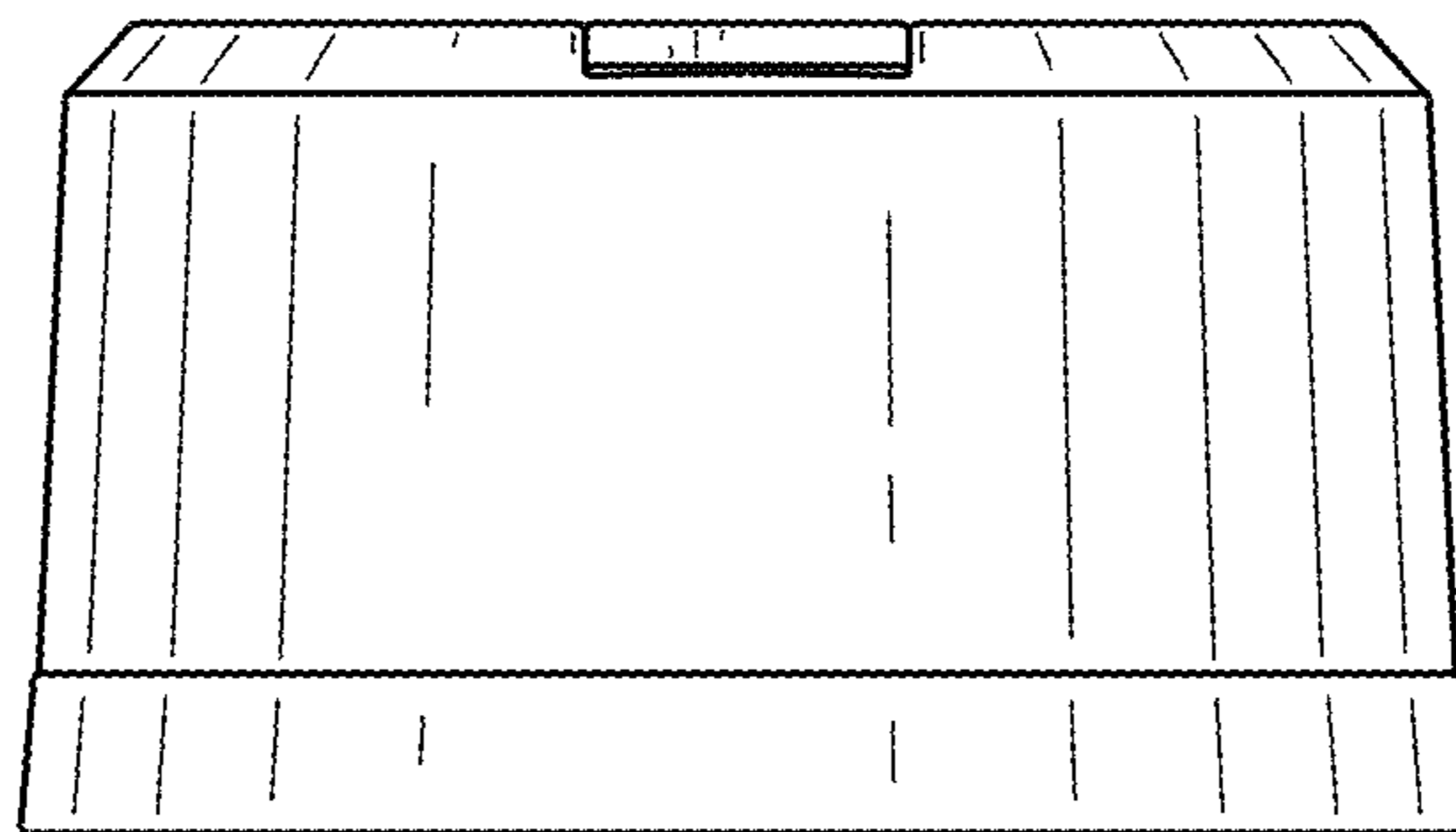


FIG. 5

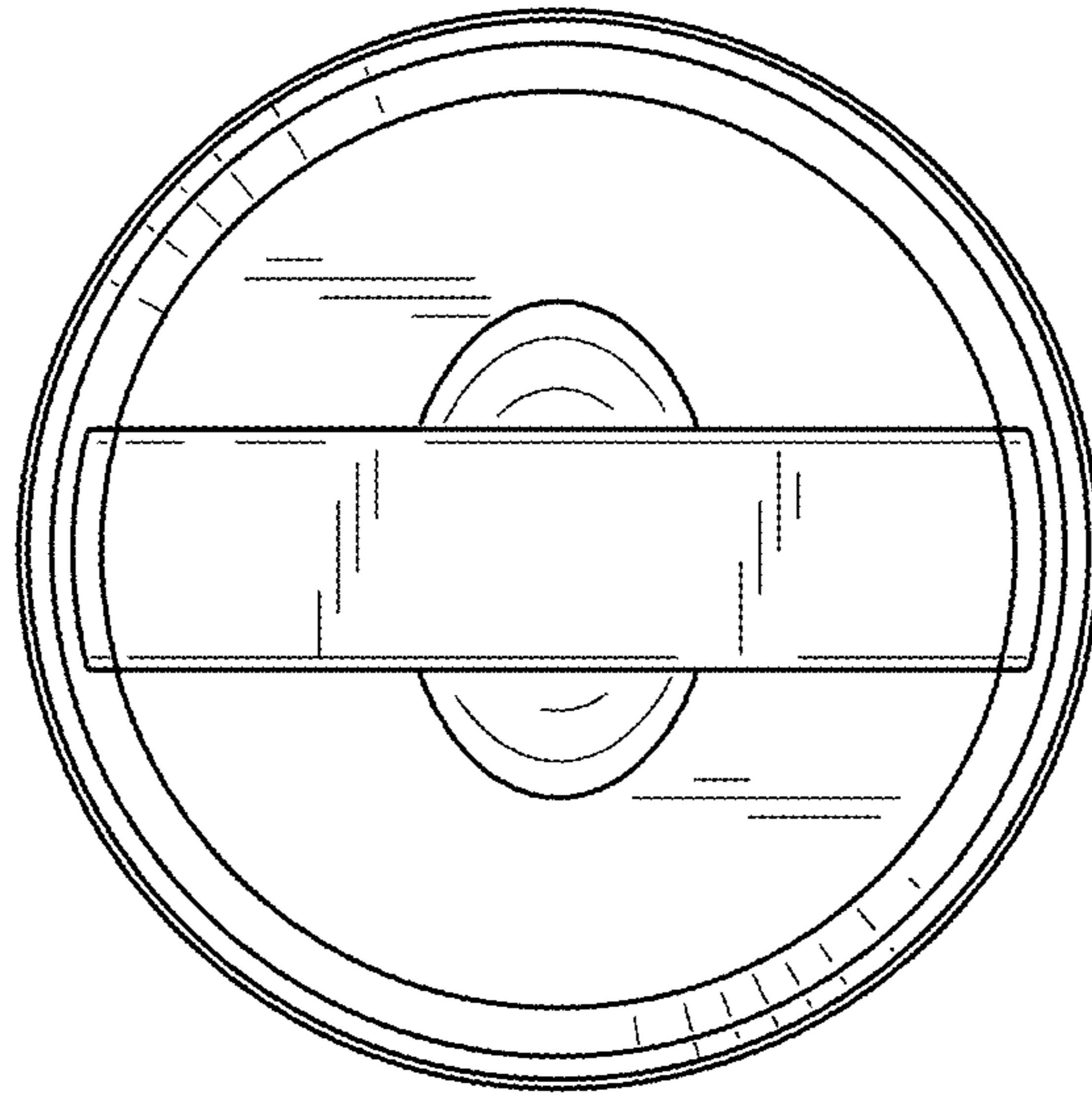


FIG. 6

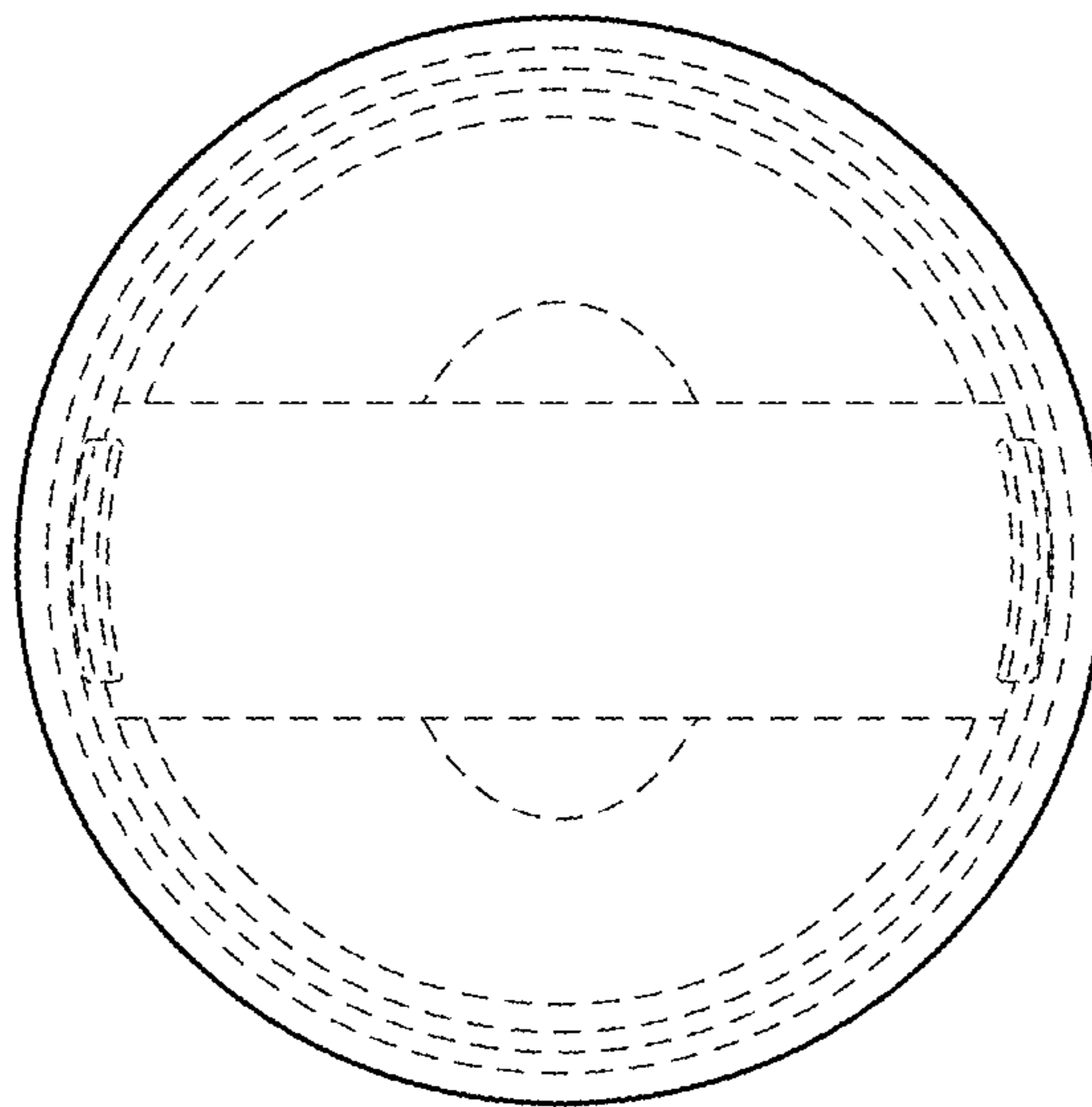


FIG. 7

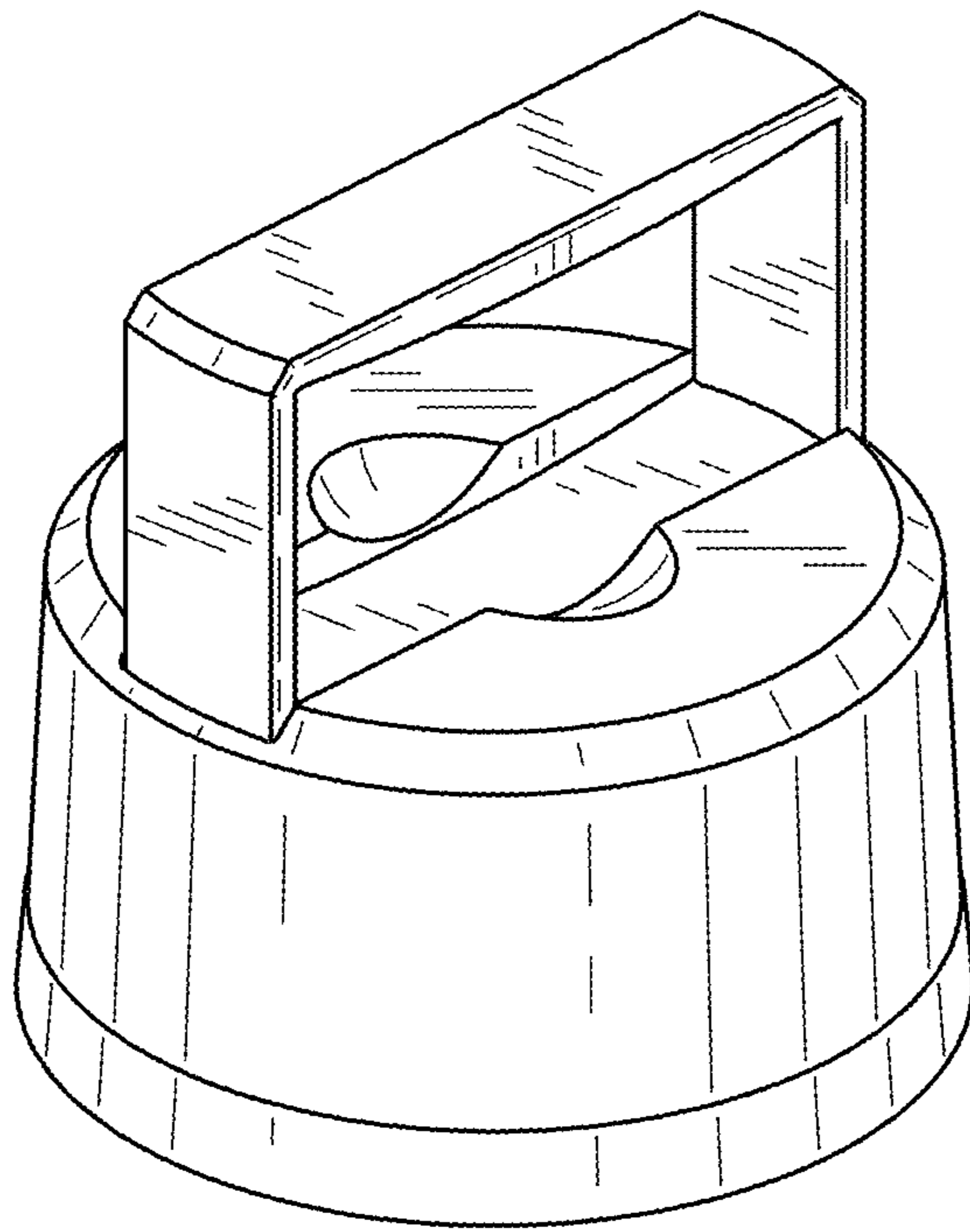


FIG. 8

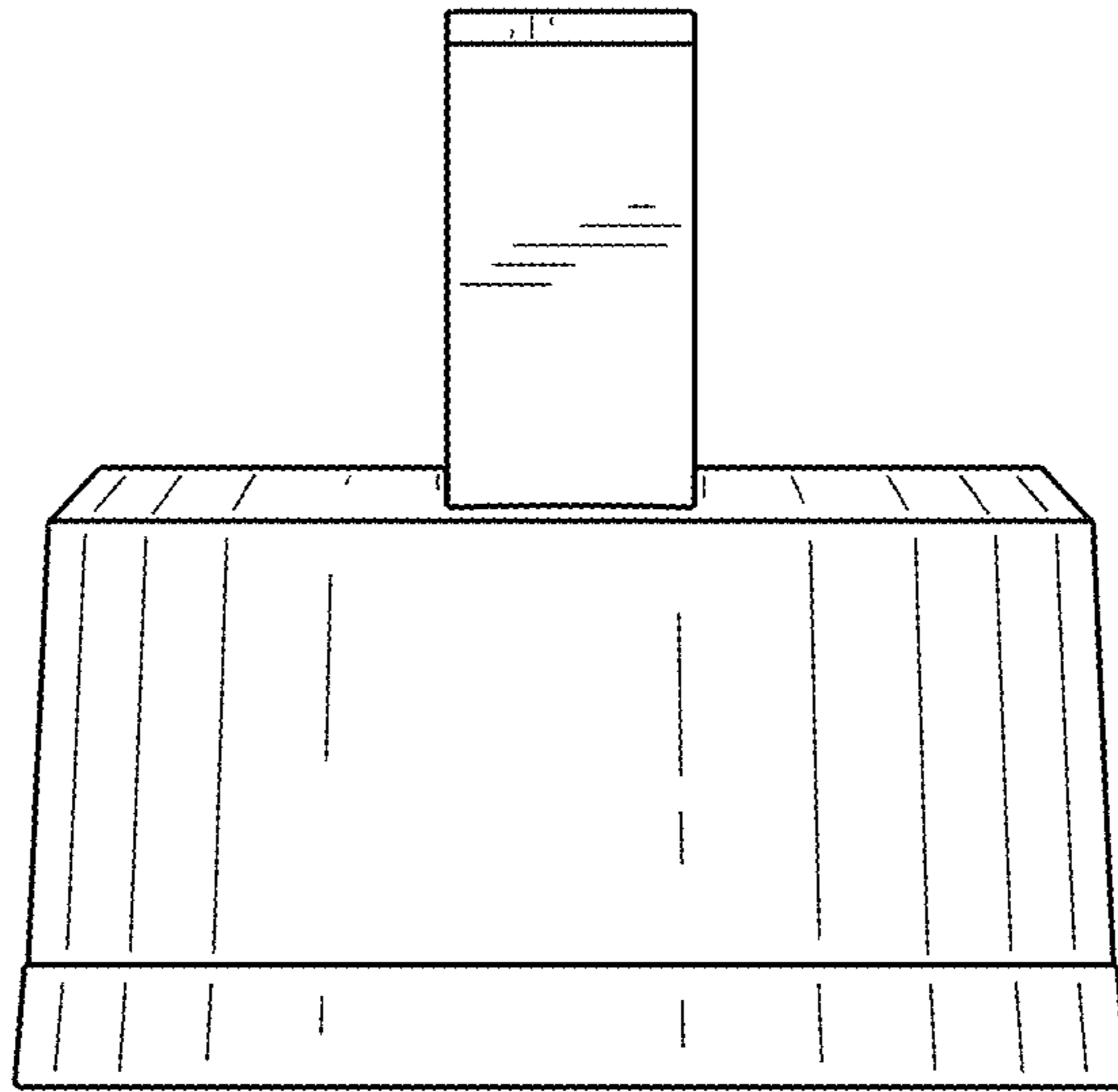


FIG. 9

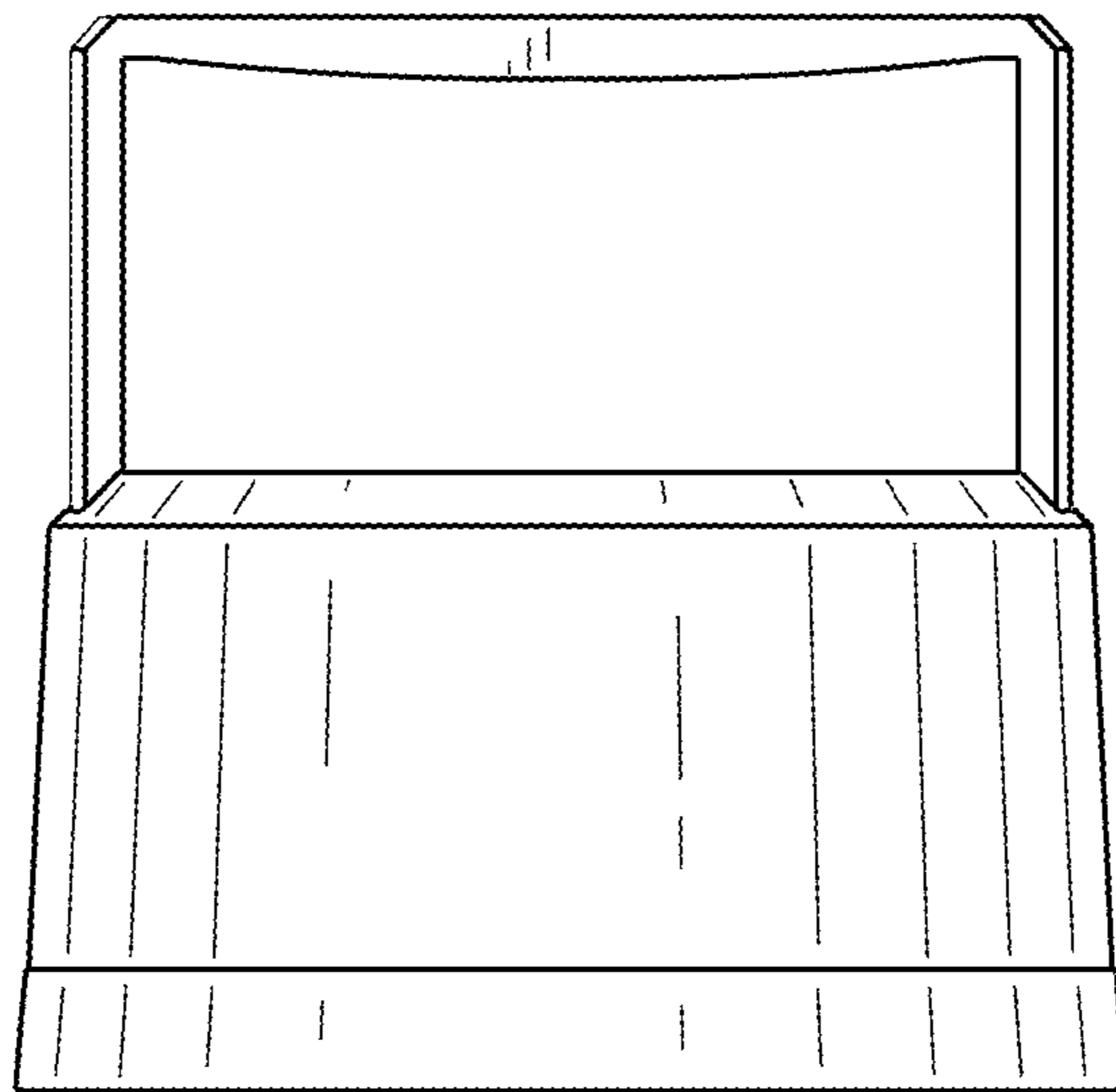


FIG. 10

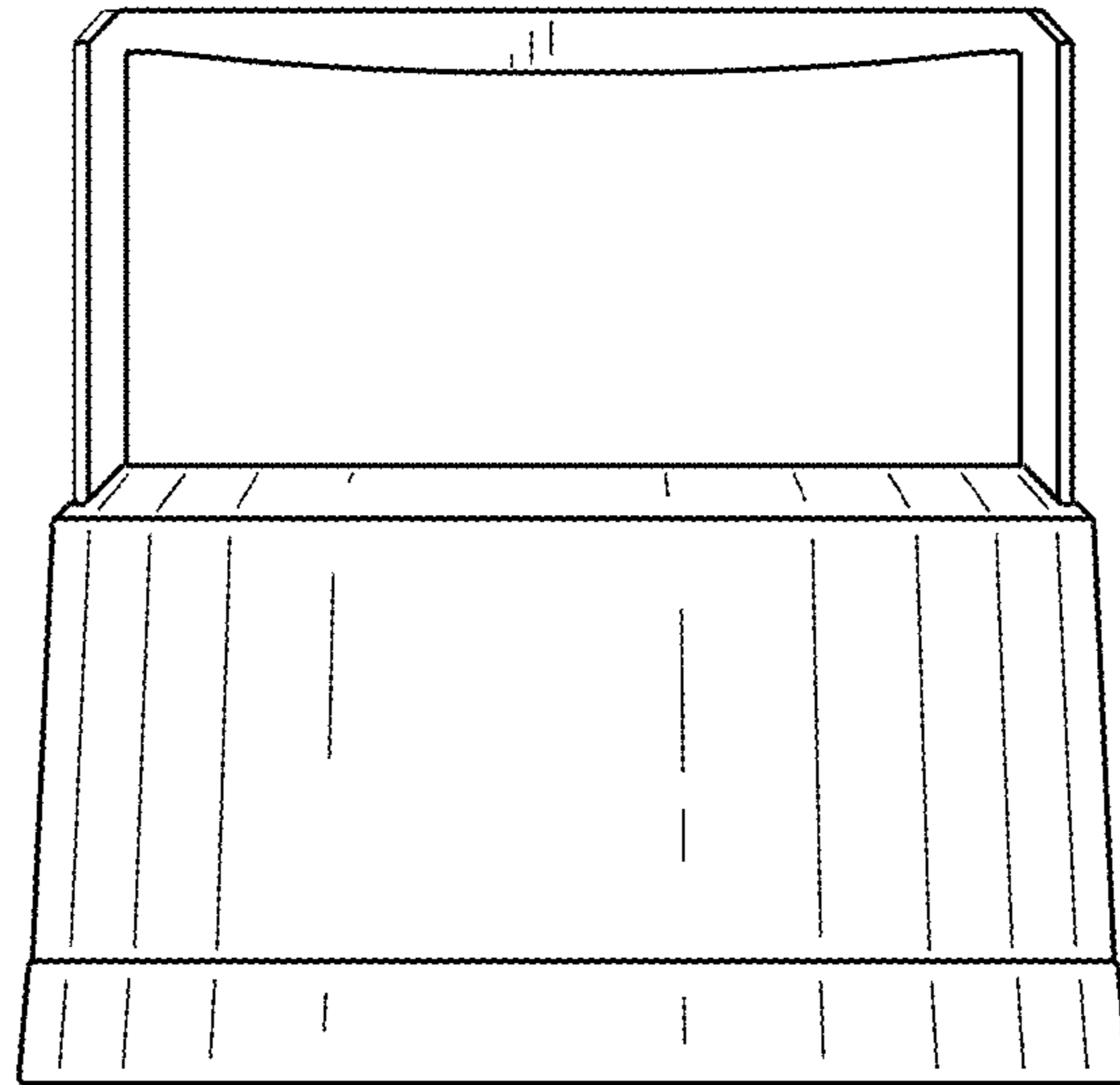


FIG. 11

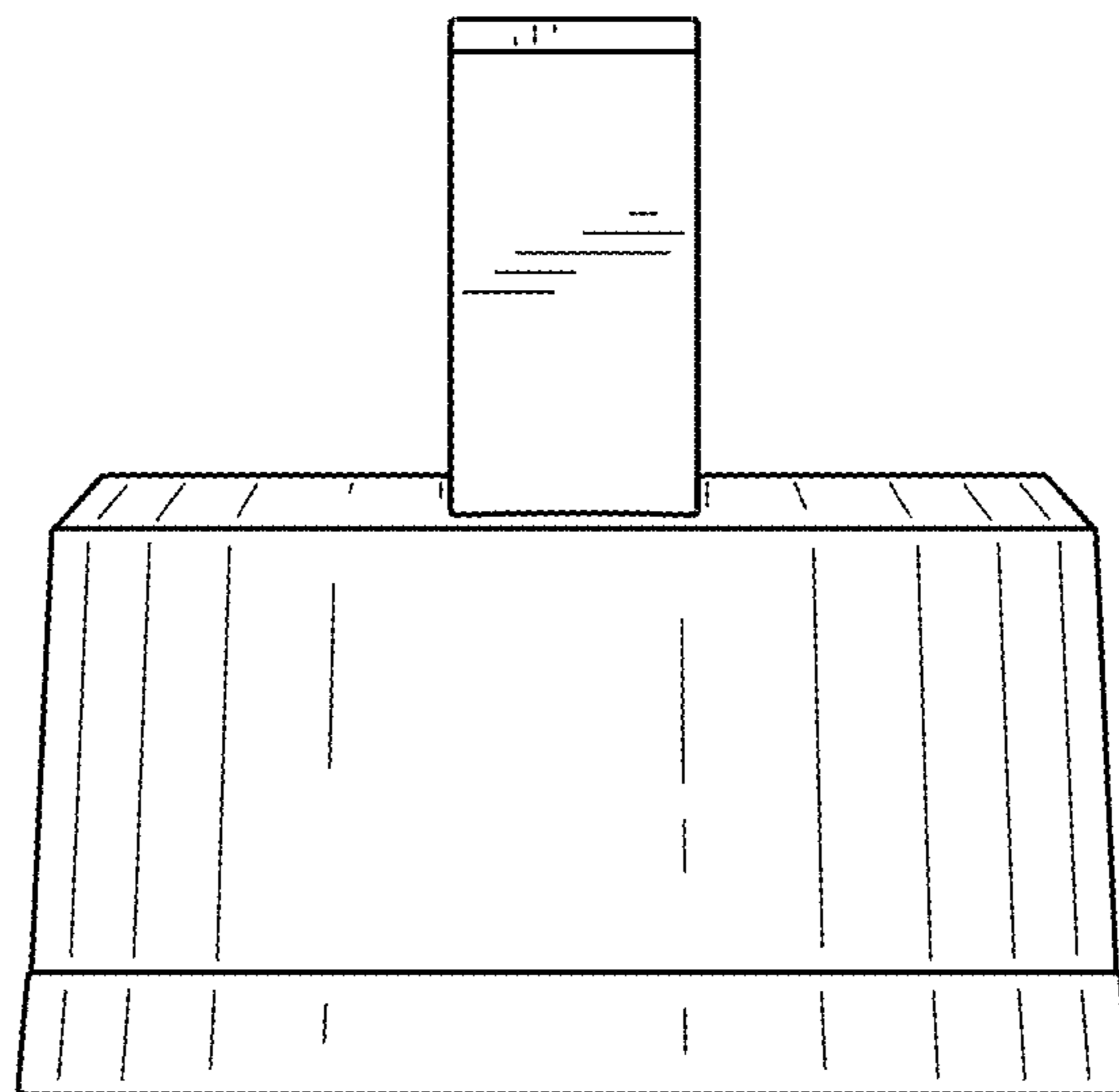


FIG. 12

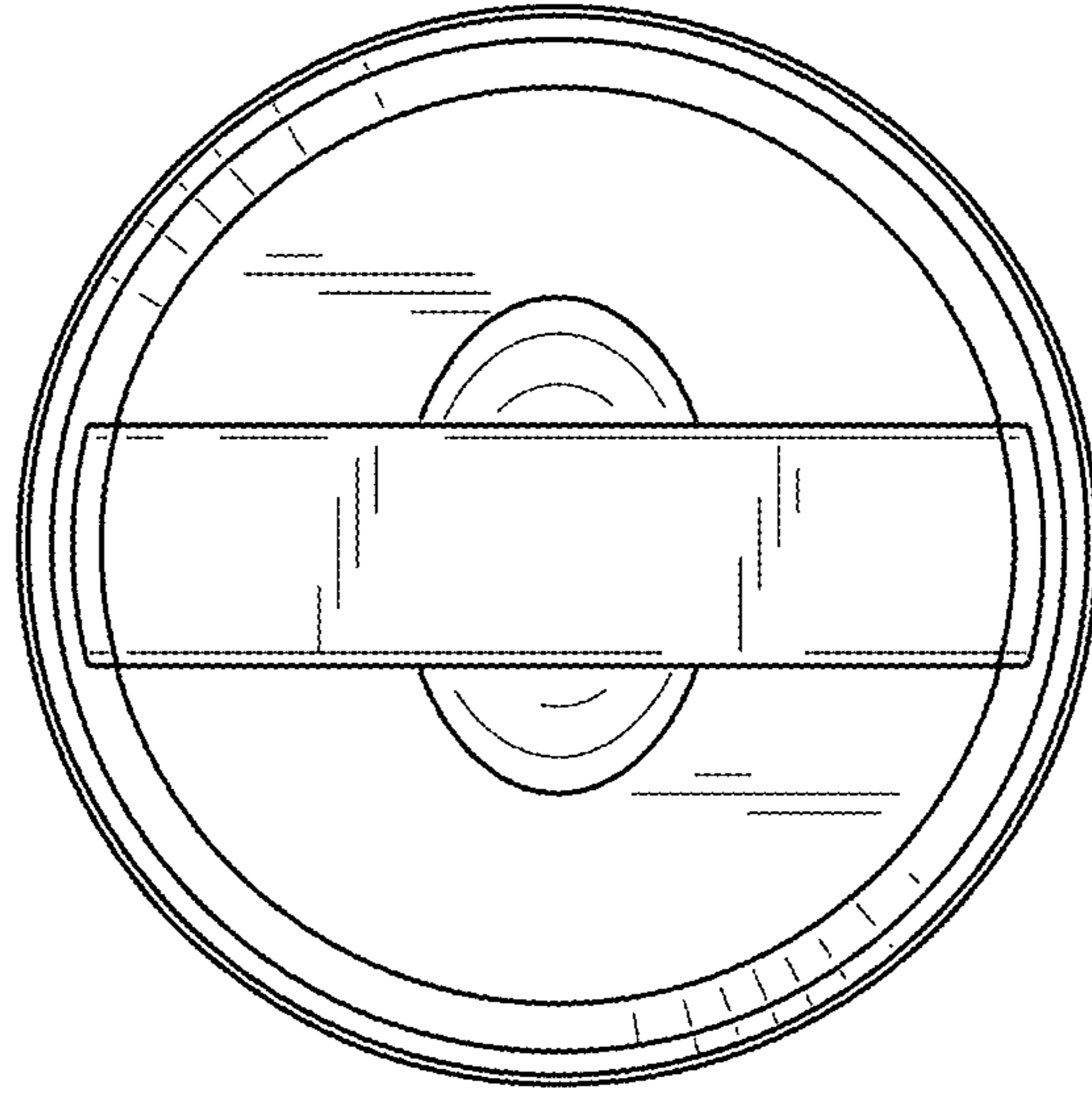


FIG. 13

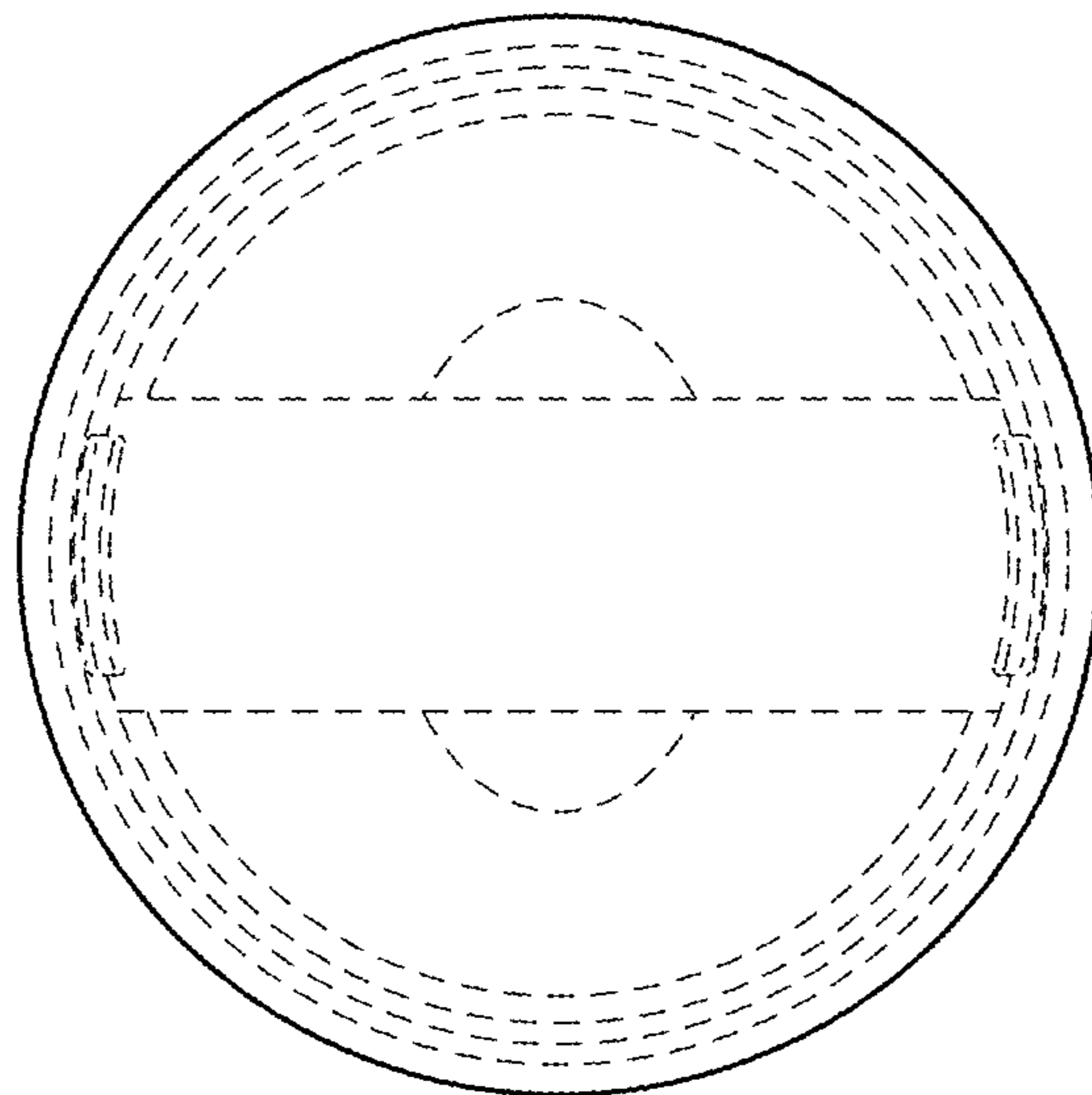


FIG. 14