



US00D839042S

(12) **United States Design Patent** (10) **Patent No.:** **US D839,042 S**
Krivos et al. (45) **Date of Patent:** **** Jan. 29, 2019**

(54) **BLADE BASE**
(71) Applicant: **VITA-MIX MANAGEMENT CORPORATION**, Olmsted Township, OH (US)
(72) Inventors: **Brenton Krivos**, Brunswick, OH (US); **Todd Cassidy**, Medina, OH (US); **Christian C. Stewart**, Berea, OH (US)
(73) Assignee: **VITA-MIX MANAGEMENT CORPORATION**, Olmsted Township, OH (US)

D427,053 S * 6/2000 Nelson D8/352
D480,915 S 10/2003 Kolar et al.
D524,613 S * 7/2006 Chen D8/21
D545,126 S * 6/2007 White 7/412
D587,526 S 3/2009 Barnard et al.
D588,406 S 3/2009 Ulanski et al.
7,600,706 B2 * 10/2009 Huang A47J 43/0777
241/282.2
D621,656 S 8/2010 Ulanski et al.
D633,356 S * 3/2011 Dircksen D15/139
D635,164 S * 3/2011 Nelson D15/139
D647,789 S * 11/2011 McGowan D8/397
D662,359 S 6/2012 Boozer et al.

(Continued)

(**) Term: **15 Years**
(21) Appl. No.: **29/557,077**
(22) Filed: **Mar. 4, 2016**
(51) **LOC (11) Cl.** **31-00**
(52) **U.S. Cl.**
USPC **D7/378; D7/413**
(58) **Field of Classification Search**
USPC D15/7, 9, 10, 13, 17, 27, 28, 122, 123, D15/124, 125, 126, 127, 128, 129, 138, D15/139, 140, 141, 199; D8/20, 23, 25, D8/41, 47, 54, 55, 58, 61, 64, 66, 70, 86, D8/98, 99, 352, 366, 376, 387, 397; D7/693, 394, 372, 376, 378, 381, 383, D7/384, 385, 412; D9/767, 768, 772, D9/782
CPC B25D 3/00; B25D 17/02; B25D 2250/111; B25D 2211/003; B25D 16/00; E21B 10/52; E21B 10/16; E21B 10/567; C03B 23/047; C03B 23/0496
See application file for complete search history.

OTHER PUBLICATIONS

<https://www.amazon.com/dp/B00KDLMF3Q>—Listed on May 16, 2014.*

(Continued)

Primary Examiner — Manpreet S Matharu
Assistant Examiner — Mojtaba Tehrani
(74) *Attorney, Agent, or Firm* — McDonald Hopkins LLC

(57) **CLAIM**

The ornamental design for a blade base, as shown and described.

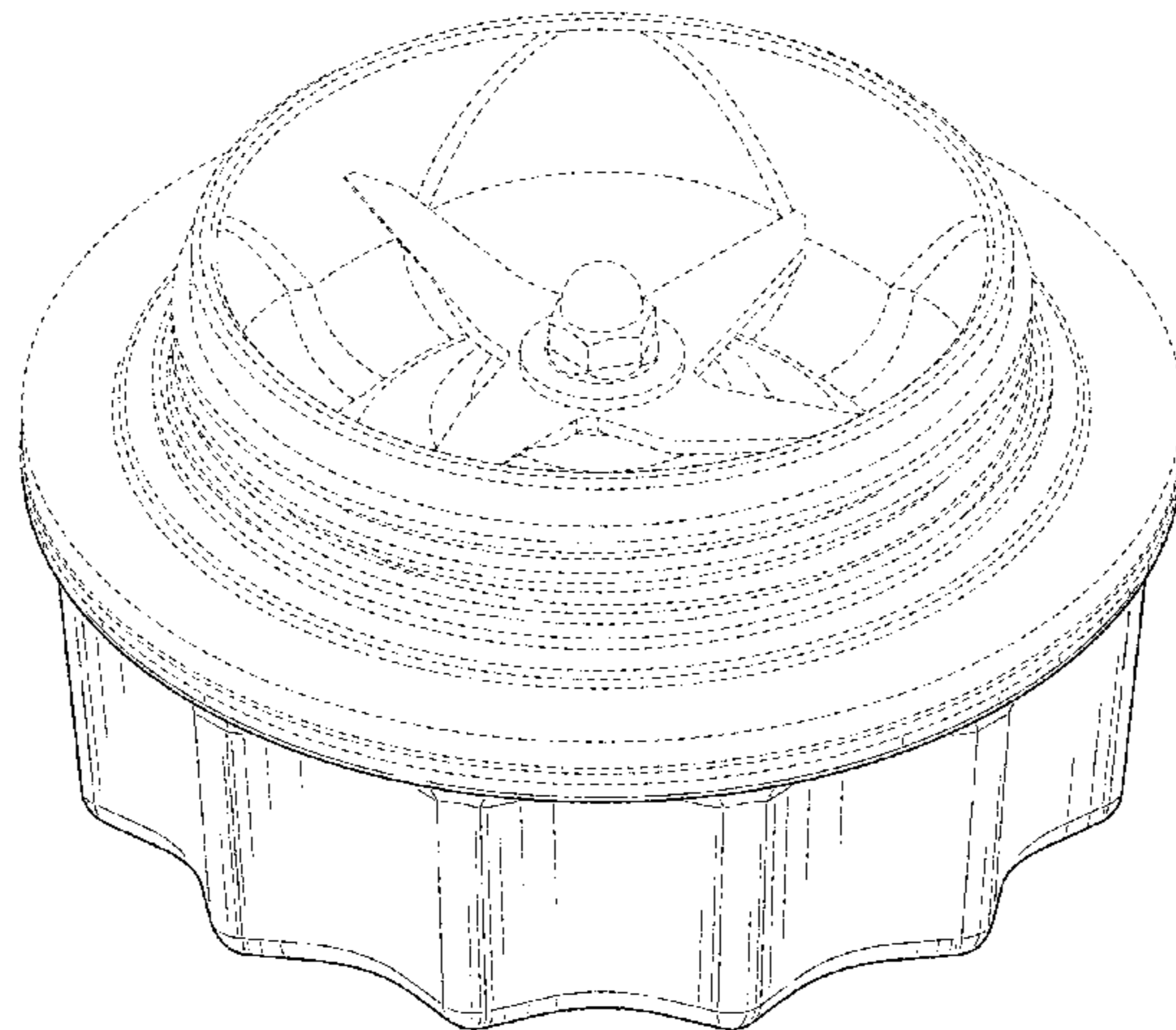
DESCRIPTION

FIG. 1 is a perspective view of a blade base showing our new design;
FIG. 2 is a front side view thereof;
FIG. 3 is a back side view thereof;
FIG. 4 is a first side view thereof;
FIG. 5 is a second side view thereof;
FIG. 6 is a top view thereof; and,
FIG. 7 is a bottom view thereof.
The broken line in the drawings depicts unclaimed portion of the blade base only and forms no part of the claimed design.

1 Claim, 5 Drawing Sheets

(56) **References Cited**
U.S. PATENT DOCUMENTS

D175,487 S * 8/1955 Young D8/397
D284,263 S * 6/1986 Resan 23/260
D284,266 S * 6/1986 Resan 23/260



(56)

References Cited

U.S. PATENT DOCUMENTS

D678,727 S 3/2013 Kolar et al.
D679,988 S * 4/2013 Yamazaki D8/397
8,529,120 B2 9/2013 Ulanski et al.
D710,411 S * 8/2014 Matsubara 15/139
D711,733 S * 8/2014 Whitmer D8/397
8,814,011 B2 8/2014 Ulanski et al.
D713,705 S * 9/2014 Mina D8/397
D713,715 S * 9/2014 Kury D8/397
D721,423 S * 1/2015 Jacques 23/260
D725,461 S * 3/2015 Kopp D8/397
D728,356 S * 5/2015 Kury D8/397
D738,685 S * 9/2015 Sands D7/376
D739,695 S * 9/2015 Chang D8/21
D748,464 S * 2/2016 Kury D8/397
D770,227 S * 11/2016 Crawford D7/412
D783,353 S * 4/2017 Smith D7/376
D800,498 S * 10/2017 Lee D7/412
D801,750 S * 11/2017 Boozer D7/413
D803,650 S * 11/2017 Umbrell D8/70
D806,528 S * 1/2018 Bada B25B 13/065
D8/397
2015/0265983 A1 9/2015 Fleming et al.

OTHER PUBLICATIONS

<https://www.amazon.com/dp/B07BGD5338>—Listed on Nov. 30, 2015.*

<https://www.amazon.com/dp/B00JS8S2IC>—Listed on Apr. 18, 2014.*

<https://www.amazon.com/dp/B077HF3PT2>—Listed on Nov. 15, 2017.*

* cited by examiner

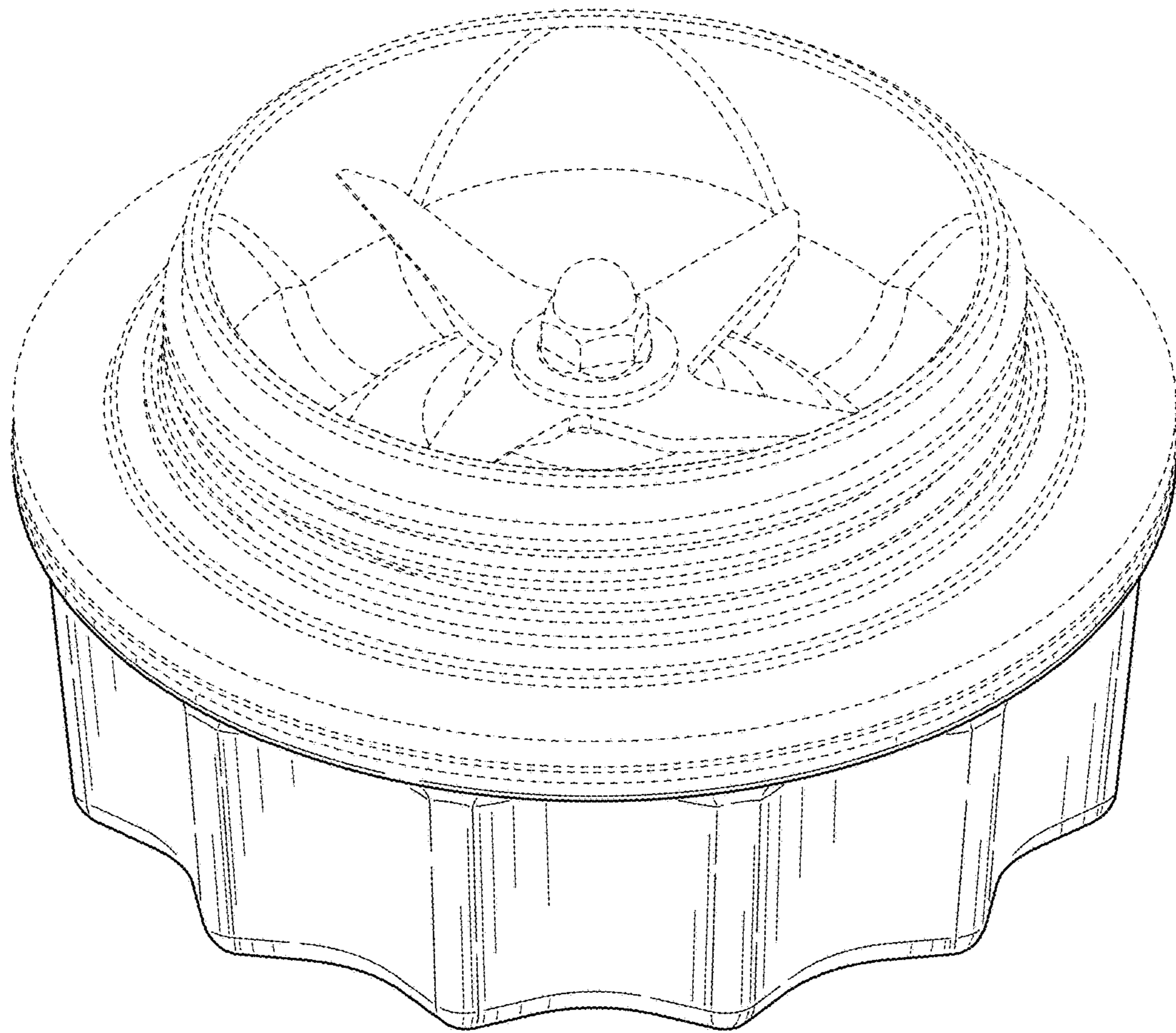


FIG. 1

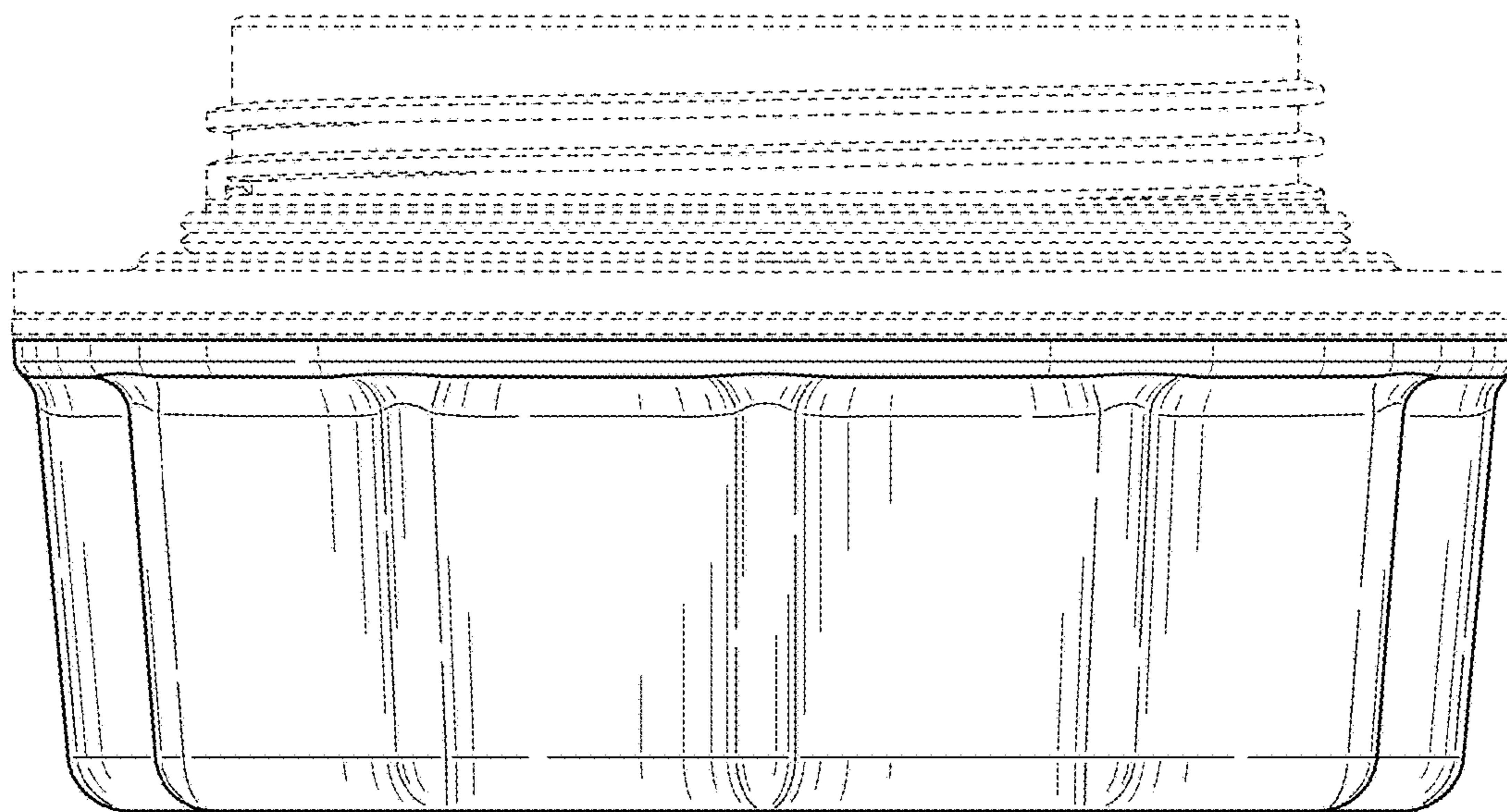


FIG. 2

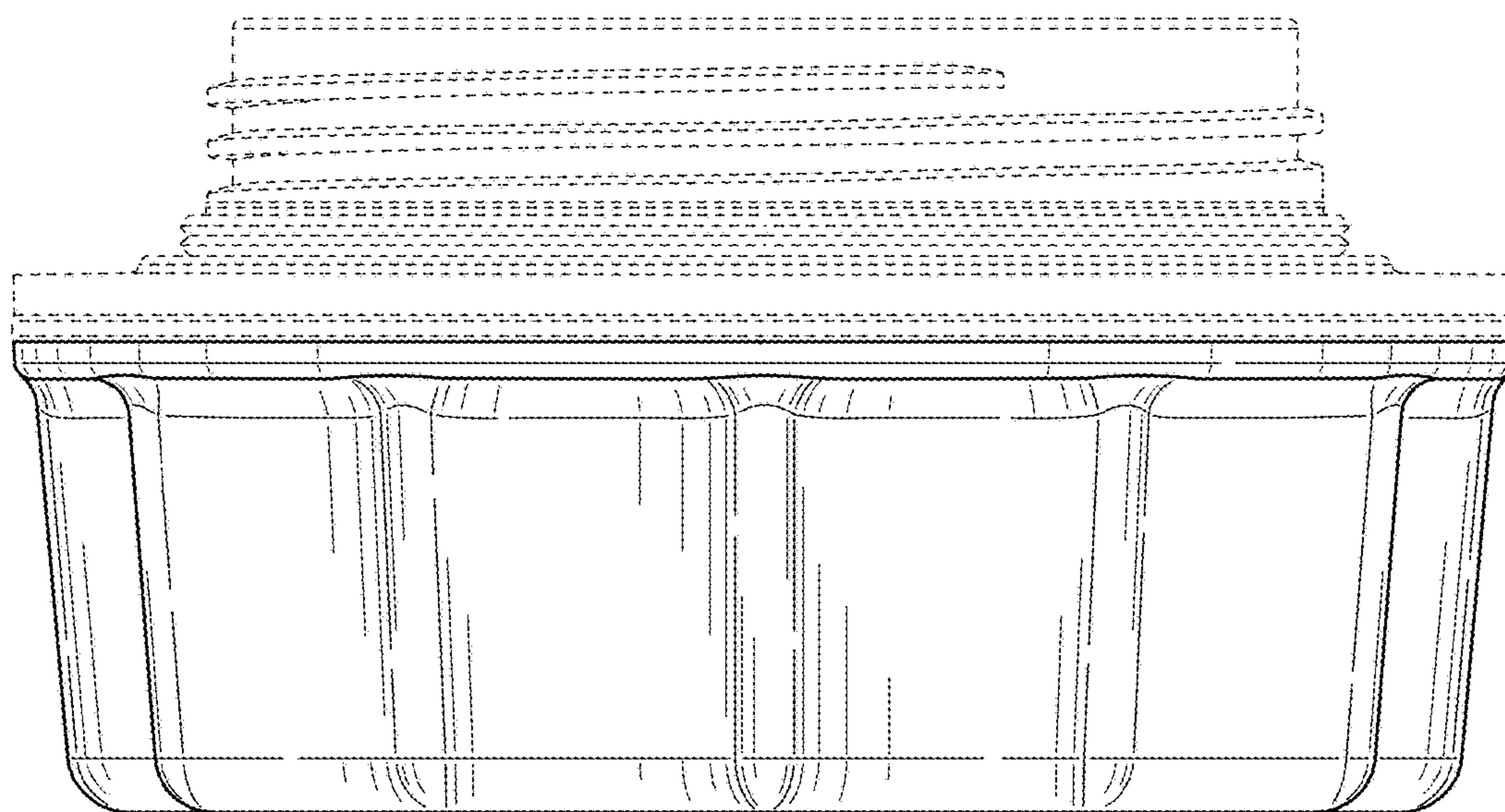


FIG. 3

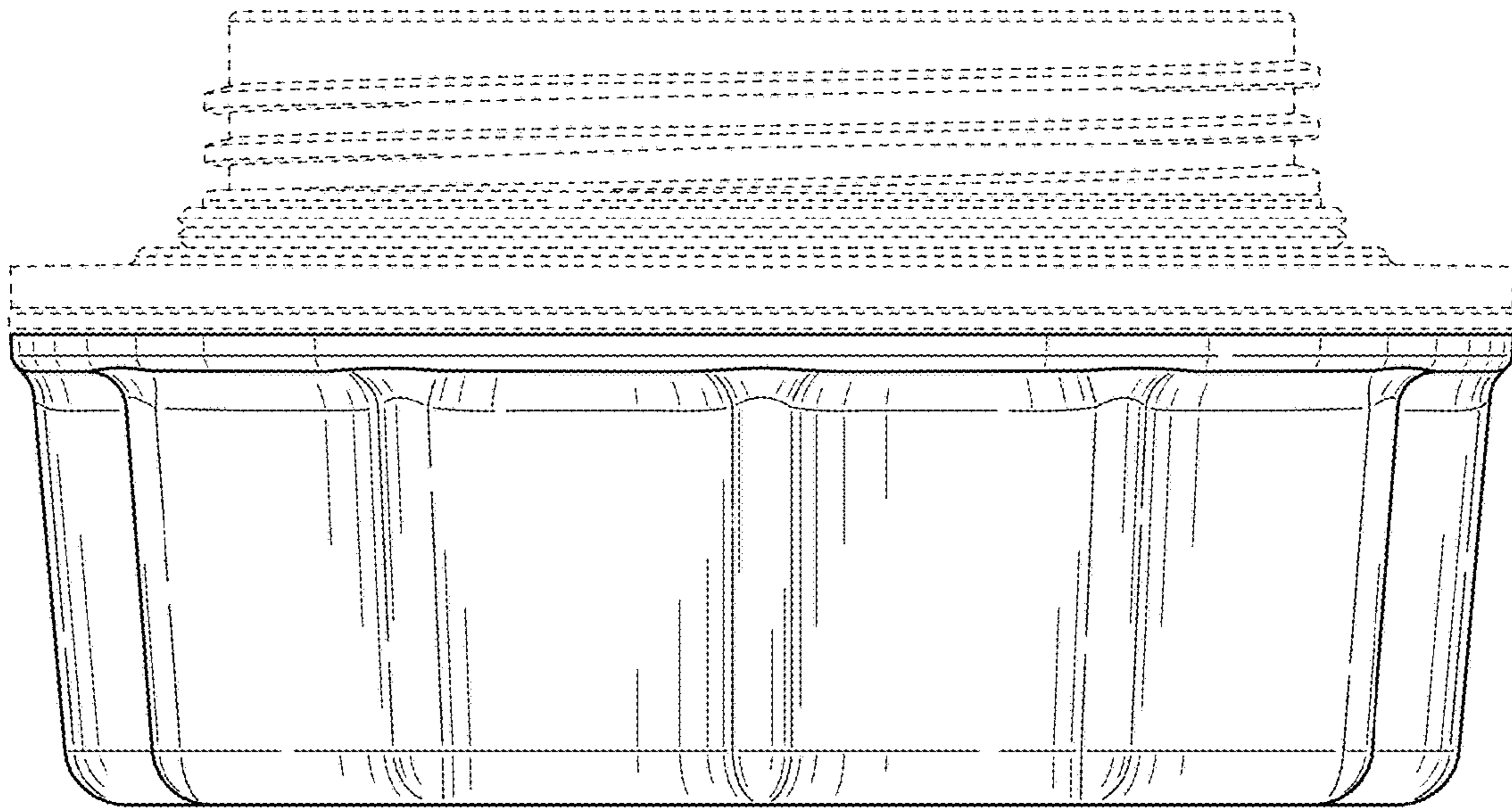


FIG. 4

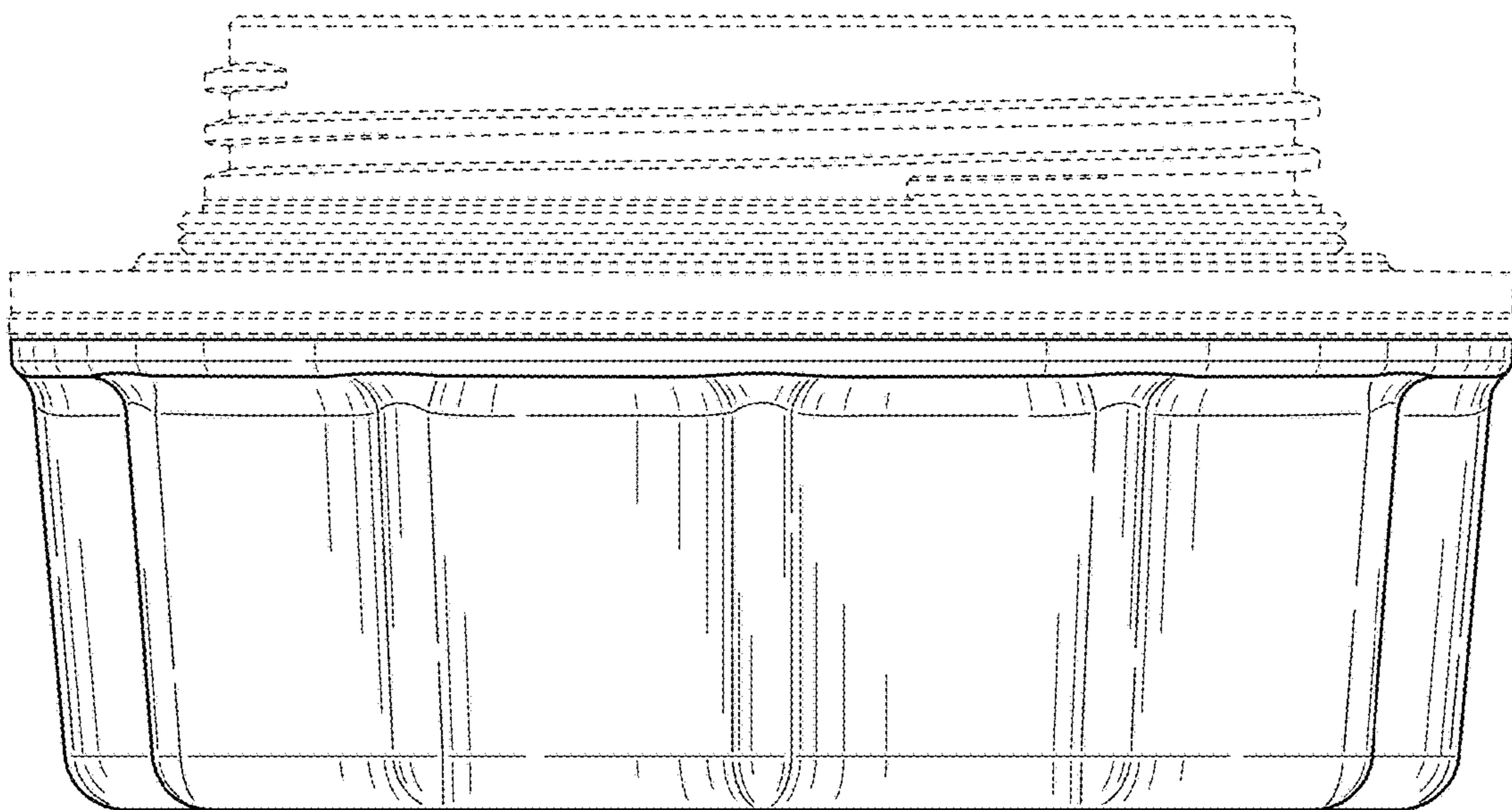


FIG. 5

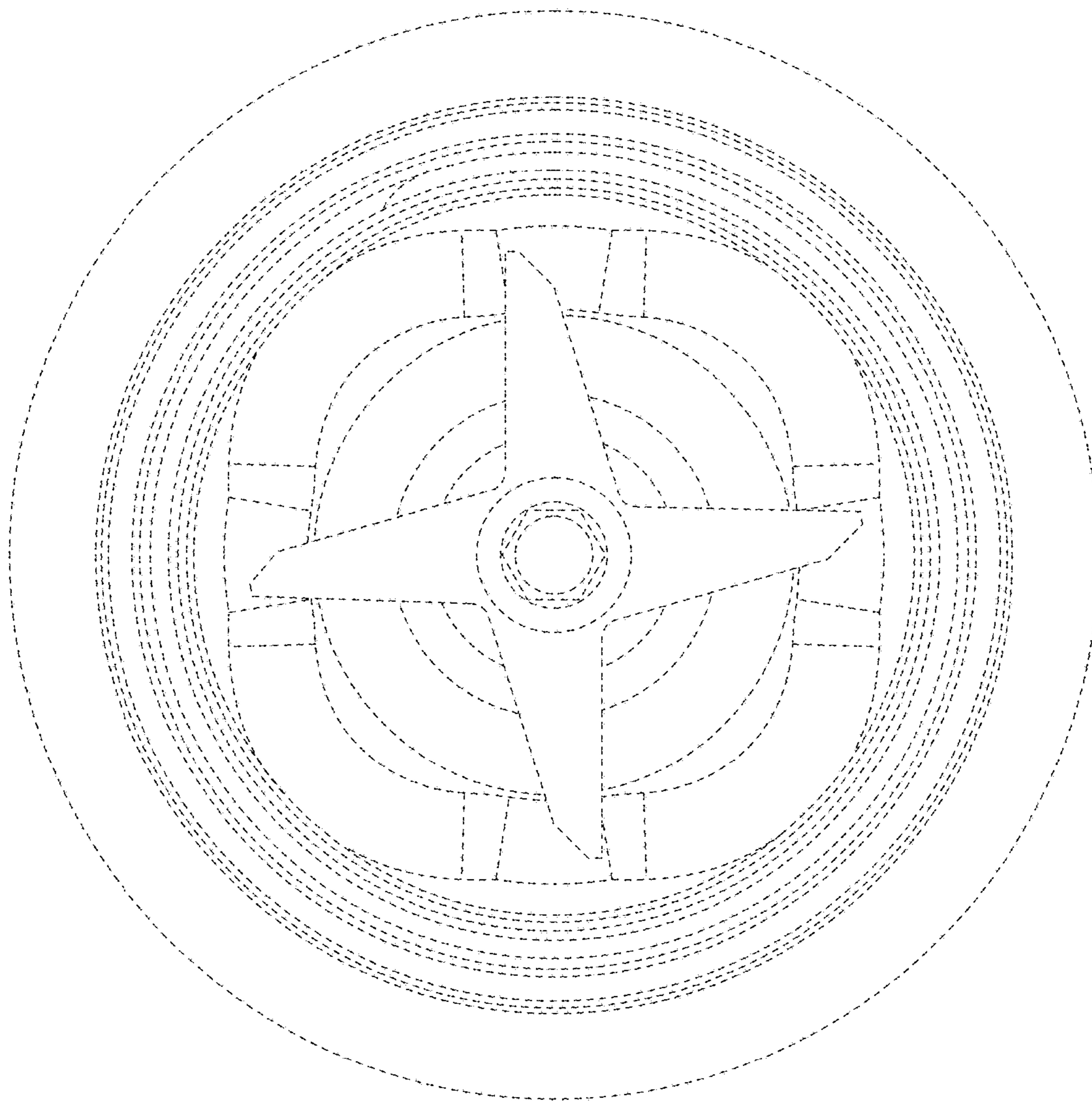


FIG. 6

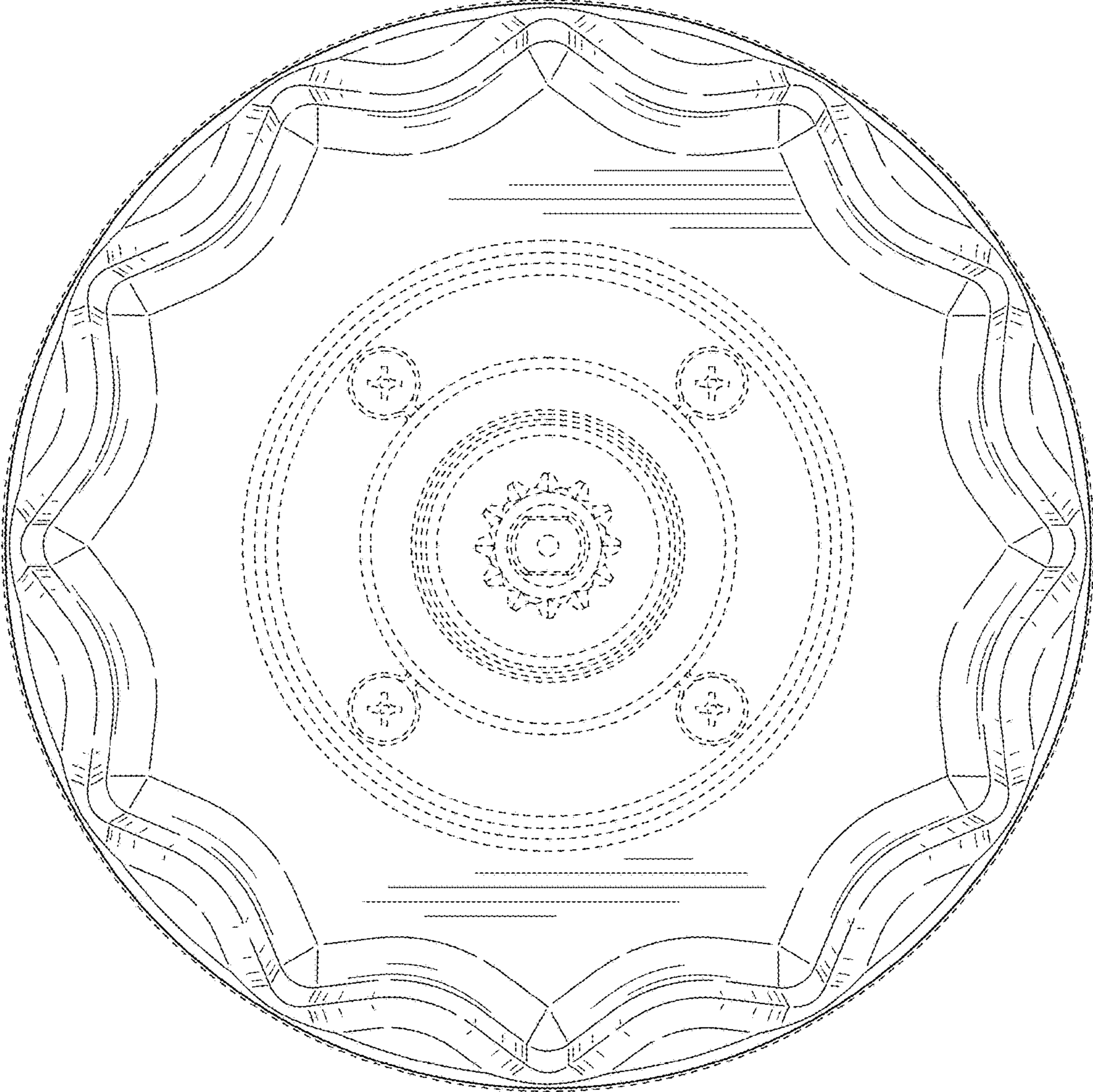


FIG. 7