

US00D839041S

(12) **United States Design Patent** (10) **Patent No.:** **US D839,041 S**
Vu et al. (45) **Date of Patent:** **** Jan. 29, 2019**

(54) **COFFEE GRINDER**

(56) **References Cited**

(71) Applicant: **DE'LONGHI BRAUN HOUSEHOLD GmbH**, Neu-Isenburg (DE)

U.S. PATENT DOCUMENTS

(72) Inventors: **Duy Phong Vu**, Schwalbach am Taunus (DE); **Sven Wuttig**, Griesheim (DE); **Dennis Müller**, Frankfurt am Main (DE); **Markus Orthey**, Eltville am Rhein (DE); **Julia Bassarek**, Frankfurt am Main (DE)

D242,892 S *	1/1977	Brown	D7/372
D339,502 S *	9/1993	Kamiyama	D7/372
D353,075 S *	12/1994	Littmann	D7/373
D391,441 S *	3/1998	Tanaka	D7/372
D402,779 S	12/1998	Gudefin	
D404,246 S *	1/1999	Arita	D7/372
D437,523 S *	2/2001	Glucksman	D7/373
D500,427 S *	1/2005	Fung	D7/373
D509,936 S	9/2005	Barquin Santillan	
D594,165 S	6/2009	Mizoguchi	
D594,166 S	6/2009	Mizoguchi	
D611,288 S	3/2010	Bodum	
D629,989 S	12/2010	Hoellerich et al.	
D629,991 S	12/2010	Day et al.	
D635,316 S	3/2011	Massip et al.	
D642,762 S	8/2011	Agren et al.	
D645,629 S	9/2011	Powell	
D646,863 S	10/2011	Hosoda et al.	
D653,905 S *	2/2012	Bodum	D7/373

(73) Assignee: **De'Longhi Braun Household GmbH**, Neu-Isenburg (DE)

(**) Term: **15 Years**

(21) Appl. No.: **29/618,712**

(22) Filed: **Sep. 22, 2017**

(30) **Foreign Application Priority Data**

Mar. 23, 2017 (EM) 003819713-0010

(51) **LOC (11) Cl.** **31-00**

(52) **U.S. Cl.**
USPC **D7/373; D7/372; D7/376**

(58) **Field of Classification Search**
USPC D7/372-373, 376-386, 412-413, 602, D7/629, 665-666, 669, 679, 693-694; D8/62

CPC .. A21C 1/02; A21C 1/04; A23G 9/045; A23N 1/00; A23N 1/02; A47J 43/04; A47J 43/25; A47J 43/27; A47J 43/042; A47J 43/044; A47J 43/046; A47J 43/06; A47J 43/075; A47J 43/0722; A47J 43/0727; B01F 3/00; B01F 3/0807; B01F 3/0853; B01F 13/0059; B01F 13/0064; B02C 1/08; B02C 2/04; B02C 4/42; B02C 4/142; B02C 4/143; B02C 4/423; B02C 13/1835; B28C 5/10; B28C 5/12; B28C 5/14; B28C 5/16

See application file for complete search history.

(Continued)

Primary Examiner — Ricky Pham

(74) *Attorney, Agent, or Firm* — Baker & Hostetler LLP

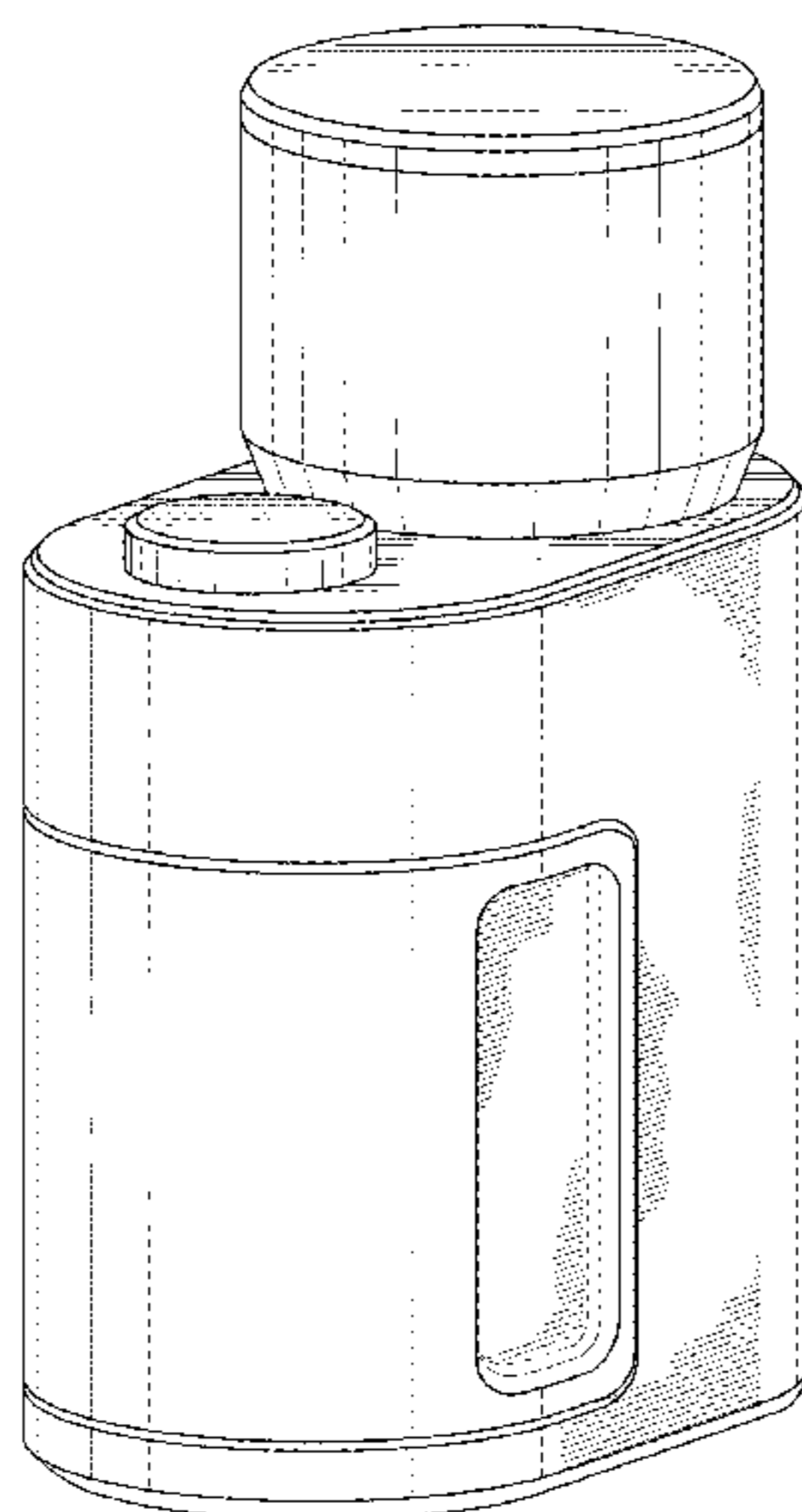
(57) **CLAIM**

We claim the ornamental design for a coffee grinder, as shown and described.

DESCRIPTION

FIG. 1 is a right side perspective view of a coffee grinder according to our new design;
FIG. 2 is a front elevation view thereof;
FIG. 3 is a back elevation view thereof;
FIG. 4 is a left side elevation view thereof;
FIG. 5 is a right side elevation view thereof;
FIG. 6 is a bottom plan view thereof; and,
FIG. 7 is a top plan view thereof.

1 Claim, 7 Drawing Sheets



(56)

References Cited

U.S. PATENT DOCUMENTS

D659,929	S	5/2012	Yan	
D668,413	S	10/2012	Smith	
D673,419	S	* 1/2013	De Pra	D7/373
D676,209	S	2/2013	Sirard	
D676,210	S	2/2013	Sirard	
D688,909	S	9/2013	Chapman et al.	
D694,059	S	* 11/2013	De Pra	D7/372
D708,409	S	7/2014	Renault	
D708,921	S	* 7/2014	Hoare	D7/372
D712,109	S	8/2014	Day et al.	
D715,012	S	10/2014	Ringholm et al.	
D718,512	S	11/2014	Whitney	
D728,886	S	5/2015	Whitney	
D734,582	S	7/2015	Umeda et al.	
D738,669	S	9/2015	Brook	
D739,108	S	9/2015	Orthey et al.	
D747,059	S	1/2016	Esteve	
D764,863	S	* 8/2016	Lee	D7/373
D773,144	S	11/2016	Tan	
D794,993	S	8/2017	Hand	
D796,142	S	8/2017	Miller et al.	
D799,772	S	10/2017	Choi	
D800,984	S	10/2017	Mueller et al.	
D804,893	S	* 12/2017	De' Longhi	D7/373
D811,148	S	2/2018	Harrod	
D814,222	S	4/2018	Bronwasser	
D815,482	S	4/2018	Bell et al.	
2008/0235998	A1	10/2008	Yeung et al.	
2010/0307034	A1	12/2010	Knott et al.	

* cited by examiner

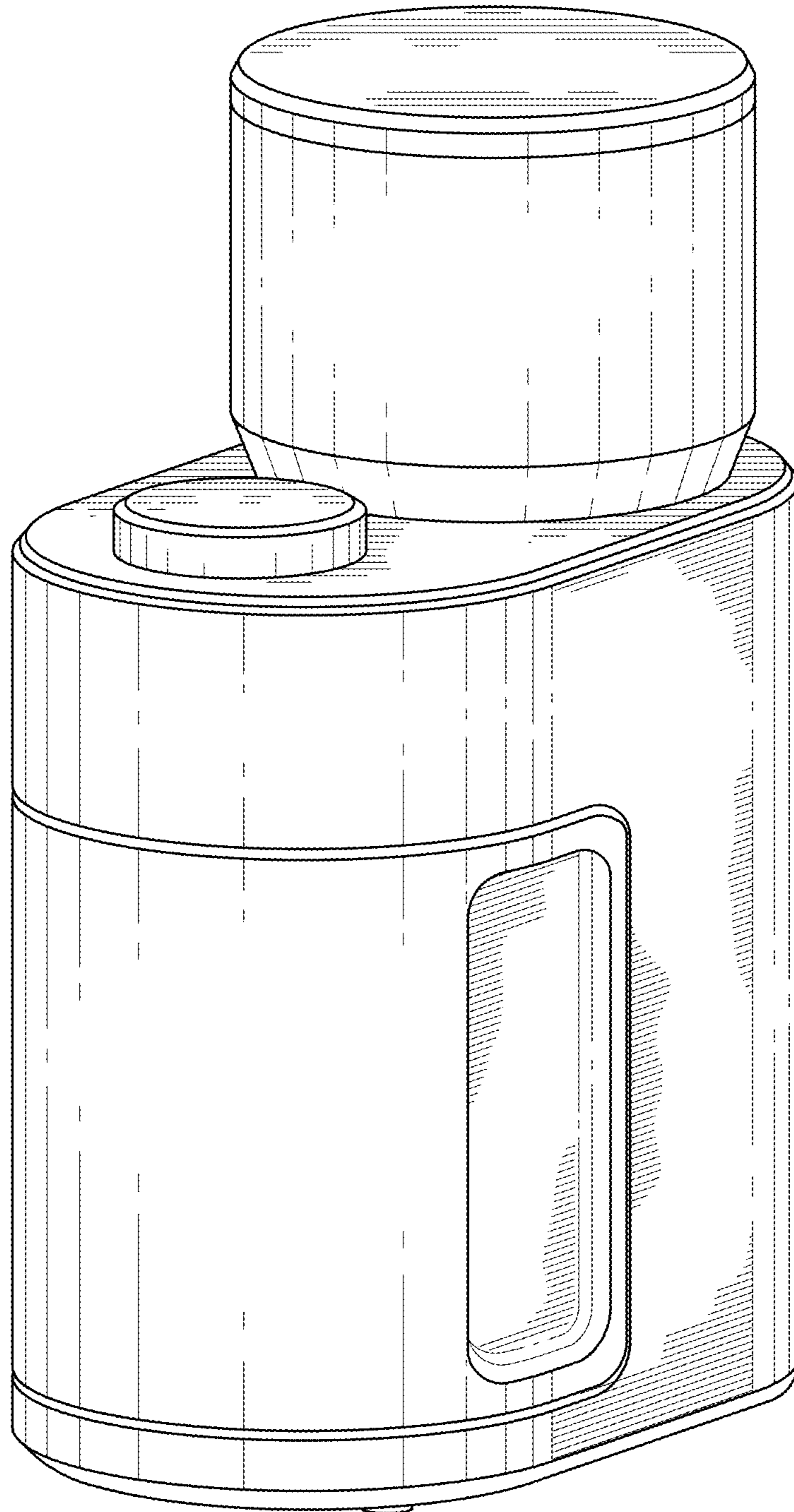


FIG. 1

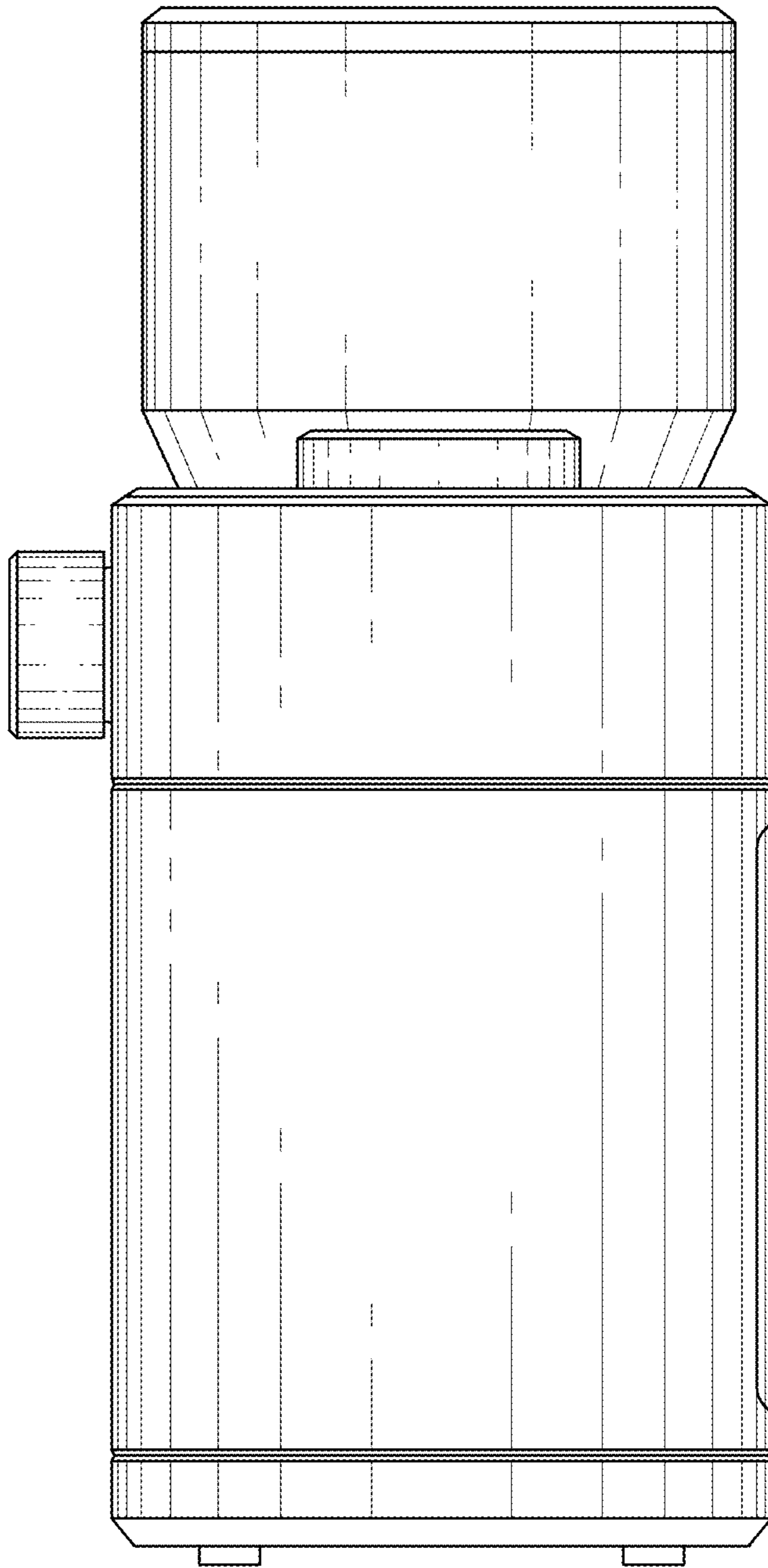


FIG. 2

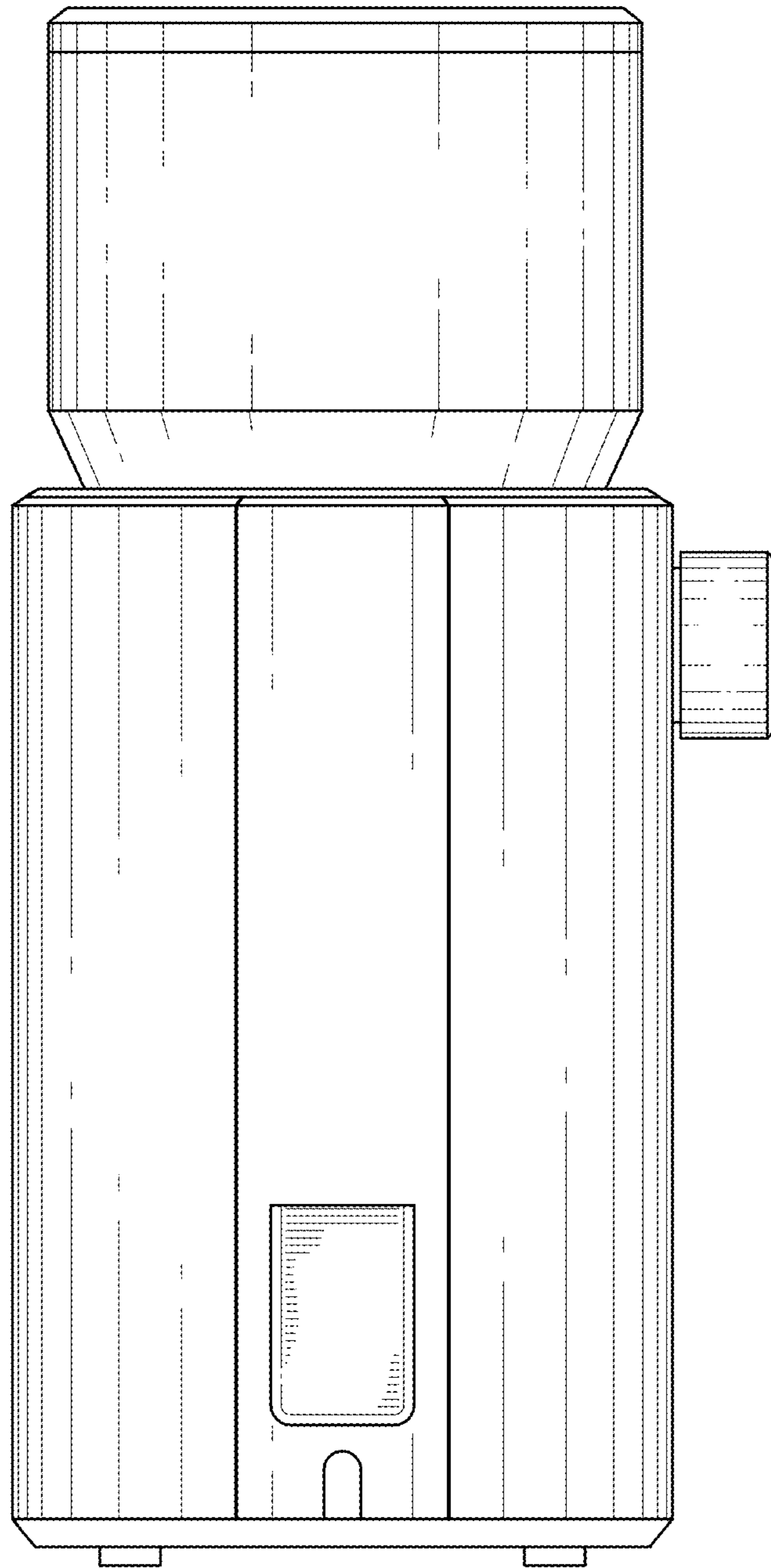


FIG. 3

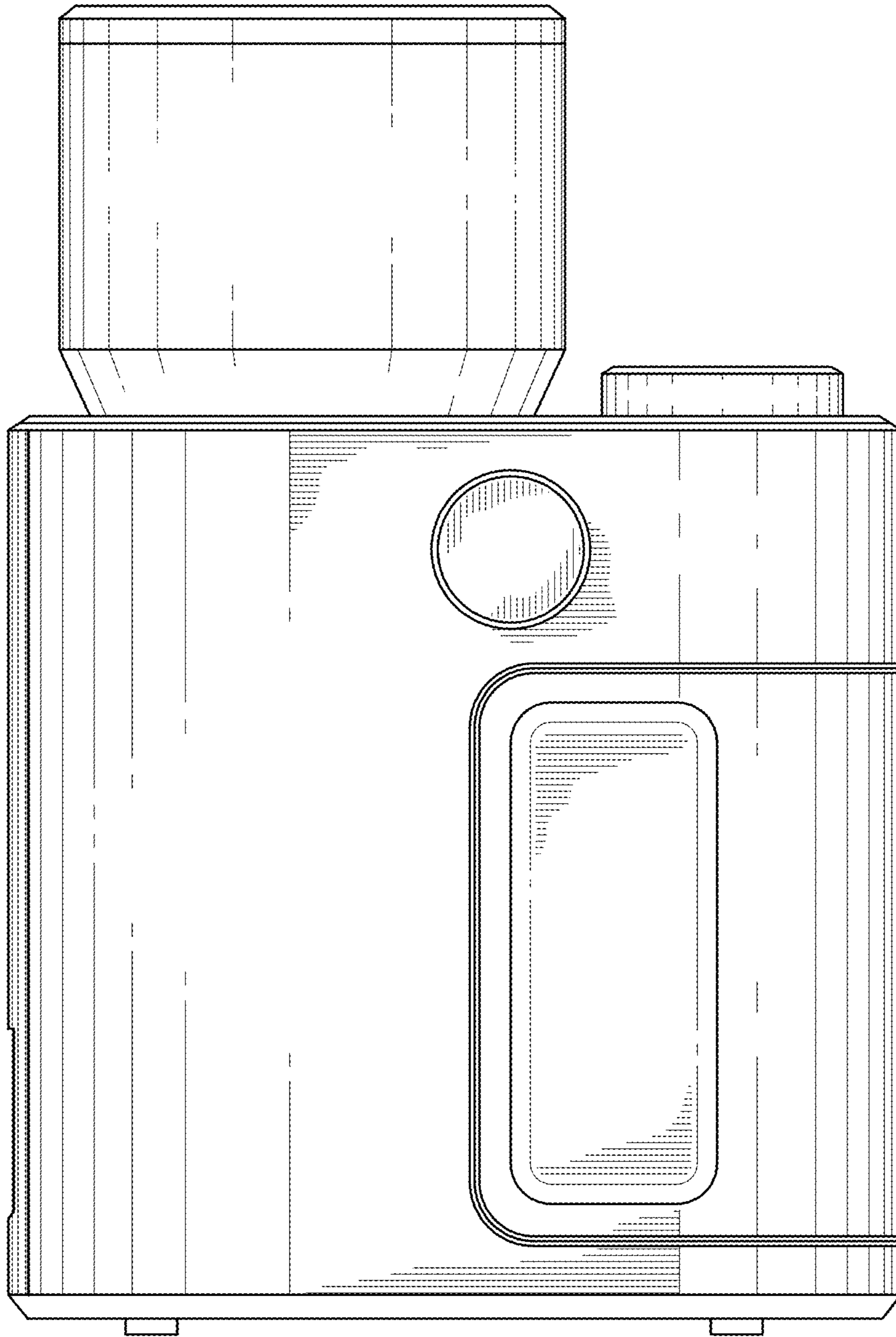


FIG. 4

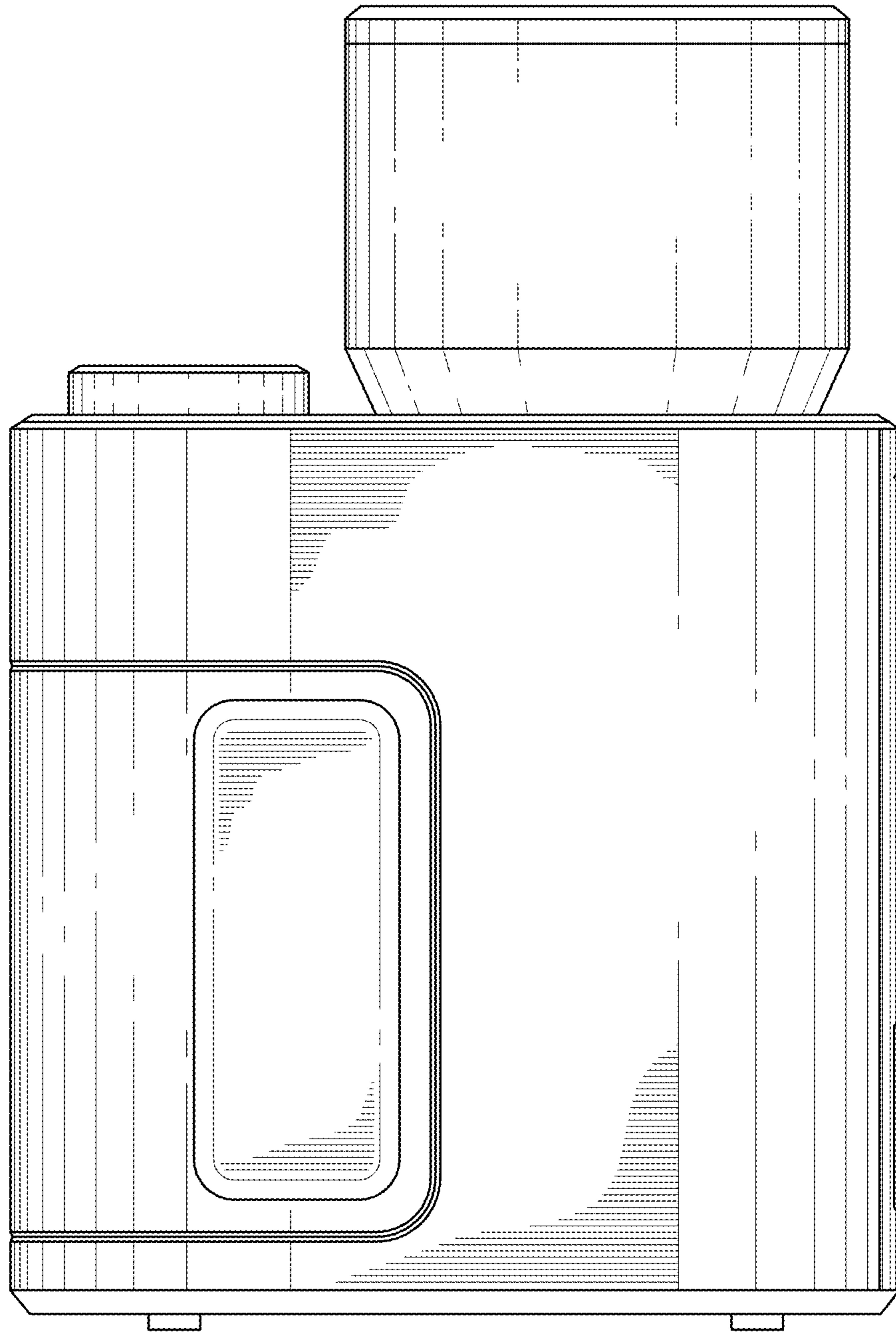


FIG. 5

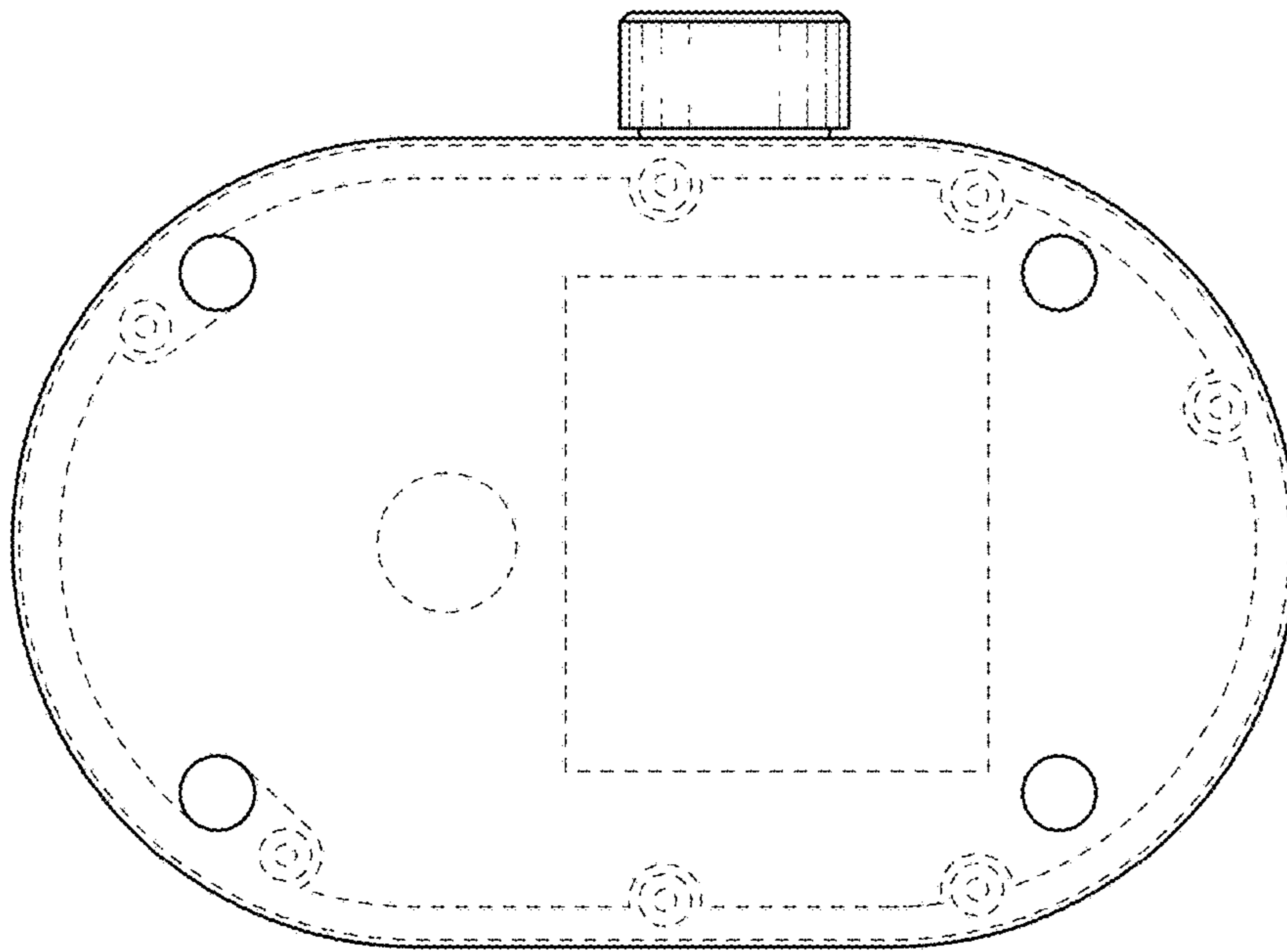


FIG. 6

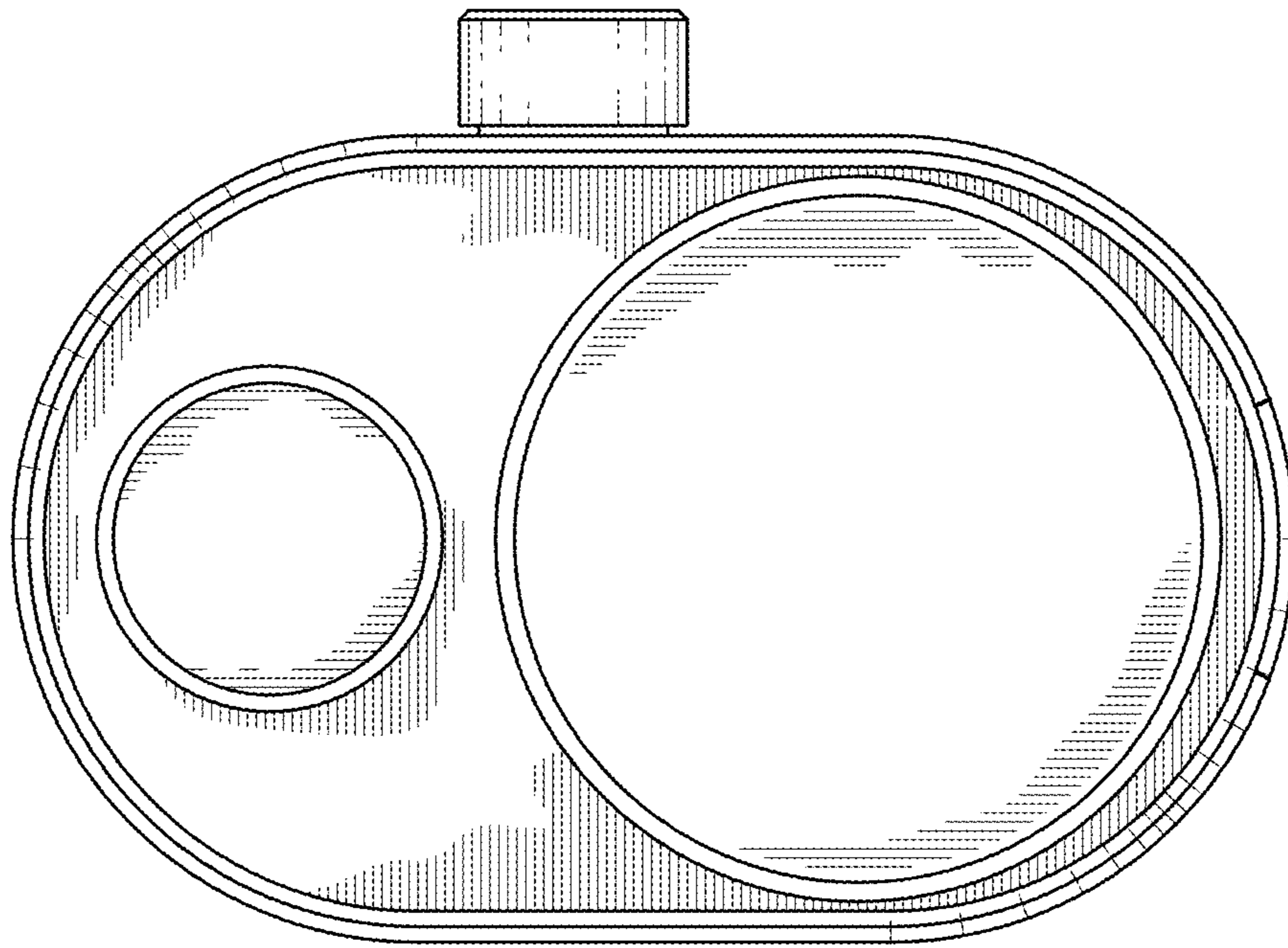


FIG. 7